



TEST REPORT

APPLICANT : BLU Products, Inc.
PRODUCT NAME : Smart Phone
MODEL NAME : M6
BRAND NAME : BOLD
FCC ID : YHLBOLDM6
STANDARD(S) : FCC 47CFR Part2(2.1093)
IEEE 1528-2013
RECEIPT DATE : 2020-01-15
TEST DATE : 2020-03-16 to 2020-03-20
ISSUE DATE : 2020-03-24

Edited by : Chen Hao
Chen Hao (Rapporteur)
Approved by: Peng Huarui
Peng Huarui (Supervisor)

NOTE: This document is issued by MORLAB, the test report shall not be reproduced except in full without prior written permission of the company. The test results apply only to the particular sample(s) tested and to the specific tests carried out which is available on request for validation and information confirmed at our website.





DIRECTORY

1. SAR Results Summary.....	6
2. Technical Information	7
2.1. Applicant and Manufacturer Information	7
2.2. Equipment Under Test (EUT) Description	7
2.3. Environment of Test Site/Conditions	9
3. Specific Absorption Rate (SAR)	10
3.1. Introduction	10
3.2. SAR Definition.....	10
4. RF Exposure Limits.....	11
5. Applied Reference Documents	12
6. SAR Measurement System.....	13
6.1. E-Field Probe.....	14
6.2. Data Acquisition Electronics (DAE)	15
6.3. Robot.....	16
6.4. Measurement Server	16
6.5. Light Beam Unit	17
6.6. Phantom.....	17
6.7. Device Holder	18
6.8. Data Storage and Evaluation	19
6.9. Test Equipment List	22
7. Tissue Simulating Liquids.....	24
8. SAR System Verification.....	26
8.1. Purpose of System Performance check.....	26
8.2. System Setup	26



8.3. Validation Results..... 27

9. EUT Testing Position..... 28

9.1. Handset Reference Points..... 28

9.2. Positioning for Cheek / Touch 29

9.3. Positioning for Ear / 15° Tilt 30

9.4. SAR Evaluations near the Mouth/Jaw Regions of the SAM Phantom 30

9.5. Body-worn Configurations..... 31

9.6. Hotspot Mode Exposure Position Conditions 31

10. Measurement Procedures 32

10.1. Spatial Peak SAR Evaluation 33

10.2. Power Reference Measurement..... 33

10.3. Area Scan Procedures 34

10.4. Zoom Scan Procedures 34

10.5. SAR Averaged Methods..... 34

10.6. Power Drift Monitoring..... 35

11. SAR Test Procedure 36

11.1. General scan Requirements..... 36

11.2. Test procedure 37

11.3. Description of interpolation/extrapolation scheme 37

11.4. Wireless Router..... 38

12. SAR Test Configuration 39

13. Conducted RF Output Power 49

14. Hot-Spot Mode Evaluation Procedure 69

14.1. EUT Antenna Location 69

15. Block diagram of the tests to be performed 71

15.1. Head 71

15.2. Body 72

16. Test Results List 73



16.1. Test Guidance	73
16.2. Head SAR Data	75
16.3. Body-worn SAR Data	78
16.4. Hotspot SAR Data	80
16.5. Repeated SAR Measurement	85
17. Simultaneous Transmission Evaluation	86
18. Uncertainty Assessment	91
Annex A General Information	94
Annex B Test Setup Photos	
Annex C Plots of System Performance Check	
Annex D Plots of Maximum SAR Test Results	
Annex E DASYS Calibration Certificate	



Changed History		
Version	Date	Reason for Change
1.0	2020-03-24	Original



1. SAR Results Summary

The maximum results of Specific Absorption Rate (SAR) found during test as bellows:

<Highest Reported standalone SAR Summary>

Frequency Band		Highest SAR Summary		
		Head (Gap 0mm)	Body-worn (Gap 10mm)	Hotspot (Gap 10mm)
		1g SAR (W/kg)		
GSM	GSM850	0.335	0.352	0.352
	GSM1900	0.055	0.729	0.946
WCDMA	WCDMA Band II	0.053	0.608	1.191
	WCDMA Band V	0.170	0.217	0.217
LTE	LTE Band 2	0.070	0.796	1.165
	LTE Band 4	0.065	0.737	1.184
	LTE Band 5	0.158	0.222	0.222
	LTE Band 7	0.141	0.609	1.092
	LTE Band 38	0.046	0.196	0.357
WLAN	2.4GHz WLAN	0.116	0.049	0.049
2.4GHz Band	Bluetooth (Estimated)	N/A	0.022	0.022

Max Scaled SAR _{1g} (W/Kg):	Head:	0.335 W/kg	Limit(W/kg): 1.6 W/kg
	Body Worn:	0.796 W/kg	
	Hotspot:	1.191 W/kg	

Highest Simultaneous Transmission SAR _{1g} (W/Kg):	1.213 W/kg	Limit(W/kg): 1.6 W/kg
--	------------	-----------------------

Note:

1. This device is in compliance with Specific Absorption Rate (SAR) for general population/ uncontrolled exposure limits (1.6W/kg as averaged over any 1 gram of tissue; specified in FCC 47 CFR part 2 (2.1093) and ANSI/IEEE C95.1-1992, and had been tested in accordance with the measurement methods and procedures specified in IEEE 1528-2013 and FCC KDB publications.
2. The Bluetooth 2.4GHz Band is estimated result.



2. Technical Information

Note: Provide by applicant.

2.1. Applicant and Manufacturer Information

Applicant:	BLU Products, Inc.
Applicant Address:	10814 NW 33rd St # 100 Doral, FL 33172,USA
Manufacturer:	BLU Products, Inc.
Manufacturer Address:	10814 NW 33rd St # 100 Doral, FL 33172,USA

2.2. Equipment Under Test (EUT) Description

EUT Name:	Smart Phone
Hardware Version:	FS170-MB-V0.3
Software Version:	BLU_M0030TT_V9.0.05.03_TIGO _4X2_GPS_PLS_1SIM_20200304-1025
Frequency Bands:	GSM 850: 824 MHz ~ 849 MHz GSM 1900: 1850 MHz ~ 1910 MHz WCDMA Band II: 1850 MHz ~ 1910 MHz WCDMA Band V: 824 MHz ~ 849 MHz LTE Band 2: 1850 MHz ~ 1910 MHz LTE Band 4: 1710 MHz ~ 1755 MHz LTE Band 5: 824 MHz ~ 849 MHz LTE Band 7: 2500 MHz ~ 2570 MHz LTE Band 38: 2570 MHz ~ 2620 MHz WLAN 2.4GHz: 2412 MHz ~ 2472 MHz Bluetooth: 2402 MHz ~ 2480 MHz
Modulation Mode:	GSM/GPRS: GMSK EDGE: 8PSK WCDMA: QPSK/16QAM LTE: QPSK/16QAM/64QAM 802.11b: DSSS 802.11a/g/n-HT20: OFDM BR+EDR: GFSK(1Mbps), $\pi/4$ -DQPSK(2Mbps), 8-DPSK(3Mbps) Bluetooth LE: GFSK(1Mbps)
Multi-slot Class:	GPRS: Multi-slot Class 12; EDGE: Multi-slot Class 12;
Operation Class:	Class B
Hotspot Mode:	WWAN/2.4GHz WLAN



Antenna Type:	WWAN: Fixed Internal WLAN: PIFA Antenna Bluetooth: PIFA Antenna
Battery:	4000mAh/3.85V
SIM Cards Description:	Single SIM card

Note: For a more detailed description, please refer to specification or user manual supplied by the applicant and/or manufacturer.

2.3. Environment of Test Site/Conditions

Normal Temperature (NT):	20 ... 25 °C
Relative Humidity:	30 ... 75 %
Air Pressure:	980 ... 1020 hPa

Test frequency:	GSM 850MHz/1900MHz; WCDMA Band II/V; FDD-LTE Band 2/4/5/7; TDD-LTE Band 38; WLAN 2.4GHz;
Operation mode:	Call established
Power Level:	GSM 850 MHz Maximum output power(level 5) GSM 1900MHz Maximum output power(level 0) WCDMA Band II/V (All Up Bits) FDD-LTE Band 2/4/5/7 (Maximum output power) TDD-LTE Band 38 (Maximum output power) WLAN 2.4GHz (Power setting=17)

During SAR test, EUT is in Traffic Mode (Channel Allocated) at Normal Voltage Condition. A communication link is set up with a System Simulator (SS) by air link, and a call is established.

The EUT shall use its internal transmitter. The antenna(s), battery and accessories shall be those specified by the Factory. The EUT battery must be fully charged and checked periodically during the test to ascertain uniform power output. If a wireless link is used, the antenna connected to the output of the base station simulator shall be placed at least 50 cm away from the handset. The signal transmitted by the simulator to the antenna feeding point shall be lower than the output power level of the handset by at least 35 dB.

3. Specific Absorption Rate (SAR)

3.1. Introduction

SAR is related to the rate at which energy is absorbed per unit mass in an object exposed to a radio field. The SAR distribution in a biological body is complicated and is usually carried out by experimental techniques or numerical modeling. The standard recommends limits for two tiers of groups, occupational/controlled and general population/uncontrolled, based on a person's awareness and ability to exercise control over his or her exposure. In general, occupational/controlled exposure limits are Middle than the limits for general population/uncontrolled.

3.2. SAR Definition

The SAR definition is the time derivative (rate) of the incremental energy (dW) absorbed by(dissipated in) an incremental mass (dm) contained in a volume element (dv) of a given density. (ρ). The equation description is as below:

$$SAR = \frac{d}{dt} \left(\frac{dW}{dm} \right) = \frac{d}{dt} \left(\frac{dW}{\rho dv} \right)$$

SAR is expressed in units of Watts per kilogram (W/kg)

SAR measurement can be either related to the temperature elevation in tissue by,

$$SAR = C \left(\frac{\delta T}{\delta t} \right)$$

Where C is the specific head capacity, δT is the temperature rise and δt the exposure duration, or related to the electrical field in the tissue by

$$SAR = \frac{\sigma |E|^2}{\rho}$$

Where σ is the conductivity of the tissue, ρ is the mass density of the tissue and $|E|$ is the rmselectrical field strength.

However for evaluating SAR of low power transmitter, electrical field measurement is typically applied.



4. RF Exposure Limits

Limits for General Population/Uncontrolled Exposure (W/kg)

Type Exposure	Uncontrolled Environment Limit
Spatial Peak SAR (1g cube tissue for head and trunk)	1.60W/kg
Spatial Peak SAR (10g cube tissue for limbs)	4.00W/kg
Spatial Peak SAR (1g cube tissue for whole body)	0.08W/kg

Note:

1. This limit is according to recommendation 1999/519/EC, Annex II (Basic Restrictions)
2. Occupational/Uncontrolled Environments are defined as locations where there is exposure that may be incurred by people who are aware of the potential for exposure, (i.e. as a result of employment or occupation)



5. Applied Reference Documents

Leading reference documents for testing:

No.	Identity	Document Title	Method determination /Remark
1	FCC 47CFR Part2(2.1093)	Radio Frequency Radiation Exposure Evaluation: Portable Devices	No deviation
2	IEEE 1528-2013	IEEE Recommended Practice for Determining the Peak Spatial-Average Specific Absorption Rate (SAR) in the Human Head from Wireless Communications Devices: Measurement Techniques	No deviation
3	KDB 447498 D01v06	General RF Exposure Guidance	No deviation
4	KDB 248227 D01v02r02	SAR Measurement Procedures for 802.11 Transmitters	No deviation
5	KDB 865664 D01v01r04	SAR Measurement 100 MHz to 6 GHz	No deviation
6	KDB 865664 D02v01r02	RF Exposure Reporting	No deviation
7	KDB 648474 D04v01r03	Handset SAR	No deviation
8	KDB 941225 D01v03r01	3G SAR MEAUREMENT PROCEDURES	No deviation
9	KDB 941225 D05v02r05	SAR Evaluation Consideration for LTE Devices	No deviation
10	KDB 941225 D06v02r01	SAR Evaluation Procedures For Portable Devices With Wireless Router Capabilities	No deviation

6. SAR Measurement System

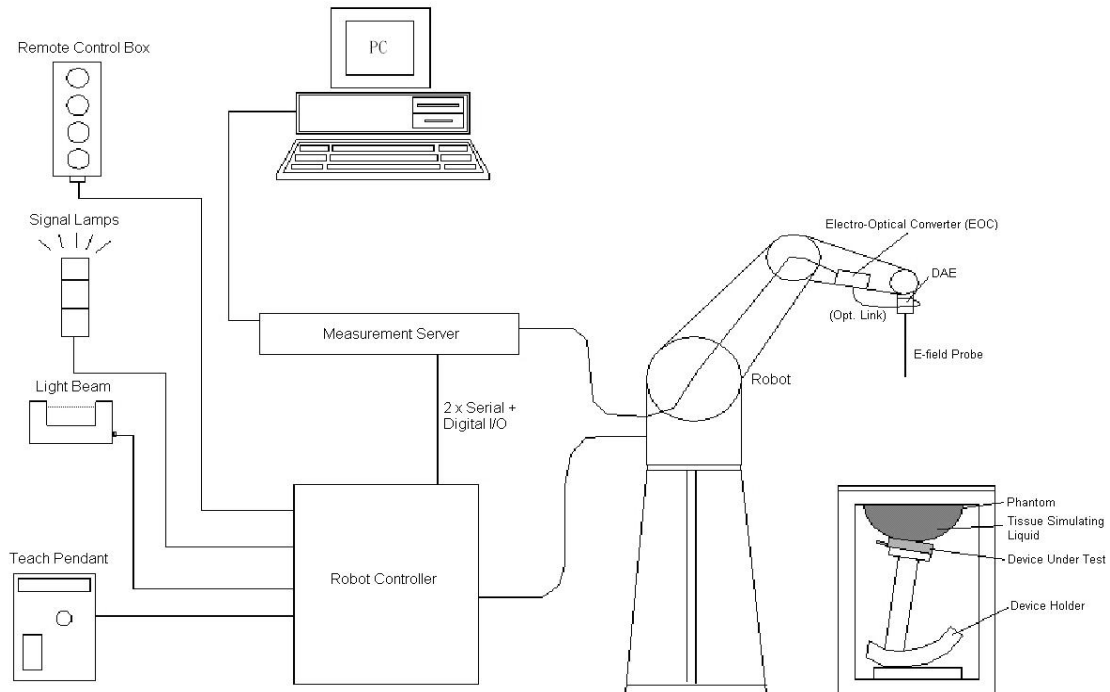


Fig 6.1 SPEAG DASY System Configurations

The DASY system for performance compliance tests is illustrated above graphically. This system consists of the following items:

A standard high precision 6-axis robot with controller, a teach pendant and software

A data acquisition electronic (DAE) attached to the robot arm extension

A dosimetric probe equipped with an optical surface detector system

The electro-optical converter (ECO) performs the conversion between optical and electrical signals

A measurement server performs the time critical tasks such as signal filtering, control of the robot operation and fast movement interrupts.

A probe alignment unit which improves the accuracy of the probe positioning

A computer operating Windows XP

DASY software

Remove control with teach pendant and additional circuitry for robot safety such as warning lamps, etc.

The SAM twin phantom

A device holder

Tissue simulating liquid

Dipole for evaluating the proper functioning of the system

Some of the components are described in details in the following sub-sections.

6.1. E-Field Probe

The SAR measurement is conducted with the dosimetric probe (manufactured by SPEAG). The probe is specially designed and calibrated for use in liquid with high permittivity. The dosimetric probe has special calibration in liquid at different frequency. This probe has a built in optical surface detection system to prevent from collision with phantom.

E-Field Probe Specification <ES3DV3 Probe>

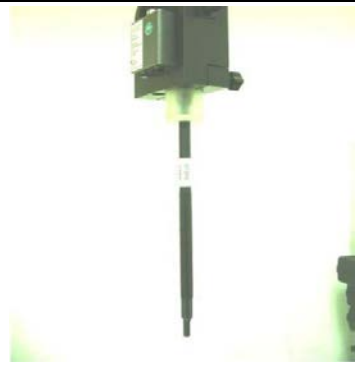
Construction	Symmetrical design with triangular core Built-in optical fiber for surface detection system. Built-in shielding against static charges. PEEK enclosure material (resistant to organic solvents, e.g., DGBE)	
Frequency	10 MHz to 3 GHz; Linearity: ± 0.2 dB	
Directivity	± 0.2 dB in HSL (rotation around probe axis) ± 0.4 dB in HSL (rotation normal to probe axis)	
Dynamic Range	5 μ W/g to 100 mW/g; Linearity: ± 0.2 dB	
Dimensions	Overall length: 330 mm (Tip: 16 mm) Tip diameter: 6.8 mm (Body: 12 mm) Distance from probe tip to dipole centers: 2.7 mm	

Fig 6.2 Photo of ES3DV3

<EX3DV4 Probe>


Construction	Symmetrical design with triangular core Built-in shielding against static charges PEEK enclosure material (resistant to organic solvents, e.g., DGBE)	
Frequency	10 MHz to 6 GHz; Linearity: ± 0.2 dB	
Directivity	± 0.3 dB in HSL (rotation around probe axis) ± 0.5 dB in tissue material (rotation normal to probe axis)	
Dynamic Range	10 μ W/g to 100 mW/g; Linearity: ± 0.2 dB	
Dimensions	Overall length: 330 mm (Tip: 20 mm) Tip diameter: 2.5 mm (Body: 12 mm) Typical distance from probe tip to dipole centers: 1 mm	

Fig 6.3 Photo of EX3DV4

E-Field Probe Calibration

Each probe needs to be calibrated according to a dosimetric assessment procedure with accuracy better than $\pm 10\%$. The spherical isotropy shall be evaluated and within ± 0.25 dB. The sensitivity parameters (NormX, NormY, and NormZ), the diode compression parameter (DCP) and the conversion factor (ConvF) of the probe are tested. The calibration data can be referred to Annex C of this report.

6.2. Data Acquisition Electronics (DAE)

The data acquisition electronics(DAE) consists of a highly sensitive electrometer-grade preamplifier with auto-zeroing, a channel and gain-switching multiplexer, a fast16 bit AD-converter and a command decoder and control logic unit. AD-converter and a command decoder and control logic unit. Transmission to the measurement server is accomplished through an optical reducedlink for data and status information as well as an optical uplink for commands and the clock. The input impedance of the DAE is 200M Ω ; the inputs are symmetrical and floating. Common mode rejection is above 80 dB.



Fig 6.4 Photo of DAE

6.3. Robot

The SPEAG DASY system uses the high precision robots (DASY4: RX90BL; DASY5: TX90XL) type from Stäubli SA (France). For the 6-axis controller system, the robot controller version (DASY4: CS7MB; DASY5: CS8c) from Stäubli is used. The Stäubli robot series have many features that are important for our application:

High precision (repeatability ± 0.035 mm)

High reliability (industrial design)

Jerk-free straight movements

Low ELF interference (the closed metallic construction shields against motor control fields)



Fig 6.5 Photo of DASY5

6.4. Measurement Server

The measurement server is based on a PC/104 CPU board with CPU (DASY4: 166 MHz, Intel Pentium;

DASY5: 400 MHz, Intel Celeron), chip disk (DASY4: 32 MB; DASY5: 128 MB), RAM (DASY4: 64 MB, DASY5: 128 MB). The necessary circuits for communication with the DAE electronic box, as well as the 16 bit AD converter system for optical detection and digital I/O interface are contained on the DASY I/O board, which is directly connected to the PC/104 bus of the CPU board.

The measurement server performs all the real-time data evaluation for field measurements and surface detection, controls robot movements and handles safety operations.



Fig 6.6 Photo of Server for DASY5

6.5. Light Beam Unit

The light beam switch allows automatic "tooling" of the probe. During the process, the actual position of the probe tip with respect to the robot arm is measured, as well as the probe length and the horizontal probe offset. The software then corrects all movements, such that the robot coordinates are valid for the probe tip.

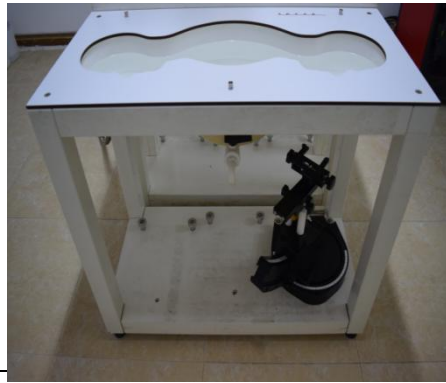
The repeatability of this process is better than 0.1 mm. If a position has been taught with an aligned probe, the same position will be reached with another aligned probe within 0.1 mm, even if the other probe has different dimensions. During probe rotations, the probe tip will keep its actual position.



Fig. 6.7 Photo of Light Beam

6.6. Phantom

<SAM Twin Phantom>

Shell Thickness	2 ± 0.2 mm (sagging: <1%) Center ear point: 6 ± 0.2 mm	
Filling Volume	Approx. 25 liters	
Dimensions	Length: 1000 mm; Width: 500 mm; Height: adjustable feet	
Measurement Areas	Left Hand, Right Hand, Flat Phantom	Fig 6.8 Photo of SAM Phantom

The bottom plate contains three pair of bolts for locking the device holder. The device holder positions are adjusted to the standard measurement positions in the three sections. A white cover is provided to tap the phantom during off-periods to prevent water evaporation and changes in the liquid parameters. On the phantom top, three reference markers are provided to identify the phantom position with respect to the robot.

6.7. Device Holder

<Device Holder for SAM Twin Phantom>

The SAR in the phantom is approximately inversely proportional to the square of the distance between the source and the liquid surface. For a source at 5 mm distance, a positioning uncertainty of ± 0.5 mm would produce a SAR uncertainty of ± 20 %. Accurate device positioning is therefore crucial for accurate and repeatable measurements. The positions in which the devices must be measured are defined by the standards.

The DASY device holder is designed to cope with different positions given in the standard. It has two scales for the device rotation (with respect to the body axis) and the device inclination (with respect to the line between the ear reference points). The rotation center for both scales is the ear reference point (EPR). Thus the device needs no repositioning when changing the angles.

The DASY device holder is constructed of low-loss POM material having the following dielectric parameters: relative permittivity $\epsilon = 3$ and loss tangent $\delta = 0.02$. The amount of dielectric material has been reduced in the closest vicinity of the device, since measurements have suggested that the influence of the clamp on the test results could thus be lowered.



Fig 6.9 Device Holder

<Laptop Extension Kit>

The extension is lightweight and made of POM, acrylic glass and foam. It fits easily on the upper part of the mounting device in place of the phone positioned. The extension is fully compatible with the SAM Twin and ELI phantoms.

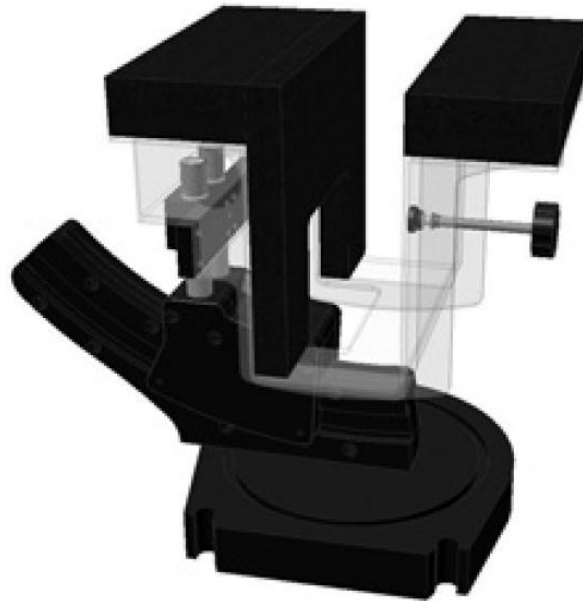


Fig 6.10 Laptop Extension Kit

6.8. Data Storage and Evaluation

Data Storage

The DASy software stores the assessed data from the data acquisition electronics as raw data (in microvolt readings from the probe sensors), together with all the necessary software parameters for the data evaluation (probe calibration data, liquid parameters and device frequency and modulation data) in measurement files. The post-processing software evaluates the desired unit and format for output each time the data is visualized or exported. This allows verification of the complete software setup even after the measurement and allows correction of erroneous parameter settings. For example, if a measurement has been performed with an incorrect crest factor parameter in the device setup, the parameter can be corrected afterwards and the data can be reevaluated.

The measured data can be visualized or exported in different units or formats, depending on the selected probe type (e.g., [V/m], [A/m], [mW/g]). Some of these units are not available in certain situations or give meaningless results, e.g., a SAR-output in a non-loss media, will always be zero. Raw data can also be exported to perform the evaluation with other software packages.

**Data Evaluation**

The DASY post-processing software (SEMCAD) automatically executes the following procedures to calculate the field units from the microvolt readings at the probe connector. The parameters used in the evaluation are stored in the configuration modules of the software.

Probe parameters:	- Sensitivity	Norm _i , a _{i0} , a _{i1} , a _{i2}
	- Conversion factor	ConvF _i
	- Diode compression point	dcp _i
Device parameters:	- Frequency	f
	- Crest factor	cf
Media parameters:	- Conductivity	σ
	- Density	ρ

These parameters must be set correctly in the software. They can be found in the component documents or they can be imported into the software from the configuration files issued for the DASY components. In the direct measuring mode of the multi-meter option, the parameters of the actual system setup are used. In the scan visualization and export modes, the parameters stored in the corresponding document files are used.

The first step of the evaluation is a linearization of the filtered input signal to account for the compression characteristics of the detector diode. The compensation depends on the input signal, the diode type and the DC-transmission factor from the diode to the evaluation electronics. If the exciting field is pulsed, the crest factor of the signal must be known to correctly compensate for peak power.

The formula for each channel can be given as:

$$V_i = U_i + U_i^2 \times \frac{cf}{dcp_i}$$

With
 V_i = compensated signal of channel i , ($i = x, y, z$)
 U_i = input signal of channel i , ($i = x, y, z$)
 cf = crest factor of exciting field (DASY parameter)
 dcp_i = diode compression point (DASY parameter)

From the compensated input signals, the primary field data for each channel can be evaluated:

$$\text{E-field Probes: } E_i = \sqrt{\frac{V_i}{\text{Norm}_i \times \text{ConvF}}}$$

$$\text{H-field Probes: } H_i = \sqrt{V_i} \times \frac{a_{i0} + a_{i1} + a_{i2}f^2}{f}$$



With V_i = compensated signal of channel i , ($i = x, y, z$)
Norm $_i$ = sensor sensitivity of channel i , ($i = x, y, z$), $\mu V/(V/m)^2$ for E-field
Probes ConvF = sensitivity enhancement in solution
 a_{ij} = sensor sensitivity factors for H-field probes
 f = carrier frequency [GHz]
 E_i = electric field strength of channel i in V/m
 H_i = magnetic field strength of channel i in A/m

The RSS value of the field components gives the total field strength (Hermitian magnitude):

$$E_{\text{tot}} = \sqrt{E_x^2 + E_y^2 + E_z^2}$$

The primary field data are used to calculate the derived field units.

$$\text{SAR} = E_{\text{tot}}^2 \times \frac{\sigma}{\rho \times 1000}$$

with SAR = local specific absorption rate in mW/g

E_{tot} = total field strength in V/m

σ = conductivity in [mho/m] or [Siemens/m]

ρ = equivalent tissue density in g/cm^3

Note that the density is set to 1, to account for actual head tissue density rather than the density of the tissue simulating liquid.



6.9. Test Equipment List

Manufacturer	Name of Equipment	Type/Model	Serial Number	Calibration	
				Last Cal.	Due Date
SPEAG	835MHz System Validation Kit	D835V2	4d227	2018.06.22	2021.06.21
SPEAG	1750MHz System Validation Kit	D1750V2	1160	2018.06.25	2021.06.24
SPEAG	1900MHz System Validation Kit	D1900V2	5d221	2018.06.22	2021.06.21
SPEAG	2450MHz System Validation Kit	D2450V2	805	2018.10.26	2021.10.25
SPEAG	2600MHz System Validation Kit	D2600V2	1139	2018.06.25	2021.06.24
SPEAG	Dosimetric E-Field Probe	EX3DV4	3823	2020.01.03	2021.01.02
SPEAG	Data Acquisition Electronics	DAE4	480	2019.04.11	2020.04.10
SPEAG	Dielectric Assessment KIT	DAK-3.5	1279	2019.11.03	2020.11.02
SPEAG	SAM Twin Phantom 1	QD 000 P40 CB	TP-1471	NCR	NCR
SPEAG	SAM Twin Phantom 2	QD 000 P40 CB	TP-1464	NCR	NCR
SPEAG	Phone Positioner	N/A	N/A	NCR	NCR
R&S	Network Emulator	CMW500	124534	2019.04.17	2020.04.16
Agilent	Network Analyzer	E5071B	MY42404762	2019.04.15	2020.04.14
mini-circuits	Amplifier	ZHL-42W+	608501717	NCR	NCR
Agilent	Signal Generator	N5182B	MY53050509	2019.04.17	2020.04.16
Agilent	Power Sensor	N8482A	MY41090849	2019.10.28	2020.10.27
Agilent	Power Meter	E4416A	MY45102093	2019.10.28	2020.10.27
Anritsu	Power Sensor	MA2411B	N/A	2019.10.28	2020.10.27
Anritsu	Power Meter	NRVD	101066	2019.10.28	2020.10.27
Agilent	Dual Directional Coupler	778D	50422	NA	NA
MCL	Attenuation1	351-218-010	N/A	NA	NA
THERMOMETER	Thermo meter	DC-803	N/A	2019.11.22	2020.11.21
N/A	Tissue Simulating Liquids	800-2600MHZ	N/A	24H	

Note:

1. The calibration certificate of DASY can be referred to Annex E of this report.
2. The Insertion Loss calibration of Dual Directional Coupler and Attenuator were characterized via the network analyzer and compensated during system check.
3. The dielectric probe kit was calibrated via the network analyzer, with the specified procedure (calibrated in pure water) and calibration kit (standard) short circuit, before the dielectric measurement. The specific procedure and calibration kit are provided by Speag.
4. In system check we need to monitor the level on the power meter, and adjust the power amplifier level to have precise power level to the dipole; the measured SAR will be normalized to 1W input power



according to the ratio of 1W to the input power to the dipole. For system check, the calibration of the power amplifier is deemed not critically required for correct measurement; the power meter is critical and we do have calibration for it

5. Attenuator insertion loss is calibrated by the network Analyzer, which the calibration is valid, before system check.
6. N.C.R means No Calibration Requirement.

7. Tissue Simulating Liquids

For SAR measurement of the field distribution inside the phantom, the phantom must be filled with homogeneous tissue simulating liquid to a depth of at least 15cm. For head SAR testing, the liquid height from the ear reference point(ERP)of the phantom to the liquid top surface is larger than 15cm. For body SAR testing, the liquid height from the center of the flat phantom to the liquid top surface is larger than 15cm, which is shown in Fig. 7.2. The nominal dielectric values of the tissue simulating liquids in the phantom and the tolerance of 5% are listed in below table.

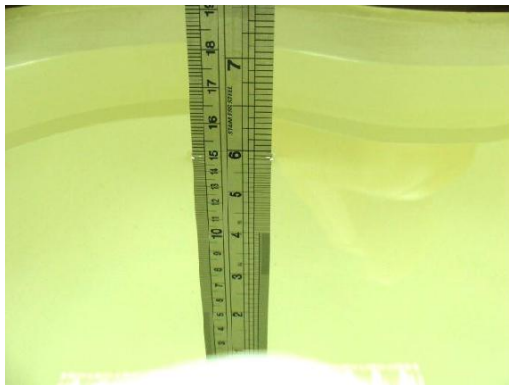


Fig 7.1 Photo of Liquid Height for Head SAR



Fig 7.2 Photo of Liquid Height for Body SAR

The following table gives the recipes for tissue simulating liquids

Frequency (MHz)	Water (%)	Sugar (%)	Cellulose (%)	Salt (%)	Preventol (%)	DGBE (%)	Conductivity (σ)	Permittivity (ϵ_r)
Head								
750	41.1	57.0	0.2	1.4	0.2	0	0.89	41.9
835	40.3	57.9	0.2	1.4	0.2	0	0.90	41.5
1800, 1900, 2000	55.2	0	0	0.3	0	44.5	1.40	40.0
2450	55.0	0	0	0	0	45.0	1.80	39.2
2600	54.8	0	0	0.1	0	45.1	1.96	39.0
Body								
750	51.7	47.2	0	0.9	0.1	0	0.96	55.5
835	50.8	48.2	0	0.9	0.1	0	0.97	55.2
1800, 1900, 2000	70.2	0	0	0.4	0	29.4	1.52	53.3
2450	68.6	0	0	0	0	31.4	1.95	52.7
2600	68.1	0	0	0.1	0	31.8	2.16	52.5

Simulating Liquid for 5GHz, Manufactured by SPEAG

Ingredients	(% by weight)
Water	64~78%
Mineral oil	11~18%
Emulsifiers	9~15%
Additives and Salt	2~3%

Note: Please refer to the validation results for dielectric parameters of each frequency band.

The dielectric properties of the tissue simulating liquids were verified prior to the SAR evaluation using an Agilent 85033E Dielectric Probe Kit and an Agilent Network Analyzer.



Table 1: Dielectric Performance of Tissue Simulating Liquid

Frequency (MHz)	Tissue Type	Liquid Temp. (°C)	Conductivity (σ)	Conductivity Target (σ)	Delta (σ) (%)	Limit (%)	Date
835	HSL	22.1	0.912	0.90	1.33	±5	2020/3/16
1750	HSL	22.4	1.381	1.37	0.80	±5	2020/3/20
1900	HSL	22.3	1.397	1.40	-0.21	±5	2020/3/18
2450	HSL	22.4	1.828	1.80	1.56	±5	2020/3/19
2600	HSL	22.2	1.986	1.96	1.33	±5	2020/3/17
Frequency (MHz)	Tissue Type	Liquid Temp. (°C)	Permittivity (ϵ_r)	Permittivity Target (ϵ_r)	Delta (ϵ_r) (%)	Limit (%)	Date
835	HSL	22.1	41.366	41.50	-0.32	±5	2020/3/16
1750	HSL	22.4	40.097	40.10	-0.01	±5	2020/3/20
1900	HSL	22.3	40.033	40.00	0.08	±5	2020/3/18
2450	HSL	22.4	39.588	39.20	0.99	±5	2020/3/19
2600	HSL	22.2	39.149	39.00	0.38	±5	2020/3/17

Note:

According to the TCB Workshop in April 2019, FCC permitted the use of single head-tissue simulating liquid specified in IEC 62209-1 for all SAR tests

8. SAR System Verification

Each DASY system is equipped with one or more system validation kits. These units, together with the predefined measurement procedures within the DASY software, enable the user to conduct the system performance check and system validation. System validation kit includes a dipole, tripod holder to fix it underneath the flat phantom and a corresponding distance holder.

8.1. Purpose of System Performance check

The system performance check verifies that the system operates within its specifications. System and operator errors can be detected and corrected. It is recommended that the system performance check be performed prior to any usage of the system in order to guarantee reproducible results. The system performance check uses normal SAR measurements in a simplified setup with a well characterized source. This setup was selected to give a high sensitivity to all parameters that might fail or vary over time. The system check does not intend to replace the calibration of the components, but indicates situations where the system uncertainty is exceeded due to drift or failure.

8.2. System Setup

The output power on dipole port must be calibrated to 24 dBm (250 mW) before dipole is connected. In the simplified setup for system evaluation, the DUT is replaced by a calibrated dipole and the power source is replaced by a continuous wave which comes from a signal generator. The calibrated dipole must be placed beneath the flat phantom section of the SAM twin phantom with the correct distance holder. The distance holder should touch the phantom surface with a light pressure at the reference marking and be oriented parallel to the long side of the phantom. The system check verifies that the system operates within its specifications. It is performed daily or before every SAR measurement. The system check uses normal SAR measurements in the flat section of the phantom with a matched dipole at a specified distance. The system verification setup is shown as below.



Fig 8.1 Photo of Dipole Setup

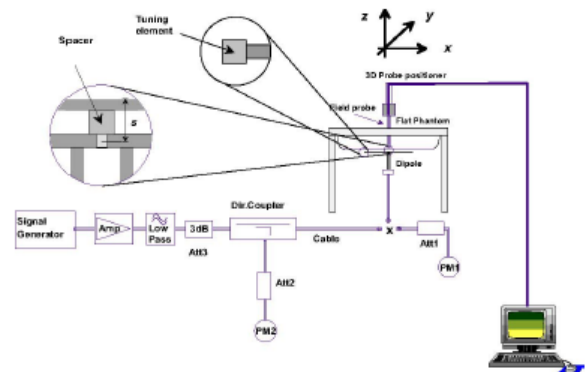


Fig 8.2 System Setup for System Evaluation



8.3. Validation Results

After system check testing, the SAR result will be normalized to 1W forward input power and compared with the reference SAR value derived from validation dipole certificate report. The deviation of system check should be within 10 %.

<Validation Setup>

Frequency (MHz)	Tissue Type	Input Power (mW)	Dipole S/N	Probe S/N	DAE S/N
835	HSL	250	D835V2-4d227	3823	480
1750	HSL	250	D1750V2-1160	3823	480
1900	HSL	250	D1900V2_5d221	3823	480
2450	HSL	250	D2450V2-805	3823	480
2600	HSL	250	D2600V2-1139	3823	480

<Validation Results>

Date	Frequency (MHz)	Tissue Type	Input Power (mW)	Measured 1g SAR (W/kg)	Targeted 1g SAR (W/kg)	Normalized 1g SAR (W/kg)	Deviation (%)
2020/3/16	835	HSL	250	2.31	9.34	9.24	-1.07
2020/3/20	1750	HSL	250	9.18	37.10	36.72	-1.02
2020/3/18	1900	HSL	250	9.82	39.50	39.28	-0.56
2020/3/19	2450	HSL	250	13.09	52.00	52.36	0.69
2020/3/17	2600	HSL	250	13.49	54.00	53.96	-0.07

Date	Frequency (MHz)	Tissue Type	Input Power (mW)	Measured 10g SAR (W/kg)	Targeted 10g SAR (W/kg)	Normalized 10g SAR (W/kg)	Deviation (%)
2020/3/16	835	HSL	250	1.52	6.07	6.08	0.16
2020/3/20	1750	HSL	250	4.97	20.00	19.88	-0.60
2020/3/18	1900	HSL	250	5.21	20.60	20.84	1.17
2020/3/19	2450	HSL	250	6.11	24.10	24.44	1.41
2020/3/17	2600	HSL	250	6.22	24.50	24.88	1.55

Note: System checks the specific test data please see Annex C

9. EUT Testing Position

This EUT was tested in six different positions. They are right cheek/right tilted/left cheek/left tilted for head, Front/Back of the EUT with phantom 10 mm gap, as illustrated below, please refer to Annex B for the test setup photos.

9.1. Handset Reference Points

The vertical centre line passes through two points on the front side of the handset – the midpoint of the width w_t of the handset at the level of the acoustic output, and the midpoint of the width w_b of the bottom of the handset.

The horizontal line is perpendicular to the vertical centre line and passes the center of the acoustic output. The horizontal line is also tangential to the handset at point A.

The two lines intersect at point A. Note that for many handsets, point A coincides with the center of the acoustic output; however, the acoustic output may be located elsewhere on the horizontal line. Also note that the vertical centre line is not necessarily parallel to the front face of the handset, especially for clamshell handsets, handsets with flip covers, and other irregularly shaped handsets.



Fig. 9.1 Illustration for Cheek Position

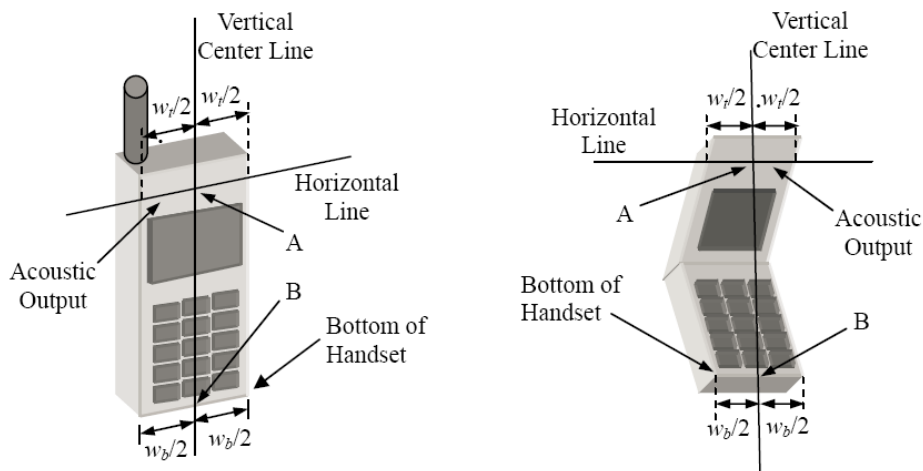


Fig. 9.2 Illustration for Handset Vertical and Horizontal Reference Lines

9.2. Positioning for Cheek / Touch

To position the device with the vertical center line of the body of the device and the horizontal line crossing the center piece in a plane parallel to the sagittal plane of the phantom. While maintaining the device in this plane, align the vertical center line with the reference plane containing the three ear and mouth reference point (M: Mouth, RE: Right Ear and LE: Left Ear) and align the center of the ear piece with the line RE-LE.

To move the device towards the phantom with the ear piece aligned with the line LE-RE until the phone touched the ear. While maintaining the device in the reference plane and maintaining the phone contact with the ear, move the bottom of the phone until any point on the front side is in contact with the cheek of the phantom or until contact with the ear is lost (see below figure)

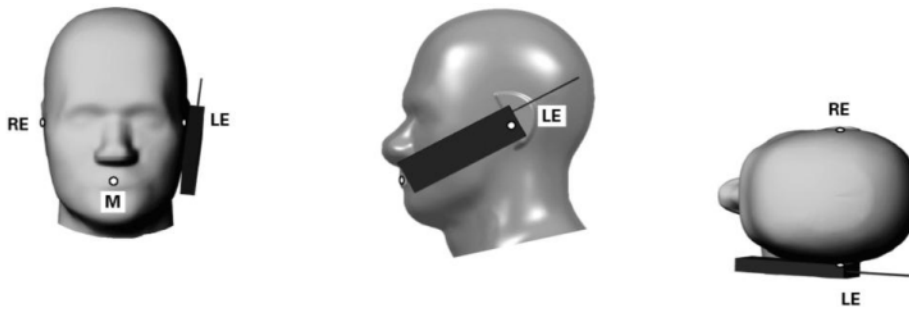


Fig 9.3 Illustration for Cheek Position

9.3. Positioning for Ear / 15° Tilt

To position the device in the “cheek” position described above.

While maintaining the device the reference plane described above and pivoting against the ear, moves it outward away from the mouth by an angle of 15 degrees or until contact with the ear is lost (see figure below).

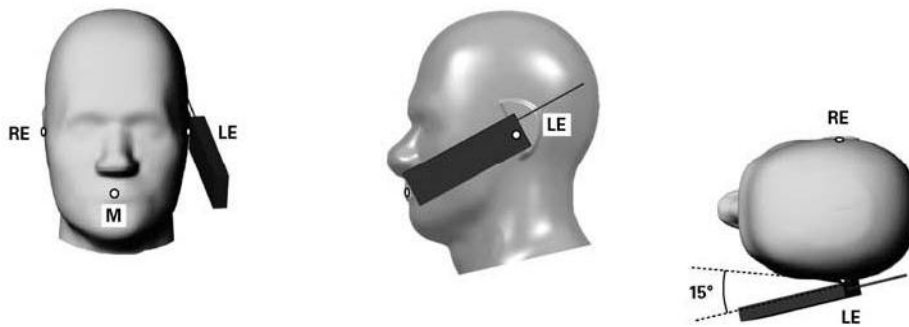


Fig 9.4 Illustration for Tilted Position

9.4. SAR Evaluations near the Mouth/Jaw Regions of the SAM Phantom

Antennas located near the bottom of a phone may require SAR measurements around the mouth and jaw regions of the SAM head phantom. This typically applies to clam-shell style phones that are generally longer in the unfolded normal use positions or to certain older style long rectangular phones.

Under these circumstances, the following procedures apply, adopted from the FCC guidance on SAR handsets document FCC KDB Publication 648474 D04v01r03. The SAR required in these regions of SAM should be measured using a flat phantom. The phone should be positioned with a separation distance of 4 mm between the ear reference point (ERP) and the outer surface of the flat phantom shell. While maintaining this distance at the ERP location, the low (bottom) edge of the phone should be lowered from the phantom to establish the same separation distance between the peak SAR locations identified by the truncated partial SAR distribution measured with the SAM phantom. The distance from the peak SAR location to the phone is determined by the straight line passing perpendicularly through the phantom surface. When it is not feasible to maintain 4 mm separation at the ERP while also establishing the required separation at the peak SAR location, the top edge of the phone will be allowed to touch the phantom with a separation < 4 mm at the ERP. The phone should not be tilted to the left or right while placed in this inclined position to the flat phantom.

9.5. Body-worn Configurations

The body-worn configurations shall be tested with the supplied accessories (belt-clips, holsters, etc.) attached to the device in normal use configuration.

For body-worn and other configurations a flat phantom shall be used which is comprised of material with electrical properties similar to the corresponding tissues.

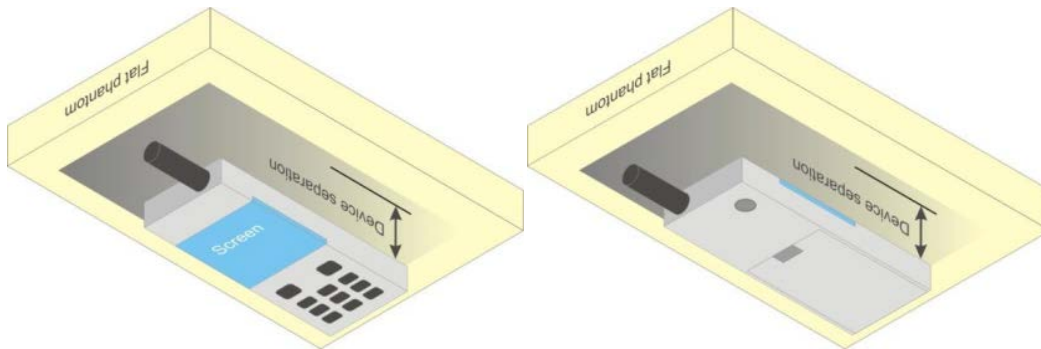


Fig 9.5 Illustration for Body Worn Position

9.6. Hotspot Mode Exposure Position Conditions

For handsets that support hotspot mode operations, with wireless router capabilities and various web browsing functions, the relevant hand and body exposure conditions are tested according to the hotspot SAR procedures in KDB 941225. A test separation distance of 10 mm is required between the phantom and all surfaces and edges with a transmitting antenna located within 25 mm from that surface or edge. When the form factor of a handset is smaller than 9 cm x 5 cm, a test separation distance of 5 mm (instead of 10 mm) is required for testing hotspot mode. When the separation distance required for body-worn accessory testing is larger than or equal to that tested for hotspot mode, in the same wireless mode and for the same surface of the phone, the hotspot mode SAR data may be used to support body-worn accessory SAR compliance for that particular configuration (surface).

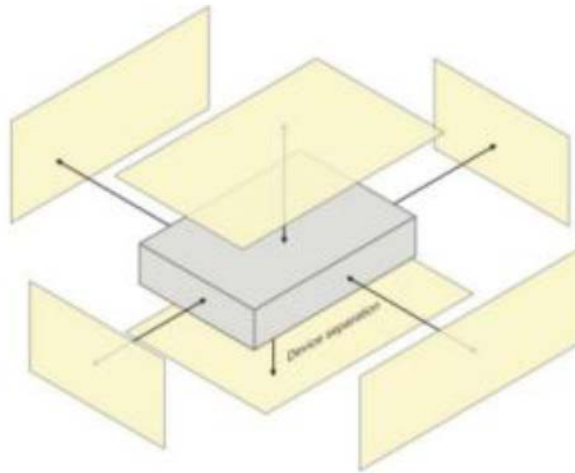


Fig 9.6 Illustration for Hotspot Position

10. Measurement Procedures

The measurement procedures are as follows:

<Conducted power measurement>

- (a) For WWAN power measurement, use base station simulator to configure EUT WWAN transmission in conducted connection with RF cable, at maximum power in each supported wireless interface and frequency band.
- (b) Read the WWAN RF power level from the base station simulator.
- (c) For WLAN/BT power measurement, use engineering software to configure EUT WLAN/BT continuously transmission, at maximum RF power in each supported wireless interface and frequency band
- (d) Connect EUT RF port through RF cable to the power meter, and measure WLAN/BT output power

<SAR measurement>

- (a) Use base station simulator to configure EUT WWAN transmission in radiated connection, and engineering software to configure EUT WLAN/BT continuously transmission, at maximum RF power, in the highest power channel
- (b) Place the EUT in the positions as Annex D demonstrates.
- (c) Set scan area, grid size and other setting on the DASY software.
- (d) Measure SAR results for the highest power channel on each testing position.
- (e) Find out the largest SAR result on these testing positions of each band
- (f) Measure SAR results for other channels in worst SAR testing position if the reported SAR of highest power channel is larger than 0.8 W/kg



According to the test standard, the recommended procedure for assessing the peak spatial-average SAR value consists of the following steps:

- (a) Power reference measurement
- (b) Area scan
- (c) Zoom scan
- (d) Power drift measurement

10.1. Spatial Peak SAR Evaluation

The procedure for spatial peak SAR evaluation has been implemented according to the test standard. It can be conducted for 1g and 10g, as well as for user-specific masses. The DASY software includes all numerical procedures necessary to evaluate the spatial peak SAR value. The base for the evaluation is a "cube" measurement. The measured volume must include the 1g and 10g cubes with the highest averaged SAR values. For that purpose, the center of the measured volume is aligned to the interpolated peak SAR value of a previously performed area scan.

The entire evaluation of the spatial peak values is performed within the post-processing engine (SEMCAD). The system always gives the maximum values for the 1g and 10g cubes. The algorithm to find the cube with highest averaged SAR is divided into the following stages:

- (a) Extraction of the measured data (grid and values) from the Zoom Scan
- (b) Calculation of the SAR value at every measurement point based on all stored data (A/D values and measurement parameters)
- (c) Generation of a high-resolution mesh within the measured volume
- (d) Interpolation of all measured values from the measurement grid to the high-resolution grid
- (e) Extrapolation of the entire 3-D field distribution to the phantom surface over the distance from sensor to surface
- (f) Calculation of the averaged SAR within masses of 1g and 10g

10.2. Power Reference Measurement

The Power Reference Measurement and Power Drift Measurements are for monitoring the power drift of the device under test in the batch process. The minimum distance of probe sensors to surface determines the closest measurement point to phantom surface. This distance cannot be smaller than the distance of sensor calibration points to probe tip as defined in the probe properties.



10.3. Area Scan Procedures

Area scans are defined prior to the measurement process being executed with a user defined variable spacing between each measurement point (integral) allowing low uncertainty measurements to be conducted. Scans defined for FCC applications utilize a 10mm^2 step integral, with 1mm interpolation used to locate the peak SAR area used for zoom scan assessments.

When an Area Scan has measured all reachable points, it computes the field maxima founding the scanned area, within a range of the global maximum. The range (in dB) is specified in the standards for compliance testing. For example, a 2 dB range is required in IEEE1528-2003, EN 50361 and IEC 62209 standards, whereby 3 dB is a requirement when compliance is assessed in accordance with the ARIB standard (Japan).

10.4. Zoom Scan Procedures

Zoom Scans are used to assess the peak spatial SAR values within a cubic averaging volume containing 1 g and 10 g of simulated tissue. A density of 1000 kg/m^3 is used to represent the head and body tissue density and not the phantom liquid density, in order to be consistent with the definition of the liquid dielectric properties, i.e. the side length of the 1g cube is 10mm, with the side length of the 10 g cube 21,5mm. The zoom scan integer steps can be user defined so as to reduce uncertainty, but normal practice for typical test applications utilize a physical step of $5\text{x}5\text{x}7$ (8mmx8mmx5mm) providing a volume of 32mm in the X & Y axis, and 30mm in the Z axis.

10.5. SAR Averaged Methods

In DASy, the interpolation and extrapolation are both based on the modified Quadratic Sheppard's method. The interpolation scheme combines a least-square fitted function method and a weighted average method which are the two basic types of computational interpolation and approximation.

Extrapolation routines are used to obtain SAR values between the lowest measurement points and the inner phantom surface. The extrapolation distance is determined by the surface detection distance and the probe sensor offset. The uncertainty increases with the extrapolation distance. To keep the uncertainty within 1% for the 1 g and 10 g cubes, the extrapolation distance should not be larger than 5 mm.



10.6. Power Drift Monitoring

All SAR testing is under the DUT install full charged battery and transmit maximum output power. In DASY measurement software, the power reference measurement and power drift measurement procedures are used for monitoring the power drift of DUT during SAR test. Both these procedures measure the field at a specified reference position before and after the SAR testing. The software will calculate the field difference in dB. If the power drift more than 5%, the SAR will be retested.

11. SAR Test Procedure

11.1. General scan Requirements

Probe boundary effect error compensation is required for measurements with the probe tip closer than half a probe tip diameter to the phantom surface. Both the probe tip diameter and sensor offset distance must satisfy measurement protocols; to ensure probe boundary effect errors are minimized and the higher fields closest to the phantom surface can be correctly measured and extrapolated to the phantom surface for computing 1-g SAR. Tolerances of the post-processing algorithms must be verified by the test laboratory for the scan resolutions used in the SAR measurements, according to the reference distribution functions specified in IEEE Std 1528-2013.

		≤ 3 GHz	> 3 GHz	
Maximum distance from closest measurement point (geometric center of probe sensors) to phantom surface		5 mm ± 1 mm	$\frac{1}{4} \cdot \delta \cdot \ln(2)$ mm ± 0.5 mm	
Maximum probe angle from probe axis to phantom surface normal at the measurement location		30° ± 1°	20° ± 1°	
Maximum area scan spatial resolution: Δx_{Area} , Δy_{Area}		≤ 2 GHz: ≤ 15 mm 2 – 3 GHz: ≤ 12 mm	3 – 4 GHz: ≤ 12 mm 4 – 6 GHz: ≤ 10 mm	
		When the x or y dimension of the test device, in the measurement plane orientation, is smaller than the above, the measurement resolution must be ≤ the corresponding x or y dimension of the test device with at least one measurement point on the test device.		
Maximum zoom scan spatial resolution: Δx_{Zoom} , Δy_{Zoom}		≤ 2 GHz: ≤ 8 mm 2 – 3 GHz: ≤ 5 mm*	3 – 4 GHz: ≤ 5 mm* 4 – 6 GHz: ≤ 4 mm*	
Maximum zoom scan spatial resolution, normal to phantom surface	uniform grid: $\Delta z_{Zoom}(n)$	≤ 5 mm	3 – 4 GHz: ≤ 4 mm 4 – 5 GHz: ≤ 3 mm 5 – 6 GHz: ≤ 2 mm	
	graded grid	$\Delta z_{Zoom}(1)$: between 1 st two points closest to phantom surface	≤ 4 mm	3 – 4 GHz: ≤ 3 mm 4 – 5 GHz: ≤ 2.5 mm 5 – 6 GHz: ≤ 2 mm
		$\Delta z_{Zoom}(n>1)$: between subsequent points	≤ 1.5 · $\Delta z_{Zoom}(n-1)$ mm	
Minimum zoom scan volume	x, y, z	≥ 30 mm	3 – 4 GHz: ≥ 28 mm 4 – 5 GHz: ≥ 25 mm 5 – 6 GHz: ≥ 22 mm	
Note: δ is the penetration depth of a plane-wave at normal incidence to the tissue medium; see IEEE Std 1528-2013 for details. * When zoom scan is required and the <i>reported</i> SAR from the <i>area scan based 1-g SAR estimation</i> procedures of KDB Publication 447498 is ≤ 1.4 W/kg, ≤ 8 mm, ≤ 7 mm and ≤ 5 mm zoom scan resolution may be applied, respectively, for 2 GHz to 3 GHz, 3 GHz to 4 GHz and 4 GHz to 6 GHz.				

11.2. Test procedure

The Following steps are used for each test position

1. Establish a call with the maximum output power with a base station simulator. The connection between the mobile and the base station simulator is established via air interface.
2. Measurement of the local E-field value at a fixed location. This value serves as a reference value for calculating a possible power drift.
3. Measurement of the SAR distribution with a grid of 8 to 16mm * 8 to 16 mm and a constant distance to the inner surface of the phantom. Since the sensors cannot directly measure at the inner phantom surface, the values between the sensors and the inner phantom surface are extrapolated. With these values the area of the maximum SAR is calculated by an interpolation scheme.
4. Around this point, a cube of 30 * 30 * 30 mm or 32 * 32 * 32 mm is assessed by measuring 5 or 8 * 5 or 8*4 or 5 mm. With these data, the peak spatial-average SAR value can be calculated.

11.3. Description of interpolation/extrapolation scheme

The local SAR inside the phantom is measured using small dipole sensing elements inside a probe body. The probe tip must not be in contact with the phantom surface in order to minimize measurements errors, but the highest local SAR will occur at the surface of the phantom.

An extrapolation is using to determinate this highest local SAR values. The extrapolation is based on a fourth-order least-square polynomial fit of measured data. The local SAR value is then extrapolated from the liquid surface with a 1mm step.

The measurements have to be performed over a limited time (due to the duration of the battery) so the step of measurement is high. It could vary between 5 and 8 mm. To obtain an accurate assessment of the maximum SAR averaged over 10 grams and 1 gram requires a very fine resolution in the three dimensional scanned data array.



11.4. Wireless Router

Some battery-operated handsets have the capability to transmit and receive user through simultaneous transmission of WIFI simultaneously with a separate licensed transmitter. The FCC has provided guidance in FCC KDB Publication 941225 D06 v02r01 where SAR test considerations for handsets ($L \times W \geq 9 \text{ cm} \times 5 \text{ cm}$) are based on a composite test separation distance of 10 from the front, back and edges of the device containing transmitting antennas within 2.5cm of their edges, determined from general mixed use conditions for this type of devices. Since the hotspot SAR results may overlap with the body-worn accessory SAR requirements, the more conservative configurations can be considered, thus excluding some body-worn accessory SAR tests.

When the user enables the personal wireless router functions for the handset, actual operations include simultaneous transmission of both the WIFI transmitter and another licensed transmitter. Both transmitters often do not transmit at the same transmitting frequency and thus cannot be evaluated for SAR under actual use conditions due to the limitations of the SAR assessment probes. Therefore, SAR must be evaluated for each frequency transmission and mode separately and spatially summed with the WIFI transmitter according to FCC KDB Publication 447498 D01v06 publication procedures. The "Portable Hotspot" feature on the handset was NOT activated during SAR assessments, to ensure the SAR measurements were evaluated for a single transmission frequency RF signal at a time.



12. SAR Test Configuration

<GSM Mode>

A summary of these settings are illustrated below:

For GSM850 frequency band, the power control is set to 5 for GSM/GPRS mode (GSMK-CS1) and set to 8 for EDGE mode (MCS5); For GSM1900 frequency band, the power control is set to 0 for GSM/GPRS mode (GSMK-CS1) and set to 2 for EDGE mode (MCS5)

1. Per KDB 447498 D01v06, the maximum output power channel is used for SAR testing and for further SAR test reduction.
2. Per KDB 941225 D01v03r01, SAR test reduction for GSM / GPRS / EDGE modes is determined by the source-based time-averaged output power including tune-up tolerance. The mode with highest specified time-averaged output power should be tested for SAR compliance in the applicable exposure conditions. For modes with the same specified maximum output power and tolerance, the higher number time-slot configuration should be tested. Therefore, the GPRS (4Tx slots) for GSM850/GSM1900 is considered as the primary mode.
3. Other configurations of GSM / GPRS / EDGE are considered as secondary modes.

Timeslot consignations:

Remark:

1. The frame-averaged power is linearly reported the maximum burst averaged power over 8 time slots. The calculated method are shown as below:

The duty cycle "x" of different time slots as below:

1 TX slot is 1/8, 2 TX slots is 2/8, 3 TX slots is 3/8 and 4 TX slots is 4/8

Based on the calculation formula:

Frame-averaged power = Burst averaged power + 10 log (x)

So,

Frame-averaged power (1 TX slot) = Burst averaged power (1 TX slot)– 9.03

Frame-averaged power (2 TX slots) = Burst averaged power (2 TX slots)– 6.02

Frame-averaged power (3 TX slots) = Burst averaged power (3 TX slots)– 4.26

Frame-averaged power (4 TX slots) = Burst averaged power (4 TX slots) – 3.01

2. CS1 coding scheme was used in GPRS conducted power measurements and SAR testing, MCS5 coding scheme was used in EGPRS conducted power measurements and SAR testing (if necessary).

No. of Slots:	Slot 1	Slot 2	Slot 3	Slot 4
Slot Consignation:	1Up4Reduce d	2Up3Reduce d	3Up2Reduce d	4Up1Reduce d
Duty Cycle:	1:8.3	1:4.15	1:2.77	1:2.08
Correct Factor:	-9.03dB	-6.02dB	-4.26dB	-3.01dB



<WCDMA Mode>

Summary of UMTS conducted power measurement:

1. The 3G SAR test reduction procedure is applied, when the maximum output power and tune-up tolerance specified for production units in a secondary mode is $\leq \frac{1}{4}$ dB higher than the primary mode, SAR measurement is not required for the secondary mode.
2. The following tests were conducted according to the test requirements outlines in 3GPP TS 34.121 specification.
3. The procedures in KDB 941225 D01v03r01 are applied for 3GPP Rel. 6 HSPA to configure the device in the required sub-test mode(s) to determine SAR test exclusion.
4. For HSPA+ devices supporting 16 QAM in the uplink, power measurements procedure is according to the configurations in Table C.11.1.4 of 3GPP TS 34.121-1.
5. Per KDB 941225 D01v03r01, RMC 12.2kbps setting is used to evaluate SAR. The maximum output power and tune-up tolerance specified for production units in HSDPA / HSUPA / DC-HSDPA / HSPA+ is $\leq \frac{1}{4}$ dB higher than RMC 12.2Kbps or when the highest reported SAR of the RMC12.2Kbps is scaled by the ratio of specified maximum output power and tune-up tolerance of HSDPA / HSUPA / DC-HSDPA / HSPA+ to RMC12.2Kbps and the adjusted SAR is ≤ 1.2 W/kg, SAR measurement is not required for HSDPA / HSUPA / DC-HSDPA / HSPA+, and according to the following RF output power, the output power results of the secondary modes (HSDPA / HSUPA / DC-HSDPA / HSPA+) are less than $\frac{1}{4}$ dB higher than the primary modes; therefore, SAR measurement is not required for HSDPA / HSUPA / DC-HSDPA / HSPA+.
6. A fixed level power reduction is applied for WCDMA Band II when handset open Hotspot mode, the power reduction triggered.

HSDPA Setup Configuration:

Sub-test	β_c	β_d	β_d (SF)	β_c/β_d	$\beta_{hs}^{(1)}$	CM (dB) ⁽²⁾
1	2/15	15/15	64	2/15	4/15	0.0
2	12/15 ⁽³⁾	15/15 ⁽³⁾	64	12/15 ⁽³⁾	24/15	1.0
3	15/15	8/15	64	15/8	30/15	1.5
4	15/15	4/15	64	15/4	30/15	1.5

Note 1: $\Delta_{ACK}, \Delta_{NACK}$ and $\Delta_{CQI} = 8 \Leftrightarrow A_{hs} = \beta_{hs}/\beta_c = 30/15 \Leftrightarrow \beta_{hs} = 30/15 * \beta_c$
 Note 2: CM = 1 for $\beta_c/\beta_d = 12/15, \beta_{hs}/\beta_c = 24/15$.
 Note 3: For subtest 2 the β_c/β_d ratio of 12/15 for the TFC during the measurement period (TF1, TF0) is achieved by setting the signaled gain factors for the reference TFC (TF1, TF1) to $\beta_c = 11/15$ and $\beta_d = 15/15$.

HSUPA Setup Configuration:

Sub-test	β_c	β_d	β_d (SF)	β_c/β_d	$\beta_{hs}^{(1)}$	β_{ec}	β_{ed}	β_{ed} (SF)	β_{ed} (codes)	CM ⁽²⁾ (dB)	MPR (dB)	AG ⁽⁴⁾ Index	E-TFCI
1	11/15 ⁽³⁾	15/15 ⁽³⁾	64	11/15 ⁽³⁾	22/15	209/225	1039/225	4	1	1.0	0.0	20	75
2	6/15	15/15	64	6/15	12/15	12/15	94/75	4	1	3.0	2.0	12	67
3	15/15	9/15	64	15/9	30/15	30/15	$\beta_{ed1}: 47/15$ $\beta_{ed2}: 47/15$	4	2	2.0	1.0	15	92
4	2/15	15/15	64	2/15	4/15	2/15	56/75	4	1	3.0	2.0	17	71
5	15/15 ⁽⁴⁾	15/15 ⁽⁴⁾	64	15/15 ⁽⁴⁾	30/15	24/15	134/15	4	1	1.0	0.0	21	81

Note 1: $\Delta_{ACK}, \Delta_{NACK}$ and $\Delta_{CQI} = 8 \Leftrightarrow A_{hs} = \beta_{hs}/\beta_c = 30/15 \Leftrightarrow \beta_{hs} = 30/15 * \beta_c$.

Note 2: CM = 1 for $\beta_c/\beta_d = 12/15, \beta_{hs}/\beta_c = 24/15$. For all other combinations of DPDCH, DPCCH, HS-DPCCH, E-DPDCH and E-DPCCH the MPR is based on the relative CM difference.

Note 3: For subtest 1 the β_c/β_d ratio of 11/15 for the TFC during the measurement period (TF1, TF0) is achieved by setting the signaled gain factors for the reference TFC (TF1, TF1) to $\beta_c = 10/15$ and $\beta_d = 15/15$.

Note 4: For subtest 5 the β_c/β_d ratio of 15/15 for the TFC during the measurement period (TF1, TF0) is achieved by setting the signaled gain factors for the reference TFC (TF1, TF1) to $\beta_c = 14/15$ and $\beta_d = 15/15$.

Note 5: Testing UE using E-DPDCH Physical Layer category 1 Sub-test 3 is not required according to TS 25.306 Table 5.1g.

Note 6: β_{ed} cannot be set directly; it is set by Absolute Grant Value.

HSPA+ 3GPP release 7 (uplink category 7) 16QAM, Setup Configuration:
Table C.11.1.4: β values for transmitter characteristics tests with HS-DPCCH and E-DCH with 16QAM

Sub-test	β_c (Note 3)	β_d	β_{hs} (Note 1)	β_{ec}	β_{ed} (2xSF2) (Note 4)	β_{ed} (2xSF4) (Note 4)	CM (dB) (Note 2)	MPR (dB) (Note 2)	AG Index (Note 4)	E-TFCI (Note 5)	E-TFCI (boost)
1	1	0	30/15	30/15	$\beta_{ed1}: 30/15$ $\beta_{ed2}: 30/15$	$\beta_{ed3}: 24/15$ $\beta_{ed4}: 24/15$	3.5	2.5	14	105	105

Note 1: $\Delta_{ACK}, \Delta_{NACK}$ and $\Delta_{CQI} = 30/15$ with $\beta_{hs} = 30/15 * \beta_c$.

Note 2: CM = 3.5 and the MPR is based on the relative CM difference, MPR = MAX(CM-1,0).

Note 3: DPDCH is not configured, therefore the β_c is set to 1 and $\beta_d = 0$ by default.

Note 4: β_{ed} can not be set directly; it is set by Absolute Grant Value.

Note 5: All the sub-tests require the UE to transmit 2SF2+2SF4 16QAM EDCH and they apply for UE using E-DPDCH category 7. E-DCH TTI is set to 2ms TTI and E-DCH table index = 2. To support these E-DCH configurations DPDCH is not allocated. The UE is signaled to use the extrapolation algorithm.

DC-HSDPA Setup Configuration:

The following tests were completed according to procedures in section 7.3.13 of 3GPP TS34.108 v9.5.0. A summary of these settings are illustrated below:

Reduced link Physical Channels are set as per 3GPP TS34.121-1 v9.0.0 E.5.

Table E.5.0: Levels for HSDPA connection setup

Parameter During Connection setup	Unit	Value
P-CPICH_Ec/lor	dB	-10
P-CCPCH and SCH_Ec/lor	dB	-12
PICH_Ec/lor	dB	-15
HS-PDSCH	dB	off
HS-SCCH_1	dB	off
DPCH_Ec/lor	dB	-5
OCNS_Ec/lor	dB	-3.1

Call is set up as per 3GPP TS34.108 v9.5.0 sub clause 7.3.13

The configurations of the fixed reference channels for HSDPA RF tests are described in 3GPP TS 34.121, Annex C for FDD and 3GPP TS 34.122.

Table C.8.1.12: Fixed Reference Channel H-Set 12

Parameter	Unit	Value
Nominal Avg. Inf. Bit Rate	kbps	60
Inter-TTI Distance	TTI's	1
Number of HARQ Processes	Processes	6
Information Bit Payload (N_{INF})	Bits	120
Number Code Blocks	Blocks	1
Binary Channel Bits Per TTI	Bits	960
Total Available SML's in UE	SML's	19200
Number of SML's per HARQ Proc.	SML's	3200
Coding Rate		0.15
Number of Physical Channel Codes	Codes	1
Modulation		QPSK
Note 1: The RMC is intended to be used for DC-HSDPA mode and both cells shall transmit with identical parameters as listed in the table. Note 2: Maximum number of transmission is limited to 1, i.e., retransmission is not allowed. The redundancy and constellation version 0 shall be used.		

CCC

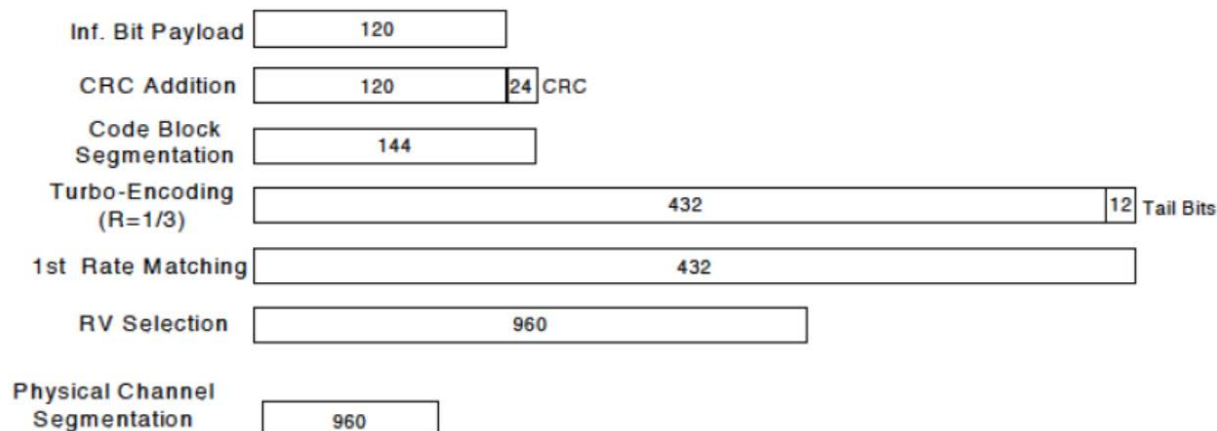


Figure C.8.19: Coding rate for Fixed reference Channel H-Set 12 (QPSK)

LTE Target MPR level

The device implements maximum power reduction per 3GPP 36.101 requirements where the MPR target is as below table. The MPR settings are implemented configured into firmware and cannot be disabled by the end user or LTE carrier network.

Modulation	Channel bandwidth / Transmission bandwidth configuration [RB]						MPR	3GPP
	1.4	3.0	5	10	15	20	Target	MPR
	MHz	MHz	MHz	MHz	MHz	MHz	(dB)	(dB)
QPSK	> 5	> 4	> 8	> 12	> 16	> 18	1	≤ 1
16 QAM	≤ 5	≤ 4	≤ 8	≤ 12	≤ 16	≤ 18	1	≤ 1
64 QAM	> 5	> 4	> 8	> 12	> 16	> 18	2	≤ 2

Note: The measurement result showed some difference from the target MPR level, due to expected 0.5dB measurement tolerance

LTE Bands

LTE Bands	Channel bandwidth / Transmission bandwidth configuration [RB]					
	1.4	3.0	5	10	15	20
	MHz	MHz	MHz	MHz	MHz	MHz
2	v	v	v	v	v	v
4	v	v	v	v	v	v
5	v	v	v	v	N/A	N/A
7	N/A	N/A	v	v	v	v
12	v	v	v	v	N/A	N/A

Note:

- Per KDB 941225 D05v02r05, when a properly configured base station simulator is used for the SAR and power measurements, spectrum plots for each RB allocation and offset configuration



is not required.

2. Per KDB 941225 D05v02r05, start with the largest channel bandwidth and measure SAR for QPSK with 1 RB allocation, using the RB offset and required test channel combination with the highest maximum output power for RB offsets at the upper edge, middle and lower edge of each required test channel.
3. Per KDB 941225 D05v02r05, 50% RB allocation for QPSK SAR testing follows 1RB QPSK allocation procedure.
4. Per KDB 941225 D05v02r05, for QPSK with 100% RB allocation, SAR is not required when the highest maximum output power for 100 % RB allocation is less than the highest maximum output power in 50% and 1 RB allocations and the highest reported SAR for 1 RB and 50% RB allocation are ≤ 0.8 W/kg. Otherwise, SAR is measured for the highest output power channel; and if the reported SAR is > 1.45 W/kg, the remaining required test channels must also be tested.
5. Per KDB 941225 D05v02r05, 16QAM/64QAM output power for each RB allocation configuration is $>$ not $\frac{1}{2}$ dB higher than the same configuration in QPSK and the reported SAR for the QPSK configuration is ≤ 1.45 W/kg; Per KDB941225 D05v02r05, 16QAM/64QAM SAR testing is not required.
6. Per KDB 941225 D05v02r05, smaller bandwidth output power for each RB allocation configuration is $>$ not $\frac{1}{2}$ Db higher than the same configuration in the largest supported bandwidth, and the reported SAR for the largest supported band width is ≤ 1.45 W/kg; Per KDB 941225 D05v02r05, smaller bandwidth SAR testing is not required.
7. For LTE B4 / B5 / B7 / B17 the maximum bandwidth does not support three non-overlapping channels, per KDB941225 D05v02r05, when a device supports overlapping channel assignment in a channel bandwidth configuration, the middle channel of the group of overlapping channels should be selected for testing.
8. LTE band 2 / 12 SAR test was covered by Band 25 / 17; according to April 2015 TCB workshop, SAR test for overlapping LTE bands can be reduced if
 - a. the maximum output power, including tolerance, for the smaller band is \leq the larger band to qualify for the SAR test exclusion.
 - b. the channel bandwidth and other operating parameters for the smaller band are fully supported by the larger band.
9. According to 2017 TCB workshop, for 64 QAM and 16 QAM should be verified by checking the signal constellation with a call box to avoid incorrect maximum power levels due to MPR and other requirements associated with signal modulation, and the following figure is taken from the "Fundamental Measurement >> Modulation Analysis >> constellation" mode of the device connect to the CMW500 base station, therefore, the device 64QAM and 16QAM signal modulation are correct. Identify if Maximum Power Reduction (MPR) is optional or mandatory, i.e. built-in by design: only mandatory MPR may be considered during SAR testing, when the maximum output power is permanently limited by the MPR implemented within the UE; and



only for the applicable RB (resource block) configurations specified in LTE standards: b) A-MPR (additional MPR) must be disabled.

10. Per KDB 447498 D01v06, the reported SAR is the measured SAR value adjusted for maximum tune-up tolerance.
 - a. Tune-up scaling Factor = tune-up limit power (mW) / EUT RF power (mW), where tune-up limit is the maximum rated power among all production units.
 - b. For SAR testing of WLAN signal with non-100% duty cycle, the measured SAR is scaled-up by the duty cycle scaling factor which is equal to "1/(duty cycle)"
 - c. For WWAN: Reported SAR(W/kg)= Measured SAR(W/kg)*Tune-up Scaling Factor
 - d. For WLAN/Bluetooth: Reported SAR(W/kg)= Measured SAR(W/kg)* Duty Cycle scaling factor * Tune-up scaling factor
 - e. For TDD LTE SAR measurement, the duty cycle 1:1.59 (62.9 %) was used perform testing and considering the theoretical duty cycle of 63.3% for extended cyclic prefix in the uplink, and the theoretical duty cycle of 62.9% for normal cyclic prefix in uplink, a scaling factor of extended cyclic prefix $63.3\%/62.9\% = 1.006$ is applied to scale-up the measured SAR result. The Reported TDD LTE SAR = measured SAR (W/kg)* Tune-up Scaling Factor* scaling factor for extended cyclic prefix.
11. Per KDB 447498 D01v06, for each exposure position, testing of other required channels within the operating mode of a frequency band is not required when the reported 1-g or 10-g SAR for the mid-band or highest output power channel is: ≤ 0.8 W/kg or 2.0 W/kg, for 1-g or 10-g respectively, when the transmission band is ≤ 100 MHz ≤ 0.6 W/kg or 1.5 W/kg, for 1-g or 10-g respectively, when the transmission band is between 100 MHz and 200 MHz ≤ 0.4 W/kg or 1.0 W/kg, for 1-g or 10-g respectively, when the transmission band is ≥ 200 MHz
12. Per KDB 865664 D01v01r04, for each frequency band, repeated SAR measurement is required only when the measured SAR is ≥ 0.8 W/kg.
13. Per KDB 648474 D04v01r03, when the reported SAR for a body-worn accessory measured without a headset connected to the handset is ≤ 1.2 W/kg, SAR testing with a headset connected to the handset is not required.

<WLAN 2.4GHz>

1. SAR is measured for 2.4 GHz 802.11b DSSS using either the fixed test position or, when applicable, the initial test position procedure. SAR test reduction is determined according to the following:
 - 1) When the reported SAR of the highest measured maximum output power channel for the exposure configuration is ≤ 0.8 W/kg, no further SAR testing is required for 802.11b DSSS in that exposure configuration.
 - 2) When the reported SAR is > 0.8 W/kg, SAR is required for that position using the next highest measured output power channel. When any reported SAR is > 1.2 W/kg, SAR is required for the third channel; i.e., all channels require testing.
2. 2.4 GHz 802.11 g/n OFDM are additionally evaluated for SAR if the highest reported SAR for



802.11b, adjusted by the ratio of the OFDM to DSSS specified maximum output power, is > 1.2 W/kg. When SAR is required for OFDM modes in 2.4 GHz band, the Initial Test Configuration Procedures should be followed.

3. For held-to-ear and hotspot operations, the initial test position procedures were applied. The test position with the highest extrapolated peak SAR will be used as the initial test position. When reported SAR for the initial test position is ≤ 0.4 W/kg, no additional testing for the remaining test positions was required. Otherwise, SAR is evaluated at the subsequent highest peak SAR positions until the reported SAR result is ≤ 0.8 W/kg or all test positions are measured.
4. Justification for test configurations for WLAN per KDB Publication 248227 D02DR02-41929 for 2.4 GHz WI-FI single transmission chain operations, the highest measured maximum output power channel for DSSS was selected for SAR measurement. SAR for OFDM modes (2.4 GHz 802.11g/n) was not required due to the maximum allowed powers and the highest reported DSSS SAR.
5. A fixed level power reduction is applied for WiFi when handset operates "held to the body" condition or "held to the ear" condition, the power reduction triggered by audio receiver detection and call establish status.
6. Per KDB 248227 D01v02r02, In the 2.4 GHz band, separate SAR procedures are applied to DSSS and OFDM configurations to simplify DSSS test requirements. SAR is not required for the following 2.4 GHz OFDM conditions:
 - 1) When KDB Publication 447498 SAR test exclusion applies to the OFDM configuration.
 - 2) When the highest reported SAR for DSSS is adjusted by the ratio of OFDM to DSSS specified maximum output power and the adjusted SAR is ≤ 1.2 W/kg.

<WLAN 5GHz>

A) U-NII-1 and U-NII-2A Bands

For devices that operate in only one of the U-NII-1 and U-NII-2A bands, the normally required SAR procedures for OFDM configurations are applied. For devices that operate in both U-NII bands using the same transmitter and antenna(s), SAR test reduction is determined according to the following:

- 1) When the same maximum output power is specified for both bands, begin SAR measurement in U-NII-2A band by applying the OFDM SAR requirements. If the highest reported SAR for a test configuration is ≤ 1.2 W/kg, SAR is not required for U-NII-1 band for that configuration (802.11 mode and exposure condition); otherwise, both bands are tested independently for SAR.
- 2) When different maximum output power is specified for the bands, begin SAR measurement in the band with higher specified maximum output power. The highest reported SAR for the tested configuration is adjusted by the ratio of lower to higher specified maximum output power for the two bands. When the adjusted SAR is ≤ 1.2 W/kg, SAR is not required for the band with lower maximum output power in that test configuration; otherwise, both bands are tested independently for SAR.



3)The two U-NII bands may be aggregated to support a 160 MHz channel on channel number 50. Without additional testing, the maximum output power for this is limited to the lower of the maximum output power certified for the two bands. When SAR measurement is required for at least one of the bands and the highest reported SAR adjusted by the ratio of specified maximum output power of aggregated to standalone band is $> 1.2 \text{ W/kg}$, SAR is required for the 160 MHz channel. This procedure does not apply to an aggregated band with maximum output higher than the standalone band(s); the aggregated band must be tested independently for SAR. SAR is not required when the 160 MHz channel is operating at a reduced maximum power and also qualifies for SAR test exclusion.

B)U-NII-2C and U-NII-3 Bands

The frequency range covered by these bands is 380 MHz (5.47 – 5.85 GHz), which requires a minimum of at least two SAR probe calibration frequency points to support SAR measurements. when Terminal Doppler Weather Radar (TDWR) restriction applies, all channels that operate at 5.60 – 5.65 GHz must be included to apply the SAR test reduction and measurement procedures. When the same transmitter and antenna(s) are used for U-NII-2C band and U-NII-3 band or 5.8 GHz band of §15.247, the bands may be aggregated to enable additional channels with 20, 40 or 80 MHz bandwidth to span across the band gap, as illustrated in Annex B. The maximum output power for the additional band gap channels is limited to the lower of those certified for the bands. Unless band gap channels are permanently disabled, they must be considered for SAR testing. The frequency range covered by these bands is 380 MHz (5.47 – 5.85 GHz), which requires a minimum of at least two SAR probe calibration frequency points to support SAR measurements. To maintain SAR measurement accuracy and to facilitate test reduction, the channels in U-NII-2C band above 5.65 GHz may be grouped with the 5.8 GHz channels in U-NII-3 or §15.247 band to enable two SAR probe calibration frequency points to cover the bands, including the band gap channels. When band gap channels are supported and the bands are not aggregated for SAR testing, band gap channels must be considered independently in each band according to the normally required OFDM SAR measurement and probe calibration frequency points requirements.

C)OFDM Transmission Mode SAR Test Configuration and Channel Selection Requirements

The initial test configuration for 5 GHz OFDM transmission modes is determined by the 802.11 configuration with the highest maximum output power specified for production units, including tune-up tolerance, in each standalone and aggregated frequency band. SAR for the initial test configuration is measured using the highest maximum output power channel determined by the default power measurement procedures. When multiple configurations in a frequency band have the same specified maximum output power, the initial test configuration is determined according to the following steps applied sequentially.

1)The largest channel bandwidth configuration is selected among the multiple configurations with the same specified maximum output power.



2) If multiple configurations have the same specified maximum output power and largest channel bandwidth, the lowest order modulation among the largest channel bandwidth configurations is selected.

3) If multiple configurations have the same specified maximum output power, largest channel bandwidth and lowest order modulation, the lowest data rate configuration among these configurations is selected.

4) When multiple transmission modes (802.11a/g/n/ac) have the same specified maximum output power, largest channel bandwidth, lowest order modulation and lowest data rate, the lowest order 802.11 mode is selected; i.e., 802.11a is chosen over 802.11n then 802.11ac or 802.11g is chosen over 802.11n. After an initial test configuration is determined, if multiple test channels have the same measured maximum output power, the channel chosen for SAR measurement is determined according to the following. These channel selection procedures apply to both the initial test configuration and subsequent test configuration(s), with respect to the default power measurement procedures or additional power measurements required for further SAR test reduction. The same procedures also apply to subsequent highest output power channel(s) selection.

1) The channel closest to mid-band frequency is selected for SAR measurement.

2) For channels with equal separation from mid-band frequency; for example, high and low channels or two mid-band channels, the higher frequency (number) channel is selected for SAR measurement.

D) SAR Test Requirements for OFDM configurations

When SAR measurement is required for 802.11 a/n/ac OFDM configurations, each standalone and frequency aggregated band is considered separately for SAR test reduction. When the same transmitter and antenna(s) are used for U-NII-1 and U-NII-2A bands, additional SAR test reduction V applies. When band gap channels between U-NII-2C band and 5.8 GHz U-NII-3 or §15.247 band are supported, the highest maximum output power transmission mode configuration and maximum output power channel across the bands must be used to determine SAR test reduction, according to the initial test configuration and subsequent test configuration requirements. In applying the initial test configuration and subsequent test configuration procedures, the 802.11 transmission configuration with the highest specified maximum output power and the channel within a test configuration with the highest measured maximum output power should be clearly distinguished to apply the procedures.

13. Conducted RF Output Power

➤ GSM Conducted Power

GSM850	Burst Average Power (dBm)			Tune-up Limit (dBm)	Frame-Average Power (dBm)			Tune-up Limit (dBm)
	TX Channel	128	189		251	128	189	
Frequency (MHz)	824.2	836.4	848.8		824.2	836.4	848.8	
GSM 1 Tx slot	33.34	33.34	33.31	33.50	24.34	24.34	24.31	24.50
GPRS 1 Tx slot	33.33	33.34	33.31	33.50	24.33	24.34	24.31	24.50
GPRS 2 Tx slots	31.30	31.39	31.21	32.00	25.30	25.39	25.21	26.00
GPRS 3 Tx slots	29.43	29.36	29.30	30.00	25.17	25.10	25.04	25.74
GPRS 4 Tx slots	27.23	27.18	27.12	28.00	24.23	24.18	24.12	25.00
EDGE 1 Tx slot	26.17	26.34	26.09	26.50	17.17	17.34	17.09	17.50
EDGE 2 Tx slots	24.61	24.82	24.57	25.00	18.61	18.82	18.57	19.00
EDGE 3 Tx slots	22.06	22.31	22.15	22.50	17.80	18.05	17.89	18.24
EDGE 4 Tx slots	19.45	19.52	19.34	20.00	16.45	16.52	16.34	17.00

GSM1900	Burst Average Power (dBm)			Tune-up Limit (dBm)	Frame-Average Power (dBm)			Tune-up Limit (dBm)
	TX Channel	512	661		810	512	661	
Frequency (MHz)	1850.2	1880	1909.8		1850.2	1880	1909.8	
GSM 1 Tx slot	28.55	28.63	28.51	29.00	19.55	19.63	19.51	20.00
GPRS 1 Tx slot	28.55	28.64	28.52	29.00	19.55	19.64	19.52	20.00
GPRS 2 Tx slots	26.37	26.31	26.05	26.50	20.37	20.31	20.05	20.50
GPRS 3 Tx slots	24.55	24.76	24.67	25.00	20.29	20.50	20.41	20.74
GPRS 4 Tx slots	22.95	22.65	22.29	23.00	19.95	19.65	19.29	20.00
EDGE 1 Tx slot	26.52	25.83	26.33	27.00	17.52	16.83	17.33	18.00
EDGE 2 Tx slots	24.68	25.06	24.59	25.50	18.68	19.06	18.59	19.50
EDGE 3 Tx slots	22.07	22.44	21.66	22.50	17.81	18.18	17.40	18.24
EDGE 4 Tx slots	20.09	20.53	19.67	21.00	17.09	17.53	16.67	18.00



➤ **WCDMA Conducted Power**

Band		WCDMA Band II			Tune-up Limit (dBm)
TX Channel		9262	9400	9538	
Rx Channel		9662	9800	9938	
Frequency (MHz)		1852.4	1880	1907.6	
3GPP Rel 99	RMC 12.2Kbps	20.73	20.80	20.77	21.0
3GPP Rel 6	HSDPA Subtest-1	20.36	20.26	20.34	20.5
3GPP Rel 6	HSDPA Subtest-2	20.32	20.23	20.33	20.5
3GPP Rel 6	HSDPA Subtest-3	19.86	20.75	20.85	21.0
3GPP Rel 6	HSDPA Subtest-4	19.83	20.57	20.82	21.0
3GPP Rel 6	HSUPA Subtest-1	19.90	19.76	19.85	21.0
3GPP Rel 6	HSUPA Subtest-2	19.37	18.75	19.32	20.0
3GPP Rel 6	HSUPA Subtest-3	20.39	20.20	20.28	20.5
3GPP Rel 6	HSUPA Subtest-4	18.85	18.75	18.79	19.0
3GPP Rel 6	HSUPA Subtest-5	20.37	20.20	20.32	20.5
3GPP Rel 7	HSPA+ (16QAM) Subtest-1	20.01	19.93	19.97	20.5

Band		WCDMA Band V			Tune-up Limit (dBm)
TX Channel		4132	4183	4233	
Rx Channel		4357	4408	4458	
Frequency (MHz)		826.4	836.6	846.6	
3GPP Rel 99	RMC 12.2Kbps	23.08	23.12	23.10	23.50
3GPP Rel 6	HSDPA Subtest-1	22.23	22.13	22.21	22.5
3GPP Rel 6	HSDPA Subtest-2	21.20	21.11	21.23	22.0
3GPP Rel 6	HSDPA Subtest-3	20.73	20.64	20.76	21.0
3GPP Rel 6	HSDPA Subtest-4	20.71	20.63	20.75	21.0
3GPP Rel 6	HSUPA Subtest-1	19.76	19.71	19.73	20.0
3GPP Rel 6	HSUPA Subtest-2	19.25	19.2	19.27	20.0
3GPP Rel 6	HSUPA Subtest-3	20.23	20.18	20.23	20.5
3GPP Rel 6	HSUPA Subtest-4	18.76	18.66	18.72	19.0
3GPP Rel 6	HSUPA Subtest-5	21.24	21.17	21.22	21.5
3GPP Rel 7	HSPA+ (16QAM) Subtest-1	20.07	20.13	19.97	20.5



➤ LTE Conducted Power

<LTE Band 2>

BW [MHz]	Modulation	RB Size	RB Offset	Low Ch.	Middle Ch.	High Ch.	Tune-up limit (dBm)
Channel				18700	18900	19100	Tune-up limit (dBm)
Frequency (MHz)				1860	1880	1900	
20	QPSK	1	0	20.40	20.56	20.55	21.00
20	QPSK	1	49	20.30	20.33	20.55	
20	QPSK	1	99	20.29	20.40	20.45	
20	QPSK	50	0	19.96	20.01	19.91	20.50
20	QPSK	50	24	19.94	19.94	19.87	
20	QPSK	50	50	19.86	20.05	19.99	
20	QPSK	100	0	20.00	19.86	19.98	
20	16QAM	1	0	20.43	19.99	20.06	20.50
20	16QAM	1	49	20.46	19.74	20.18	
20	16QAM	1	99	20.10	20.14	19.92	
20	16QAM	50	0	18.97	19.22	18.96	20.00
20	16QAM	50	24	19.03	19.01	19.35	
20	16QAM	50	50	18.95	19.45	19.25	
20	16QAM	100	0	19.03	19.08	19.29	
20	64QAM	1	0	20.14	19.61	19.93	20.50
20	64QAM	1	49	20.01	19.77	19.94	
20	64QAM	1	99	19.82	19.75	20.43	
20	64QAM	50	0	19.09	19.47	19.07	20.00
20	64QAM	50	24	19.03	19.02	19.39	
20	64QAM	50	50	19.06	19.39	19.41	
20	64QAM	100	0	19.14	19.01	19.31	
Channel				18675	18900	19125	Tune-up limit (dBm)
Frequency (MHz)				1857.5	1880	1902.5	
15	QPSK	1	0	20.33	20.27	20.33	21.00
15	QPSK	1	37	20.41	20.25	20.30	
15	QPSK	1	74	20.26	20.27	20.37	
15	QPSK	36	0	19.86	19.96	19.90	20.50
15	QPSK	36	20	19.99	19.97	20.05	
15	QPSK	36	39	19.99	19.95	19.87	
15	QPSK	75	0	20.00	19.83	20.04	
15	16QAM	1	0	20.21	20.52	20.56	21.00



15	16QAM	1	37	20.55	20.00	20.52	
15	16QAM	1	74	20.53	20.50	20.19	
15	16QAM	36	0	19.01	18.78	19.34	19.50
15	16QAM	36	20	18.98	18.93	19.08	
15	16QAM	36	39	18.90	19.01	19.13	
15	16QAM	75	0	18.95	19.03	19.16	
15	64QAM	1	0	20.17	19.82	20.24	
15	64QAM	1	37	20.42	20.43	20.09	
15	64QAM	1	74	20.16	20.06	20.12	
15	64QAM	36	0	19.16	19.05	19.31	20.00
15	64QAM	36	20	19.14	18.98	19.13	
15	64QAM	36	39	19.11	18.98	19.11	
15	64QAM	75	0	19.01	19.00	19.14	
Channel				18650	18900	19150	
Frequency (MHz)				1855	1880	1905	
10	QPSK	1	0	20.46	20.34	20.49	21.00
10	QPSK	1	25	20.37	20.29	20.38	
10	QPSK	1	49	20.37	20.31	20.44	
10	QPSK	25	0	19.89	20.00	20.07	20.50
10	QPSK	25	12	19.99	19.85	20.04	
10	QPSK	25	25	19.97	19.85	19.86	
10	QPSK	50	0	19.98	19.91	20.04	
10	16QAM	1	0	20.33	20.53	20.10	
10	16QAM	1	25	20.27	20.50	20.54	
10	16QAM	1	49	20.52	20.27	20.51	
10	16QAM	25	0	18.90	19.04	19.27	19.50
10	16QAM	25	12	18.96	19.05	19.16	
10	16QAM	25	25	18.87	18.98	19.19	
10	16QAM	50	0	19.03	18.98	19.30	
10	64QAM	1	0	20.35	19.74	20.05	
10	64QAM	1	25	19.90	19.73	20.33	
10	64QAM	1	49	19.78	20.08	19.99	
10	64QAM	25	0	19.04	19.22	18.92	20.00
10	64QAM	25	12	19.05	19.09	19.45	
10	64QAM	25	25	19.01	18.98	19.24	
10	64QAM	50	0	19.15	19.04	19.28	
Channel				18625	18900	19175	



Frequency (MHz)				1852.5	1880	1907.5	limit (dBm)
5	QPSK	1	0	20.40	20.45	20.45	21.00
5	QPSK	1	12	20.52	20.39	20.47	
5	QPSK	1	24	20.54	20.48	20.54	
5	QPSK	12	0	19.95	19.88	19.90	20.50
5	QPSK	12	7	19.89	19.91	19.95	
5	QPSK	12	13	19.99	19.91	19.95	
5	QPSK	25	0	19.99	19.77	20.08	
5	16QAM	1	0	20.52	20.10	20.55	21.00
5	16QAM	1	12	20.50	20.01	20.43	
5	16QAM	1	24	20.17	20.10	20.53	
5	16QAM	12	0	19.29	19.05	19.13	19.50
5	16QAM	12	7	19.06	18.96	19.13	
5	16QAM	12	13	19.02	19.05	19.02	
5	16QAM	25	0	19.14	19.23	19.27	
5	64QAM	1	0	20.33	20.02	20.43	20.50
5	64QAM	1	12	19.99	19.89	20.11	
5	64QAM	1	24	20.19	19.89	20.19	
5	64QAM	12	0	19.20	18.94	19.23	20.00
5	64QAM	12	7	18.88	19.20	19.37	
5	64QAM	12	13	18.89	19.15	19.28	
5	64QAM	25	0	18.93	19.20	19.23	
Channel				18615	18900	19185	Tune-up limit (dBm)
Frequency (MHz)				1851.5	1880	1908.5	
3	QPSK	1	0	20.44	20.33	20.34	21.00
3	QPSK	1	8	20.35	20.42	20.26	
3	QPSK	1	14	20.38	20.33	20.31	
3	QPSK	8	0	19.89	19.89	19.83	20.50
3	QPSK	8	4	19.91	20.01	19.89	
3	QPSK	8	7	20.11	20.01	19.89	
3	QPSK	15	0	19.94	19.97	19.80	
3	16QAM	1	0	20.17	20.06	20.22	21.00
3	16QAM	1	8	20.51	20.03	20.53	
3	16QAM	1	14	20.12	19.93	20.35	
3	16QAM	8	0	19.32	19.11	19.12	19.50
3	16QAM	8	4	19.31	18.94	19.31	



3	16QAM	8	7	18.93	19.08	19.19	
3	16QAM	15	0	19.30	19.02	19.23	
3	64QAM	1	0	20.31	19.61	19.93	
3	64QAM	1	8	20.19	19.97	20.16	20.50
3	64QAM	1	14	20.38	19.83	19.87	
3	64QAM	8	0	19.54	19.10	19.04	
3	64QAM	8	4	19.25	19.03	18.80	20.00
3	64QAM	8	7	18.89	18.91	18.86	
3	64QAM	15	0	19.33	19.01	19.14	
Channel				18607	18900	19193	Tune-up limit (dBm)
Frequency (MHz)				1850.7	1880	1909.3	
1.4	QPSK	1	0	20.36	20.22	20.42	21.00
1.4	QPSK	1	3	20.44	20.40	20.36	
1.4	QPSK	1	5	20.35	20.34	20.37	
1.4	QPSK	3	0	20.44	20.47	20.53	
1.4	QPSK	3	1	20.52	20.48	20.58	
1.4	QPSK	3	3	20.45	20.44	20.42	
1.4	QPSK	6	0	19.96	19.96	20.04	20.50
1.4	16QAM	1	0	20.14	19.85	20.33	21.00
1.4	16QAM	1	3	20.52	19.93	20.27	
1.4	16QAM	1	5	20.18	19.96	20.55	
1.4	16QAM	3	0	20.19	19.86	20.31	
1.4	16QAM	3	1	20.25	19.84	20.37	
1.4	16QAM	3	3	20.22	19.86	20.35	
1.4	16QAM	6	0	19.12	18.83	18.84	19.50
1.4	64QAM	1	0	20.22	19.86	20.06	20.50
1.4	64QAM	1	3	20.25	19.65	19.80	
1.4	64QAM	1	5	20.13	19.63	20.00	
1.4	64QAM	3	0	20.22	20.03	19.94	
1.4	64QAM	3	1	20.26	20.09	20.07	
1.4	64QAM	3	3	20.32	20.00	20.06	
1.4	64QAM	6	0	19.33	19.06	19.08	20.00



<LTE Band 4>

BW [MHz]	Modulation	RB Size	RB Offset	Low Ch.	Middle Ch.	High Ch.	Tune-up limit (dBm)
Channel				20050	20175	20300	
Frequency (MHz)				1720	1732.5	1745	
20	QPSK	1	0	19.51	19.65	19.64	20.00
20	QPSK	1	49	19.24	19.62	19.42	
20	QPSK	1	99	19.22	19.34	19.22	
20	QPSK	50	0	19.23	19.22	19.24	19.50
20	QPSK	50	24	19.22	19.21	19.22	
20	QPSK	50	50	19.16	19.32	19.22	
20	QPSK	100	0	19.43	19.18	19.27	19.50
20	16QAM	1	0	19.22	19.11	19.31	
20	16QAM	1	49	19.44	19.22	19.21	
20	16QAM	1	99	19.12	19.42	19.14	19.00
20	16QAM	50	0	18.41	18.48	18.22	
20	16QAM	50	24	18.39	18.37	18.38	
20	16QAM	50	50	18.42	18.22	18.27	19.00
20	16QAM	100	0	18.46	18.45	18.41	
20	64QAM	1	0	18.21	18.54	18.44	
20	64QAM	1	49	18.51	18.29	18.34	19.00
20	64QAM	1	99	18.21	18.12	18.22	
20	64QAM	50	0	18.47	18.45	18.21	
20	64QAM	50	24	18.48	18.44	18.42	19.00
20	64QAM	50	50	18.44	18.12	18.24	
20	64QAM	100	0	18.41	18.29	18.48	
Channel				20025	20175	20325	Tune-up limit (dBm)
Frequency (MHz)				1717.5	1732.5	1747.5	
15	QPSK	1	0	19.46	19.34	19.22	20.00
15	QPSK	1	37	19.31	19.24	19.44	
15	QPSK	1	74	19.22	19.34	19.42	
15	QPSK	36	0	19.27	19.28	19.31	19.50
15	QPSK	36	20	19.31	19.28	19.27	
15	QPSK	36	39	19.04	19.21	19.21	
15	QPSK	75	0	19.42	19.36	19.31	19.50
15	16QAM	1	0	19.42	19.12	19.11	
15	16QAM	1	37	19.22	19.42	19.31	



15	16QAM	1	74	19.11	19.31	19.11	
15	16QAM	36	0	18.37	18.36	18.54	19.00
15	16QAM	36	20	18.17	18.31	18.13	
15	16QAM	36	39	18.35	18.12	18.41	
15	16QAM	75	0	18.42	18.41	18.78	
15	64QAM	1	0	18.37	18.42	18.21	
15	64QAM	1	37	18.37	18.25	18.25	19.00
15	64QAM	1	74	18.33	18.44	18.52	
15	64QAM	36	0	18.38	18.37	18.62	
15	64QAM	36	20	18.34	18.22	18.48	19.00
15	64QAM	36	39	18.41	18.35	18.21	
15	64QAM	75	0	18.12	18.22	18.25	
Channel				20000	20175	20350	Tune-up limit (dBm)
Frequency (MHz)				1715	1732.5	1750	
10	QPSK	1	0	19.24	19.22	19.24	20.00
10	QPSK	1	25	19.25	19.42	19.22	
10	QPSK	1	49	19.23	19.21	19.21	
10	QPSK	25	0	19.21	19.34	19.12	19.50
10	QPSK	25	12	19.23	19.31	19.31	
10	QPSK	25	25	19.27	19.34	19.31	
10	QPSK	50	0	19.25	19.39	19.35	
10	16QAM	1	0	19.33	19.31	19.22	19.50
10	16QAM	1	25	19.28	19.21	19.12	
10	16QAM	1	49	19.31	19.31	19.24	
10	16QAM	25	0	18.37	18.49	18.34	19.00
10	16QAM	25	12	18.74	18.43	18.36	
10	16QAM	25	25	18.66	18.33	18.33	
10	16QAM	50	0	18.11	18.59	18.39	
10	64QAM	1	0	18.12	18.25	18.36	19.00
10	64QAM	1	25	18.21	18.34	18.31	
10	64QAM	1	49	18.35	18.14	18.32	
10	64QAM	25	0	18.51	18.41	18.18	19.00
10	64QAM	25	12	18.12	18.46	18.21	
10	64QAM	25	25	18.22	18.47	18.19	
10	64QAM	50	0	18.12	18.37	18.32	
Channel				19975	20175	20375	Tune-up limit
Frequency (MHz)				1712.5	1732.5	1752.5	



							(dBm)
5	QPSK	1	0	19.24	19.42	19.34	20.00
5	QPSK	1	12	19.14	19.24	19.26	
5	QPSK	1	24	19.31	19.42	19.24	
5	QPSK	12	0	19.25	19.39	19.24	19.50
5	QPSK	12	7	19.24	19.21	19.24	
5	QPSK	12	13	19.22	19.34	19.35	
5	QPSK	25	0	19.24	19.35	19.38	
5	16QAM	1	0	19.21	19.22	19.22	19.50
5	16QAM	1	12	19.16	19.22	19.22	
5	16QAM	1	24	19.12	19.22	19.14	
5	16QAM	12	0	18.49	18.29	18.54	19.00
5	16QAM	12	7	18.46	18.36	18.51	
5	16QAM	12	13	18.21	18.47	18.49	
5	16QAM	25	0	18.49	18.47	18.53	
5	64QAM	1	0	18.21	18.17	18.21	19.00
5	64QAM	1	12	18.42	18.22	18.21	
5	64QAM	1	24	18.24	18.12	18.21	
5	64QAM	12	0	18.35	18.33	18.11	19.00
5	64QAM	12	7	18.19	18.32	18.23	
5	64QAM	12	13	18.55	18.27	18.29	
5	64QAM	25	0	18.41	18.53	18.39	
Channel				19965	20175	20385	Tune-up limit (dBm)
Frequency (MHz)				1711.5	1732.5	1753.5	
3	QPSK	1	0	19.51	19.25	19.21	20.00
3	QPSK	1	8	19.37	19.26	19.12	
3	QPSK	1	14	19.11	19.24	19.21	
3	QPSK	8	0	19.11	19.21	19.42	19.50
3	QPSK	8	4	19.21	19.11	19.13	
3	QPSK	8	7	19.21	19.21	19.21	
3	QPSK	15	0	19.37	19.35	19.12	
3	16QAM	1	0	19.42	19.28	19.41	19.50
3	16QAM	1	8	19.11	19.21	19.12	
3	16QAM	1	14	19.21	19.46	19.22	
3	16QAM	8	0	18.46	18.21	18.61	19.00
3	16QAM	8	4	18.31	18.24	18.22	
3	16QAM	8	7	18.32	18.14	18.31	



3	16QAM	15	0	18.33	18.24	18.22	
3	64QAM	1	0	18.24	18.22	18.31	19.00
3	64QAM	1	8	18.34	18.22	18.22	
3	64QAM	1	14	18.56	18.62	18.24	
3	64QAM	8	0	18.46	18.45	18.33	19.00
3	64QAM	8	4	18.44	18.17	18.21	
3	64QAM	8	7	18.17	18.22	18.24	
3	64QAM	15	0	18.42	18.45	18.42	
Channel				19957	20175	20393	Tune-up limit (dBm)
Frequency (MHz)				1710.7	1732.5	1754.3	
1.4	QPSK	1	0	19.32	19.31	19.22	20.00
1.4	QPSK	1	3	19.22	19.14	19.22	
1.4	QPSK	1	5	19.14	19.21	19.11	
1.4	QPSK	3	0	19.22	19.31	19.25	
1.4	QPSK	3	1	19.12	19.13	19.22	
1.4	QPSK	3	3	19.12	19.16	19.14	
1.4	QPSK	6	0	19.14	19.31	19.22	20.00
1.4	16QAM	1	0	19.24	19.21	19.22	19.50
1.4	16QAM	1	3	19.12	19.22	19.21	
1.4	16QAM	1	5	19.15	19.24	19.22	
1.4	16QAM	3	0	19.12	19.13	19.24	
1.4	16QAM	3	1	19.14	19.24	19.31	
1.4	16QAM	3	3	19.12	19.22	19.25	
1.4	16QAM	6	0	19.17	19.13	19.12	19.50
1.4	64QAM	1	0	18.12	18.32	18.32	19.00
1.4	64QAM	1	3	18.22	18.12	18.32	
1.4	64QAM	1	5	18.34	18.14	18.44	
1.4	64QAM	3	0	18.22	18.26	18.22	
1.4	64QAM	3	1	18.44	18.41	18.34	
1.4	64QAM	3	3	18.47	18.45	18.42	
1.4	64QAM	6	0	18.39	18.51	18.37	19.00



<LTE Band 5>

BW [MHz]	Modulation	RB Size	RB Offset	Low Ch.	Middle Ch.	High Ch.	Tune-up limit (dBm)
Channel				20450	20525	20600	
Frequency (MHz)				829	836.5	844	
10	QPSK	1	0	22.12	22.45	22.03	23.00
10	QPSK	1	25	22.07	22.11	22.16	
10	QPSK	1	49	22.16	22.05	22.09	
10	QPSK	25	0	21.57	21.47	21.58	22.00
10	QPSK	25	12	21.54	21.61	21.53	
10	QPSK	25	25	21.65	21.67	21.66	
10	QPSK	50	0	21.50	21.53	21.49	
10	16QAM	1	0	21.94	21.55	21.89	22.00
10	16QAM	1	25	21.94	21.62	21.62	
10	16QAM	1	49	21.80	21.52	21.55	
10	16QAM	25	0	20.66	20.88	20.74	21.00
10	16QAM	25	12	20.52	20.86	20.66	
10	16QAM	25	25	20.69	20.77	20.87	
10	16QAM	50	0	20.66	20.83	20.58	
10	64QAM	1	0	20.66	20.59	20.81	21.00
10	64QAM	1	25	20.56	20.65	20.66	
10	64QAM	1	49	20.66	20.55	20.66	
10	64QAM	25	0	20.69	20.54	20.91	21.00
10	64QAM	25	12	20.63	20.81	20.62	
10	64QAM	25	25	20.66	20.97	20.91	
10	64QAM	50	0	20.61	20.97	20.72	
Channel				20425	20525	20625	Tune-up limit (dBm)
Frequency (MHz)				826.5	836.5	846.5	
5	QPSK	1	0	22.00	21.98	22.07	23.00
5	QPSK	1	12	22.17	21.99	22.19	
5	QPSK	1	24	22.09	22.02	22.25	
5	QPSK	12	0	21.59	21.61	21.54	22.00
5	QPSK	12	7	21.76	21.68	21.65	
5	QPSK	12	13	21.64	21.61	21.56	
5	QPSK	25	0	21.63	21.67	21.56	
5	16QAM	1	0	21.66	21.58	21.82	22.00
5	16QAM	1	12	21.68	21.62	21.72	



5	16QAM	1	24	21.66	21.72	21.77	
5	16QAM	12	0	20.95	20.66	20.58	21.00
5	16QAM	12	7	20.63	20.83	20.97	
5	16QAM	12	13	20.71	20.84	20.95	
5	16QAM	25	0	20.85	20.78	20.93	
5	64QAM	1	0	20.77	20.57	20.81	
5	64QAM	1	12	20.75	20.84	20.66	21.00
5	64QAM	1	24	20.64	20.51	20.56	
5	64QAM	12	0	20.74	20.66	20.43	
5	64QAM	12	7	20.54	20.71	20.65	21.00
5	64QAM	12	13	20.49	20.79	20.77	
5	64QAM	25	0	20.63	20.91	20.66	
Channel				20415	20525	20635	Tune-up limit (dBm)
Frequency (MHz)				825.5	836.5	847.5	
3	QPSK	1	0	22.03	22.42	22.17	23.00
3	QPSK	1	8	22.08	22.23	22.16	
3	QPSK	1	14	22.36	22.42	22.15	
3	QPSK	8	0	21.62	21.71	21.69	22.00
3	QPSK	8	4	21.63	21.59	21.69	
3	QPSK	8	7	21.46	21.61	21.68	
3	QPSK	15	0	21.62	21.93	21.56	
3	16QAM	1	0	21.55	21.91	21.53	22.00
3	16QAM	1	8	21.66	21.59	21.55	
3	16QAM	1	14	21.86	21.52	21.62	
3	16QAM	8	0	20.92	20.83	20.76	21.00
3	16QAM	8	4	20.88	20.78	20.81	
3	16QAM	8	7	20.91	20.69	20.72	
3	16QAM	15	0	20.55	20.62	20.53	
3	64QAM	1	0	20.55	20.55	20.64	21.00
3	64QAM	1	8	20.51	20.59	20.56	
3	64QAM	1	14	20.62	20.54	20.72	
3	64QAM	8	0	20.65	20.69	20.76	21.00
3	64QAM	8	4	20.62	20.68	20.77	
3	64QAM	8	7	20.66	20.66	20.78	
3	64QAM	15	0	20.72	20.75	20.52	
Channel				20407	20525	20643	Tune-up limit
Frequency (MHz)				824.7	836.5	848.3	



							(dBm)
1.4	QPSK	1	0	22.32	22.24	22.22	23.00
1.4	QPSK	1	3	22.25	22.16	22.24	
1.4	QPSK	1	5	22.28	22.16	22.13	
1.4	QPSK	3	0	22.26	22.23	22.16	
1.4	QPSK	3	1	22.18	22.18	22.22	
1.4	QPSK	3	3	22.26	22.14	22.26	
1.4	QPSK	6	0	21.53	21.63	21.39	22.00
1.4	16QAM	1	0	21.55	21.55	21.66	22.00
1.4	16QAM	1	3	21.62	21.62	21.53	
1.4	16QAM	1	5	21.55	21.75	21.66	
1.4	16QAM	3	0	21.74	21.97	21.78	
1.4	16QAM	3	1	21.66	21.81	21.55	
1.4	16QAM	3	3	21.65	21.93	21.77	
1.4	16QAM	6	0	20.52	20.54	20.59	21.00
1.4	64QAM	1	0	20.72	20.54	20.56	21.00
1.4	64QAM	1	3	20.66	20.69	20.75	
1.4	64QAM	1	5	20.81	20.56	20.55	
1.4	64QAM	3	0	20.64	20.71	20.65	
1.4	64QAM	3	1	20.76	20.64	20.52	
1.4	64QAM	3	3	20.85	20.67	20.62	
1.4	64QAM	6	0	20.93	20.55	20.58	21.00

<LTE Band 7>

BW [MHz]	Modulation	RB Size	RB Offset	Low Ch.	Middle Ch.	High Ch.	Tune-up limit (dBm)
Channel				20850	21100	21350	23.00
Frequency (MHz)				2510	2535	2560	
20	QPSK	1	0	22.66	22.83	22.72	23.00
20	QPSK	1	49	22.58	22.71	22.62	
20	QPSK	1	99	22.61	22.59	22.55	
20	QPSK	50	0	21.74	21.77	21.76	22.00
20	QPSK	50	24	21.69	21.66	21.59	
20	QPSK	50	50	21.73	21.57	21.56	
20	QPSK	100	0	21.95	21.99	21.87	
20	16QAM	1	0	21.58	21.55	21.66	22.00
20	16QAM	1	49	21.53	21.62	21.53	
20	16QAM	1	99	21.36	21.66	21.62	



20	16QAM	50	0	21.55	21.75	21.55	22.00
20	16QAM	50	24	21.62	21.66	21.62	
20	16QAM	50	50	21.62	21.71	21.72	
20	16QAM	100	0	21.62	21.58	21.52	
20	64QAM	1	0	21.56	21.91	21.66	22.00
20	64QAM	1	49	21.56	21.89	21.75	
20	64QAM	1	99	21.66	21.93	21.62	
20	64QAM	50	0	20.68	20.77	20.68	21.00
20	64QAM	50	24	20.88	20.73	20.65	
20	64QAM	50	50	20.69	20.62	20.75	
20	64QAM	100	0	20.66	20.56	20.64	
Channel				20825	21100	21375	Tune-up limit (dBm)
Frequency (MHz)				2507.5	2535	2562.5	
15	QPSK	1	0	22.56	22.62	22.59	23.00
15	QPSK	1	37	22.63	22.54	22.59	
15	QPSK	1	74	22.54	22.51	22.61	
15	QPSK	36	0	21.86	21.91	21.87	22.00
15	QPSK	36	20	21.82	21.55	21.56	
15	QPSK	36	39	21.92	21.89	21.97	
15	QPSK	75	0	21.95	21.93	21.66	
15	16QAM	1	0	21.62	21.62	21.63	22.00
15	16QAM	1	37	21.64	21.52	21.66	
15	16QAM	1	74	21.56	21.51	21.57	
15	16QAM	36	0	21.58	21.66	21.72	22.00
15	16QAM	36	20	21.65	21.56	21.55	
15	16QAM	36	39	21.92	21.65	21.62	
15	16QAM	75	0	21.65	21.55	21.75	
15	64QAM	1	0	21.85	21.66	21.78	22.00
15	64QAM	1	37	21.62	21.63	21.58	
15	64QAM	1	74	21.55	21.62	21.77	
15	64QAM	36	0	20.58	20.66	20.62	21.00
15	64QAM	36	20	20.62	20.85	20.56	
15	64QAM	36	39	20.56	20.62	20.88	
15	64QAM	75	0	20.55	20.61	20.66	
Channel				20800	21100	21400	Tune-up limit (dBm)
Frequency (MHz)				2505	2535	2565	



10	QPSK	1	0	22.56	22.56	22.59	23.00
10	QPSK	1	25	22.55	22.58	22.44	
10	QPSK	1	49	22.32	22.66	22.36	
10	QPSK	25	0	21.75	21.93	21.88	22.00
10	QPSK	25	12	21.77	21.69	21.95	
10	QPSK	25	25	21.82	21.96	21.91	
10	QPSK	50	0	21.93	21.91	21.84	22.00
10	16QAM	1	0	21.66	21.62	21.66	
10	16QAM	1	25	21.62	21.55	21.57	
10	16QAM	1	49	21.55	21.85	21.62	22.00
10	16QAM	25	0	21.85	21.55	21.55	
10	16QAM	25	12	21.93	21.55	21.62	
10	16QAM	25	25	21.63	21.92	21.54	22.00
10	16QAM	50	0	21.62	21.66	21.62	
10	64QAM	1	0	21.55	21.62	21.66	
10	64QAM	1	25	21.56	21.62	21.57	22.00
10	64QAM	1	49	21.58	21.62	21.62	
10	64QAM	25	0	20.85	20.85	20.88	
10	64QAM	25	12	20.62	20.62	20.72	21.00
10	64QAM	25	25	20.62	20.55	20.69	
10	64QAM	50	0	20.77	20.66	20.74	
Channel				20775	21100	21425	Tune-up limit (dBm)
Frequency (MHz)				2502.5	2535	2567.5	
5	QPSK	1	0	22.58	22.52	22.36	23.00
5	QPSK	1	12	22.61	22.56	22.52	
5	QPSK	1	24	22.52	22.46	22.58	
5	QPSK	12	0	21.86	21.83	21.55	22.00
5	QPSK	12	7	21.66	21.56	21.88	
5	QPSK	12	13	21.88	21.66	21.66	
5	QPSK	25	0	21.76	21.85	21.86	22.00
5	16QAM	1	0	21.62	21.59	21.62	
5	16QAM	1	12	21.56	21.62	21.73	
5	16QAM	1	24	21.56	21.52	21.73	22.00
5	16QAM	12	0	21.53	21.62	21.62	
5	16QAM	12	7	21.52	21.55	21.55	
5	16QAM	12	13	21.55	21.53	21.62	22.00
5	16QAM	25	0	21.62	21.56	21.66	



5	64QAM	1	0	21.56	21.63	21.52	22.00
5	64QAM	1	12	21.66	21.61	21.63	
5	64QAM	1	24	21.68	21.62	21.62	
5	64QAM	12	0	20.85	20.89	20.82	21.00
5	64QAM	12	7	20.79	20.55	20.62	
5	64QAM	12	13	20.89	20.66	20.72	
5	64QAM	25	0	20.94	20.54	20.76	

<TDD-LTE Band 38>

BW [MHz]	Modulation	RB Size	RB Offset	Low Ch.	Middle Ch.	High Ch.	Tune-up limit (dBm)
Channel				37850	38000	38150	Tune-up limit (dBm)
Frequency (MHz)				2580	2595	2610	
20	QPSK	1	0	22.56	22.61	22.51	23.00
20	QPSK	1	49	22.53	22.52	22.56	
20	QPSK	1	99	22.55	22.52	22.52	
20	QPSK	50	0	21.72	21.88	21.79	22.00
20	QPSK	50	24	21.83	21.82	21.68	
20	QPSK	50	50	21.79	21.62	21.75	
20	QPSK	100	0	21.76	21.68	21.66	
20	16QAM	1	0	21.73	21.58	21.61	22.00
20	16QAM	1	49	21.63	21.68	21.58	
20	16QAM	1	99	21.61	21.61	21.69	
20	16QAM	50	0	21.22	21.26	21.16	21.50
20	16QAM	50	24	21.17	21.31	21.26	
20	16QAM	50	50	21.16	21.18	21.21	
20	16QAM	100	0	21.16	21.16	21.16	
20	64QAM	1	0	21.42	21.23	21.12	21.50
20	64QAM	1	49	21.41	21.13	21.22	
20	64QAM	1	99	21.35	21.21	21.11	
20	64QAM	50	0	21.14	21.21	21.26	21.50
20	64QAM	50	24	21.12	21.24	21.21	
20	64QAM	50	50	21.22	21.23	21.17	
20	64QAM	100	0	21.08	21.21	21.19	
Channel				37825	38000	38175	Tune-up limit (dBm)
Frequency (MHz)				2577.5	2595	2612.5	
15	QPSK	1	0	22.52	22.36	22.47	23.00



15	QPSK	1	37	22.51	22.47	22.53	
15	QPSK	1	74	22.45	22.41	22.51	
15	QPSK	36	0	21.66	21.73	21.79	22.00
15	QPSK	36	20	21.86	21.66	21.68	
15	QPSK	36	39	21.67	21.59	21.85	
15	QPSK	75	0	21.66	21.66	21.62	
15	16QAM	1	0	21.55	21.67	21.62	
15	16QAM	1	37	21.62	21.56	21.75	22.00
15	16QAM	1	74	21.62	21.57	21.63	
15	16QAM	36	0	21.13	21.18	21.12	
15	16QAM	36	20	21.09	21.13	21.15	21.50
15	16QAM	36	39	21.09	21.11	21.13	
15	16QAM	75	0	21.19	21.23	21.26	
15	64QAM	1	0	21.16	21.17	21.19	
15	64QAM	1	37	21.47	21.15	21.29	21.50
15	64QAM	1	74	21.27	21.22	21.24	
15	64QAM	36	0	21.11	21.23	21.29	
15	64QAM	36	20	21.11	21.27	21.27	21.50
15	64QAM	36	39	21.18	21.24	21.26	
15	64QAM	75	0	21.11	21.22	21.16	
Channel				37800	38000	38200	
Frequency (MHz)				2575	2595	2615	
10	QPSK	1	0	22.52	22.57	22.32	23.00
10	QPSK	1	25	22.25	22.56	22.32	
10	QPSK	1	49	22.18	22.38	22.27	
10	QPSK	25	0	21.88	21.88	21.86	22.00
10	QPSK	25	12	21.72	21.66	21.59	
10	QPSK	25	25	21.66	21.57	21.72	
10	QPSK	50	0	21.56	21.66	21.86	
10	16QAM	1	0	21.69	21.67	21.85	22.00
10	16QAM	1	25	21.69	21.69	21.74	
10	16QAM	1	49	21.63	21.58	21.67	
10	16QAM	25	0	21.07	21.22	21.27	21.50
10	16QAM	25	12	21.09	21.21	21.31	
10	16QAM	25	25	21.03	21.16	21.16	
10	16QAM	50	0	21.11	21.23	21.21	
10	64QAM	1	0	21.42	21.23	21.21	21.50



10	64QAM	1	25	21.31	21.26	21.25	21.50
10	64QAM	1	49	21.33	21.21	21.25	
10	64QAM	25	0	21.26	21.15	21.32	
10	64QAM	25	12	21.27	21.25	21.24	
10	64QAM	25	25	21.26	21.31	21.21	
10	64QAM	50	0	21.17	21.27	21.29	
Channel				37775	38000	38225	Tune-up limit (dBm)
Frequency (MHz)				2572.5	2595	2617.5	
5	QPSK	1	0	22.19	22.55	22.57	23.00
5	QPSK	1	12	22.25	22.41	22.26	
5	QPSK	1	24	22.27	22.59	22.28	
5	QPSK	12	0	21.66	21.76	21.81	22.00
5	QPSK	12	7	21.65	21.66	21.62	
5	QPSK	12	13	21.75	21.55	21.66	
5	QPSK	25	0	21.78	21.62	21.86	
5	16QAM	1	0	21.66	21.53	21.67	22.00
5	16QAM	1	12	21.58	21.58	21.73	
5	16QAM	1	24	21.56	21.55	21.64	
5	16QAM	12	0	21.18	21.16	21.25	21.50
5	16QAM	12	7	21.15	21.18	21.29	
5	16QAM	12	13	21.08	21.15	21.03	
5	16QAM	25	0	21.13	21.17	21.16	
5	64QAM	1	0	21.22	21.18	21.18	21.50
5	64QAM	1	12	21.31	21.21	21.32	
5	64QAM	1	24	21.17	21.19	21.18	
5	64QAM	12	0	21.12	21.11	21.19	21.50
5	64QAM	12	7	21.21	21.23	21.09	
5	64QAM	12	13	21.14	21.09	21.15	
5	64QAM	25	0	21.29	21.21	21.25	



➤ **WLAN Conducted Power**

<2.4GHz WLAN>

	Mode	Channel	Frequency (MHz)	Average power (dBm)	Tune-Up Limit	Power Setting	Duty Cycle %
2.4GHz WLAN	802.11b 1Mbps	CH 1	2412	13.09	13.50	17.00	100.00
		CH 7	2442	12.19	12.50	17.00	
		CH 13	2472	12.70	13.00	17.00	
	802.11g 6Mbps	CH 1	2412	7.70	8.00	15.00	100.00
		CH 7	2442	8.71	9.00	15.00	
		CH 13	2472	7.58	8.00	15.00	
	802.11n-HT20 MCS0	CH 1	2412	6.95	7.50	15.00	100.00
		CH 7	2442	5.39	5.50	15.00	
		CH 13	2472	6.04	6.50	15.00	

Note:

- Per KDB 447498 D01v06, the 1-g SAR test exclusion thresholds for 100 MHz to 6 GHz at *test separation distances* ≤ 50 mm are determined by:

$$[(\text{max. power of channel, including tune-up tolerance, mW}) / (\text{min. test separation distance, mm})] \cdot [\sqrt{f(\text{GHz})}] \leq 3.0 \text{ for 1-g SAR, where}$$

- f(GHz) is the RF channel transmit frequency in GHz
- Power and distance are rounded to the nearest mW and mm before calculation
- The result is rounded to one decimal place for comparison

Ch	Frequency (GHz)	Max. Tune-up Power (dBm)	Max. Power (mW)	Test distance (mm)	Result	exclusion thresholds for 1-g SAR
CH 1	2.412	13.50	22.39	5	6.95	3.0

- Base on the result of note1, RF exposure evaluation of 802.11 b and g mode is required.
- Per KDB 248227 D01v02r02, choose the highest output power channel to test SAR and determine further SAR exclusion.
- Per KDB 248227 D01v02r02, In the 2.4 GHz band, separate SAR procedures are applied to DSSS and OFDM configurations to simplify DSSS test requirements. SAR is not required for the following 2.4 GHz OFDM conditions:
 - 1) When KDB Publication 447498 SAR test exclusion applies to the OFDM configuration.
 - 2) When the highest reported SAR for DSSS is adjusted by the ratio of OFDM to DSSS specified maximum output power and the adjusted SAR is ≤ 1.2 W/kg.
- The output power of all data rate were pre-scan, just the worst case (the lowest data rate) of all mode were shown in report.

> **Bluetooth Conducted Power**

Mode	Channel	Frequency (MHz)	Average power (dBm)		
			1Mbps	2Mbps	3Mbps
BR / EDR	CH 00	2402	-0.19	-0.26	-0.09
	CH 39	2441	0.36	-0.72	-0.67
	CH 78	2480	-1.09	-2.10	-2.20
Tune-up Limit (dBm)			0.50	0.50	0.50

Mode	Channel	Frequency (MHz)	Average power (dBm)
			1Mbps
LE	CH 00	2402	-1.90
	CH 19	2440	-0.26
	CH 39	2480	-1.50
Tune-up Limit (dBm)			0.50

Note:

1. The Bluetooth duty cycle are 77.2 %, 76.80%, 77.20% for BR/EDR, and 62.62%, 62.62% for LE, according to 2016 Oct. TCB workshop for Bluetooth SAR consideration and the theoretical duty cycle is 83.3%, the refore the actual duty cycle will bescaled up to the theoretical value of Bluetooth reported SAR calculation.

2. Per KDB 447498 D01v06, the 1-g SAR test exclusion thresholds for 100 MHz to 6 GHz at *test separation distances* ≤50 mm are determined by:

$[(\text{max. power of channel, including tune-up tolerance, mW}) / (\text{min. test separation distance, mm})] \cdot [\sqrt{f(\text{GHz})}] \leq 3.0$ for 1-g SAR, where

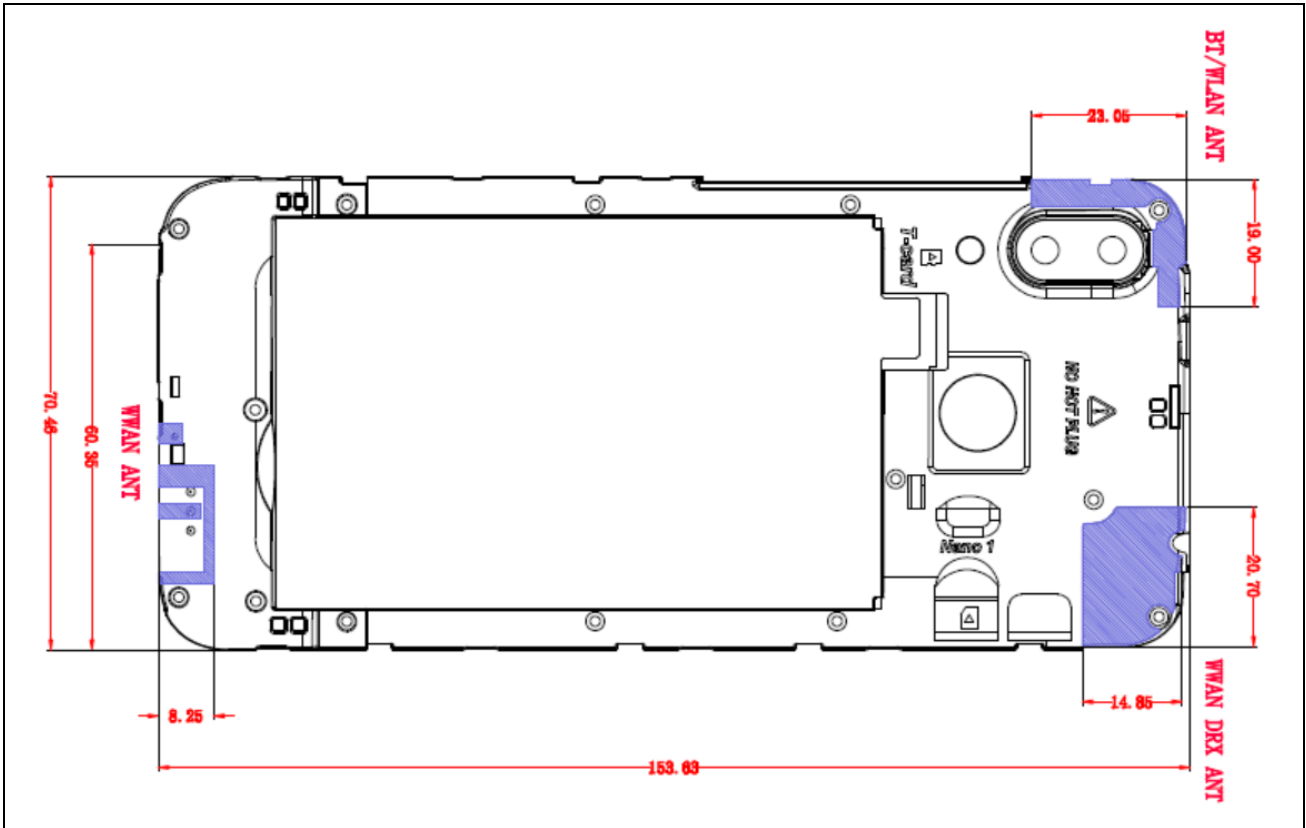
- $f(\text{GHz})$ is the RF channel transmit frequency in GHz
- Power and distance are rounded to the nearest mW and mm before calculation
- The result is rounded to one decimal place for comparison

Channel	Frequency (GHz)	Max. Tune-up Power (dBm)	Max. Power (mW)	Test distance (mm)	Result	exclusion thresholds for 1-g SAR
CH 39	2.441	0.5	1.12	10.0	0.1899	3.0

- Per KDB 248227 D01v02r02, choose the highest output power channel to test SAR and determine further SAR exclusion.
- The output power of all data rate were pre-scan, just the worst case (the lowest data rate) of all mode were shown in report.
- Per KDB 248227 D01V02r02 section 2.2, when the EUT in continuously transmitting mode, the actual duty cycle is 100%, so the duty cycle factor is 1.
- Held-to ear configurations are not applicable to Bluetooth operations and therefore were not considered for simultaneous transmission.

14. Hot-Spot Mode Evaluation Procedure

14.1. EUT Antenna Location



WWAN ANT supported TX bands:
 GSM 850/1900
 UMTS Band II/V
 FDD LTE Band 2/4/5/7
 TDD LTE Band 38
 WLAN antenna supported bands : 2.4GHz/BT

EUT Antenna Distance:

Antenna Location	Support Function	Top Side(mm)	Bottom Side(mm)	Left Side(mm)	Right Side(mm)
WWAN ANT	TX/RX	153.63	<25	<25	10.11
WWAN DRX ANT	TX/RX	<25	138.58	<25	49.76
WLAN/BT ANT	TX/RX	<25	129.58	51.46	<25

**Hotspot Evaluation:**

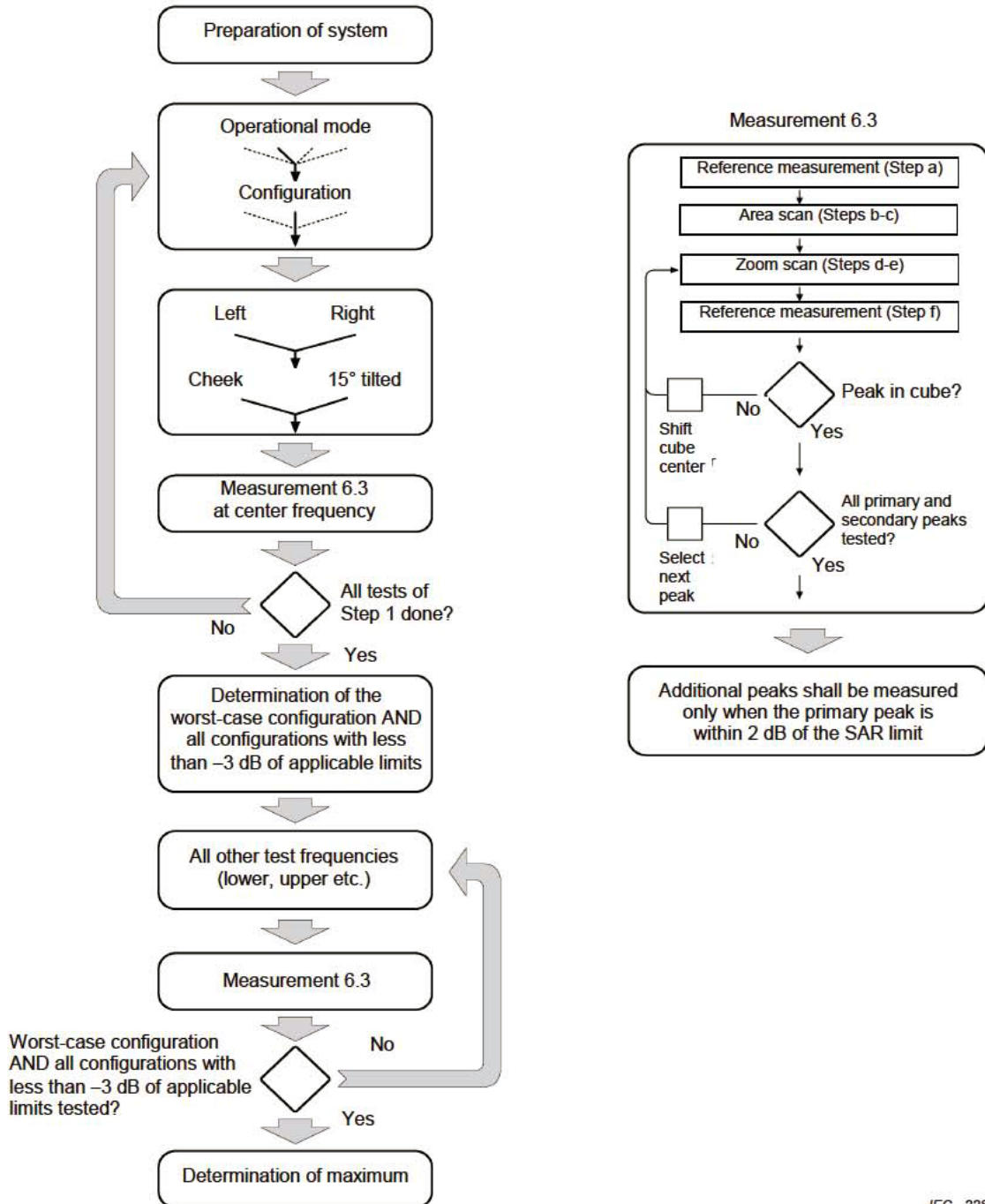
Assessment	Hotspot side for SAR Test distance: 10mm					
Antennas	Back	Front	Top	Bottom	Left	Right
WWAN ANT	Yes	Yes	No	Yes	Yes	Yes
WLAN/BT ANT	Yes	Yes	Yes	No	No	Yes

Note :

1. The SAR evaluation procedures for Portable Devices with Wireless Router function is according to KDB 941225 D06 Hotspot SAR v02r01.
2. Head/Body-worn/Hotspot mode SAR assessments are required.
3. Referring to KDB 941225 D06, when the overall device length and width are $\geq 9\text{cm} \times 5\text{cm}$, the test distance is 10 mm. SAR must be measured for all sides and surfaces with a transmitting antenna located within 25mm from that surface or edge.
4. For WWAN antenna, SAR measurements at Top side are not required since the distance between DUT and flat phantom $> 25\text{mm}$.
5. For WLAN&BT antenna, SAR measurements Bottom side and Right side are not required since the distance between DUT and flat phantom $> 25\text{mm}$.

15. Block diagram of the tests to be performed

15.1. Head



IEC 228/05

15.2. Body

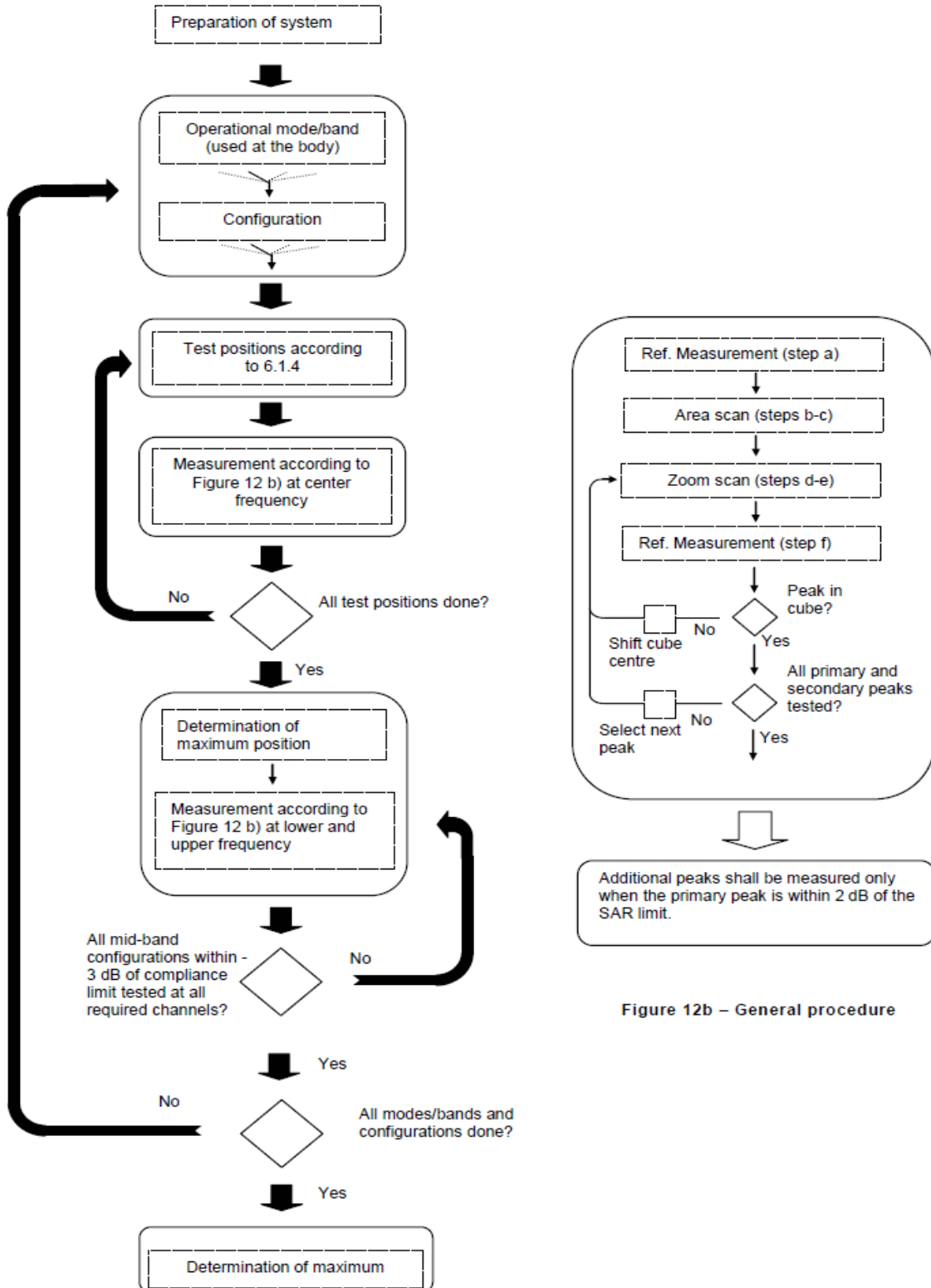


Figure 12b – General procedure

16. Test Results List

16.1. Test Guidance

1. Per KDB 447498 D01v06, the reported SAR is the measured SAR value adjusted for maximum tune-up tolerance.
 - a. Tune-up scaling Factor = tune-up limit power (mW) / EUT RF power (mW), where tune-up limit is the maximum rated power among all production units.
 - b. For SAR testing of WLAN signal with non-100% duty cycle, the measured SAR is scaled-up by the duty cycle scaling factor which is equal to "1/(duty cycle)"
 - c. For WWAN: Reported SAR(W/kg)= Measured SAR(W/kg)*Tune-up Scaling Factor
 - d. For WLAN/Bluetooth: Reported SAR(W/kg)= Measured SAR(W/kg) * Duty Cycle scaling factor * Tune-up scaling factor
2. Per KDB 447498 D01v06, for each exposure position, testing of other required channels within the operating mode of a frequency band is not required when the *reported* 1-g or 10-g SAR for the mid-band or highest output power channel is:
 - ≤ 0.8 W/kg or 2.0 W/kg, for 1-g or 10-g respectively, when the transmission band is ≤ 100 MHz
 - ≤ 0.6 W/kg or 1.5 W/kg, for 1-g or 10-g respectively, when the transmission band is between 100 MHz and 200 MHz
 - ≤ 0.4 W/kg or 1.0 W/kg, for 1-g or 10-g respectively, when the transmission band is ≥ 200 MHz
3. Per KDB 865664 D01v01r04, for each frequency band, repeated SAR measurement is required only when the measured SAR is ≥ 0.8 W/kg.
4. Per KDB 648474 D04v01r03, when the reported SAR for a body-worn accessory measured without a headset connected to the handset is ≤ 1.2 W/kg, SAR testing with a headset connected to the handset is not required.
5. Per KDB648474 D04v01r03, for smart phones with a display diagonal dimension > 15.0 cm or an overall diagonal dimension > 16.0 cm, when hotspot mode applies, 10-g extremity SAR is required only for the surfaces and edges with hotspot mode 1-g reported SAR > 1.2 W/kg, however, when power reduction applies to hotspot mode the measured SAR must be scaled to the maximum output power, including tolerance, allowed for tablet modes to compare with the 1.2 W/kg SAR test reduction threshold.
6. Per KDB248227 D01v02r02,a Wi-Fi device must be configured to transmit continuously at the required data rate, channel bandwidth and signal modulation, using the highest transmission duty factor supported by the test mode tools for SAR measurement. The test frequencies



established using test mode must correspond to the actual channel frequencies required for operations in the U.S. When 802.11 frame gaps are accounted for in the transmission, a maximum transmission duty factor of 92 - 96% is typically achievable in most test mode configurations. A minimum transmission duty factor of 85% is required to avoid certain hardware and device implementation issues related to wide range SAR scaling. In addition, a periodic transmission duty factor is required for current generation SAR systems to measure SAR correctly. Unless it is permitted by specific KDB procedures or continuous transmission is specifically restricted by the device, the reported SAR must be scaled to 100% transmission duty factor to determine compliance at the maximum tune-up tolerance limit. When a device is not capable of sustaining continuous transmission or the output can become nonlinear, and it is limited by hardware design and unable to transmit at higher than 85% duty factor, a periodic duty factor within 15% of the maximum duty factor the device is capable of transmitting should be used. The reported SAR must be scaled to the maximum transmission duty factor to determine compliance. Descriptions of the procedures applied to establish the specific duty factor used for SAR testing are required in SAR reports to support the test results.

7. Per KDB648474 D04v01r03, when the aggregate SAR from multiple antennas at any location in the combined SAR distribution is either ≤ 1.2 W/kg where at least 90% of the SAR is attributed to a single SAR distribution or ≤ 0.4 W/kg where no more than one SAR distribution is contributing > 0.1 W/kg, the antennas may be considered spatially separated. In this report, the MIMO mode SAR is not required for the SAR of the WLAN antennas on the top side and bottom side are less than 1.2 W/kg on 1-g.
8. LTE band 17 SAR test was covered by Band 12; according to April 2015 TCB workshop, SAR test for overlapping LTE bands can be reduced if
 - a. the maximum output power, including tolerance, for the smaller band is \leq the larger band to qualify for the SAR test exclusion.
 - b. the channel bandwidth and other operating parameters for the smaller band are fully supported by the larger band.



16.2. Head SAR Data

➤ GSM Head SAR

Plot No.	Band/Mode	Test Position	CH.	Ave. Power (dBm)	Tune-up Limit (dBm)	Tune-up Scaling Factor	Meas. SAR1g (W/kg)	Reported SAR1g (W/kg)
1#	GPRS850/2TX slots	Right Cheek	189	31.39	32.00	1.151	0.291	0.335
	GPRS850/2TX slots	Right Tilt	189	31.39	32.00	1.151	0.143	0.165
	GPRS850/2TX slots	Left Cheek	189	31.39	32.00	1.151	0.239	0.275
	GPRS850/2TX slots	Left Tilt	189	31.39	32.00	1.151	0.146	0.168
2#	GPRS1900/3TX slots	Right Cheek	661	24.76	25.00	1.057	0.052	0.055
	GPRS1900/3TX slots	Right Tilt	661	24.76	25.00	1.057	0.014	0.015
	GPRS1900/3TX slots	Left Cheek	661	24.76	25.00	1.057	0.035	0.037
	GPRS1900/3TX slots	Left Tilt	661	24.76	25.00	1.057	0.023	0.024

➤ WCDMA Head SAR

Plot No.	Band/Mode	Test Position	CH.	Ave. Power (dBm)	Tune-up Limit (dBm)	Tune-up Scaling Factor	Meas. SAR1g (W/kg)	Reported SAR1g (W/kg)
3#	Band II/RMC	Right Cheek	9400	20.80	21.00	1.047	0.051	0.053
	Band II/RMC	Right Tilt	9400	20.80	21.00	1.047	0.013	0.013
	Band II/RMC	Left Cheek	9400	20.80	21.00	1.047	0.034	0.036
	Band II/RMC	Left Tilt	9400	20.80	21.00	1.047	0.015	0.016
4#	Band V/RMC	Right Cheek	4183	23.12	23.50	1.091	0.156	0.170
	Band V/RMC	Right Tilt	4183	23.12	23.50	1.091	0.091	0.100
	Band V/RMC	Left Cheek	4183	23.12	23.50	1.091	0.134	0.146
	Band V/RMC	Left Tilt	4183	23.12	23.50	1.091	0.075	0.082



➤ FDD-LTE QPSK Head SAR

Plot No.	Band/Mode	Test Position	CH.	Ave. Power (dBm)	Tune-up Limit (dBm)	Tune-up Scaling Factor	Meas. SAR1g (W/kg)	Reported SAR1g (W/kg)
5#	LTE Band 2/1RB#0 20M	Right Cheek	18900	20.56	21.00	1.107	0.063	0.070
	LTE Band 2/1RB#0 20M	Right Tilt	18900	20.56	21.00	1.107	0.029	0.032
	LTE Band 2/1RB#0 20M	Left Cheek	18900	20.56	21.00	1.107	0.043	0.048
	LTE Band 2/1RB#0 20M	Left Tilt	18900	20.56	21.00	1.107	0.027	0.030
	LTE Band 2/50RB#50 20M	Right Cheek	18900	20.05	20.50	1.109	0.061	0.067
	LTE Band 2/50RB#50 20M	Right Tilt	18900	20.05	20.50	1.109	0.027	0.030
	LTE Band 2/50RB#50 20M	Left Cheek	18900	20.05	20.50	1.109	0.042	0.047
	LTE Band 2/50RB#50 20M	Left Tilt	18900	20.05	20.50	1.109	0.024	0.027
	LTE Band 4/1RB#0 20M	Right Cheek	20175	19.65	20.00	1.084	0.025	0.028
	LTE Band 4/1RB#0 20M	Right Tilt	20175	19.65	20.00	1.084	0.038	0.041
6#	LTE Band 4/1RB#0 20M	Left Cheek	20175	19.65	20.00	1.084	0.060	0.065
	LTE Band 4/1RB#0 20M	Left Tilt	20175	19.65	20.00	1.084	0.031	0.033
	LTE Band 4/50RB#50 20M	Right Cheek	20175	19.32	19.50	1.042	0.024	0.025
	LTE Band 4/50RB#50 20M	Right Tilt	20175	19.32	19.50	1.042	0.034	0.036
	LTE Band 4/50RB#50 20M	Left Cheek	20175	19.32	19.50	1.042	0.053	0.055
	LTE Band 4/50RB#50 20M	Left Tilt	20175	19.32	19.50	1.042	0.026	0.027
7#	LTE Band 5/1RB#0 10M	Right Cheek	20525	22.45	23.00	1.135	0.139	0.158
	LTE Band 5/1RB#0 10M	Right Tilt	20525	22.45	23.00	1.135	0.083	0.094
	LTE Band 5/1RB#0 10M	Left Cheek	20525	22.45	23.00	1.135	0.122	0.138
	LTE Band 5/1RB#0 10M	Left Tilt	20525	22.45	23.00	1.135	0.072	0.081
	LTE Band 5/25RB#25 10M	Right Cheek	20525	21.67	22.00	1.079	0.127	0.137
	LTE Band 5/25RB#25 10M	Right Tilt	20525	21.67	22.00	1.079	0.073	0.079
	LTE Band 5/25RB#25 10M	Left Cheek	20525	21.67	22.00	1.079	0.110	0.119
	LTE Band 5/25RB#25 10M	Left Tilt	20525	21.67	22.00	1.079	0.065	0.070



Plot No.	Band/Mode	Test Position	CH.	Ave. Power (dBm)	Tune-up Limit (dBm)	Tune-up Scaling Factor	Meas. SAR1g (W/kg)	Reported SAR1g (W/kg)
8#	LTE Band 7/1RB#0 20M	Right Cheek	21100	22.83	23.00	1.040	0.136	0.141
	LTE Band 7/1RB#0 20M	Right Tilt	21100	22.83	23.00	1.040	0.026	0.027
	LTE Band 7/1RB#0 20M	Left Cheek	21100	22.83	23.00	1.040	0.070	0.073
	LTE Band 7/1RB#0 20M	Left Tilt	21100	22.83	23.00	1.040	0.056	0.058
	LTE Band 7/50RB#0 20M	Right Cheek	21100	21.77	22.00	1.054	0.118	0.124
	LTE Band 7/50RB#0 20M	Right Tilt	21100	21.77	22.00	1.054	0.024	0.025
	LTE Band 7/50RB#0 20M	Left Cheek	21100	21.77	22.00	1.054	0.064	0.067
	LTE Band 7/50RB#0 20M	Left Tilt	21100	21.77	22.00	1.054	0.052	0.055

➤ **TDD-LTE QPSK Head SAR**

Plot No.	Band/Mode	Test Position	CH.	Ave. Power (dBm)	Tune-up Limit (dBm)	Tune-up Scaling Factor	Meas. SAR1g (W/kg)	Reported SAR1g (W/kg)
9#	LTE Band 38/1RB#0 20M	Right Cheek	38000	22.61	23.00	1.094	0.042	0.046
	LTE Band 38/1RB#0 20M	Right Tilt	38000	22.61	23.00	1.094	0.010	0.011
	LTE Band 38/1RB#0 20M	Left Cheek	38000	22.61	23.00	1.094	0.025	0.027
	LTE Band 38/1RB#0 20M	Left Tilt	38000	22.61	23.00	1.094	0.018	0.020
	LTE Band 38/50RB#0 20M	Right Cheek	38000	21.88	22.00	1.028	0.035	0.036
	LTE Band 38/50RB#0 20M	Right Tilt	38000	21.88	22.00	1.028	0.008	0.008
	LTE Band 38/50RB#0 20M	Left Cheek	38000	21.88	22.00	1.028	0.019	0.020
	LTE Band 38/50RB#0 20M	Left Tilt	38000	21.88	22.00	1.028	0.016	0.016

➤ **WLAN Head SAR**

Plot No.	Band/Mode	Test Position	CH.	Ave. Power (dBm)	Tune-up Limit (dBm)	Tune-up Scaling Factor	Meas. SAR1g (W/kg)	Reported SAR1g (W/kg)
	WLAN2.4GHz/802.11b	Right Cheek	1	13.09	13.50	1.099	0.030	0.033
	WLAN2.4GHz/802.11b	Right Tilt	1	13.09	13.50	1.099	0.032	0.035
	WLAN2.4GHz/802.11b	Left Cheek	1	13.09	13.50	1.099	0.101	0.111
10#	WLAN2.4GHz/802.11b	Left Tilt	1	13.09	13.50	1.099	0.106	0.116

Note:

- Per KDB 447498 D01v06, for each exposure position, if the highest output power channel Reported SAR ≤ 0.8W/kg, other channels SAR testing is not necessary.



2. Per KDB 865664 D01v01r04, for each frequency band, repeated SAR measurement is required when the measured SAR is ≥ 0.8 W/kg.
3. Per KDB 941225 D05v02r05, 100% RB allocation SAR measurement is not required when the highest reported SAR for 1 RB and 50% RB allocation are ≤ 0.8 W/kg.
4. Per KDB 248227 D01v02r02, for 802.11b DSSS , when the reported SAR of the highest measured maximum output power channel for the exposure configuration is ≤ 0.8 W/kg, no further SAR testing is required in that exposure configuration.
5. Per KDB 248227 D01v02r02, OFDM SAR is not required when the highest reported SAR for DSSS is adjusted by the ratio of OFDM to DSSS specified maximum output power and the adjusted SAR is ≤ 1.2 W/kg.
6. According to KDB 865664 D02v01r02, SAR plot is required for the highest measured SAR in each exposure configuration, wireless mode and frequency band combination.
7. The WLAN Reported 1g SAR (W/kg) has been calculated together with the duty cycle scaling factor.

16.3. Body-worn SAR Data

> GSM Body-worn SAR

Plot No.	Band/Mode	Test Position	CH.	Ave. Power (dBm)	Tune-up Limit (dBm)	Tune-up Scaling Factor	Meas. SAR1g (W/kg)	Reported SAR1g (W/kg)
	GPRS850/2TX slots	Front Side	189	31.39	32.00	1.151	0.239	0.275
11#	GPRS850/2TX slots	Back Side	189	31.39	32.00	1.151	0.306	0.352
	GPRS1900/3TX slots	Front Side	661	24.76	25.00	1.057	0.266	0.281
12#	GPRS1900/3TX slots	Back Side	661	24.76	25.00	1.057	0.690	0.729

> WCDMA Body-worn SAR

Plot No.	Band/Mode	Test Position	CH.	Ave. Power (dBm)	Tune-up Limit (dBm)	Tune-up Scaling Factor	Meas. SAR1g (W/kg)	Reported SAR1g (W/kg)
	Band II/RMC	Front Side	9400	20.80	21.00	1.047	0.350	0.366
13#	Band II/RMC	Back Side	9400	20.80	21.00	1.047	0.581	0.608
	Band V/RMC	Front Side	4183	23.12	23.50	1.091	0.143	0.156
14#	Band V/RMC	Back Side	4183	23.12	23.50	1.091	0.199	0.217



➤ FDD-LTE QPSK Body-worn SAR

Plot No.	Band/Mode	Test Position	CH.	Ave. Power (dBm)	Tune-up Limit (dBm)	Tune-up Scaling Factor	Meas. SAR1g (W/kg)	Reported SAR1g (W/kg)
	LTE Band 2/1RB#0 20M	Front Side	18900	20.56	21.00	1.107	0.320	0.354
15#	LTE Band 2/1RB#0 20M	Back Side	18900	20.56	21.00	1.107	0.719	0.796
	LTE Band 2/50RB#0 20M	Front Side	18900	20.05	20.50	1.109	0.342	0.379
	LTE Band 2/50RB#0 20M	Back Side	18900	20.05	20.50	1.109	0.678	0.752
	LTE Band 4/1RB#0 20M	Front Side	20175	19.65	20.00	1.084	0.443	0.480
16#	LTE Band 4/1RB#0 20M	Back Side	20175	19.65	20.00	1.084	0.680	0.737
	LTE Band 4/50RB#50 20M	Front Side	20175	19.32	19.50	1.042	0.368	0.384
	LTE Band 4/50RB#50 20M	Back Side	20175	19.32	19.50	1.042	0.666	0.694
	LTE Band 5/1RB#0 10M	Front Side	20525	22.45	23.00	1.135	0.141	0.160
17#	LTE Band 5/1RB#0 10M	Back Side	20525	22.45	23.00	1.135	0.196	0.222
	LTE Band 5/25RB#25 10M	Front Side	20525	21.67	22.00	1.079	0.124	0.134
	LTE Band 5/25RB#25 10M	Back Side	20525	21.67	22.00	1.079	0.171	0.184
	LTE Band 7/1RB#0 20M	Front Side	21100	22.83	23.00	1.040	0.385	0.400
18#	LTE Band 7/1RB#0 20M	Back Side	21100	22.83	23.00	1.040	0.586	0.609
	LTE Band 7/50RB#0 20M	Front Side	21100	21.77	22.00	1.054	0.355	0.374
	LTE Band 7/50RB#0 20M	Back Side	21100	21.77	22.00	1.054	0.483	0.509

➤ TDD-LTE QPSK Body-worn SAR

Plot No.	Band/Mode	Test Position	CH.	Ave. Power (dBm)	Tune-up Limit (dBm)	Tune-up Scaling Factor	Meas. SAR1g (W/kg)	Reported SAR1g (W/kg)
	LTE Band 38/1RB#0 20M	Front Side	38000	22.61	23.00	1.094	0.107	0.117
19#	LTE Band 38/1RB#0 20M	Back Side	38000	22.61	23.00	1.094	0.179	0.196
	LTE Band 38/50RB#0 20M	Front Side	38000	21.88	22.00	1.028	0.092	0.094
	LTE Band 38/50RB#0 20M	Back Side	38000	21.88	22.00	1.028	0.155	0.159

➤ **WLAN Body-worn SAR**

Plot No.	Band/Mode	Test Position	CH.	Ave. Power (dBm)	Tune-up Limit (dBm)	Tune-up Scaling Factor	Meas. SAR1g (W/kg)	Reported SAR1g (W/kg)
	WLAN2.4GHz/802.11b	Front Side	1	13.09	13.50	1.099	0.019	0.021
20#	WLAN2.4GHz/802.11b	Back Side	1	13.09	13.50	1.099	0.045	0.049

Note: The WLAN Reported 1g SAR (W/kg) has been calculated together with the duty cycle scaling factor.

16.4. Hotspot SAR Data➤ **GSM Hotspot SAR**

Plot No.	Band/Mode	Test Position	CH.	Ave. Power (dBm)	Tune-up Limit (dBm)	Tune-up Scaling Factor	Meas. SAR1g (W/kg)	Reported SAR1g (W/kg)
	GPRS850/2TX slots	Front Side	189	31.39	32.00	1.151	0.239	0.275
21#	GPRS850/2TX slots	Back Side	189	31.39	32.00	1.151	0.306	0.352
	GPRS850/2TX slots	Left Side	189	31.39	32.00	1.151	0.156	0.180
	GPRS850/2TX slots	Right Side	189	31.39	32.00	1.151	0.174	0.200
	GPRS850/2TX slots	Bottom Side	189	31.39	32.00	1.151	0.059	0.068
	GPRS1900/3TX slots	Front Side	661	24.76	25.00	1.057	0.266	0.281
	GPRS1900/3TX slots	Back Side	661	24.76	25.00	1.057	0.690	0.729
	GPRS1900/3TX slots	Left Side	661	24.76	25.00	1.057	0.035	0.037
	GPRS1900/3TX slots	Right Side	661	24.76	25.00	1.057	0.037	0.039
	GPRS1900/3TX slots	Bottom Side	661	24.76	25.00	1.057	0.821	0.868
22#	GPRS1900/3TX slots	Bottom Side	512	24.55	25.00	1.109	0.853	0.946
	GPRS1900/3TX slots	Bottom Side	810	24.67	25.00	1.079	0.871	0.940



➤ **WCDMA Hotspot SAR**

Plot No.	Band/Mode	Test Position	CH.	Ave. Power (dBm)	Tune-up Limit (dBm)	Tune-up Scaling Factor	Meas. SAR1g (W/kg)	Reported SAR1g (W/kg)
	Band II/RMC	Front Side	9400	20.80	21.00	1.047	0.350	0.366
	Band II/RMC	Back Side	9400	20.80	21.00	1.047	0.581	0.608
	Band II/RMC	Left Side	9400	20.80	21.00	1.047	0.056	0.059
	Band II/RMC	Right Side	9400	20.80	21.00	1.047	0.047	0.049
	Band II/RMC	Bottom Side	9400	20.80	21.00	1.047	0.970	1.016
	Band II/RMC	Bottom Side	9262	20.73	21.00	1.064	0.922	0.981
23#	Band II/RMC	Bottom Side	9538	20.77	21.00	1.054	1.130	1.191
	Band V/RMC	Front Side	4183	23.12	23.50	1.091	0.145	0.158
24#	Band V/RMC	Back Side	4183	23.12	23.50	1.091	0.199	0.217
	Band V/RMC	Left Side	4183	23.12	23.50	1.091	0.040	0.043
	Band V/RMC	Right Side	4183	23.12	23.50	1.091	0.100	0.109
	Band V/RMC	Bottom Side	4183	23.12	23.50	1.091	0.111	0.121

➤ **FDD-LTE QPSK Hotspot SAR**

Plot No.	Band/Mode	Test Position	CH.	Ave. Power (dBm)	Tune-up Limit (dBm)	Tune-up Scaling Factor	Meas. SAR1g (W/kg)	Reported SAR1g (W/kg)
	LTE Band 2/1RB#0 20M	Front Side	18900	20.56	21.00	1.107	0.320	0.354
	LTE Band 2/1RB#0 20M	Back Side	18900	20.56	21.00	1.107	0.719	0.796
	LTE Band 2/1RB#0 20M	Left Side	18900	20.56	21.00	1.107	0.482	0.533
	LTE Band 2/1RB#0 20M	Right Side	18900	20.56	21.00	1.107	0.045	0.050
	LTE Band 2/1RB#0 20M	Bottom Side	18900	20.56	21.00	1.107	0.986	1.091
	LTE Band 2/1RB#0 20M	Bottom Side	18700	20.40	21.00	1.148	0.909	1.044
25#	LTE Band 2/1RB#0 20M	Bottom Side	19100	20.55	21.00	1.109	1.050	1.165
	LTE Band 2/100RB#0 20M	Bottom Side	18900	19.86	20.50	1.159	0.798	0.925
	LTE Band 2/50RB#0 20M	Front Side	18900	20.05	20.50	1.109	0.342	0.379
	LTE Band 2/50RB#0 20M	Back Side	18900	20.05	20.50	1.109	0.678	0.752
	LTE Band 2/50RB#0 20M	Left Side	18900	20.05	20.50	1.109	0.027	0.030
	LTE Band 2/50RB#0 20M	Right Side	18900	20.05	20.50	1.109	0.043	0.048
	LTE Band 2/50RB#0 20M	Bottom Side	18900	20.05	20.50	1.109	0.719	0.797



Plot No.	Band/Mode	Test Position	CH.	Ave. Power (dBm)	Tune-up Limit (dBm)	Tune-up Scaling Factor	Meas. SAR1g (W/kg)	Reported SAR1g (W/kg)
	LTE Band 4/1RB#0 20M	Front Side	20175	19.65	20.00	1.084	0.443	0.480
	LTE Band 4/1RB#0 20M	Back Side	20175	19.65	20.00	1.084	0.680	0.737
	LTE Band 4/1RB#0 20M	Left Side	20175	19.65	20.00	1.084	0.053	0.057
	LTE Band 4/1RB#0 20M	Right Side	20175	19.65	20.00	1.084	0.021	0.023
	LTE Band 4/1RB#0 20M	Bottom Side	20175	19.65	20.00	1.084	1.030	1.116
	LTE Band 4/1RB#0 20M	Bottom Side	20050	19.51	20.00	1.119	0.963	1.078
26#	LTE Band 4/1RB#0 20M	Bottom Side	20300	19.64	20.00	1.086	1.090	1.184
	LTE Band 4/100RB#0 20M	Bottom Side	20175	19.18	19.50	1.076	0.745	0.802
	LTE Band 4/50RB#50 20M	Front Side	20175	19.32	19.50	1.042	0.368	0.384
	LTE Band 4/50RB#50 20M	Back Side	20175	19.32	19.50	1.042	0.666	0.694
	LTE Band 4/50RB#50 20M	Left Side	20175	19.32	19.50	1.042	0.044	0.046
	LTE Band 4/50RB#50 20M	Right Side	20175	19.32	19.50	1.042	0.019	0.020
	LTE Band 4/50RB#50 20M	Bottom Side	20175	19.32	19.50	1.042	0.724	0.755
	LTE Band 5/1RB#0 10M	Front Side	20525	22.45	23.00	1.135	0.141	0.160
27#	LTE Band 5/1RB#0 10M	Back Side	20525	22.45	23.00	1.135	0.196	0.222
	LTE Band 5/1RB#0 10M	Left Side	20525	22.45	23.00	1.135	0.098	0.111
	LTE Band 5/1RB#0 10M	Right Side	20525	22.45	23.00	1.135	0.103	0.117
	LTE Band 5/1RB#0 10M	Bottom Side	20525	22.45	23.00	1.135	0.035	0.040
	LTE Band 5/25RB#25 10M	Front Side	20525	21.67	22.00	1.079	0.124	0.134
	LTE Band 5/25RB#25 10M	Back Side	20525	21.67	22.00	1.079	0.171	0.184
	LTE Band 5/25RB#25 10M	Left Side	20525	21.67	22.00	1.079	0.080	0.087
	LTE Band 5/25RB#25 10M	Right Side	20525	21.67	22.00	1.079	0.087	0.094
	LTE Band 5/25RB#25 10M	Bottom Side	20525	21.67	22.00	1.079	0.034	0.037



Plot No.	Band/Mode	Test Position	CH.	Ave. Power (dBm)	Tune-up Limit (dBm)	Tune-up Scaling Factor	Meas. SAR1g (W/kg)	Reported SAR1g (W/kg)
	LTE Band 7/1RB#0 20M	Front Side	21100	22.83	23.00	1.040	0.385	0.400
	LTE Band 7/1RB#0 20M	Back Side	21100	22.83	23.00	1.040	0.586	0.609
	LTE Band 7/1RB#0 20M	Left Side	21100	22.83	23.00	1.040	0.047	0.049
	LTE Band 7/1RB#0 20M	Right Side	21100	22.83	23.00	1.040	0.070	0.073
28#	LTE Band 7/1RB#0 20M	Bottom Side	21100	22.83	23.00	1.040	1.050	1.092
	LTE Band 7/1RB#0 20M	Bottom Side	20850	22.66	23.00	1.081	0.868	0.939
	LTE Band 7/1RB#0 20M	Bottom Side	21350	22.72	23.00	1.067	0.963	1.027
	LTE Band 7/ 100RB#0 20M	Bottom Side	21100	21.99	22.00	1.002	0.732	0.734
	LTE Band 7/50RB#0 20M	Front Side	21350	18.88	19.00	1.028	0.133	0.137
	LTE Band 7/50RB#0 20M	Back Side	21350	18.88	19.00	1.028	0.548	0.563
	LTE Band 7/50RB#0 20M	Left Side	21350	18.88	19.00	1.028	0.174	0.179
	LTE Band 7/50RB#0 20M	Right Side	21350	18.88	19.00	1.028	0.028	0.028
	LTE Band 7/50RB#0 20M	Bottom Side	21350	18.88	19.00	1.028	0.043	0.044

➤ **TDD-LTE QPSK Hotspot SAR**

Plot No.	Band/Mode	Test Position	CH.	Ave. Power (dBm)	Tune-up Limit (dBm)	Tune-up Scaling Factor	Meas. SAR1g (W/kg)	Reported SAR1g (W/kg)
	LTE Band 38/1RB#0 20M	Front Side	38000	22.61	23.00	1.094	0.107	0.117
	LTE Band 38/1RB#0 20M	Back Side	38000	22.61	23.00	1.094	0.179	0.196
	LTE Band 38/1RB#0 20M	Left Side	38000	22.61	23.00	1.094	0.024	0.026
	LTE Band 38/1RB#0 20M	Right Side	38000	22.61	23.00	1.094	0.027	0.029
29#	LTE Band 38/1RB#0 20M	Bottom Side	38000	22.61	23.00	1.094	0.326	0.357
	LTE Band 38/50RB#0 20M	Front Side	38000	21.88	22.00	1.028	0.092	0.094
	LTE Band 38/50RB#0 20M	Back Side	38000	21.88	22.00	1.028	0.155	0.159
	LTE Band 38/50RB#0 20M	Left Side	38000	21.88	22.00	1.028	0.021	0.022
	LTE Band 38/50RB#0 20M	Right Side	38000	21.88	22.00	1.028	0.027	0.028
	LTE Band 38/50RB#0 20M	Bottom Side	38000	21.88	22.00	1.028	0.277	0.285



➤ **WLAN Hotspot SAR**

Plot No.	Band/Mode	Test Position	CH.	Ave. Power (dBm)	Tune-up Limit (dBm)	Tune-up Scaling Factor	Meas. SAR1g (W/kg)	Reported SAR1g (W/kg)
	WLAN2.4GHz/802.11b	Front Side	1	13.09	13.50	1.099	0.019	0.021
30#	WLAN2.4GHz/802.11b	Back Side	1	13.09	13.50	1.099	0.045	0.049
	WLAN2.4GHz/802.11b	Right Side	1	13.09	13.50	1.099	0.027	0.030
	WLAN2.4GHz/802.11b	Top Side	1	13.09	13.50	1.099	0.017	0.019

Note: The WLAN Reported 1g SAR (W/kg) has been calculated together with the duty cycle scaling factor.



16.5. Repeated SAR Measurement

In accordance with published RF Exposure KDB procedure 865664 D01 SAR measurement 100 MHz to 6 GHz. These additional measurements are repeated after the completion of all measurements requiring the same head or body tissue-equivalent medium in a frequency band. The test device should be returned to ambient conditions (normal room temperature) with the battery fully charged before it is re-mounted on the device holder for the repeated measurement(s) to minimize any unexpected variations in the repeated results.

- 1) Repeated measurement is not required when the original highest measured SAR is < 0.80 W/kg; steps 2) through 4) do not apply.
- 2) When the original highest measured SAR is ≥ 0.80 W/kg, repeat that measurement once.
- 3) Perform a second repeated measurement only if the ratio of largest to smallest SAR for the original and first repeated measurements is > 1.20 or when the original or repeated measurement is ≥ 1.45 W/kg (~ 10% from the 1-g SAR limit).
- 4) Perform a third repeated measurement only if the original, first or second repeated measurement is ≥ 1.5 W/kg and the ratio of largest to smallest SAR for the original, first and second repeated measurements is > 1.20 .

➤ Repeated SAR

Plot No.	Band/Mode	Test Position	CH.	Ave. Power (dBm)	Tune-up Limit (dBm)	Tune-up Scaling Factor	Meas. SAR1g (W/kg)	Reported SAR1g (W/kg)
OR	GPRS1900/3TX slots	Bottom Side	512	24.55	25.00	1.109	0.853	0.946
	GPRS1900/3TX slots	Bottom Side	512	24.55	25.00	1.109	0.847	0.939
OR	Band II/RMC	Bottom Side	9400	23.18	23.50	1.076	0.393	0.423
	Band II/RMC	Bottom Side	9400	23.18	23.50	1.076	0.346	0.372
OR	LTE Band 2/1RB#0 20M	Bottom Side	19100	20.55	21.00	1.109	1.050	1.165
	LTE Band 2/1RB#0 20M	Bottom Side	19100	20.55	21.00	1.109	0.98	1.087
OR	LTE Band 4/1RB#0 20M	Bottom Side	20300	19.64	20.00	1.086	1.090	1.184
	LTE Band 4/1RB#0 20M	Bottom Side	20300	19.64	20.00	1.086	1.0	1.086
OR	LTE Band 7/1RB#0 20M	Bottom Side	21100	22.83	23.00	1.040	1.050	1.092
	LTE Band 7/1RB#0 20M	Bottom Side	21100	22.83	23.00	1.040	0.979	1.018

17. Simultaneous Transmission Evaluation

➤ Simultaneous Evaluation:

No.	Simultaneous Transmission Consideration	Head	Body-Worn	Hotspot
1	WWAN + WLAN 2.4GHz	Yes	Yes	Yes
2	WWAN + WLAN 5GHz	Yes	Yes	No
3	WWAN + Bluetooth	No	Yes	Yes

Note:

- When the user enables the personal wireless router functions for the handset, actual operations include simultaneous transmission of both the Wi-Fi transmitter and another WWAN transmitter. Both transmitter often do not transmit at the same transmitting frequency and thus cannot be evaluated for SAR under actual use conditions. The "Portable Hotspot" feature on the handset was NOT activated, to ensure the SAR measurements were evaluated for a single transmission frequency RF signal.
- The hotspot SAR result may overlap with the body-worn accessory SAR requirements, per KDB 941225 D06, the more conservative configurations can be considered, thus excluding some unnecessary body-worn accessory SAR tests.
- GSM supports voice and data transmission, though not simultaneously. WCDMA supports voice and data transmission simultaneously.
- Simultaneous Transmission SAR evaluation is not required for BT and Wi-Fi, because the software mechanism have been incorporated to guarantee that the WLAN and Bluetooth transmitters would not simultaneously operate.
- Per KDB 447498D01v06, Simultaneous Transmission SAR Evaluation procedures is as followed:
 Step 1: If sum of 1 g SAR < 1.6 W/kg, Simultaneous SAR measurement is not required.
 Step 2: If sum of 1 g SAR > 1.6 W/kg, ratio of SAR to peak separation distance for pair of transmitters calculated.
 Step 3: If the ratio of SAR to peak separation distance is ≤ 0.04 , Simultaneous SAR measurement is not required.
 Step 4: If the ratio of SAR to peak separation distance is > 0.04 , Simultaneous SAR measurement is required and simultaneous transmission SAR value is calculated.
 (The ratio is determined by: $(SAR1 + SAR2) \wedge 1.5/Ri \leq 0.04$,
 Ri is the separation distance between the peak SAR locations for the antenna pair in mm.



➤ **Head Simultaneous Transmission for WWAN+ 2.4GHz**

WWAN Band		Exposure Position	1	2	1+2 Summed 1g SAR (W/kg)
			WWAN	2.4GHz WLAN	
			1g SAR (W/kg)	1g SAR (W/kg)	
GSM	GSM850	Right Cheek	0.335	0.033	0.368
		Right Tilt	0.165	0.035	0.200
		Left Cheek	0.275	0.111	0.386
		Left Tilt	0.168	0.116	0.284
	GSM1900	Right Cheek	0.055	0.033	0.088
		Right Tilt	0.015	0.035	0.050
		Left Cheek	0.037	0.111	0.148
		Left Tilt	0.024	0.116	0.140
WCDMA	WCDMA Band II	Right Cheek	0.053	0.033	0.086
		Right Tilt	0.013	0.035	0.048
		Left Cheek	0.036	0.111	0.147
		Left Tilt	0.016	0.116	0.132
	WCDMA Band V	Right Cheek	0.170	0.033	0.203
		Right Tilt	0.100	0.035	0.135
		Left Cheek	0.146	0.111	0.257
		Left Tilt	0.082	0.116	0.198
LTE	LTE Band 2	Right Cheek	0.070	0.033	0.103
		Right Tilt	0.032	0.035	0.067
		Left Cheek	0.048	0.111	0.159
		Left Tilt	0.030	0.116	0.146
	LTE Band 4	Right Cheek	0.028	0.033	0.061
		Right Tilt	0.041	0.035	0.076
		Left Cheek	0.065	0.111	0.176
		Left Tilt	0.033	0.116	0.149
	LTE Band 5	Right Cheek	0.158	0.033	0.191
		Right Tilt	0.094	0.035	0.129
		Left Cheek	0.138	0.111	0.249
		Left Tilt	0.081	0.116	0.197
	LTE Band 7	Right Cheek	0.141	0.033	0.174
		Right Tilt	0.027	0.035	0.062
		Left Cheek	0.073	0.111	0.184
		Left Tilt	0.058	0.116	0.174
LTE Band	Right Cheek	0.046	0.033	0.079	



	38	Right Tilt	0.011	0.035	0.046
		Left Cheek	0.027	0.111	0.138
		Left Tilt	0.020	0.116	0.136

➤ **Body-worn Simultaneous Transmission for WWAN+WLAN/BT**

WWAN Band		Exposure Position	1	2	3	1+2 Sum. 1g SAR (W/kg)	1+3 Sum. 1g SAR (W/kg)
			WWAN 1g SAR (W/kg)	2.4GHz WLAN 1g SAR (W/kg)	Bluetooth Estimated 1g SAR (W/kg)		
GSM	GSM850	Front	0.275	0.021	0.022	0.296	0.275
		Back	0.352	0.049	0.022	0.401	0.352
	GSM1900	Front	0.281	0.021	0.022	0.302	0.281
		Back	0.729	0.049	0.022	0.778	0.729
WCDMA	WCDMA Band II	Front	0.366	0.021	0.022	0.387	0.366
		Back	0.608	0.049	0.022	0.657	0.608
	WCDMA Band V	Front	0.156	0.021	0.022	0.177	0.156
		Back	0.217	0.049	0.022	0.266	0.217
LTE	LTE Band 2	Front	0.379	0.021	0.022	0.400	0.379
		Back	0.796	0.049	0.022	0.845	0.796
	LTE Band 4	Front	0.480	0.021	0.022	0.501	0.480
		Back	0.737	0.049	0.022	0.786	0.737
	LTE Band 5	Front	0.160	0.021	0.022	0.181	0.160
		Back	0.222	0.049	0.022	0.271	0.222
	LTE Band 7	Front	0.400	0.021	0.022	0.421	0.400
		Back	0.609	0.049	0.022	0.658	0.609
	LTE Band 38	Front	0.117	0.021	0.022	0.138	0.117
		Back	0.196	0.049	0.022	0.245	0.196

➤ Hotspot Simultaneous Transmission for WWAN+WLAN

WWAN Band		Exposure Position	1	2	3	1+2 Summed 1g SAR (W/kg)	1+3 Summed 1g SAR (W/kg)
			WWAN 1g SAR (W/kg)	2.4GHz WLAN 1g SAR (W/kg)	Bluetooth Estimated 1g SAR (W/kg)		
GSM	GSM850	Front side	0.275	0.021	0.022	0.296	0.297
		Back side	0.352	0.049	0.022	0.401	0.374
		Left side	0.180	0.000	0.022	0.180	0.202
		Right side	0.200	0.030	0.022	0.230	0.222
		Top side	0.000	0.019	0.022	0.019	0.022
		Bottom side	0.068	0.000	0.022	0.068	0.090
	GSM1900	Front side	0.281	0.021	0.022	0.302	0.303
		Back side	0.729	0.049	0.022	0.778	0.751
		Left side	0.037	0.000	0.022	0.037	0.059
		Right side	0.039	0.030	0.022	0.069	0.061
		Top side	0.000	0.019	0.022	0.019	0.022
		Bottom side	0.946	0.000	0.022	0.946	0.968
WCDMA	WCDMA Band II	Front side	0.366	0.021	0.022	0.387	0.388
		Back side	0.608	0.049	0.022	0.657	0.630
		Left side	0.059	0.000	0.022	0.059	0.081
		Right side	0.049	0.030	0.022	0.079	0.071
		Top side	0.000	0.019	0.022	0.019	0.022
		Bottom side	1.191	0.000	0.022	1.191	1.213
	WCDMA Band V	Front side	0.156	0.021	0.022	0.177	0.156
		Back side	0.217	0.049	0.022	0.266	0.217
		Left side	0.043	0.000	0.022	0.043	0.065
		Right side	0.109	0.030	0.022	0.139	0.131
		Top side	0.000	0.019	0.022	0.019	0.022
		Bottom side	0.121	0.000	0.022	0.121	0.143
LTE	LTE Band 2	Front side	0.379	0.021	0.022	0.400	0.401
		Back side	0.796	0.049	0.022	0.845	0.818
		Left side	0.533	0.000	0.022	0.533	0.555
		Right side	0.050	0.030	0.022	0.080	0.072
		Top side	0.000	0.019	0.022	0.019	0.022
		Bottom side	1.165	0.000	0.022	1.165	1.187
	LTE Band	Front side	0.480	0.021	0.022	0.501	0.502



	4	Back side	0.737	0.049	0.022	0.786	0.759
		Left side	0.057	0.000	0.022	0.057	0.079
		Right side	0.023	0.030	0.022	0.053	0.045
		Top side	0.000	0.019	0.022	0.019	0.022
		Bottom side	1.184	0.000	0.022	1.184	1.206
	LTE Band 5	Front side	0.160	0.021	0.022	0.181	0.182
		Back side	0.222	0.049	0.022	0.271	0.244
		Left side	0.111	0.000	0.022	0.111	0.133
		Right side	0.117	0.030	0.022	0.147	0.139
		Top side	0.000	0.019	0.022	0.019	0.022
		Bottom side	0.040	0.000	0.022	0.040	0.062
	LTE Band 7	Front side	0.400	0.021	0.022	0.421	0.422
		Back side	0.609	0.049	0.022	0.658	0.631
		Left side	0.049	0.000	0.022	0.049	0.071
		Right side	0.073	0.030	0.022	0.103	0.095
		Top side	0.000	0.019	0.022	0.019	0.022
		Bottom side	1.092	0.000	0.022	1.092	1.114
	LTE Band 38	Front side	0.117	0.021	0.022	0.138	0.138
		Back side	0.196	0.049	0.022	0.245	0.218
		Left side	0.026	0.000	0.022	0.026	0.048
		Right side	0.029	0.030	0.022	0.059	0.051
Top side		0.000	0.019	0.022	0.019	0.022	
Bottom side		0.357	0.000	0.022	0.357	0.379	

18. Uncertainty Assessment

The component of uncertainty may generally be categorized according to the methods used to evaluate them. The evaluation of uncertainty by the statistical analysis of a series of observations is termed a Type A evaluation of uncertainty. The evaluation of uncertainty by means other than the statistical analysis of a series of observation is termed a Type B evaluation of uncertainty. Each component of uncertainty, however evaluated, is represented by an estimated standard deviation, termed standard uncertainty, which is determined by the positive square root of the estimated variance.

A Type A evaluation of standard uncertainty may be based on any valid statistical method for treating data. This includes calculating the standard deviation of the mean of a series of independent observations; using the method of least squares to fit a curve to the data in order to estimate the parameter of the curve and their standard deviations; or carrying out an analysis of variance in order to identify and quantify random effects in certain kinds of measurement.

A type B evaluation of standard uncertainty is typically based on scientific judgment using all of the relevant information available. These may include previous measurement data, experience, and knowledge of the behavior and properties of relevant materials and instruments, manufacture's specification, data provided in calibration reports and uncertainties assigned to reference data taken from handbooks. Broadly speaking, the uncertainty is either obtained from an outdoor source or obtained from an assumed distribution, such as the normal distribution, rectangular or triangular distributions indicated in table below.

Uncertainty	Normal	Rectangular	Triangular	U-Shape
Multi-plying Factor ^(a)	$1/k^{(b)}$	$1/\sqrt{3}$	$1/\sqrt{6}$	$1/\sqrt{2}$

Table 8.1. Standard Uncertainty for Assumed Distribution

(a) standard uncertainty is determined as the product of the multiplying factor and the estimated range of variations in the measured quantity

(b) κ is the coverage factor

The combined standard uncertainty of the measurement result represents the estimated standard deviation of the result. It is obtained by combining the individual standard uncertainties of both Type A and Type B evaluation using the usual "root-sum-squares" (RSS) methods of combining standard deviations by taking the positive square root of the estimated variances.

Expanded uncertainty is a measure of uncertainty that defines an interval about the measurement result within which the measured value is confidently believed to lie. It is obtained by multiplying the combined standard uncertainty by a coverage factor. Typically, the coverage factor ranges from 2 to 3. Using a coverage factor allows the true value of a measured quantity to be specified with a defined probability within the specified uncertainty range. For purpose of this document, a coverage factor two is used, which corresponds to confidence interval of about 95 %. The DASY uncertainty Budget is shown in the following



tables.

Error Description	Uncertainty Value (±%)	Probability	Divisor	(Ci) 1g	(Ci) 10g	Standard Uncertainty (1g) (±%)	Standard Uncertainty (10g) (±%)
Measurement System							
Probe Calibration	6.0	N	1	1	1	6.0	6.0
Axial Isotropy	4.7	R	1.732	0.7	0.7	1.9	1.9
Hemispherical Isotropy	9.6	R	1.732	0.7	0.7	3.9	3.9
Boundary Effects	1.0	R	1.732	1	1	0.6	0.6
Linearity	4.7	R	1.732	1	1	2.7	2.7
System Detection Limits	1.0	R	1.732	1	1	0.6	0.6
Modulation Response	3.2	R	1.732	1	1	1.8	1.8
Readout Electronics	0.3	N	1	1	1	0.3	0.3
Response Time	0.0	R	1.732	1	1	0.0	0.0
Integration Time	2.6	R	1.732	1	1	1.5	1.5
RF Ambient Noise	3.0	R	1.732	1	1	1.7	1.7
RF Ambient Reflections	3.0	R	1.732	1	1	1.7	1.7
Probe Positioner	0.4	R	1.732	1	1	0.2	0.2
Probe Positioning	2.9	R	1.732	1	1	1.7	1.7
Max. SAR Eval.	2.0	R	1.732	1	1	1.2	1.2
Test Sample Related							
Device Positioning	3.0	N	1	1	1	3.0	3.0
Device Holder	3.6	N	1	1	1	0.089	0.089
Power Drift	5.0	R	1.732	1	1	2.9	2.9
Power Scaling	0.0	R	1.732	1	1	0.0	0.0
Phantom and Setup							
Phantom Uncertainty	6.1	R	1.732	1	1	3.5	3.5
SAR correction	0.0	R	1.732	1	0.84	0.0	0.0
Liquid Conductivity Repeatability	0.2	N	1	0.78	0.71	0.1	0.1
Liquid Conductivity (target)	5.0	R	1.732	0.78	0.71	2.3	2.0
Liquid Conductivity (mea.)	2.5	R	1.732	0.78	0.71	1.1	1.0
Temp. unc. - Conductivity	3.4	R	1.732	0.78	0.71	1.5	1.4
Liquid Permittivity Repeatability	0.15	N	1	0.23	0.26	0.0	0.0
Liquid Permittivity (target)	5.0	R	1.732	0.23	0.26	0.7	0.8
Liquid Permittivity (mea.)	2.5	R	1.732	0.23	0.26	0.3	0.4
Temp. unc. - Permittivity	0.83	R	1.732	0.23	0.26	0.1	0.1
Combined Std. Uncertainty						11.4%	11.4%
Coverage Factor for 95 %						K=2	K=2
Expanded STD Uncertainty						22.9%	22.7%



Error Description	Uncertainty Value (±%)	Probability	Divisor	(Ci) 1g	(Ci) 10g	Standard Uncertainty (1g) (±%)	Standard Uncertainty (10g) (±%)
Measurement System							
Probe Calibration	6.55	N	1	1	1	6.0	6.0
Axial Isotropy	4.7	R	1.732	0.7	0.7	1.9	1.9
Hemispherical Isotropy	9.6	R	1.732	0.7	0.7	3.9	3.9
Boundary Effects	2.0	R	1.732	1	1	1.2	1.2
Linearity	4.7	R	1.732	1	1	2.7	2.7
System Detection Limits	1.0	R	1.732	1	1	0.6	0.6
Modulation Response	3.2	R	1.732	1	1	1.8	1.8
Readout Electronics	0.3	N	1	1	1	0.3	0.3
Response Time	0.0	R	1.732	1	1	0.0	0.0
Integration Time	2.6	R	1.732	1	1	1.5	1.5
RF Ambient Noise	3.0	R	1.732	1	1	1.7	1.7
RF Ambient Reflections	3.0	R	1.732	1	1	1.7	1.7
Probe Positioner	0.4	R	1.732	1	1	0.2	0.2
Probe Positioning	6.7	R	1.732	1	1	3.9	3.9
Max. SAR Eval.	4.0	R	1.732	1	1	2.3	2.3
Test Sample Related							
Device Positioning	3.0	N	1	1	1	3.0	3.0
Device Holder	3.6	N	1	1	1	0.089	0.089
Power Drift	5.0	R	1.732	1	1	2.9	2.9
Power Scaling	0.0	R	1.732	1	1	0.0	0.0
Phantom and Setup							
Phantom Uncertainty	6.1	R	1.732	1	1	3.8	3.8
SAR correction	0.0	R	1.732	1	0.84	0.0	0.0
Liquid Conductivity Repeatability	0.2	N	1	0.78	0.71	0.1	0.1
Liquid Conductivity (target)	5.0	R	1.732	0.78	0.71	2.3	2.0
Liquid Conductivity (mea.)	2.5	R	1.732	0.78	0.71	1.1	1.0
Temp. unc. - Conductivity	3.4	R	1.732	0.78	0.71	1.5	1.4
Liquid Permittivity Repeatability	0.15	N	1	0.23	0.26	0.0	0.0
Liquid Permittivity (target)	5.0	R	1.732	0.23	0.26	0.7	0.8
Liquid Permittivity (mea.)	2.5	R	1.732	0.23	0.26	0.3	0.4
Temp. unc. - Permittivity	0.83	R	1.732	0.23	0.26	0.1	0.1
Combined Std. Uncertainty						12.5%	12.5%
Coverage Factor for 95 %						K=2	K=2
Expanded STD Uncertainty						25.1 %	25.1%



Annex A General Information

1. Identification of the Responsible Testing Laboratory

Laboratory Name:	Shenzhen Morlab Communications Technology Co., Ltd.Morlab Laboratory
Laboratory Address:	FL.1-3, Building A, FeiYang Science Park, No.8 LongChang Road, Block 67, BaoAn District, ShenZhen, GuangDong Province, P. R. China
Telephone:	+86 755 36698555
Facsimile:	+86 755 36698525

2. Identification of the Responsible Testing Location

Name:	Shenzhen Morlab Communications Technology Co., Ltd. Morlab Laboratory
Address:	FL.1-3, Building A, FeiYang Science Park, No.8 LongChang Road, Block 67, BaoAn District, ShenZhen, GuangDong Province, P. R. China

Note:

The main report is end here and the other Annex (B,C,D,E) will be submitted separately.

***** END OF MAIN REPORT *****