

STUDIO MINI 2023

Antenna Data Sheet



Antenna manufacture information:

Name : Welletronics Communication Technology Co.,Ltd.

Add. : F1-3,Building 8,Tongfu Industrial Park, Dalang, Longhua

District, Shenzhen, Guangdong, China

Tel. : 86-0755-29076623 29076625

Fax. : 86-0755-21633856

E-mail: Sales02@wtt-china.com



Catalogue

- 1. Capability Status**
- 2. Antenna Location**
- 3. Antenna Pattern**
- 4. Antenna Passive Efficiency**
- 5. Active Antenna data**
- 6. Simple Antenna Pattern Plot**
- 7. Antenna return loss**

1. Capability Status

a. Main software and hardware facilities for antenna R&D

Equipment introduction

Shanghai: Satimo:1 GTS2800:2

GTS1800:3 Dasy6:1

Shenzhen: Satimo:1 GTS2800:1

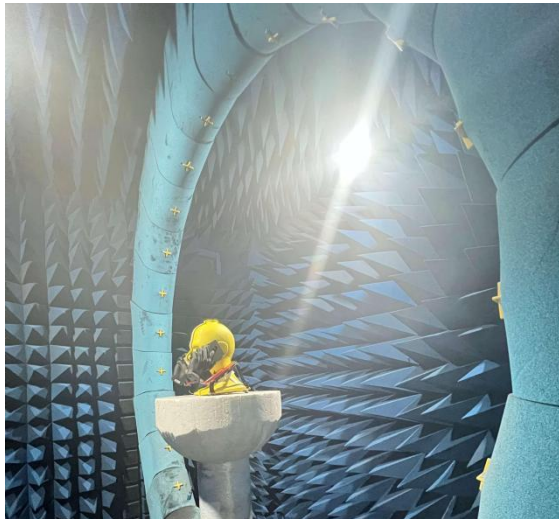
GTS1800:1 ETS:1 Dasy4:1

Xian: Satimo:1 GTS2800:1

GTS1800:1 NFC-Micro Pross CTS 3.0:1

Beijing: GTS1800:2

Chongqing: GTS1800:1



Satimo SG24



GTS2800



DASY6



NFC

b. Full category testing capability

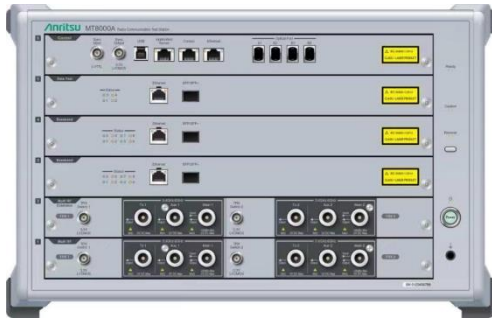
Support system

GSM/WCDMA/EVDO/TDSCDMA/TDD/FDD/5G-SA/5G-NSA/eMTC/NB-iot/GPS/WiFi
(WiFi 6/6E) /BT/CA/ENDC

Common equipment

- Anritsu MT8000A
- Anritsu MT8821C
- 5071C
- CMW500
- Anritsu MT8820
- SAM-V4.5BS
- STANG-HAND-P10(TWS)
- DASY4/6 SAR



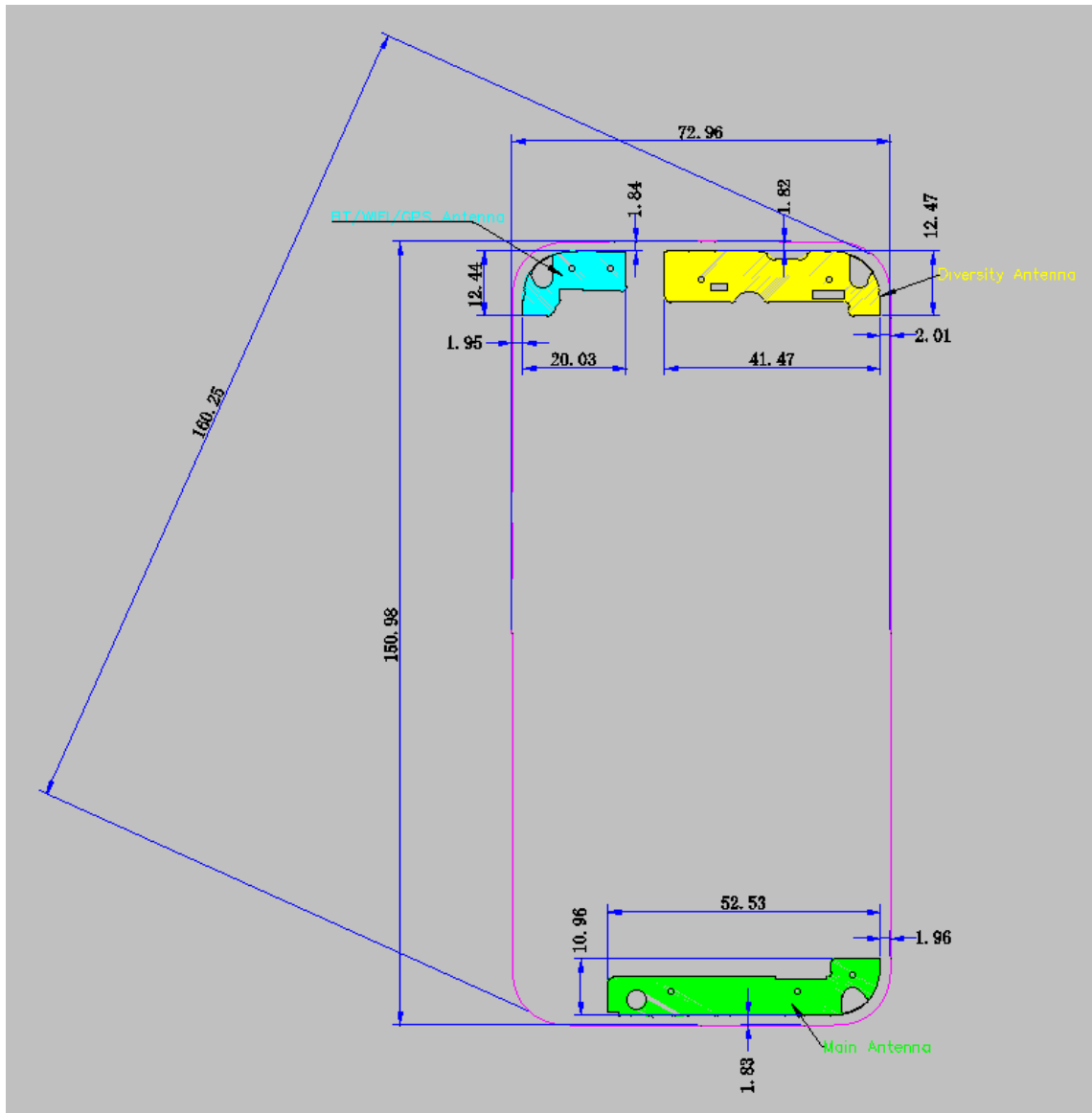


Anritsu MT8000A



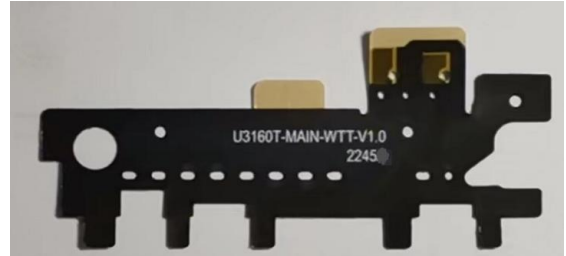
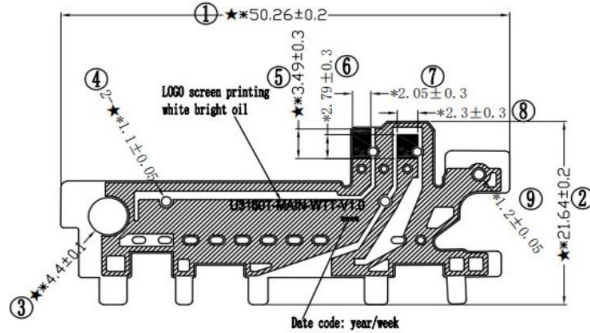
Anritsu MT8821C

2. Antenna Location

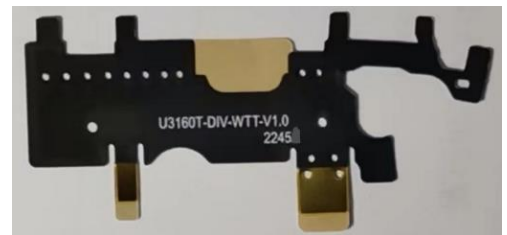
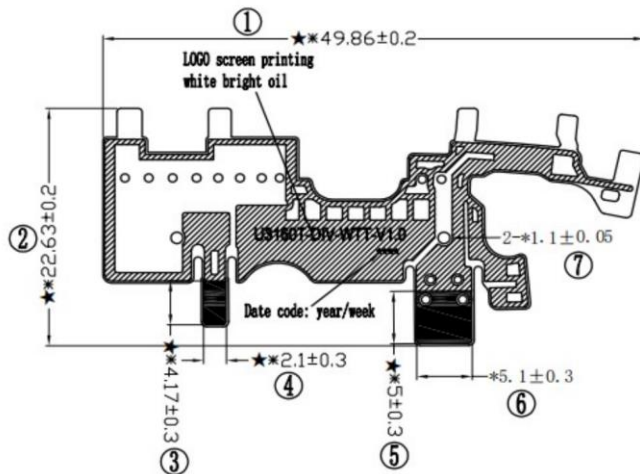


3. Antenna Pattern

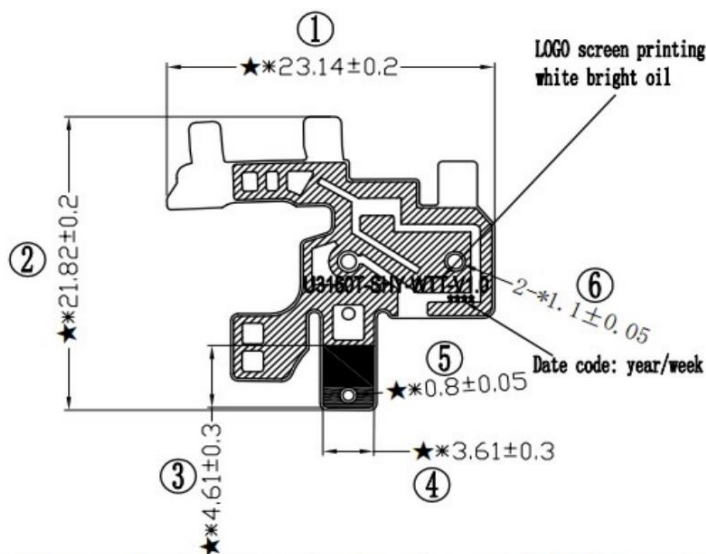
3.1 Main Antenna



3.2 Div Antenna



3.3 GPS/BT/WiFi Antenna





4. Antenna Passive Efficiency

4.1 Main Antenna

	Peak(dBi)	average(dBi)
LTE B2	1.5	-3.2
LTE B4	0.5	-3.5
LTE B5	-2.2	-6.7
LTE B12	-1.69	-6.0
LTE B25	-0.3	-4.2
LTE B26	-1.7	-6.2
LTE B41	2.0	-3.3
LTE B66	0.5	-3.5
LTE B71	-3.9	-7.3
WCDMA B2	1.5	-3.2
WCDMA B4	0.5	-3.5
WCDMA B5	-2.2	-6.7
GSM850	-2.2	-6.7
PCS1900	1.5	-3.2



4.2 Div Antenna

	peak (dBi)	average(dBi)
LTE B2	-0.8	-5.4
LTE B4	1.2	-3.1
LTE B5	-1.4	-4.7
LTE B12	-5.2	-10.6
LTE B25	-0.8	-5.4
LTE B26	-1.4	-4.7
LTE B41	2.0	-3.3
LTE B66	1.3	-3.0
LTE B71	-8.1	-11.6
WCDMA B2	-0.8	-5.4
WCDMA B4	1.2	-3.1
WCDMA B5	-1.4	-4.7
GSM850	-1.4	-4.7
PCS1900	-0.8	-5.4

4.3 GPS/BT/WiFi Antenna

	peak(dBi)	average(dBi)
GPS	2.9	-2.2
WIFI 2.4G	2.9	-2.9
BT	2.9	-2.9

5. Active Antenna data

Band	CH	FREE OTA		FREE SPEC		FREE Gap	
		TRP	Combined TIS	TRP	Combined TIS	TRP	Combined TIS
LTE B2 (10M)	L	20.7	-96.2	19.5	-95.0	1.2	1.2
	M	20.7	-96.9	19.5	-95.0	1.2	1.9
	H	20.7	-96.7	19.5	-95.0	1.2	1.7
LTE B4 (10M)	L	21.0	-98.4	20.0	-97.0	1.0	1.4
	M	21.3	-98.6	20.0	-97.0	1.3	1.6
	H	20.9	-98.2	20.0	-97.0	0.9	1.2
LTE 12(5M)	L	19.2	-98.2	18.0	-95.0	1.2	3.2
LTE B71 (10M)	L	19.9	-95.2	17.0	-92.0	2.9	3.2
	M	20.0	-95.6	17.0	-92.0	3.0	3.6
	H	19.3	-95.2	17.0	-92.0	2.3	3.2
LTE B66 (10M)	L	21.1	-98.4	20.0	-97.0	1.1	1.4
	M	21.4	-98.4	20.0	-97.0	1.4	1.4
	H	20.8	-97.6	20.0	-97.0	0.8	0.6
LTE B25 (5M)	L	20.8058	-98.3	19.5	-96.5	1.3	1.8
	M	20.8369	-99.1	19.5	-96.5	1.3	2.6
	H	20.8325	-99.0	19.5	-96.5	1.3	2.5
LTE B26	L	20.1	-97.9	18.0	-92.5	2.1	5.4



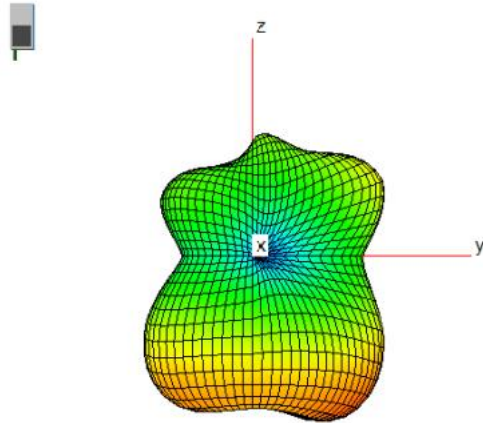
(5M)	M	20.5	-98.4	19.0	-94.0	1.5	4.4
	H	20.2	-97.9	18.0	-92.5	2.2	5.4
LTE B41 (20M) PC2	L	23.6	-92.4	22.5	-92.0	1.1	0.4
	M	22.7	-92.2	22.5	-92.0	0.2	0.2
	H	22.8	-92.2	22.5	-92.0	0.3	0.2

Mode	Channel	Data Rate	TRP	Limit	Gap
			FS	FS	FS
802.11b	1	1	17.1	16.0	1.1
	6	1	17.3	16.0	1.3
	11	1	17.3	16.0	1.3
802.11g	1	6	16.2	13.5	2.7
	6	6	16.2	13.5	2.7
	11	6	16.1	13.5	2.6
802.11n 2.4GHz	1	MCS0	14.4	14.0	0.4
	6	MCS0	14.3	14.0	0.3
	11	MCS0	14.2	14.0	0.2
802.11n 2.4GHz	1	MCS7	13.0	10.0	3.0
	6	MCS7	13.1	10.0	3.1
	11	MCS7	13.0	10.0	3.0

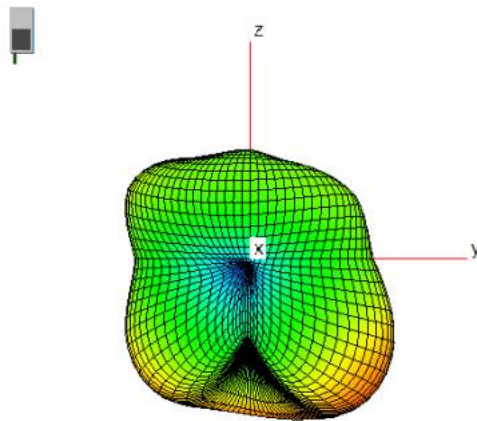
Mode	Channel	Data Rate	TIS	Limit	GAP
			FS	FS	FS
802.11b (PER 8%)	1	11	-84.1	-84.0	0.1
	6	11	-84.6	-84.0	0.6
	11	11	-84.2	-84.0	0.2
802.11n 2.4GHz	1	MCS0	-86.3	-86.0	0.3
	6	MCS0	-86.4	-86.0	0.4
	11	MCS0	-86.2	-86.0	0.2
802.11n 2.4GHz	1	MCS7	-67.8	-67.0	0.8
	6	MCS7	-68.0	-67.0	1.0
	11	MCS7	-67.8	-67.0	0.8

6. Simple Antenna Pattern Plot

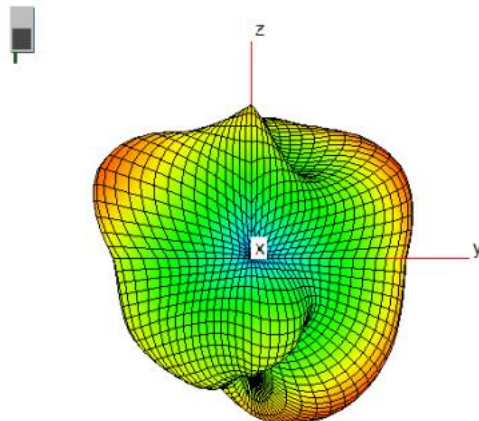
6.1. Main Antenna



6.2. Div Antenna

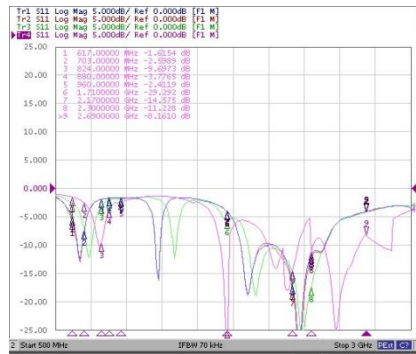


6.3. GPS/BT/WiFi Antenna



7. Antenna return loss

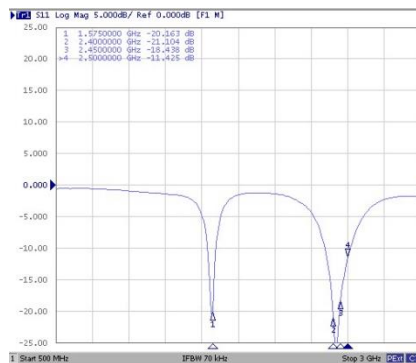
a.Main Antenna



b.Div Antenna



c.GPS/BT/WiFi Antenna



-----END-----