



FCC Test Report

APPLICANT : BLU Products, Inc.
EQUIPMENT : Mobile phone
BRAND NAME : BLU
MODEL NAME : LIFE ONE X3
FCC ID : YHLBLULIFEONEX3
STANDARD : FCC 47 CFR FCC Part 15 Subpart B
CLASSIFICATION : Certification

The product was received on Sep. 04, 2017 and testing was completed on Sep. 19, 2017. We, Sporton International (Shenzhen) Inc., would like to declare that the tested sample has been evaluated in accordance with the test procedures given in ANSI C63.4-2014 and has been in compliance with the applicable technical standards.

The test results in this report apply exclusively to the tested model / sample. Without written approval of Sporton International (Shenzhen) Inc., the test report shall not be reproduced except in full.



Approved by: Eric Shih / Manager

Sporton International (Shenzhen) Inc.

**1/F, 2/F, Bldg 5, Shiling Industrial Zone, Xinwei Village, Xili, Nanshan Shenzhen City
Guangdong Province 518055 China**



TABLE OF CONTENTS

REVISION HISTORY..... 3

SUMMARY OF TEST RESULT 4

1. GENERAL DESCRIPTION 5

 1.1. Applicant..... 5

 1.2. Manufacturer 5

 1.3. Product Feature of Equipment Under Test 5

 1.4. Product Specification of Equipment Under Test 6

 1.5. Modification of EUT 7

 1.6. Test Location 7

 1.7. Applicable Standards 7

2. TEST CONFIGURATION OF EQUIPMENT UNDER TEST 8

 2.1. Test Mode 8

 2.2. Connection Diagram of Test System 10

 2.3. Support Unit used in test configuration and system 12

 2.4. EUT Operation Test Setup 12

3. TEST RESULT 13

 3.1. Test of AC Conducted Emission Measurement 13

 3.2. Test of Radiated Emission Measurement 17

4. LIST OF MEASURING EQUIPMENT 23

5. UNCERTAINTY OF EVALUATION 24

APPENDIX A. SETUP PHOTOGRAPHS



SUMMARY OF TEST RESULT

Report Section	FCC Rule	Description	Limit	Result	Remark
3.1	15.107	AC Conducted Emission	< 15.107 limits	PASS	Under limit 11.08 dB at 0.150 MHz
3.2	15.109	Radiated Emission	< 15.109 limits	PASS	Under limit 5.81 dB at 39.180 MHz for Quasi-Peak



1. General Description

1.1. Applicant

BLU Products, Inc.
10814 NW 33rd St # 100 Doral, FL 33172

1.2. Manufacturer

BLU Products, Inc.
10814 NW 33rd St # 100 Doral, FL 33172

1.3. Product Feature of Equipment Under Test

Product Feature	
Equipment	Mobile phone
Brand Name	BLU
Model Name	LIFE ONE X3
FCC ID	YHLBLULIFEONEX3
EUT supports Radios application	GSM/GPRS/EGPRS/WCDMA/HSPA/DC-HSDPA/HSPA+/LTE WLAN2.4GHz802.11b/g/n HT20/HT40 Bluetooth V3.0 + EDR/ Bluetooth V 4.0LE
IMEI Code	Conduction: 351372098270497/351372098270505 Radiation: 351372098270596/351372098270604
HW Version	V1.0
SW Version	BLU_LifeOneX3_V7.0.01.00_GENERIC_30-08-2017_21:20
EUT Stage	Identical Prototype

Remark: The above EUT's information was declared by manufacturer. Please refer to the specifications or user's manual for more detailed description.



1.4. Product Specification of Equipment Under Test

Standards-related Product Specification	
Tx Frequency	GSM850: 824.2 MHz ~ 848.8 MHz GSM1900: 1850.2 MHz ~ 1909.8MHz WCDMA Band V: 826.4 MHz ~ 846.6 MHz WCDMA Band IV : 1712.4 MHz ~ 1752.6 MHz WCDMA Band II: 1852.4 MHz ~ 1907.6 MHz LTE Band 2 : 1850.7 MHz ~ 1909.3 MHz LTE Band 4 : 1710.7 MHz ~ 1754.3 MHz LTE Band 7 : 2502.5 MHz ~ 2567.5 MHz LTE Band 12: 699.7 MHz ~ 715.3 MHz LTE Band 17 : 706.5 MHz ~ 713.5 MHz 802.11b/g/n: 2412 MHz ~ 2462 MHz Bluetooth: 2402 MHz ~ 2480 MHz
Rx Frequency	GSM850: 869.2 MHz ~ 893.8 MHz GSM1900: 1930.2 MHz ~ 1989.8 MHz WCDMA Band V: 871.4 MHz ~ 891.6 MHz WCDMA Band IV : 2112.4 MHz ~ 2152.6 MHz WCDMA Band II: 1932.4 MHz ~ 1987.6 MHz LTE Band 2 : 1930.7 MHz ~ 1989.3 MHz LTE Band 4 : 2110.7 MHz ~ 2154.3 MHz LTE Band 7 : 2622.5MHz ~ 2687.5 MHz LTE Band 12 : 729.7 MHz ~ 745.3 MHz LTE Band 17 : 736.5 MHz ~ 743.5 MHz 802.11b/g/n: 2412 MHz ~ 2462 MHz Bluetooth: 2402 MHz ~ 2480 MHz GPS: 1.57542 GHz Glonass: 1602 MHz + n× 0.5625MHz (n=-7,-6,-5,...0,...,6) FM: 87.5MHz~108MHz
Antenna Type	WWAN : PIFA Antenna WLAN : PIFA Antenna Bluetooth : PIFA Antenna FM: External Headset Antenna GPS/Glonass : PIFA Antenna
Type of Modulation	GSM: GMSK GPRS: GMSK EDGE(MCS 0-4): GMSK / (MCS 5-9): 8PSK WCDMA : BPSK (Uplink) HSDPA/DC-HSDPA : QPSK (Uplink) HSUPA : QPSK (Uplink) HSPA+ : 16QAM DC-HSDPA : 64QAM LTE: QPSK / 16QAM / 64QAM(Downlink only) 802.11b : DSSS (DBPSK / DQPSK / CCK) 802.11g/n: OFDM (BPSK / QPSK / 16QAM / 64QAM) Bluetooth LE : GFSK Bluetooth (1Mbps) : GFSK Bluetooth (2Mbps) : $\pi/4$ -DQPSK Bluetooth (3Mbps) : 8-DPSK GPS/Glonass : BPSK FM



1.5. Modification of EUT

No modifications are made to the EUT during all test items.

1.6. Test Location

Sporton Lab is accredited to ISO 17025 by National Voluntary Laboratory Accreditation Program (NVLAP code: 600156-0) and the FCC designation No. are CN5018 and CN5019.

Test Site	Sporton International (Shenzhen) Inc.	
Test Site Location	1/F, 2/F, Bldg 5, Shiling Industrial Zone, Xinwei Village, Xili, Nanshan Shenzhen City Guangdong Province 518055 China TEL: +86-755-8637-9589 FAX: +86-755-8637-9595	
Test Site No.	Sporton Site No.	FCC Test Firm Registration No.
	CO01-SZ	251365

Test Site	Sporton International (Shenzhen) Inc.	
Test Site Location	No. 3 Bldg the third floor of south, Shahe River west, Fengzeyuan Warehouse, Nanshan District Shenzhen City Guangdong Province 518055 China TEL: +86-755-3320-2398	
Test Site No.	Sporton Site No.	FCC Test Firm Registration No.
	03CH01-SZ	577730

Note: The test site complies with ANSI C63.4 2014 requirement.

1.7. Applicable Standards

According to the specifications of the manufacturer, the EUT must comply with the requirements of the following standards:

- FCC 47 CFR FCC Part 15 Subpart B
- ANSI C63.4-2014

Remark: All test items were verified and recorded according to the standards and without any deviation during the test.



2. Test Configuration of Equipment Under Test

2.1. Test Mode

The EUT has been associated with peripherals pursuant to ANSI C63.4-2014 and configuration operated in a manner tended to maximize its emission characteristics in a typical application.

Frequency range investigated: conduction (150 kHz to 30 MHz), radiation (30MHz to the 5th harmonic of the highest fundamental frequency or to 40 GHz, whichever is lower).

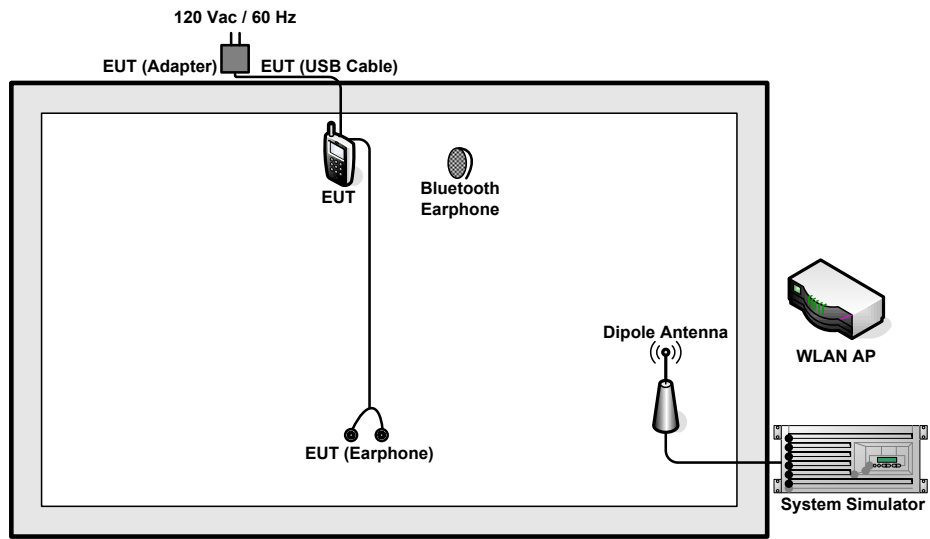


Test Items	Function Type
AC Conducted Emission	Mode 1: GSM 850 Idle + USB Cable(Charging from Adapter) + Earphone + Bluetooth Idle + WLAN Idle(2.4G) + Camera(Rear) + SIM1<Fig. 1>
	Mode 2: GSM 1900 Idle + USB Cable(Charging from Adapter) + Earphone + Bluetooth Idle + WLAN Idle(2.4G) + Camera(Front) + SIM1<Fig. 1>
	Mode 3: WCDMA BandV Idle + USB Cable(Charging from Adapter) + Earphone + Bluetooth Idle + WLAN Idle(2.4G) + MPEG4 + SIM1<Fig. 1>
	Mode 4: LTE Band 4 Idle + USB Cable(Charging from Adapter) + Earphone + Bluetooth Idle + WLAN Idle(2.4G) + FM RX + SIM1<Fig. 2>
	Mode 5: LTE Band 2 Idle + USB Cable(Charging from Adapter) + Earphone + Bluetooth Idle + WLAN Idle(2.4G) + Glonass on + SIM1<Fig. 3>
	Mode 6: LTE Band 7 Idle + USB Cable(Data Link with Notebook) + Earphone + Bluetooth Idle + WLAN Idle(2.4G) + GPS on + SIM1<Fig. 4>
Radiated Emissions < 1GHz	Mode 1: GSM 850 Idle + USB Cable(Charging from Adapter) + Earphone + Bluetooth Idle + WLAN Idle(2.4G) + Camera(Rear) + SIM1<Fig. 1>
	Mode 2: GSM 1900 Idle + USB Cable(Charging from Adapter) + Earphone + Bluetooth Idle + WLAN Idle(2.4G) + Camera(Front) + SIM1<Fig. 1>
	Mode 3: WCDMA BandV Idle + USB Cable(Charging from Adapter) + Earphone + Bluetooth Idle + WLAN Idle(2.4G) + MPEG4 + SIM1<Fig. 1>
	Mode 4: LTE Band 4 Idle + USB Cable(Charging from Adapter) + Earphone + Bluetooth Idle + WLAN Idle(2.4G) + FM RX + SIM1<Fig. 2>
	Mode 5: LTE Band 2 Idle + USB Cable(Charging from Adapter) + Earphone + Bluetooth Idle + WLAN Idle(2.4G) + Glonass on + SIM1<Fig. 3>
	Mode 6: LTE Band 7 Idle + USB Cable(Data Link with Notebook) + Earphone + Bluetooth Idle + WLAN Idle(2.4G) + GPS on + SIM1<Fig. 4>
Radiated Emissions ≥ 1GHz	Mode 1: LTE Band 2 Idle + USB Cable(Charging from Adapter) + Earphone + Bluetooth Idle + WLAN Idle(2.4G) + Glonass on + SIM1<Fig. 3>
	Mode 2: LTE Band 7 Idle + USB Cable(Data Link with Notebook) + Earphone + Bluetooth Idle + WLAN Idle(2.4G) + GPS on + SIM1<Fig. 4>

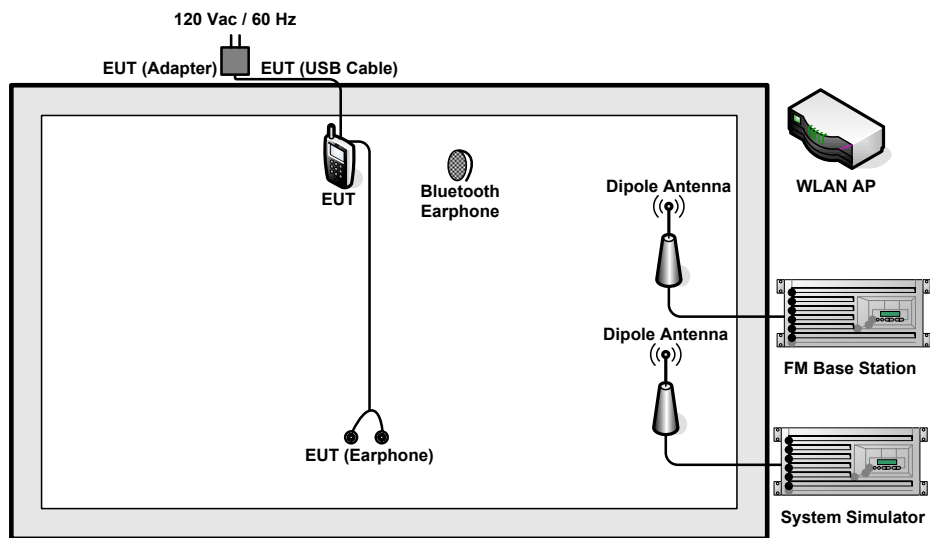
Remark:

1. The worst case of AC is mode 6; only the test data of this mode was reported.
2. The worst case of RE < 1G is mode 5; and the data link mode is mode 6, the test data of these modes were reported.
3. Data Link with Notebook means data application transferred mode between EUT and Notebook.

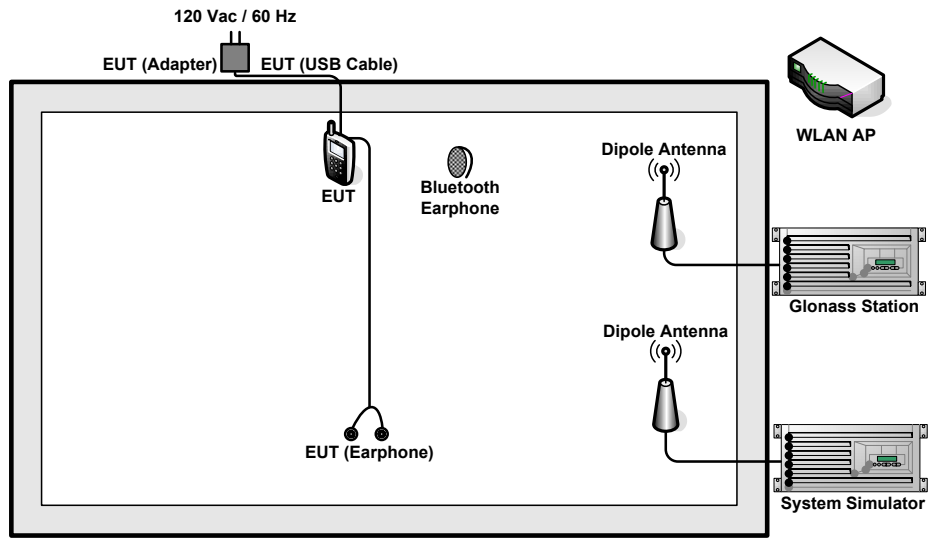
2.2. Connection Diagram of Test System



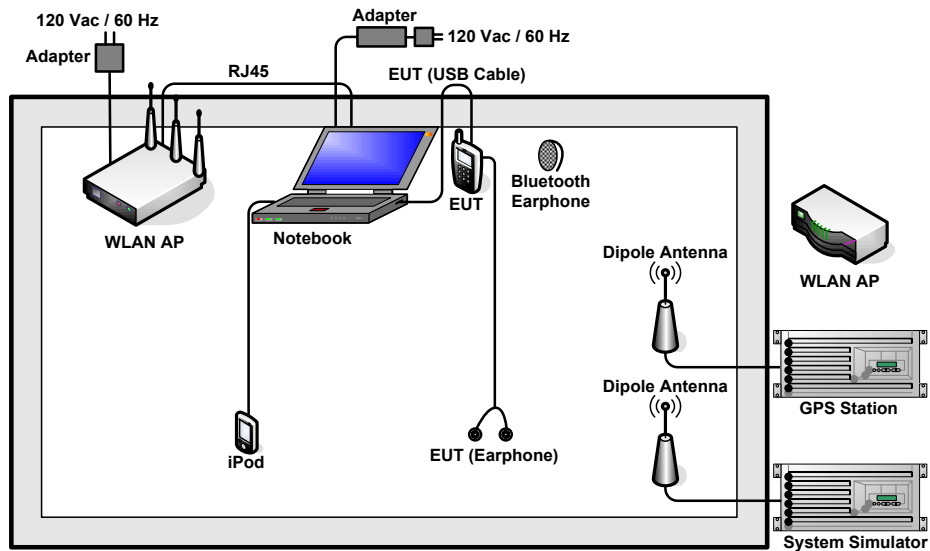
<Fig. 1>



<Fig. 2>



<Fig. 3>



<Fig. 4>

2.3. Support Unit used in test configuration and system

Item	Equipment	Trade Name	Model Name	FCC ID	Data Cable	Power Cord
1.	System Simulator	R&S	CMU 200	N/A	N/A	Unshielded, 1.8 m
2.	Base Station(LTE)	Anritsu	MT8820C	N/A	N/A	Unshielded,1.8m
3.	GPS Station	T&E	GS-50	N/A	N/A	Unshielded, 1.8 m
4.	Glomass Station	RACELOGIC	18645	N/A	N/A	Unshielded,1.8m
5.	WLAN AP	D-Link	DIR-820L	KA2IR820LA1	N/A	Unshielded,1.8m
6.	WLAN AP	Linksys	WRT310W	FCC DoC	N/A	Unshielded, 1.8 m
7.	Bluetooth Earphone	Samsung	EO-MG900	PYAHS-107W	N/A	N/A
8.	Bluetooth Earphone	Lenovo	LBH301	N/A	N/A	N/A
9.	NOTE BOOK	Lenovo	E450	FCC DoC	N/A	AC I/P: Unshielded, 1.2 m DC O/P: Shielded, 1.8 m
10.	iPod nano 8GB	Apple	MC690ZP/A	N/A	Shielded, 1.2m	N/A
11.	SD Card	SanDisk	MicroSD HC	FCC DoC	N/A	N/A

2.4. EUT Operation Test Setup

The EUT was in GSM or WCDMA or LTE idle mode during the testing. The EUT was synchronized to the BCCH, and is in continuous receiving mode by setting system simulator’s paging reorganization.

At the same time, the EUT was attached to the Bluetooth earphone or WLAN AP, and the following programs installed in the EUT were programmed during the test.

1. Data application is transferred between Notebook and EUT via USB cable.
2. Execute “GPS Test” to make the EUT receive continuous signals from GPS/ Glomass station.
3. Execute “Video player” to play MPEG4 files.
4. Turn on camera to capture images.
5. Execute “FM” function.

3. Test Result

3.1. Test of AC Conducted Emission Measurement

3.1.1 Limits of AC Conducted Emission

For equipment that is designed to be connected to the public utility (AC) power line, the radio frequency voltage that is conducted back onto the AC power line on any frequency or frequencies within the band 150 kHz to 30 MHz shall not exceed the limits in the following table.

Frequency of emission (MHz)	Conducted limit (dBuV)	
	Quasi-peak	Average
0.15-0.5	66 to 56*	56 to 46*
0.5-5	56	46
5-30	60	50

*Decreases with the logarithm of the frequency.

3.1.2 Measuring Instruments

The measuring equipment is listed in the section 4 of this test report.

3.1.3 Test Procedure

1. The EUT was placed 0.4 meter from the conducting wall of the shielding room was kept at least 80 centimeters from any other grounded conducting surface.
2. Connect EUT to the power mains through a line impedance stabilization network (LISN).
3. All the support units are connecting to the other LISN.
4. The LISN provides 50 ohm coupling impedance for the measuring instrument.
5. The FCC states that a 50 ohm, 50 microhenry LISN should be used.
6. Both sides of AC line were checked for maximum conducted interference.
7. The frequency range from 150 kHz to 30 MHz was searched.
8. Set the test-receiver system to Peak Detect Function and specified bandwidth (IF Bandwidth = 9kHz) with Maximum Hold Mode. Then measurement is also conducted by Average Detector and Quasi-Peak Detector Function respectively.

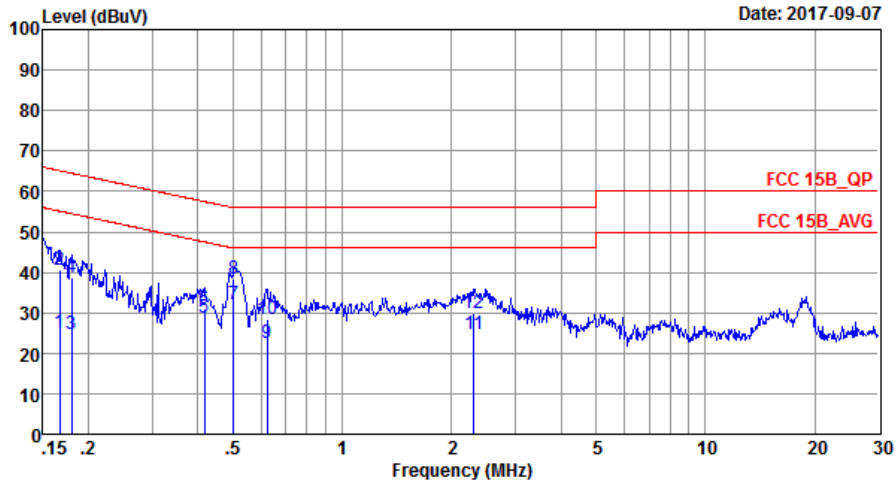
3.1.4 Test Setup





3.1.5 Test Result of AC Conducted Emission

Test Mode :	Mode 6	Temperature :	22~25°C
Test Engineer :	Peng Wang	Relative Humidity :	50~55%
Test Voltage :	120Vac / 60Hz	Phase :	Line
Function Type :	LTE Band 7 Idle + USB Cable(Data Link with Notebook) + Earphone + Bluetooth Idle + WLAN Idle(2.4G) + GPS on + SIM1		

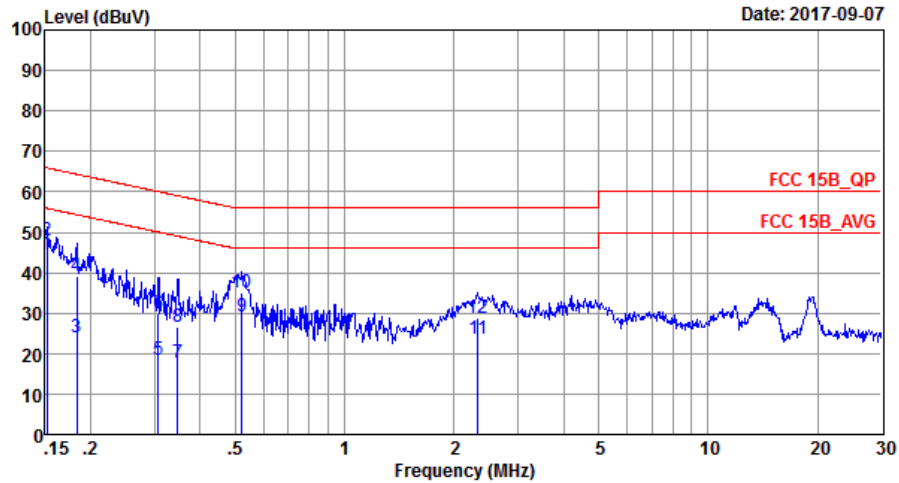


Site : CO01-SZ
 Condition: FCC 15B_QP LISN_20170301_L LINE
 Project : (FC)790406
 Mode : Mode 6
 IMEI : 351372098270497/351372098270505

	Freq	Level	Over Limit	Limit Line	Read Level	LISN Factor	Cable Loss	Remark
	MHz	dBuV	dB	dBuV	dBuV	dB	dB	
1	0.17	25.27	-29.85	55.12	14.90	0.03	10.34	Average
2	0.17	40.47	-24.65	65.12	30.10	0.03	10.34	QP
3	0.18	24.82	-29.68	54.50	14.50	0.03	10.29	Average
4	0.18	38.82	-25.68	64.50	28.50	0.03	10.29	QP
5	0.42	28.62	-18.89	47.51	18.40	0.03	10.19	Average
6	0.42	30.92	-26.59	57.51	20.70	0.03	10.19	QP
7 *	0.50	32.20	-13.80	46.00	22.00	0.02	10.18	Average
8	0.50	38.50	-17.50	56.00	28.30	0.02	10.18	QP
9	0.62	22.49	-23.51	46.00	12.30	0.02	10.17	Average
10	0.62	28.29	-27.71	56.00	18.10	0.02	10.17	QP
11	2.31	24.91	-21.09	46.00	14.60	0.13	10.18	Average
12	2.31	29.81	-26.19	56.00	19.50	0.13	10.18	QP



Test Mode :	Mode 6	Temperature :	22~25°C
Test Engineer :	Peng Wang	Relative Humidity :	50~55%
Test Voltage :	120Vac / 60Hz	Phase :	Neutral
Function Type :	LTE Band 7 Idle + USB Cable(Data Link with Notebook) + Earphone + Bluetooth Idle + WLAN Idle(2.4G) + GPS on + SIM1		



Site : C001-SZ
 Condition: FCC 15B_QP LISN_20170301_N NEUTRAL
 Project : (FC)790406
 Mode : Mode 6
 IMEI : 351372098270497/351372098270505

	Freq	Level	Over Limit	Limit Line	Read Level	LISN Factor	Cable Loss	Remark
	MHz	dBuV	dB	dBuV	dBuV	dB	dB	
1 *	0.15	44.83	-11.08	55.91	34.40	0.03	10.40	Average
2	0.15	48.13	-17.78	65.91	37.70	0.03	10.40	QP
3	0.18	24.01	-30.32	54.33	13.70	0.03	10.28	Average
4	0.18	39.21	-25.12	64.33	28.90	0.03	10.28	QP
5	0.31	18.55	-31.51	50.06	8.30	0.03	10.22	Average
6	0.31	30.05	-30.01	60.06	19.80	0.03	10.22	QP
7	0.35	17.83	-31.22	49.05	7.61	0.02	10.20	Average
8	0.35	26.73	-32.32	59.05	16.51	0.02	10.20	QP
9	0.52	29.30	-16.70	46.00	19.10	0.02	10.18	Average
10	0.52	35.10	-20.90	56.00	24.90	0.02	10.18	QP
11	2.32	23.62	-22.38	46.00	13.40	0.04	10.18	Average
12	2.32	28.82	-27.18	56.00	18.60	0.04	10.18	QP



3.2. Test of Radiated Emission Measurement

3.2.1. Limit of Radiated Emission

The emissions from an unintentional radiator shall not exceed the field strength levels specified in the following table:

Frequency (MHz)	Field Strength (microvolts/meter)	Measurement Distance (meters)
30 – 88	100	3
88 – 216	150	3
216 - 960	200	3
Above 960	500	3

3.2.2. Measuring Instruments

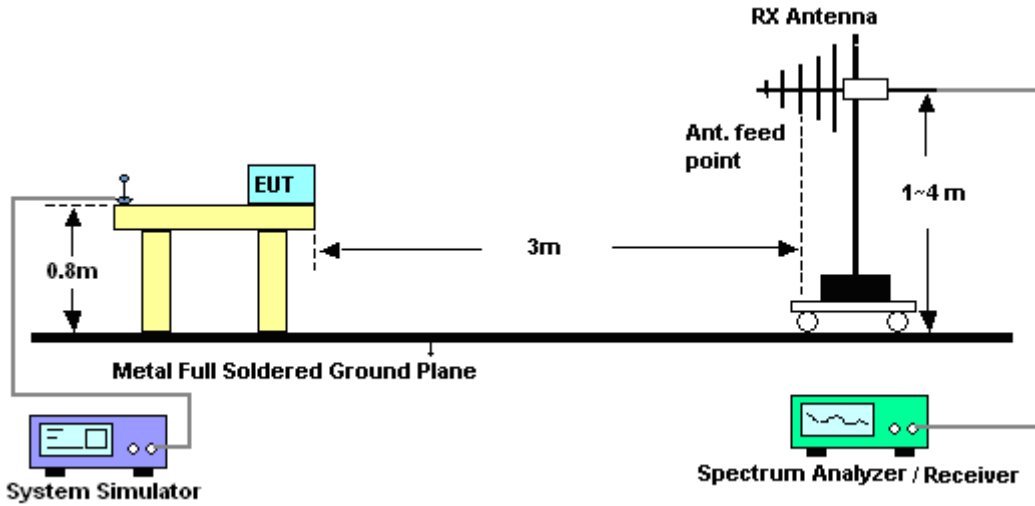
The measuring equipment is listed in the section 4 of this test report.

3.2.3. Test Procedures

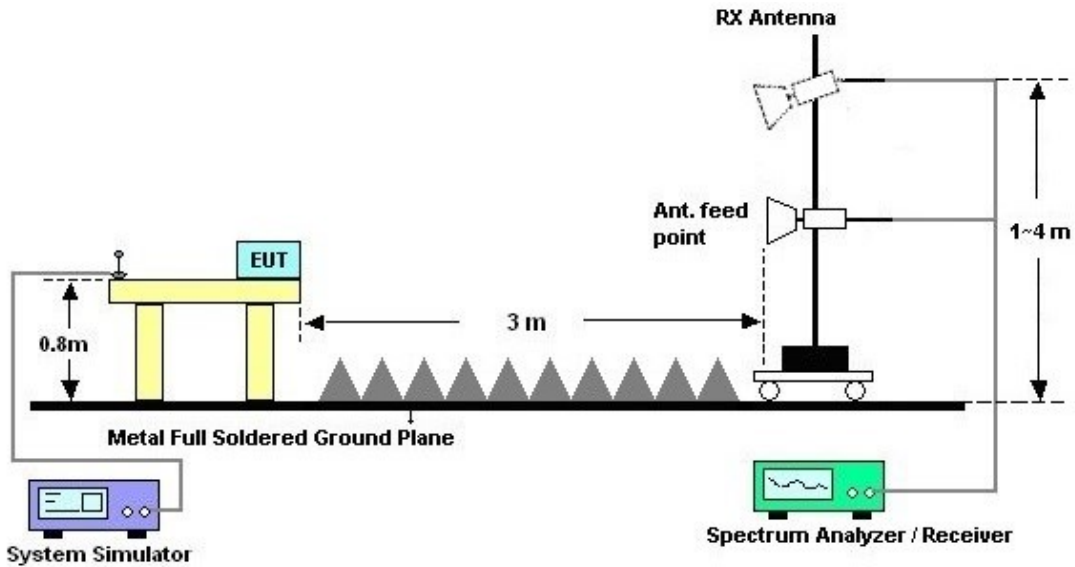
1. The EUT was placed on a turntable with 0.8 meter above ground.
2. The EUT was set 3 meters from the interference receiving antenna, which was mounted on the top of a variable height antenna tower.
3. The table was rotated 360 degrees to determine the position of the highest radiation.
4. The antenna is a Bi-Log antenna and its height is adjusted between one to four meters above ground to find the maximum value of the field strength for both horizontal polarization and vertical polarization of the antenna.
5. For each suspected emission, the EUT was arranged to its worst case and then tune the antenna tower (from 1 m to 4 m) and turntable (from 0 degree to 360 degrees) to find the maximum reading.
6. Set the test-receiver system to Peak Detect Function and specified bandwidth with Maximum Hold Mode (RBW=120kHz/VBW=300kHz for frequency below 1GHz; RBW=1MHz VBW=3MHz (Peak), RBW=1MHz/VBW=10Hz (Average) for frequency above 1GHz).
7. If the emission level of the EUT in peak mode was 3 dB lower than the limit specified, peak values of EUT will be reported. Otherwise, the emission will be repeated by using the quasi-peak method and reported.
8. Emission level (dBµV/m) = 20 log Emission level (µV/m)
9. Corrected Reading: Antenna Factor + Cable Loss + Read Level - Preamp Factor = Level

3.2.4. Test Setup of Radiated Emission

For radiated emissions from 30MHz to 1GHz



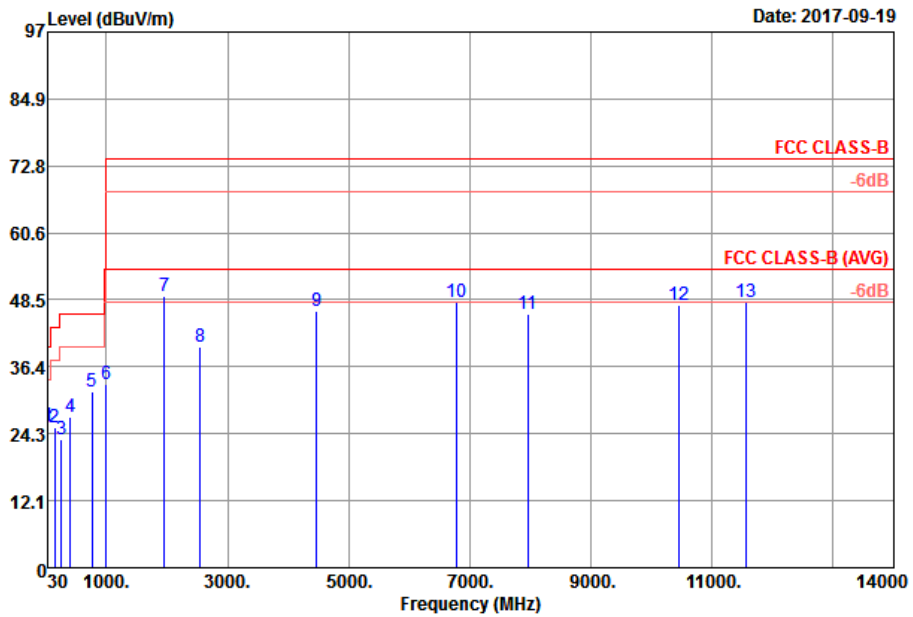
For radiated emissions above 1GHz





3.2.5. Test Result of Radiated Emission

Test Mode :	Mode 5	Temperature :	24 ~25°C
Test Engineer :	Liu lun	Relative Humidity :	48 ~49%
Test Distance :	3m	Polarization :	Horizontal
Function Type :	LTE Band 2 Idle + USB Cable(Charging from Adapter) + Earphone + Bluetooth Idle + WLAN Idle(2.4G) + Glonass on + SIM1		
Remark :	#7 is system simulator signal which can be ignored.		

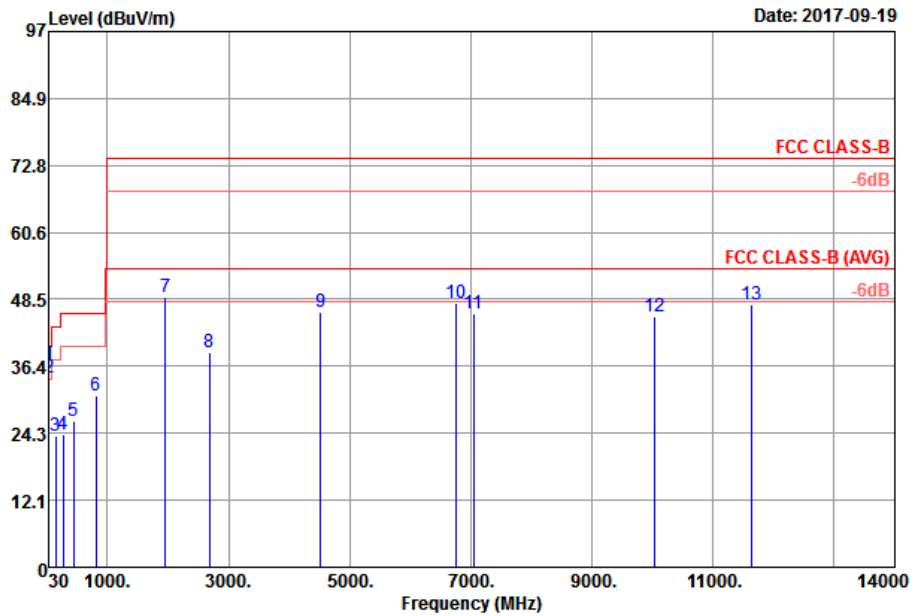


Site : 03CH01-SZ
 Condition : FCC CLASS-B 3m HF_ANT_9120D_1355_03 HORIZONTAL
 Project : 790406
 Mode : Mode 5
 IMEI : 351372098270596/351372098270604

	Freq	Level	Over	Limit	ReadAntenna	Cable	Preamp	A/Pos	T/Pos	Remark
	MHz	dBuV/m	dB	dBuV/m	dBuV	dB/m	dB	cm	deg	
1	30.27	25.69	-14.31	40.00	30.56	26.60	0.23	31.70	---	Peak
2	153.12	25.45	-18.05	43.50	37.53	17.98	1.33	31.39	---	Peak
3	253.56	23.30	-22.70	46.00	34.98	17.56	1.87	31.11	---	Peak
4	405.70	27.40	-18.60	46.00	32.32	23.97	2.41	31.30	---	Peak
5	760.60	31.83	-14.17	46.00	31.82	28.02	3.49	31.50	100	203 Peak
6	993.00	33.35	-20.65	54.00	30.63	30.05	4.17	31.50	---	Peak
7	1958.00	49.06			74.25	26.07	6.03	57.29	---	Peak
8	2554.00	39.91	-34.09	74.00	61.97	27.61	7.02	56.69	---	Peak
9	4470.00	46.45	-27.55	74.00	62.02	31.29	10.54	57.40	---	Peak
10	6776.00	48.08	-25.92	74.00	55.46	34.52	15.80	57.70	100	360 Peak
11	7952.00	45.95	-28.05	74.00	52.77	36.45	12.57	55.84	---	Peak
12	10442.00	47.61	-26.39	74.00	49.73	39.75	14.63	56.50	---	Peak
13	11550.00	48.02	-25.98	74.00	49.03	40.18	14.90	56.09	---	Peak



Test Mode :	Mode 5	Temperature :	24 ~25°C
Test Engineer :	Liu lun	Relative Humidity :	48 ~49%
Test Distance :	3m	Polarization :	Vertical
Function Type :	LTE Band 2 Idle + USB Cable(Charging from Adapter) + Earphone + Bluetooth Idle + WLAN Idle(2.4G) + Glonass on + SIM1		
Remark :	#7 is system simulator signal which can be ignored.		

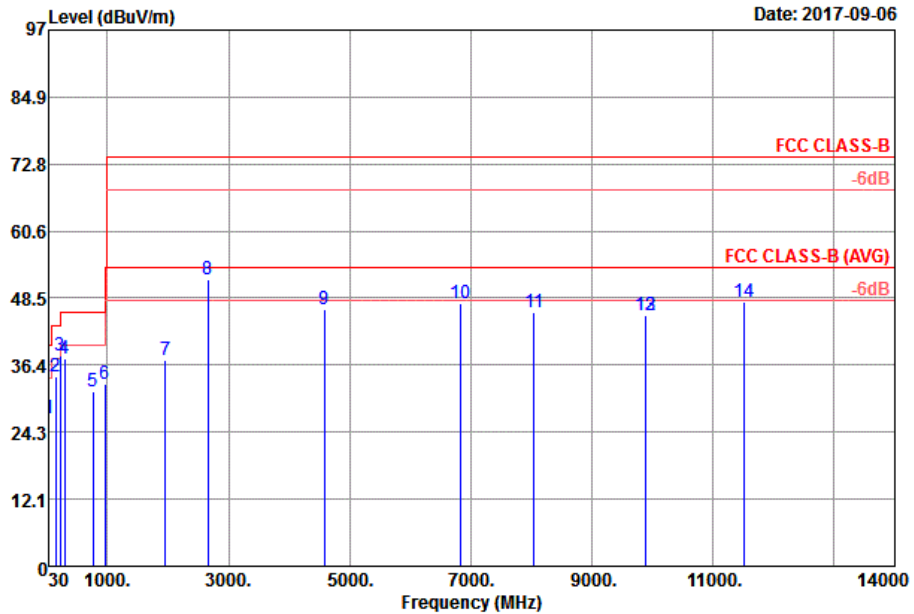


Site : 03CH01-SZ
 Condition : FCC CLASS-B 3m HF_ANT_9120D_1355_03 VERTICAL
 Project : 790406
 Mode : Mode 5
 IMEI : 351372098270596/351372098270604
 Plane : Y

	Freq	Level	Over	Limit	ReadAntenna	Cable	Preamp	A/Pos	T/Pos	Remark	
	MHz	dBuV/m	dB	dBuV/m	dBuV	dB/m	dB	dB	cm	deg	
1 !	34.86	36.87	-3.13	40.00	43.05	25.10	0.32	31.60	---	---	Peak
2 !	39.18	34.19	-5.81	40.00	42.24	23.18	0.37	31.60	100	0	QP
3	144.48	23.67	-19.83	43.50	35.58	18.24	1.26	31.41	---	---	Peak
4	270.84	24.13	-21.87	46.00	35.47	17.91	1.93	31.18	---	---	Peak
5	448.40	26.50	-19.50	46.00	30.76	24.48	2.56	31.30	---	---	Peak
6	806.80	31.06	-14.94	46.00	30.83	28.11	3.62	31.50	---	---	Peak
7	1962.00	48.85			73.99	26.11	6.03	57.28	---	---	Peak
8	2682.00	38.93	-35.07	74.00	60.53	27.90	7.23	56.73	---	---	Peak
9	4526.00	46.14	-27.86	74.00	61.50	31.42	10.57	57.35	---	---	Peak
10	6744.00	47.77	-26.23	74.00	55.24	34.43	15.74	57.64	100	300	Peak
11	7044.00	45.81	-28.19	74.00	54.32	35.19	14.36	58.06	---	---	Peak
12	10022.00	45.40	-28.60	74.00	48.17	38.87	14.53	56.17	---	---	Peak
13	11646.00	47.66	-26.34	74.00	48.96	39.97	14.92	56.19	---	---	Peak



Test Mode :	Mode 6	Temperature :	24 ~25°C
Test Engineer :	Liu lun	Relative Humidity :	48 ~49%
Test Distance :	3m	Polarization :	Horizontal
Function Type :	LTE Band 7 Idle + USB Cable(Data Link with Notebook) + Earphone + Bluetooth Idle + WLAN Idle(2.4G) + GPS on + SIM1		
Remark :	#8 is system simulator signal which can be ignored.		

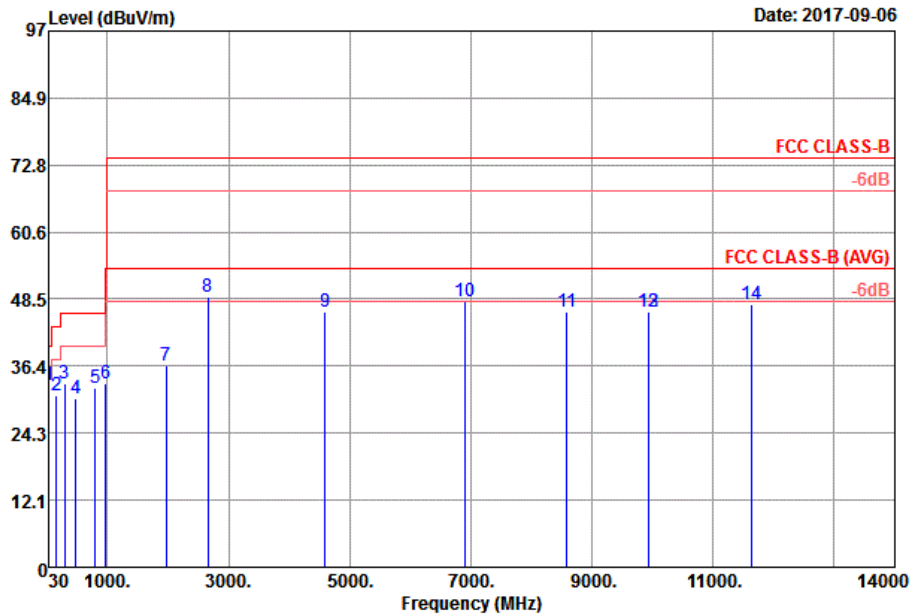


Site : 03CH01-SZ
 Condition : FCC CLASS-B 3m HF_ANT_9120D_1355_03 HORIZONTAL
 Project : 790406
 Mode : Mode 6
 IMEI : 351372098270596/351372098270604

	Freq	Level	Over	Limit	ReadAntenna	Cable	Preamp	A/Pos	T/Pos	Remark	
	MHz	dBuV/m	dB	dBuV/m	dBuV	dB/m	dB	dB	cm	deg	
1	38.10	26.67	-13.33	40.00	34.25	23.66	0.36	31.60	---	---	Peak
2	147.99	34.38	-9.12	43.50	46.34	18.15	1.29	31.40	---	---	Peak
3	221.43	38.18	-7.82	46.00	50.93	16.69	1.72	31.16	100	155	Peak
4	300.00	37.42	-8.58	46.00	48.18	18.50	2.04	31.30	---	---	Peak
5	759.20	31.49	-14.51	46.00	31.48	28.02	3.49	31.50	---	---	Peak
6	964.30	33.09	-20.91	54.00	30.75	29.82	4.02	31.50	---	---	Peak
7	1956.00	37.25	-36.75	74.00	62.44	26.07	6.03	57.29	---	---	Peak
8	2658.00	51.89			73.52	27.87	7.23	56.73	---	---	Peak
9	4586.00	46.54	-27.46	74.00	61.59	31.49	10.64	57.18	---	---	Peak
10	6824.00	47.62	-26.38	74.00	54.90	34.65	15.85	57.78	---	---	Peak
11	8048.00	46.01	-27.99	74.00	52.41	36.58	12.58	55.56	---	---	Peak
12	9880.00	45.49	-28.51	74.00	48.88	38.75	14.08	56.22	---	---	Peak
13	11514.00	47.77	-26.23	74.00	48.61	40.30	14.89	56.03	---	---	Peak



Test Mode :	Mode 6	Temperature :	24 ~25°C
Test Engineer :	Liu lun	Relative Humidity :	48 ~49%
Test Distance :	3m	Polarization :	Vertical
Function Type :	LTE Band 7 Idle + USB Cable(Data Link with Notebook) + Earphone + Bluetooth Idle + WLAN Idle(2.4G) + GPS on + SIM1		
Remark :	#8 is system simulator signal which can be ignored.		



Site : 03CH01-SZ
 Condition : FCC CLASS-B 3m HF_ANT_9120D_1355_03 VERTICAL
 Project : 790406
 Mode : Mode 6
 IMEI : 351372098270596/351372098270604

	Freq	Level	Over	Limit	ReadAntenna	Cable	Preamp	A/Pos	T/Pos	Remark
	MHz	dBuV/m	dB	dBuV/m	dBuV	dB/m	dB	dB	cm	deg
1	36.48	33.06	-6.94	40.00	40.18	24.14	0.34	31.60	100	152 Peak
2	164.46	31.19	-12.31	43.50	43.62	17.51	1.40	31.34	---	Peak
3	298.65	33.35	-12.65	46.00	44.12	18.48	2.04	31.29	---	Peak
4	479.90	30.46	-15.54	46.00	35.50	23.67	2.65	31.36	---	Peak
5	799.10	32.30	-13.70	46.00	32.09	28.10	3.61	31.50	---	Peak
6	972.00	33.21	-20.79	54.00	30.77	29.88	4.06	31.50	---	Peak
7	1972.00	36.51	-37.49	74.00	61.65	26.11	6.03	57.28	---	Peak
8	2654.00	48.99		74.00	70.73	27.83	7.15	56.72	---	Peak
9	4590.00	46.07	-27.93	74.00	61.12	31.49	10.64	57.18	---	Peak
10	6912.00	48.01	-25.99	74.00	55.96	34.88	15.08	57.91	---	Peak
11	8582.00	46.20	-27.80	74.00	51.24	37.25	12.54	54.83	---	Peak
12	9942.00	46.32	-27.68	74.00	49.49	38.78	14.23	56.18	---	Peak
13	11646.00	47.66	-26.34	74.00	48.96	39.97	14.92	56.19	---	Peak



4. List of Measuring Equipment

Instrument	Manufacturer	Model No.	Serial No.	Characteristics	Calibration Date	Test Date	Due Date	Remark
EMI Receiver	R&S	ESR7	101630	9kHz~7GHz;	Jan. 06, 2017	Sep. 06, 2017~ Sep. 07, 2017	Jan. 05, 2018	Conduction (CO01-SZ)
AC LISN	EMCO	3816/2SH	00103912	9kHz~30MHz	Jan. 05, 2017	Sep. 06, 2017~ Sep. 07, 2017	Jan. 04, 2018	Conduction (CO01-SZ)
AC LISN (for auxiliary equipment)	MessTec	3816/2SH	00103892	9kHz~30MHz	Jan. 05, 2017	Sep. 06, 2017~ Sep. 07, 2017	Jan. 04, 2018	Conduction (CO01-SZ)
AC Power Source	Chroma	61601	61601000198 5	N/A	NCR	Sep. 06, 2017~ Sep. 07, 2017	NCR	Conduction (CO01-SZ)
EMI Test Receiver&SA	Agilent	N9038A	MY52260185	20Hz~26.5GHz	Apr. 20, 2017	Sep. 06, 2017~ Sep. 19, 2017	Apr. 19, 2018	Radiation (03CH01-SZ)
HF Amplifier	KEYSIGHT	83017A	MY53270104	0.5GHz~26.5GHz	Oct. 11, 2016	Sep. 06, 2017~ Sep. 19, 2017	Oct. 10, 2017	Radiation (03CH01-SZ)
Bilog Antenna	TeseQ	CBL6112D	23188	30MHz-2GHz	Apr. 25, 2017	Sep. 06, 2017~ Sep. 19, 2017	Apr. 24, 2018	Radiation (03CH01-SZ)
Double Ridge Horn Antenna	SCHWARZBE CK	BBHA 9120D	9120D-1285	1GHz~18GHz	Jan. 12, 2017	Sep. 06, 2017~ Sep. 19, 2017	Jan. 11, 2018	Radiation (03CH01-SZ)
LF Amplifier	Burgeon	BPA-530	102209	0.01~3000Mhz	Apr. 20, 2017	Sep. 06, 2017~ Sep. 19, 2017	Apr. 19, 2018	Radiation (03CH01-SZ)
AC Power Source	Chroma	61601	61601000198 5	N/A	NCR	Sep. 06, 2017~ Sep. 19, 2017	NCR	Radiation (03CH01-SZ)
Turn Table	EM	EM1000	N/A	0~360 degree	NCR	Sep. 06, 2017~ Sep. 19, 2017	NCR	Radiation (03CH01-SZ)
Antenna Mast	EM	EM1000	N/A	1 m~4 m	NCR	Sep. 06, 2017~ Sep. 19, 2017	NCR	Radiation (03CH01-SZ)

NCR: No Calibration Required



5. Uncertainty of Evaluation

Uncertainty of Conducted Emission Measurement (150 kHz ~ 30 MHz)

Measuring Uncertainty for a Level of Confidence of 95% ($U = 2Uc(y)$)	2.5dB
---	-------

Uncertainty of Radiated Emission Measurement (30 MHz ~ 1000 MHz)

Measuring Uncertainty for a Level of Confidence of 95% ($U = 2Uc(y)$)	5.1dB
---	-------

Uncertainty of Radiated Emission Measurement (1GHz ~ 18GHz)

Measuring Uncertainty for a Level of Confidence of 95% ($U = 2Uc(y)$)	5.2dB
---	-------