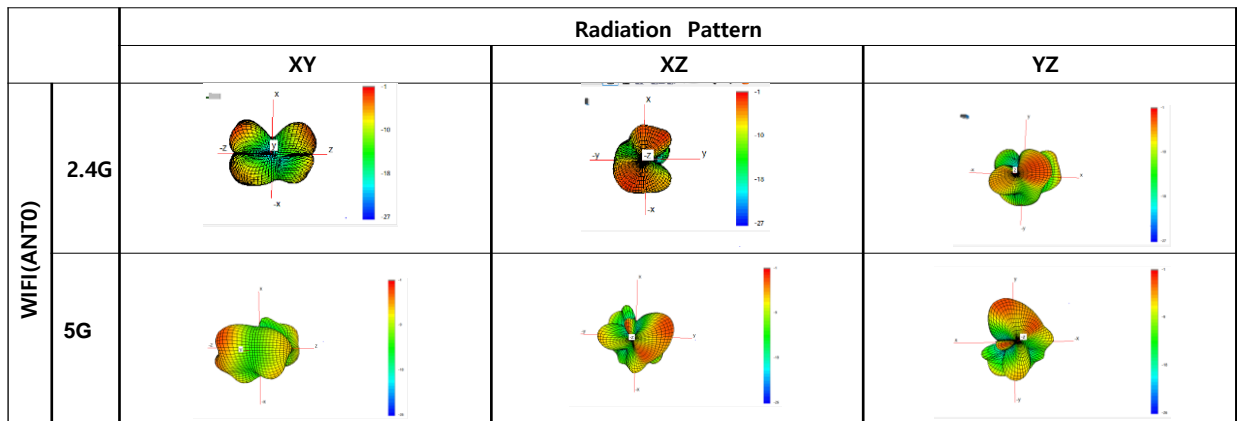
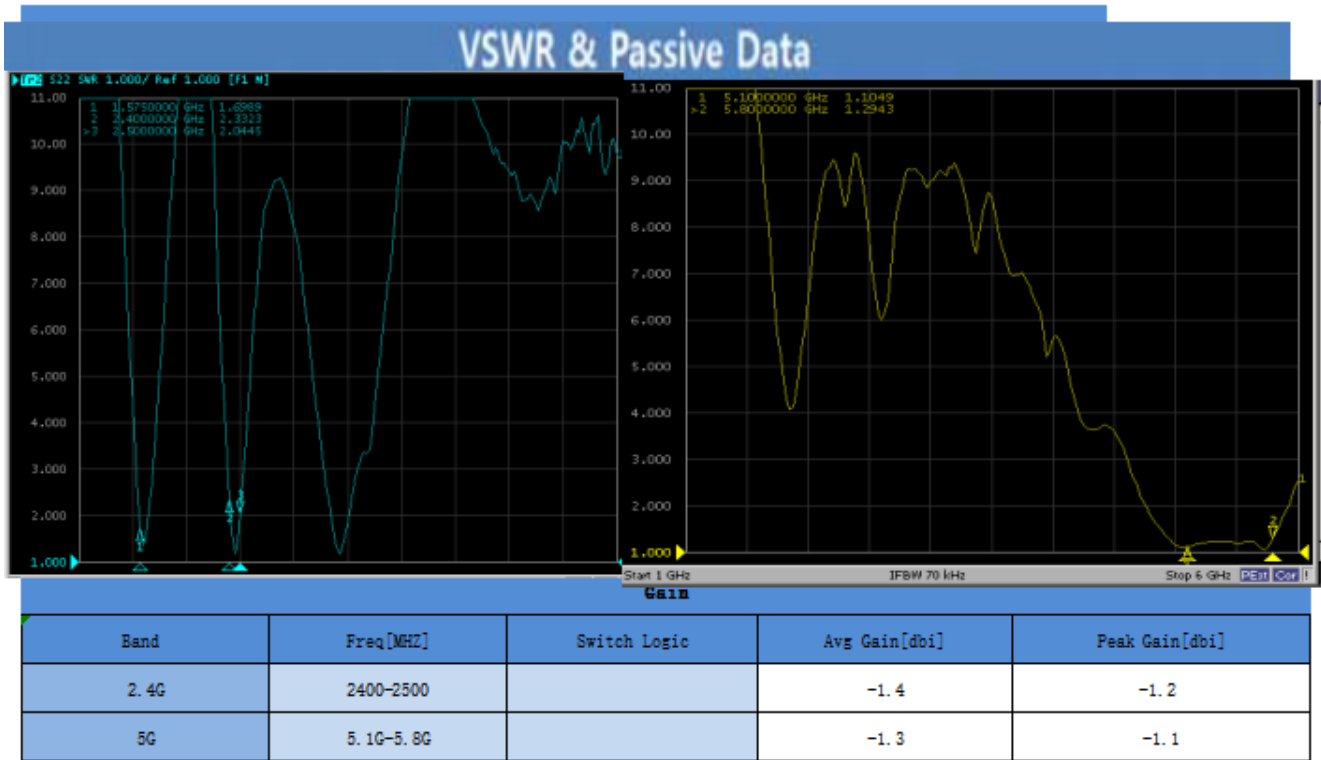


BL-E15DZH

Antenna

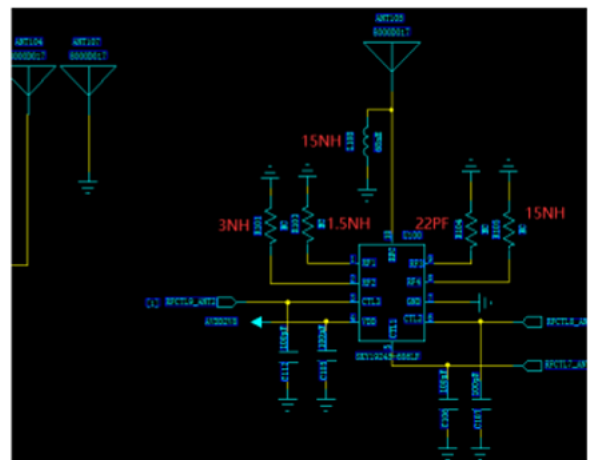
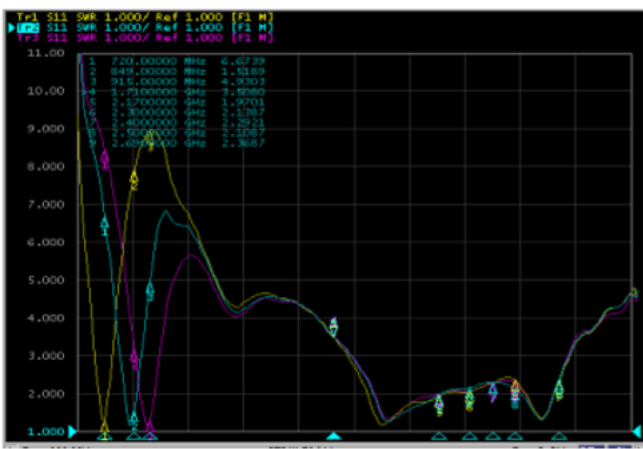
Specifications

# 1. BT WIFI ANT



## 2. WWAN ANT

### VSWR & Passive Data



### Gain

Band	Freq[MHZ]	Switch Logic	Avg Gain[dBi]	Peak Gain[dBi]	
B1	1920-2170	RF1	1.5nH	-5.6	-1.5
B3	1710-1880	RF1	1.5nH	-5.6	-1.3
B2	1880-1990	RF1	1.5nH	-3.4	-1.2
B4 (66)	1710-1755	RF1	1.5nH	-3.8	-1.4
	1710-1880		1.5nH	-3.9	-1.3
B5	824-894	RF2	3.0nH	-5.5	-3.7
B7	2500-2690	RF1	1.5nH	-3.7	-1.5
B8	890-960	RF1	1.5nH	-5.8	-3.5
B12	699-746	OFF	15nH	-6.3	-3.8
B13	777-787	RF4	15nH	-6.8	-4.1
	746-756		15nH	-6.9	-4.1
B17	704-746	RF4	15nH	-5.4	-3.9
B28	708-742	RF4	15nH	-5.6	-3.7
B71	617-698	OFF	15nH	-5.8	-4.3

## 2 Test Condition

### 2.1 Test Environment (Condition/Method)

#### ① Voltage Standing Wave Ratio(VSWR)

Step 1. Set the frequency range after connect 50cm cable to Network analyzer.

Step 2. Connect Calibration Kit to Network analyzer and calibrate.

Step 3. Fix the cable and keep separation distance over 30cm for reducing effect by Network analyzer.

Step 4. Fix insulator over 5cm on the bottom of measuring antenna.

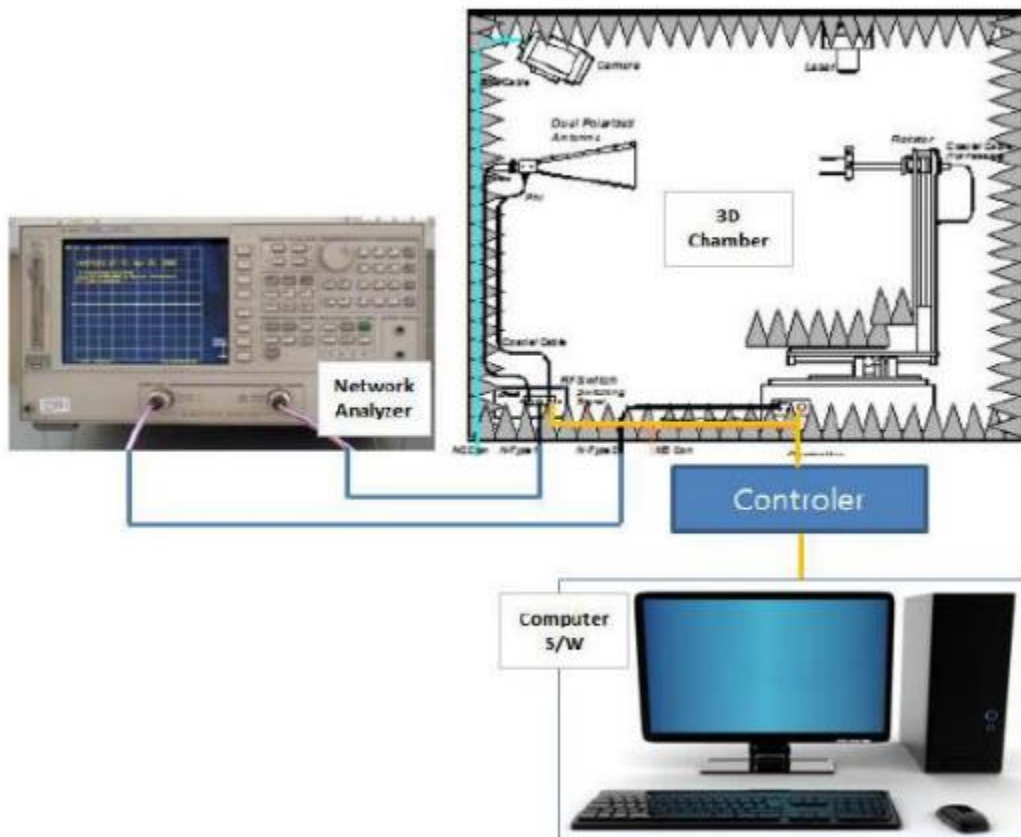
Step 5. Measure VSWR with setting marker of desired frequency.

## ② Radiation & Gain

Step 1. Calibrate the Chamber system using Horn antenna, and set up the software to control the Chamber system at the same time.

Step 2. Keep the measuring antenna to holder.

Step 3. Measure Gain & efficiency.

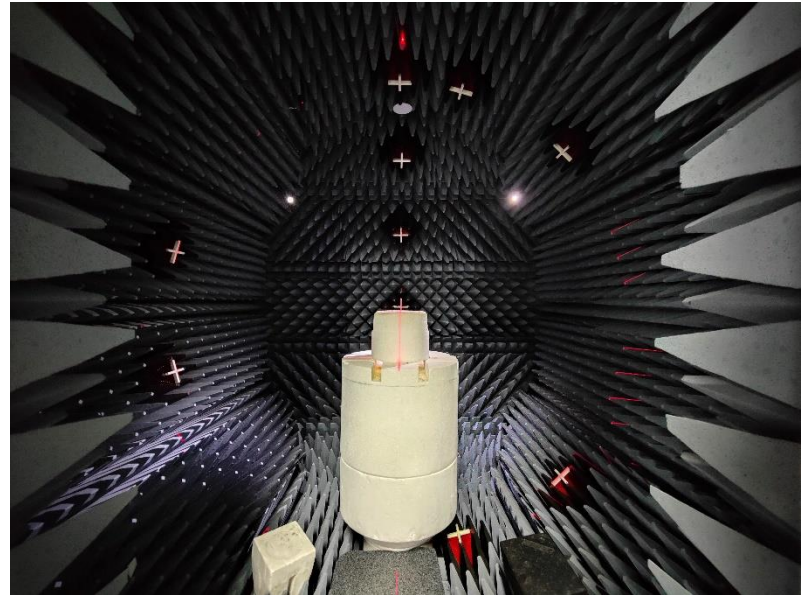
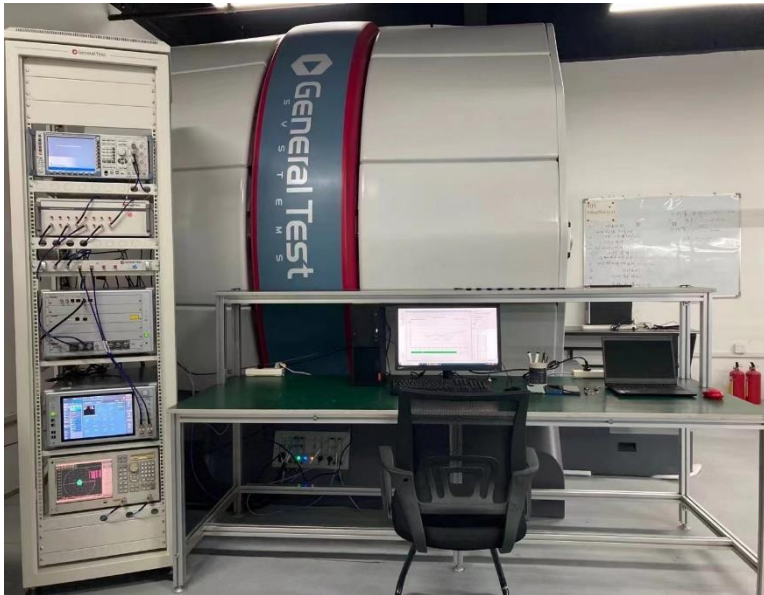


### 3 Antenna description

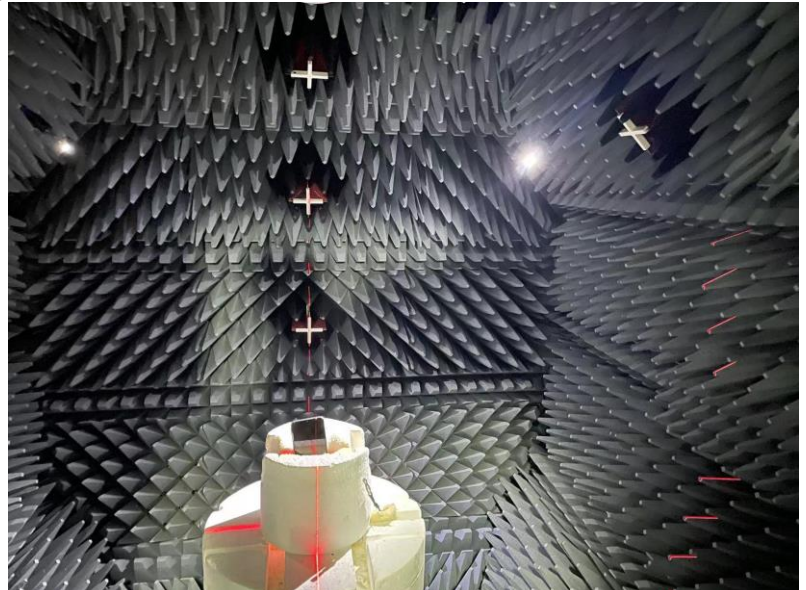
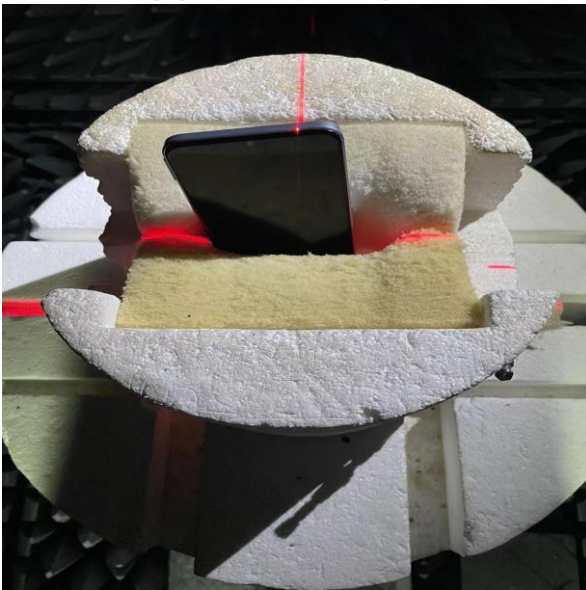
Type : PIFA

### 4 List of Measuring Equipment

#### Multi-Probe OTA Measurement System



DUT setup photo of free space OTA testing



5

Name	shenzhen Fu Bang Wireless Technical Limited Company
Address	3th Floor, Building T1, Lianjian Industrial Park,Huaxing Road, longhuadalang District,Shenzhen
Tel	13691727201
E-mail	eting2007@163.com
Equipment	GTS2800

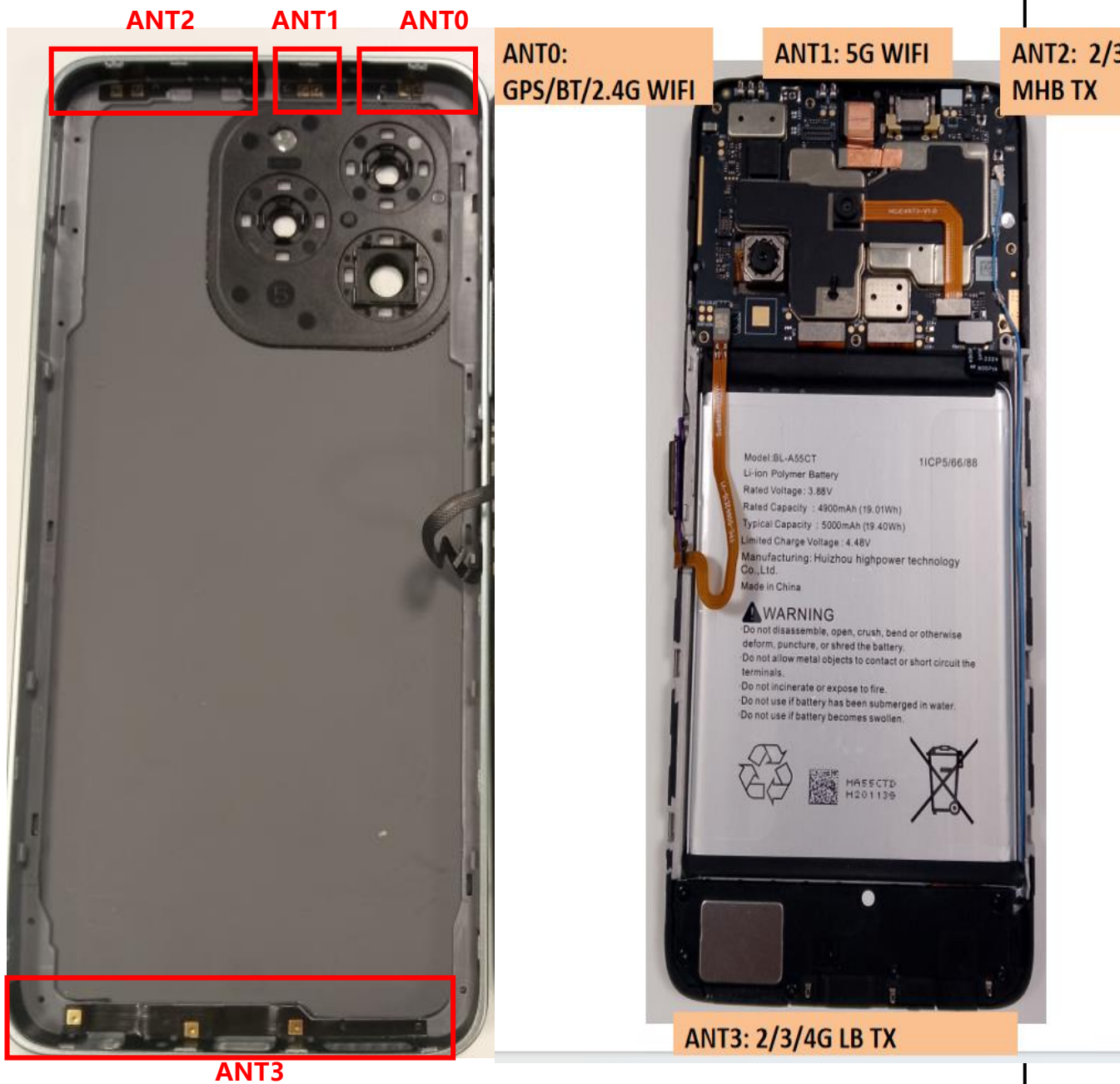


Model Name	BL-E15DZH	Coosea Group Co.,Ltd	Fu Bang	Part Number	ALDMARG
Revision	1.0			Revision date	2024-4-9

## 2. Product Specification

### 2.1 EUT appearance

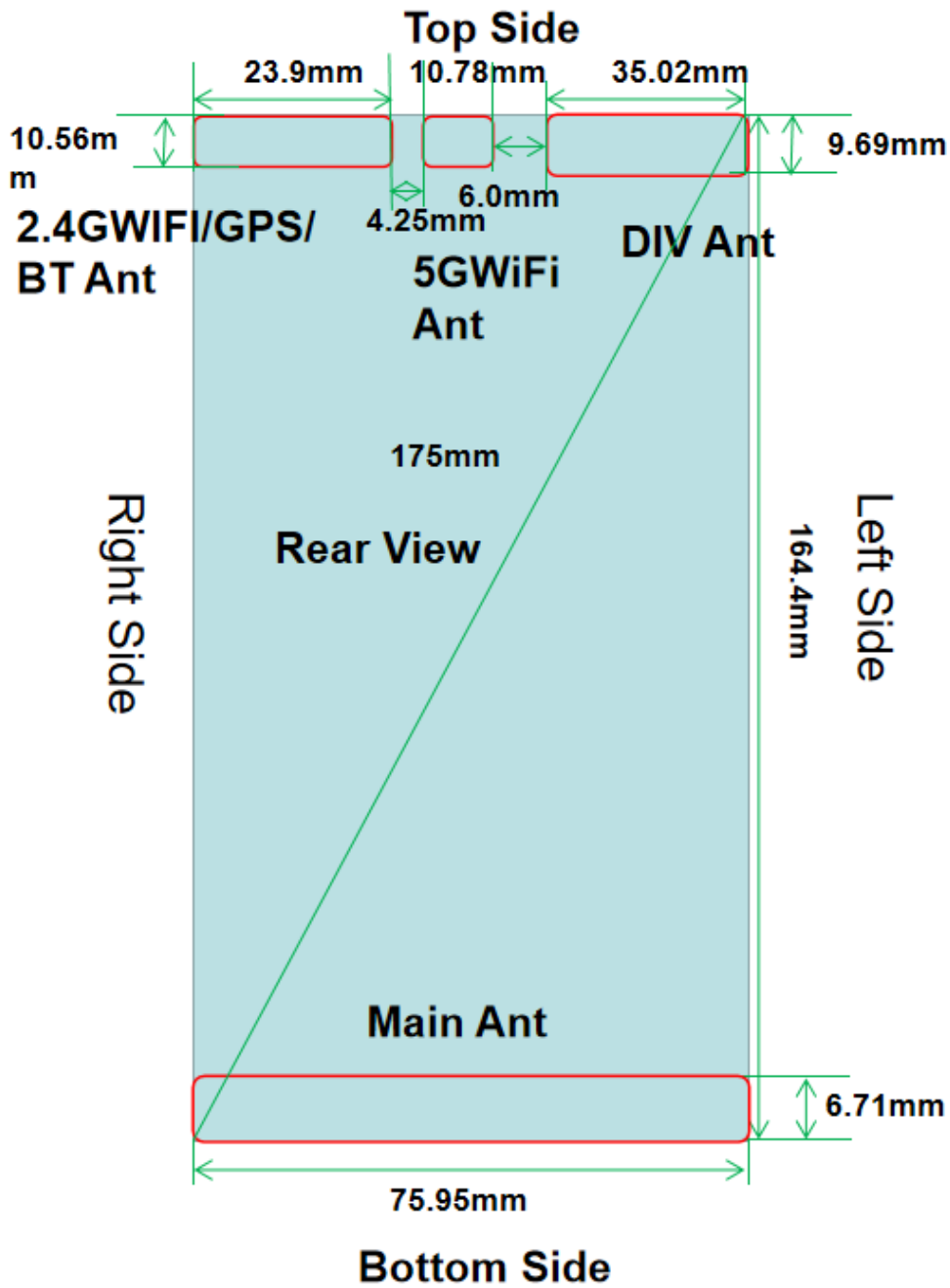
Specification          FPC



Model Name	BL-E15DZH	Coosea Group Co.,Ltd.	Fu Bang	Part Number	ALDMARG
Revision	1.0			Revision date	2024-4-9

## 2.Product Specification

### 2.2 Size and shape\_Pattern





Model Name	BL-E15DZH	Coosea Group Co.,Ltd.	Fu Bang	Part Number	ALDMARG
Revision	1.0			Revision date	2024-4-9

## 2.Product Specification

### 2.3 ANT size (mm)

