

Test Laboratory: UnionTrust

System Check_H835

Communication System: CW; Frequency: 835 MHz; Duty Cycle: 1:1

Medium parameters used: $f = 835 \text{ MHz}$; $\sigma = 0.918 \text{ mho/m}$; $\epsilon_r = 42.9$; $\rho = 1000 \text{ kg/m}^3$

Phantom section: Flat Section

Measurement Standard: DASYS4 (High Precision Assessment)

DASY4 Configuration:

- Probe: ES3DV3 - SN3089; ConvF(6.14, 6.14, 6.14); Calibrated: 2018-5-18
- Sensor-Surface: 3mm (Mechanical Surface Detection)
- Electronics: DAE4 Sn662; Calibrated: 2018-5-11
- Phantom: SAM 1; Type: QD 000 P40 CB; Serial: TP/1378
- Measurement SW: DASYS4, V4.7 Build 55; Postprocessing SW: SEMCAD, V1.8 Build 176

system check/Area Scan (51x101x1): Measurement grid: $dx=15\text{mm}$, $dy=15\text{mm}$

Maximum value of SAR (interpolated) = 1.17 mW/g

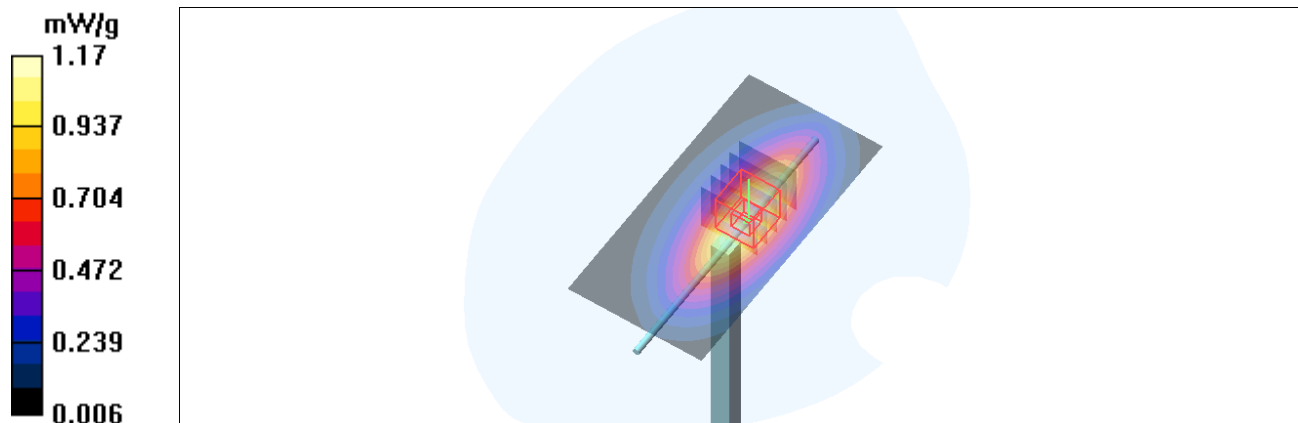
system check/Zoom Scan (5x5x7)/Cube 0: Measurement grid: $dx=8\text{mm}$, $dy=8\text{mm}$, $dz=5\text{mm}$

Reference Value = 33.4 V/m; Power Drift = -0.09 dB

Peak SAR (extrapolated) = 1.54 W/kg

SAR(1 g) = 0.990 mW/g; SAR(10 g) = 0.636 mW/g

Maximum value of SAR (measured) = 1.16 mW/g



Test Laboratory: UnionTrust

System Check_H1900

Communication System: CW; Frequency: 1900 MHz; Duty Cycle: 1:1

Medium parameters used: $f = 1900$ MHz; $\sigma = 1.41$ mho/m; $\epsilon_r = 41.3$; $\rho = 1000$ kg/m³

Phantom section: Flat Section

Measurement Standard: DASYS4 (High Precision Assessment)

DASY4 Configuration:

- Probe: ES3DV3 - SN3089; ConvF(4.81, 4.81, 4.81); Calibrated: 2018-5-18
- Sensor-Surface: 3mm (Mechanical Surface Detection)
- Electronics: DAE4 Sn662; Calibrated: 2018-5-11
- Phantom: SAM 2; Type: QD 000 P40 CB; Serial: TP-1376
- Measurement SW: DASYS4, V4.7 Build 55; Postprocessing SW: SEMCAD, V1.8 Build 176

system check/Area Scan (51x71x1): Measurement grid: dx=15mm, dy=15mm

Maximum value of SAR (interpolated) = 6.03 mW/g

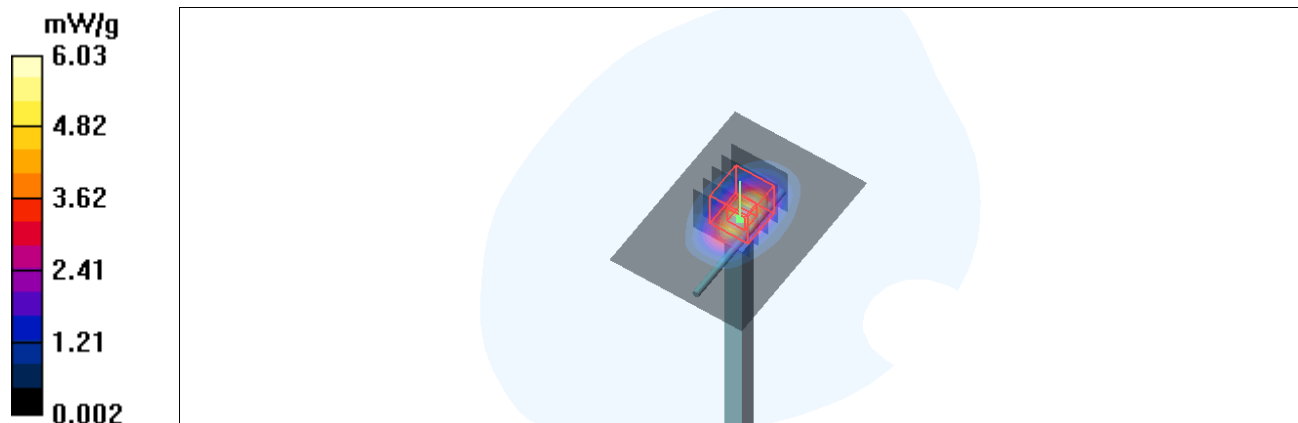
system check/Zoom Scan (5x5x7)/Cube 0: Measurement grid: dx=8mm, dy=8mm, dz=5mm

Reference Value = 62.6 V/m; Power Drift = -0.02 dB

Peak SAR (extrapolated) = 7.92 W/kg

SAR(1 g) = 4.2 mW/g; SAR(10 g) = 2.15 mW/g

Maximum value of SAR (measured) = 5.33 mW/g



Test Laboratory: UnionTrust

System Check_B835

Communication System: CW; Frequency: 835 MHz; Duty Cycle: 1:1

Medium parameters used: $f = 835$ MHz; $\sigma = 0.98$ mho/m; $\epsilon_r = 55.8$; $\rho = 1000$ kg/m³

Phantom section: Center Section

Measurement Standard: DASYS4 (High Precision Assessment)

DASY4 Configuration:

- Probe: ES3DV3 - SN3089; ConvF(6.21, 6.21, 6.21); Calibrated: 2018-5-18
- Sensor-Surface: 3mm (Mechanical Surface Detection)
- Electronics: DAE4 Sn662; Calibrated: 2018-5-11
- Phantom: Triple Flat Phantom 5.1C; Type: QD 000 P51 CA; Serial: 1125
- Measurement SW: DASYS4, V4.7 Build 55; Postprocessing SW: SEMCAD, V1.8 Build 176

system check/Area Scan (51x101x1): Measurement grid: dx=15mm, dy=15mm

Maximum value of SAR (interpolated) = 1.10 mW/g

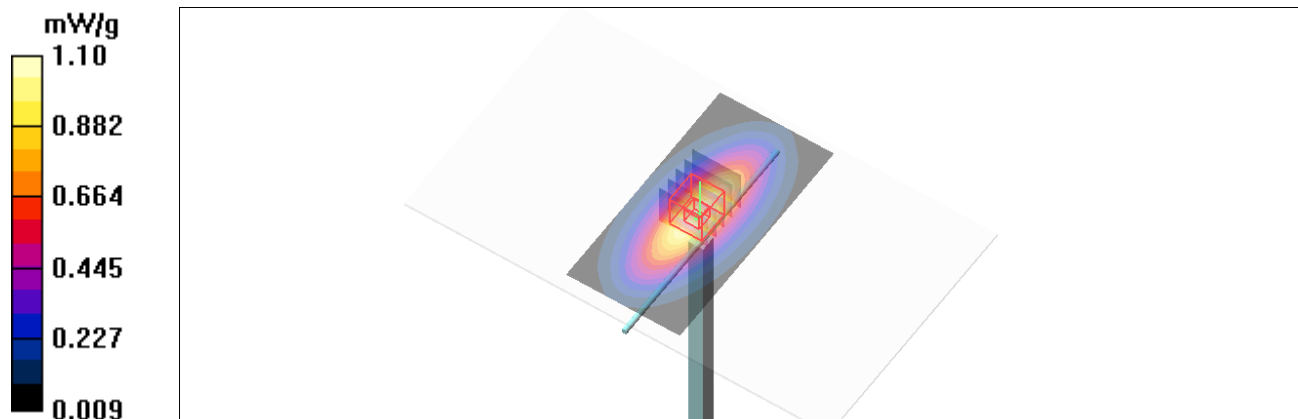
system check/Zoom Scan (5x5x7)/Cube 0: Measurement grid: dx=8mm, dy=8mm, dz=5mm

Reference Value = 34.4 V/m; Power Drift = -0.04 dB

Peak SAR (extrapolated) = 1.44 W/kg

SAR(1 g) = 0.944 mW/g; SAR(10 g) = 0.612 mW/g

Maximum value of SAR (measured) = 1.10 mW/g



Test Laboratory: UnionTrust

System Check_B1900

Communication System: CW; Frequency: 1900 MHz; Duty Cycle: 1:1

Medium parameters used: $f = 1900$ MHz; $\sigma = 1.55$ mho/m; $\epsilon_r = 54$; $\rho = 1000$ kg/m³

Phantom section: Flat Section

Measurement Standard: DASYS4 (High Precision Assessment)

DASY4 Configuration:

- Probe: ES3DV3 - SN3089; ConvF(4.52, 4.52, 4.52); Calibrated: 2018-5-18
- Sensor-Surface: 3mm (Mechanical Surface Detection)
- Electronics: DAE4 Sn662; Calibrated: 2018-5-11
- Phantom: SAM 2; Type: QD 000 P40 CB; Serial: TP-1376
- Measurement SW: DASYS4, V4.7 Build 55; Postprocessing SW: SEMCAD, V1.8 Build 176

system check/Area Scan (51x71x1): Measurement grid: dx=15mm, dy=15mm

Maximum value of SAR (interpolated) = 6.40 mW/g

system check/Zoom Scan (5x5x7)/Cube 0: Measurement grid: dx=8mm, dy=8mm, dz=5mm

Reference Value = 60.0 V/m; Power Drift = 0.03 dB

Peak SAR (extrapolated) = 7.75 W/kg

SAR(1 g) = 4.2 mW/g; SAR(10 g) = 2.16 mW/g

Maximum value of SAR (measured) = 5.34 mW/g

