



Mobile antenna test report

HEYUAN XUNWEI MICROWAVE
COMMUNICATION CO.,LTD

RF: wangxinfeng

Date: 2022.11.30

Contents:

Test equipment

Modal information

Matching circuit

Active performance

Antenna dimension drawing

test data

Test equipment

Wireless communications test set: CMW500

Network Analyzer: Agilent 5071B

Anechoic Chamber : SATIMO SG24

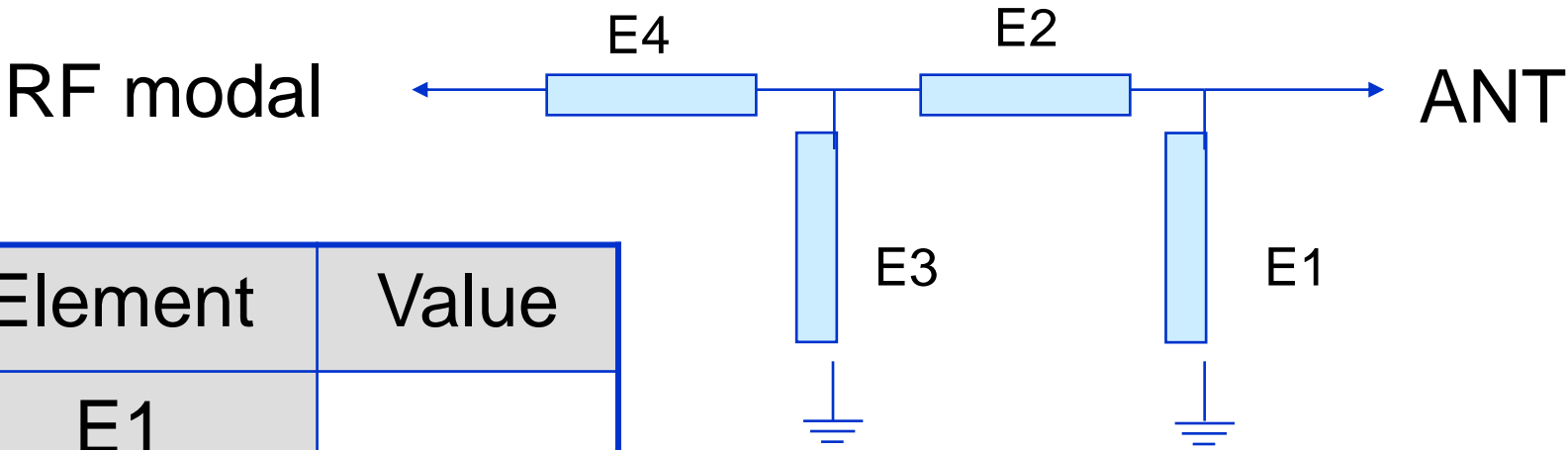


Antenna information

Customer	Boat of wealth
Antenna model	FPC
Antenna type	PIFA

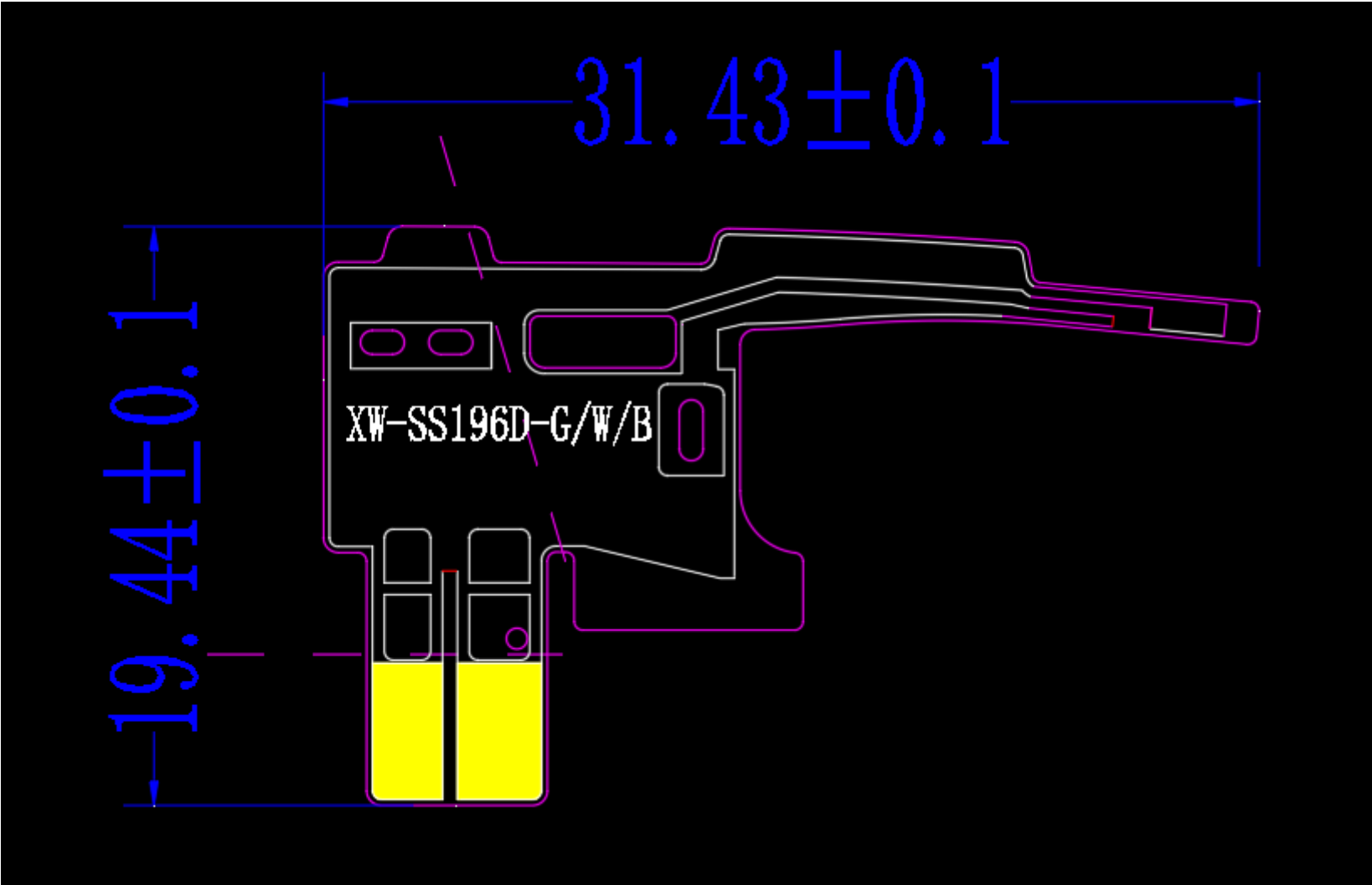
frequency range (MHz)	2400–2500
VSWR	<3.5

Matching circuit (No modification)



Element	Value
E1	
E2	
E3	
E4	

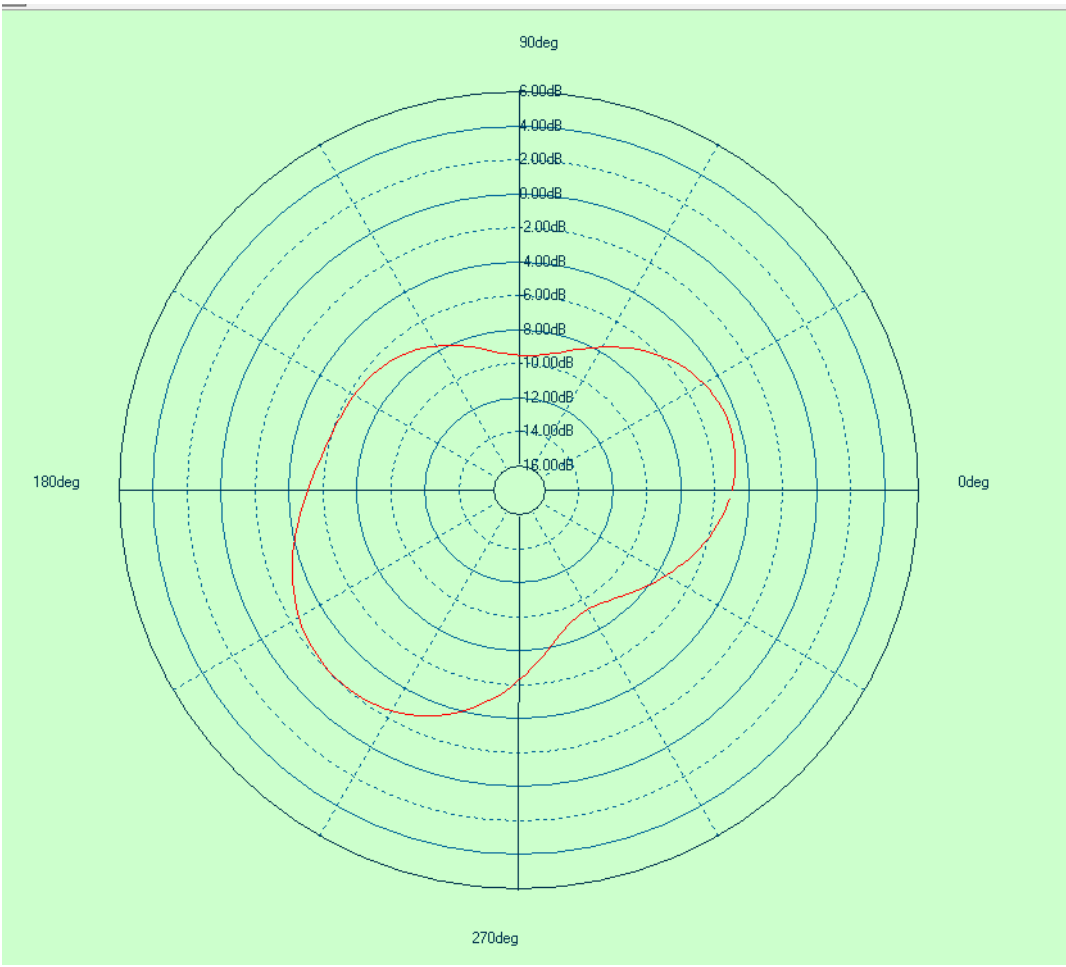
Antenna dimension drawing



WIFI/BT(2.4G) efficiency and gain

WIFI/BT(2.4G)		
Frequency	Efficiency (%)	Gain Max (dBi)
2400MHZ~2500MHZ	37%	-0.52

WIFI /BT2.4G test direction map



WIFI/BT2.4G test direction map

