

# 天线技术规格书 Antenna Specification

**Brand Name:** J10L

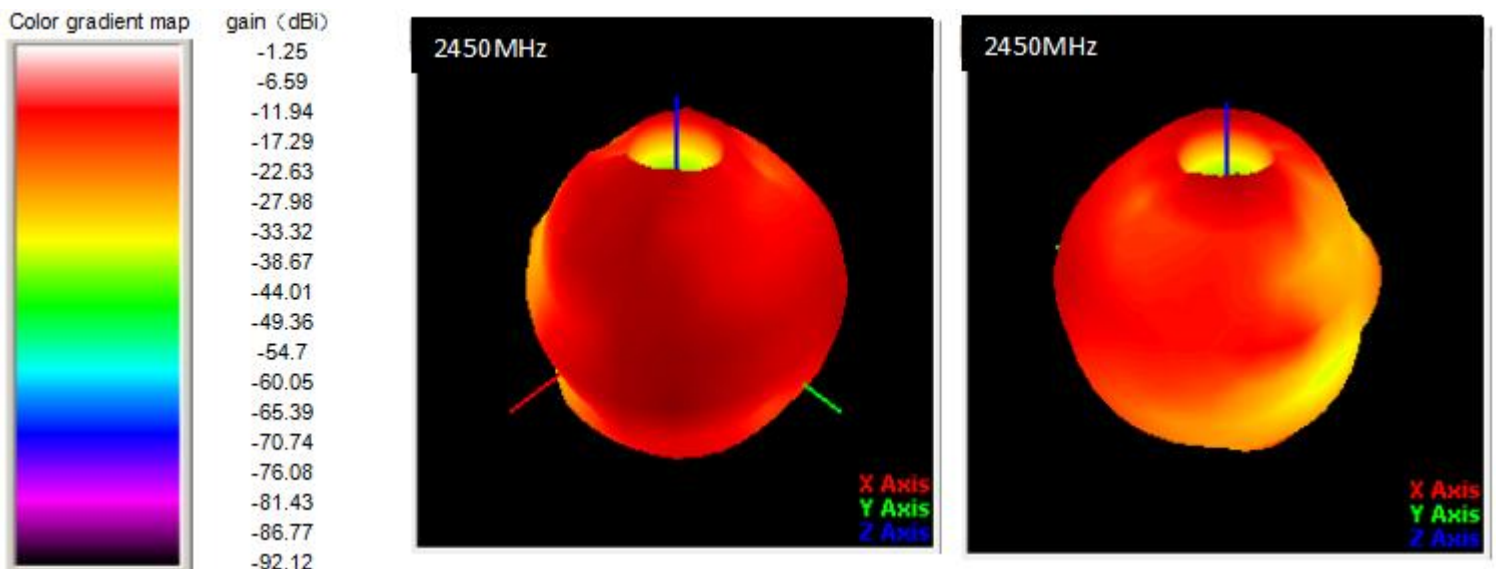
**Manufacture:** ShenZhen QiXinTongDa Technology Co.,Ltd.

**Manufacturing address:** Shenzhen Qixin Tongda Technology Co., Ltd., 3rd floor, Building 1, Shayi North Yongfa Technology Park, Shajing Street, Bao'an District, Shenzhen

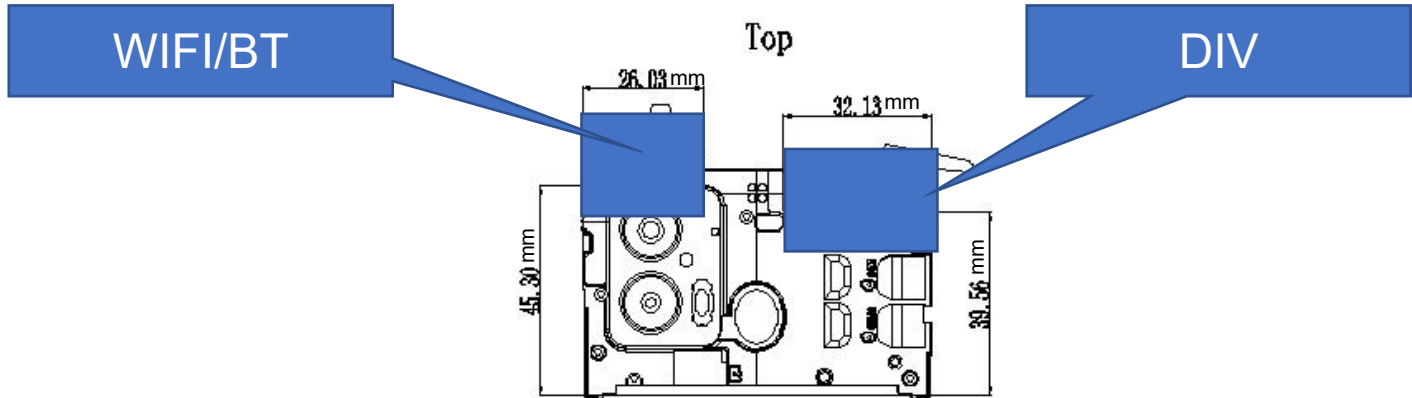
## 设计规格 specifications

频率范围 Frequency (MHz)	WIFI/BT: 2400~2500
电压驻波比 VSWR	≤1.5
峰值增益 Peak Gain (dBi)	-1.25
效率 Efficiency (%)	≥28
天线类型 Type	FPC Antenna
辐射方向 Radiation Properties	全向 Omni-directional
最大输入功率 Max Input Power(Watts)	2
极化方式 Polarization	垂直 vertical
阻抗 Impedance (Ohms)	50
工作温度 Operation Temperature	-40℃ to +80℃
储存温度 Storage Temperature	-40℃ to 65℃
相对湿度 Relative Humidity	≤60%
环保认证 ROHS Compliant	通过 Yes

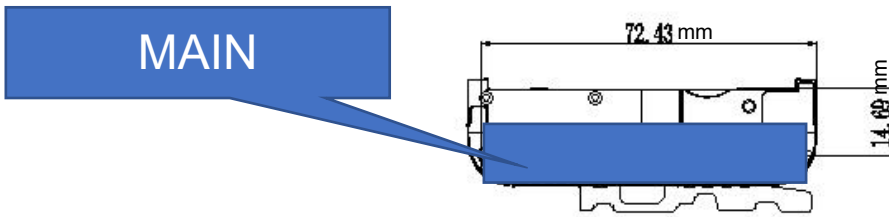
## WIFI/BT 辐射方向图 Radiation Patterns



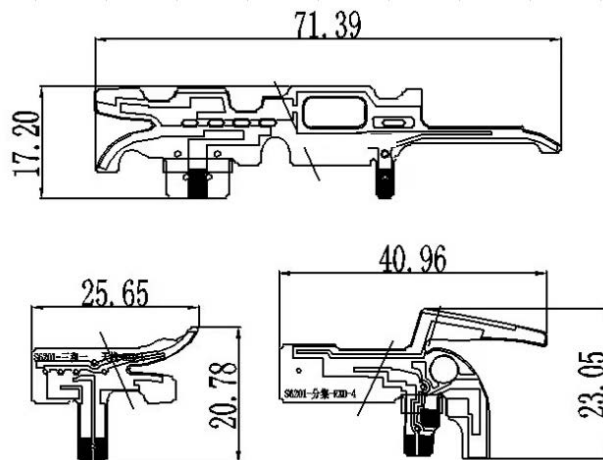
总成图 Mechanical Drawing(unit:mm)



Right battery cover front Left



Bottom



▲ 规格书到此结束END OF THE SPECIFICATION.