

System Check_H750_10dBm

DUT: Dipole 750 MHz

Communication System: CW; Frequency: 750 MHz; Duty Cycle: 1:1

Medium: H750 Medium parameters used: $f = 750 \text{ MHz}$; $\sigma = 0.882 \text{ mho/m}$; $\epsilon_r = 41.6$; $\rho = 1000 \text{ kg/m}^3$

DASY4 Configuration:

- Probe: ES3DV3 - SN3090; ConvF(6.42, 6.42, 6.42); Calibrated: 2023/3/15
- Sensor-Surface: 3mm (Mechanical Surface Detection)
- Electronics: DAE4 Sn662; Calibrated: 2023/3/8
- Phantom: SAM 1; Type: QD 000 P40 CB; Serial: TP/1378
- Postprocessing SW: SEMCAD, V1.8 Build 186

System check/Area Scan (51x71x1): Measurement grid: $dx=15\text{mm}$, $dy=15\text{mm}$

Maximum value of SAR (interpolated) = 0.095 mW/g

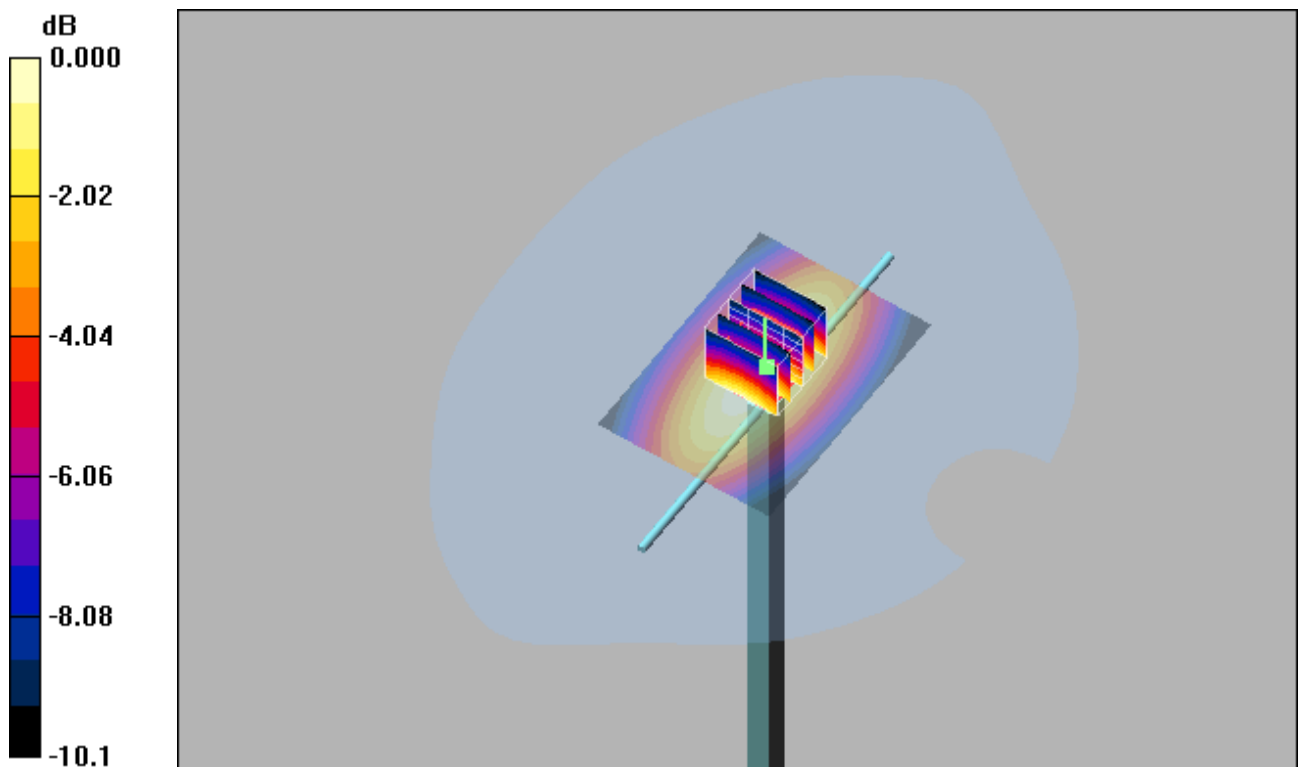
System check/Zoom Scan (5x5x7)/Cube 0: Measurement grid: $dx=8\text{mm}$, $dy=8\text{mm}$, $dz=5\text{mm}$

Reference Value = 10.7 V/m; Power Drift = -0.001 dB

Peak SAR (extrapolated) = 0.122 W/kg

SAR(1 g) = 0.084 mW/g; SAR(10 g) = 0.057 mW/g

Maximum value of SAR (measured) = 0.097 mW/g



0 dB = 0.097mW/g

System Check_H835_10dBm

DUT: Dipole 835 MHz

Communication System: CW; Frequency: 835 MHz; Duty Cycle: 1:1

Medium: H835 Medium parameters used: $f = 835 \text{ MHz}$; $\sigma = 0.925 \text{ mho/m}$; $\epsilon_r = 40.8$; $\rho = 1000 \text{ kg/m}^3$

DASY4 Configuration:

- Probe: ES3DV3 - SN3090; ConvF(6.25, 6.25, 6.25); Calibrated: 2023/3/15
- Sensor-Surface: 3mm (Mechanical Surface Detection)
- Electronics: DAE4 Sn662; Calibrated: 2023/3/8
- Phantom: SAM 1; Type: QD 000 P40 CB; Serial: TP/1378
- Postprocessing SW: SEMCAD, V1.8 Build 186

System check/Area Scan (51x81x1): Measurement grid: $dx=15\text{mm}$, $dy=15\text{mm}$

Maximum value of SAR (interpolated) = 0.112 mW/g

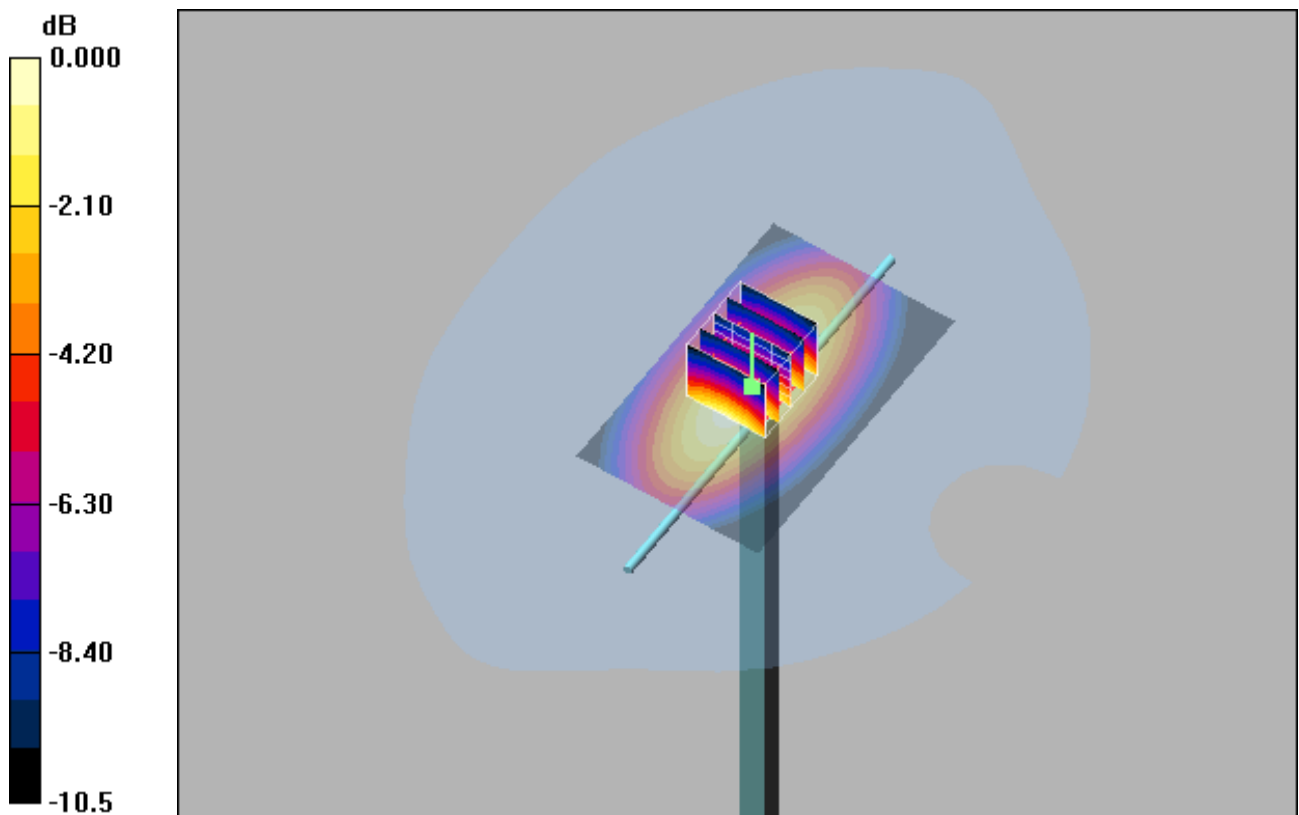
System check/Zoom Scan (5x5x7)/Cube 0: Measurement grid: $dx=8\text{mm}$, $dy=8\text{mm}$, $dz=5\text{mm}$

Reference Value = 11.2 V/m; Power Drift = 0.011 dB

Peak SAR (extrapolated) = 0.142 W/kg

SAR(1 g) = 0.097 mW/g; SAR(10 g) = 0.065 mW/g

Maximum value of SAR (measured) = 0.113 mW/g



0 dB = 0.113mW/g

System Check_H1750_10dBm

DUT: Dipole 1750 MHz

Communication System: CW; Frequency: 1750 MHz; Duty Cycle: 1:1

Medium: H1750 Medium parameters used: $f = 1750$ MHz; $\sigma = 1.3$ mho/m; $\epsilon_r = 41.8$; $\rho = 1000$ kg/m³

DASY4 Configuration:

- Probe: ES3DV3 - SN3090; ConvF(5.37, 5.37, 5.37); Calibrated: 2023/3/15
- Sensor-Surface: 3mm (Mechanical Surface Detection)
- Electronics: DAE4 Sn662; Calibrated: 2023/3/8
- Phantom: SAM 1; Type: QD 000 P40 CB; Serial: TP/1378
- Postprocessing SW: SEMCAD, V1.8 Build 186

System check/Area Scan (51x61x1): Measurement grid: dx=15mm, dy=15mm

Maximum value of SAR (interpolated) = 0.459 mW/g

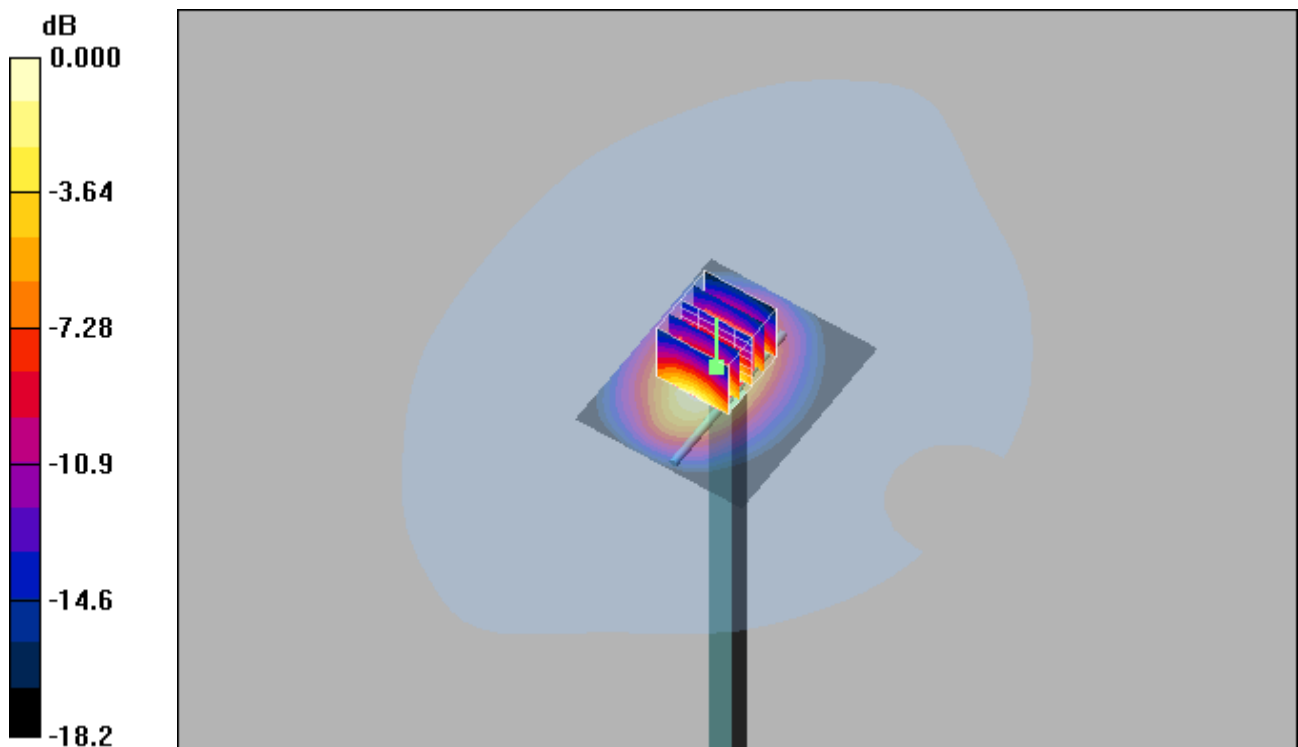
System check/Zoom Scan (5x5x7)/Cube 0: Measurement grid: dx=8mm, dy=8mm, dz=5mm

Reference Value = 18.1 V/m; Power Drift = 0.081 dB

Peak SAR (extrapolated) = 0.629 W/kg

SAR(1 g) = 0.358 mW/g; SAR(10 g) = 0.196 mW/g

Maximum value of SAR (measured) = 0.441 mW/g



0 dB = 0.441mW/g

System Check_H1900_10dBm

DUT: Dipole 1900 MHz

Communication System: CW; Frequency: 1900 MHz; Duty Cycle: 1:1

Medium: H1900 Medium parameters used: $f = 1900$ MHz; $\sigma = 1.45$ mho/m; $\epsilon_r = 41.2$; $\rho = 1000$ kg/m³

DASY4 Configuration:

- Probe: ES3DV3 - SN3090; ConvF(5.11, 5.11, 5.11); Calibrated: 2023/3/15
- Sensor-Surface: 3mm (Mechanical Surface Detection)
- Electronics: DAE4 Sn662; Calibrated: 2023/3/8
- Phantom: SAM 1; Type: QD 000 P40 CB; Serial: TP/1378
- Postprocessing SW: SEMCAD, V1.8 Build 186

System check/Area Scan (51x81x1): Measurement grid: dx=15mm, dy=15mm

Maximum value of SAR (interpolated) = 0.506 mW/g

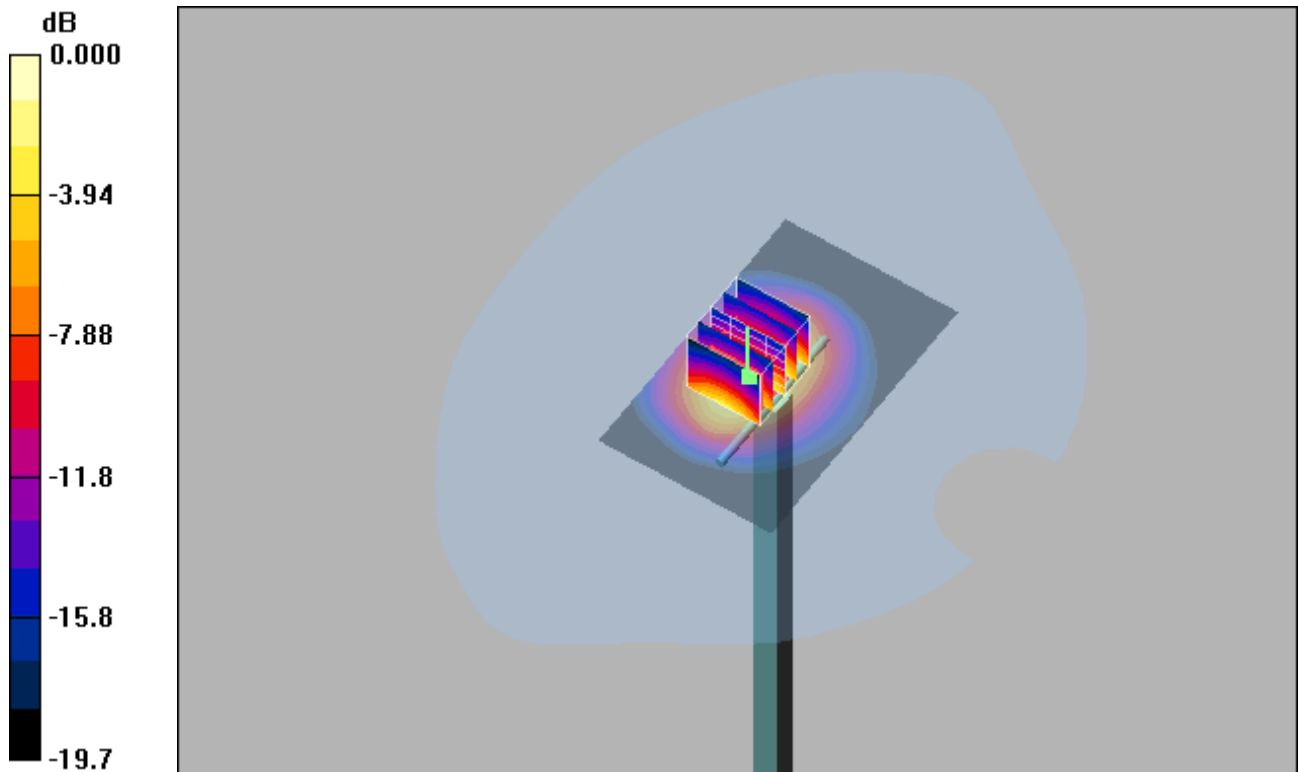
System check/Zoom Scan (5x5x7)/Cube 0: Measurement grid: dx=8mm, dy=8mm, dz=5mm

Reference Value = 17.4 V/m; Power Drift = 0.138 dB

Peak SAR (extrapolated) = 0.727 W/kg

SAR(1 g) = 0.394 mW/g; SAR(10 g) = 0.206 mW/g

Maximum value of SAR (measured) = 0.495 mW/g



0 dB = 0.495mW/g

System Check_H2450_10dBm

DUT: Dipole 2450 MHz

Communication System: CW; Frequency: 2450 MHz; Duty Cycle: 1:1

Medium: H2450 Medium parameters used: $f = 2450$ MHz; $\sigma = 1.74$ mho/m; $\epsilon_r = 38.5$; $\rho = 1000$ kg/m³

DASY4 Configuration:

- Probe: ES3DV3 - SN3090; ConvF(4.68, 4.68, 4.68); Calibrated: 2023/3/15
- Sensor-Surface: 3mm (Mechanical Surface Detection)
- Electronics: DAE4 Sn662; Calibrated: 2023/3/8
- Phantom: SAM 1; Type: QD 000 P40 CB; Serial: TP/1378
- Postprocessing SW: SEMCAD, V1.8 Build 186

System check/Area Scan (61x81x1): Measurement grid: dx=12mm, dy=12mm

Maximum value of SAR (interpolated) = 0.664 mW/g

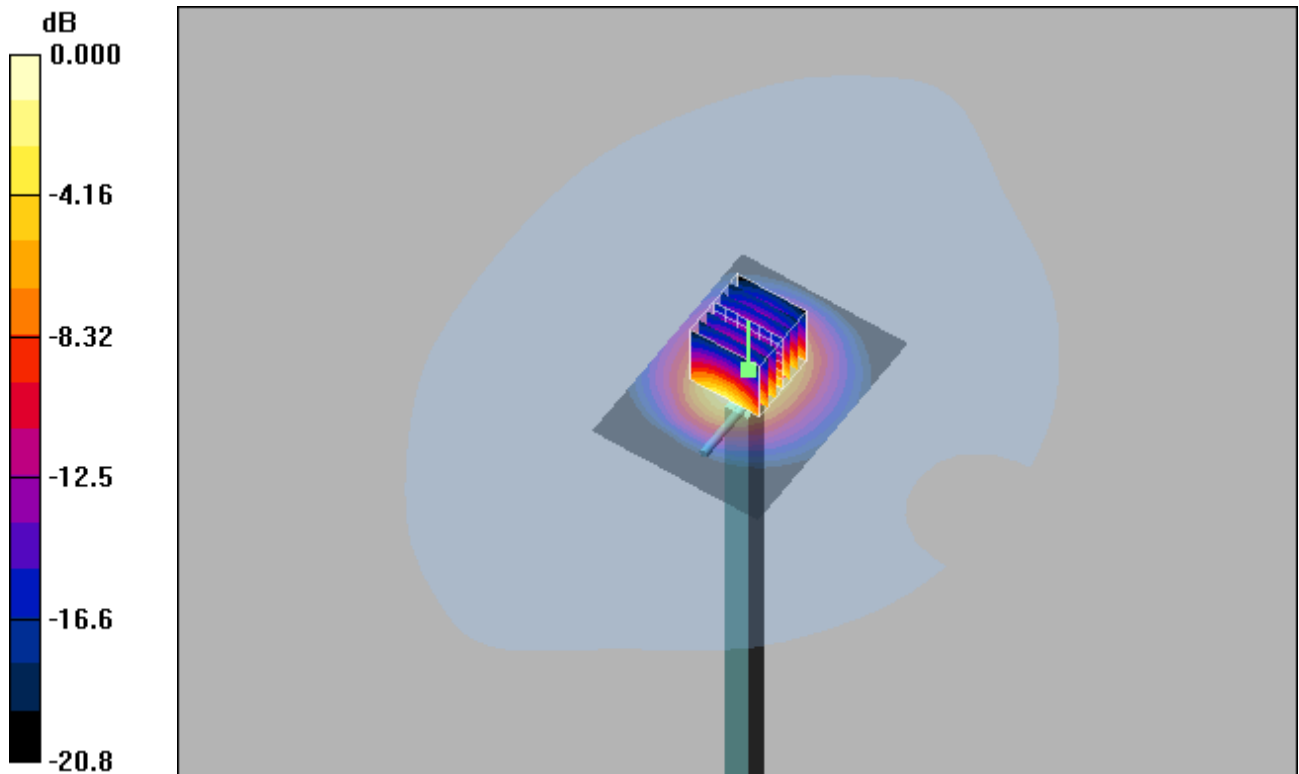
System check/Zoom Scan (7x7x7)/Cube 0: Measurement grid: dx=5mm, dy=5mm, dz=5mm

Reference Value = 19.4 V/m; Power Drift = -0.017 dB

Peak SAR (extrapolated) = 0.957 W/kg

SAR(1 g) = 0.491 mW/g; SAR(10 g) = 0.243 mW/g

Maximum value of SAR (measured) = 0.629 mW/g



0 dB = 0.629mW/g

System Check_H2600_10dBm

DUT: Dipole 2600 MHz

Communication System: CW; Frequency: 2600 MHz; Duty Cycle: 1:1

Medium: H2600 Medium parameters used: $f = 2600$ MHz; $\sigma = 1.92$ mho/m; $\epsilon_r = 38.2$; $\rho = 1000$ kg/m³

DASY4 Configuration:

- Probe: ES3DV3 - SN3090; ConvF(4.53, 4.53, 4.53); Calibrated: 2023/3/15
- Sensor-Surface: 3mm (Mechanical Surface Detection)
- Electronics: DAE4 Sn662; Calibrated: 2023/3/8
- Phantom: SAM 1; Type: QD 000 P40 CB; Serial: TP/1378
- Postprocessing SW: SEMCAD, V1.8 Build 186

System check/Area Scan (61x81x1): Measurement grid: dx=12mm, dy=12mm

Maximum value of SAR (interpolated) = 0.726 mW/g

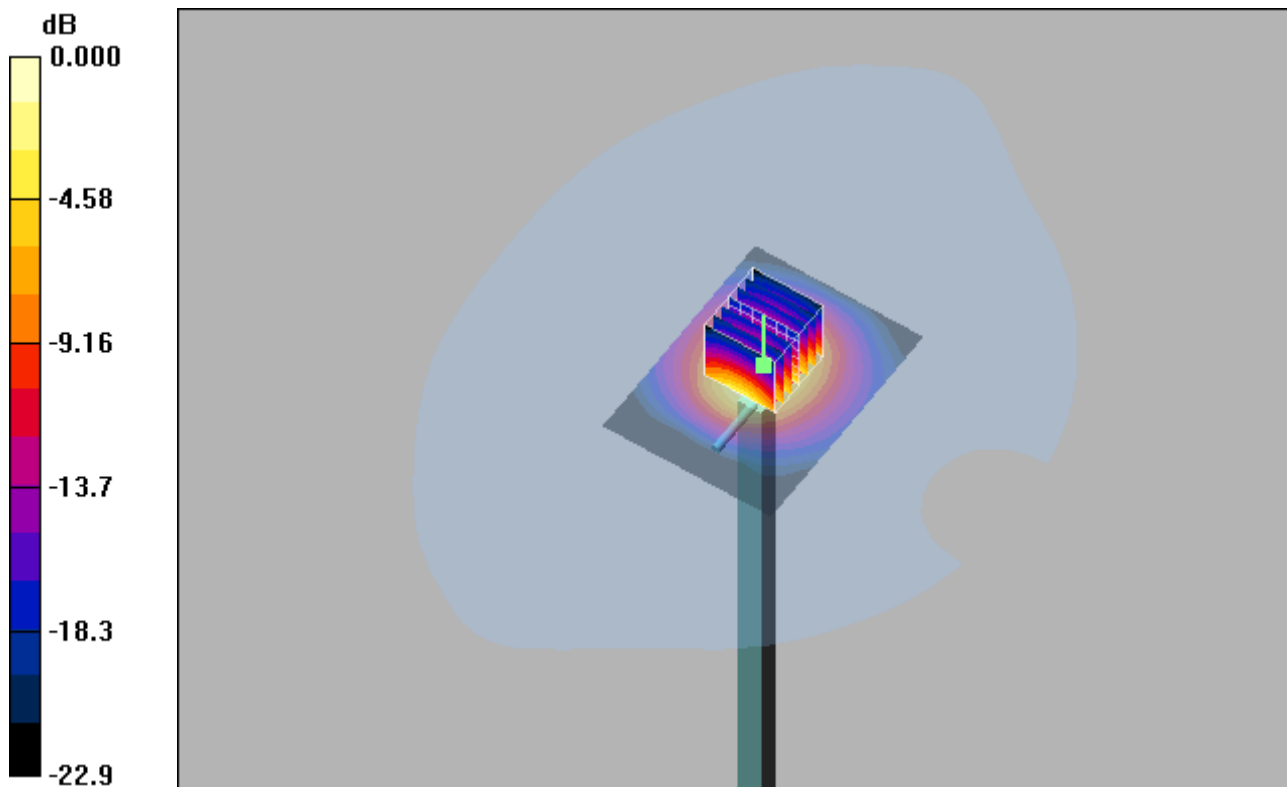
System check/Zoom Scan (7x7x7)/Cube 0: Measurement grid: dx=5mm, dy=5mm, dz=5mm

Reference Value = 19.3 V/m; Power Drift = -0.044 dB

Peak SAR (extrapolated) = 1.09 W/kg

SAR(1 g) = 0.529 mW/g; SAR(10 g) = 0.252 mW/g

Maximum value of SAR (measured) = 0.688 mW/g



0 dB = 0.688mW/g

System Check_H5250_10dBm

DUT: Dipole 5G Hz

Communication System: CW; Frequency: 5250 MHz; Duty Cycle: 1:1

Medium: H5250 Medium parameters used: $f = 5250$ MHz; $\sigma = 4.85$ mho/m; $\epsilon_r = 36.9$; $\rho = 1000$ kg/m³

DASY4 Configuration:

- Probe: EX3DV4 - SN3818; ConvF(5.55, 5.55, 5.55); Calibrated: 2022/8/6
- Sensor-Surface: 2mm (Mechanical Surface Detection)
- Electronics: DAE4 Sn662; Calibrated: 2023/3/8
- Phantom: SAM 1; Type: QD 000 P40 CB; Serial: TP/1378
- Postprocessing SW: SEMCAD, V1.8 Build 186

System check/Area Scan (71x91x1): Measurement grid: dx=10mm, dy=10mm

Maximum value of SAR (interpolated) = 1.61 mW/g

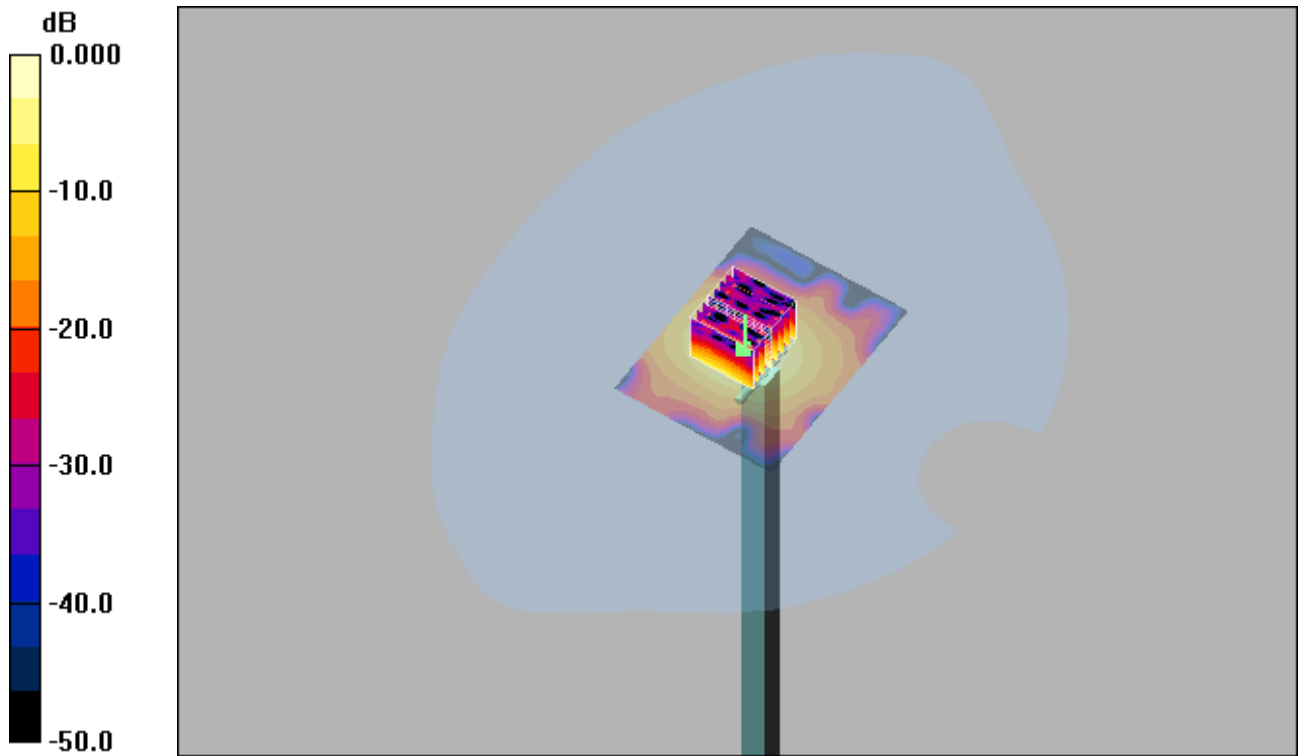
System check/Zoom Scan (8x8x13)/Cube 0: Measurement grid: dx=4mm, dy=4mm, dz=2mm

Reference Value = 13.8 V/m; Power Drift = -0.162 dB

Peak SAR (extrapolated) = 3.15 W/kg

SAR(1 g) = 0.763 mW/g; SAR(10 g) = 0.248 mW/g

Maximum value of SAR (measured) = 1.48 mW/g



0 dB = 1.48mW/g

System Check_H5600_10dBm

DUT: Dipole 5G Hz

Communication System: CW; Frequency: 5600 MHz; Duty Cycle: 1:1

Medium: H5600 Medium parameters used: $f = 5600$ MHz; $\sigma = 5.22$ mho/m; $\epsilon_r = 35.9$; $\rho = 1000$ kg/m³

DASY4 Configuration:

- Probe: EX3DV4 - SN3818; ConvF(4.82, 4.82, 4.82); Calibrated: 2022/8/6
- Sensor-Surface: 2mm (Mechanical Surface Detection)
- Electronics: DAE4 Sn662; Calibrated: 2023/3/8
- Phantom: SAM 1; Type: QD 000 P40 CB; Serial: TP/1378
- Postprocessing SW: SEMCAD, V1.8 Build 186

System check/Area Scan (71x91x1): Measurement grid: dx=10mm, dy=10mm

Maximum value of SAR (interpolated) = 1.57 mW/g

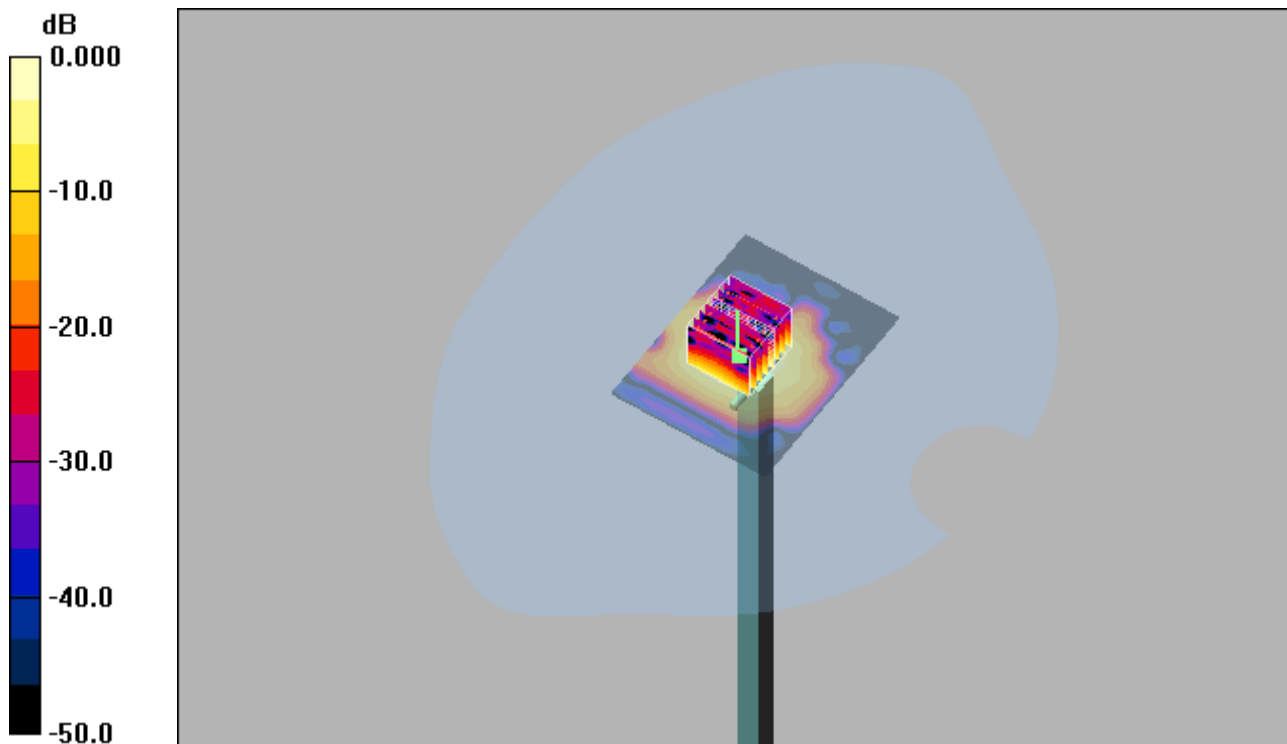
System check/Zoom Scan (8x8x13)/Cube 0: Measurement grid: dx=4mm, dy=4mm, dz=2mm

Reference Value = 13.3 V/m; Power Drift = 0.032 dB

Peak SAR (extrapolated) = 3.54 W/kg

SAR(1 g) = 0.784 mW/g; SAR(10 g) = 0.251 mW/g

Maximum value of SAR (measured) = 1.49 mW/g



0 dB = 1.49mW/g

System Check_H5800_10dBm

DUT: Dipole 5G Hz

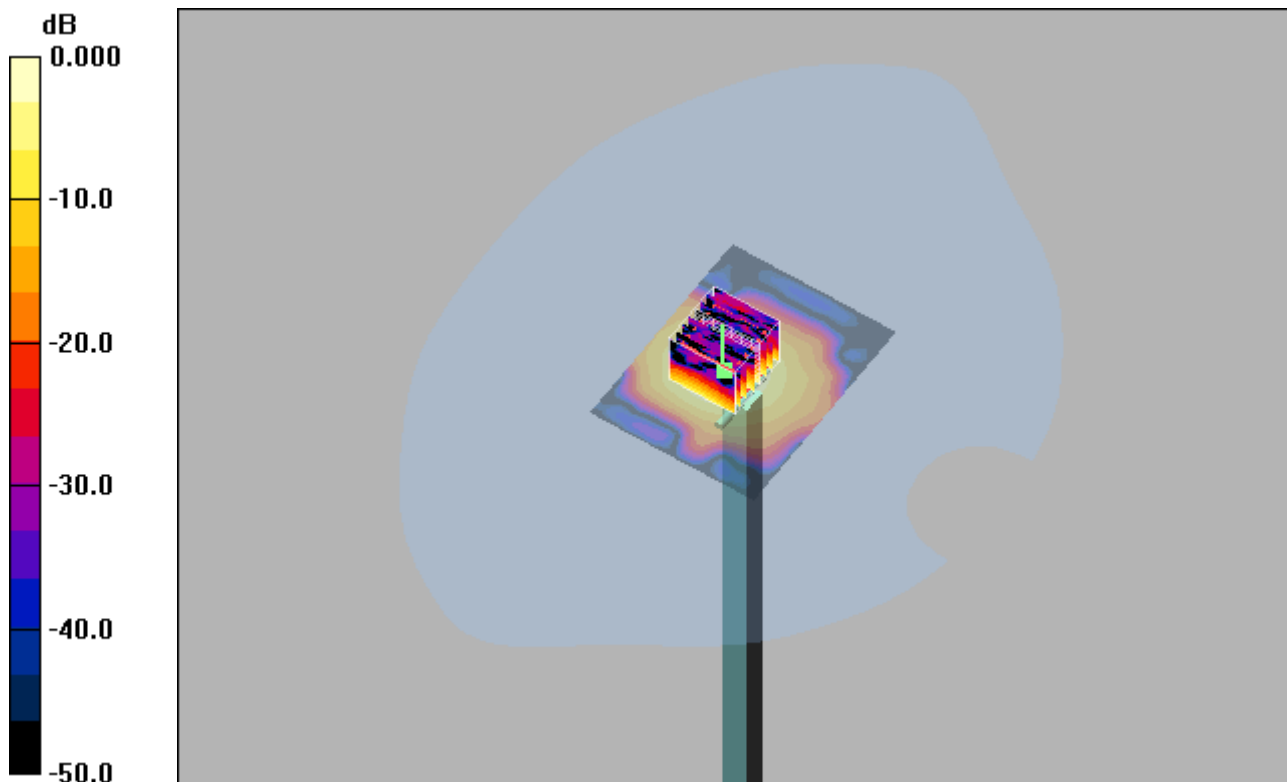
Communication System: CW-New; Frequency: 5800 MHz; Duty Cycle: 1:1
Medium: H5800 Medium parameters used: $f = 5800$ MHz; $\sigma = 5.41$ mho/m; $\epsilon_r = 35.5$; $\rho = 1000$ kg/m³

DASY4 Configuration:

- Probe: EX3DV4 - SN3818; ConvF(4.92, 4.92, 4.92); Calibrated: 2022/8/6
- Sensor-Surface: 2mm (Mechanical Surface Detection)
- Electronics: DAE4 Sn662; Calibrated: 2023/3/8
- Phantom: SAM 1; Type: QD 000 P40 CB; Serial: TP/1378
- Postprocessing SW: SEMCAD, V1.8 Build 186

System check/Area Scan (71x91x1): Measurement grid: dx=10mm, dy=10mm
Maximum value of SAR (interpolated) = 1.61 mW/g

System check/Zoom Scan (8x8x13)/Cube 0: Measurement grid: dx=4mm, dy=4mm, dz=2mm
Reference Value = 12.3 V/m; Power Drift = 0.156 dB
Peak SAR (extrapolated) = 3.73 W/kg
SAR(1 g) = 0.788 mW/g; SAR(10 g) = 0.252 mW/g
Maximum value of SAR (measured) = 1.52 mW/g



0 dB = 1.52mW/g