



# Mobile Antenna SPEC

HEYUAN XUNWEI MICROWAVE  
COMMUNICATION CO.,LTD

RF: Chenchuanming

Date: 2023.12.07

Office address: Zone M, 8/F, Building 1, Baisha Xinxing Industrial Park, No. 3011,  
Shahe West Road, Nanshan District, Shenzhen

# Contents:

Test equipment

Modal information

Matching circuit

Active performance

Test data

# Test equipment

Wireless communications test set: CMW500

Network Analyzer: Agilent 5071B

Anechoic Chamber : SATIMO SG24



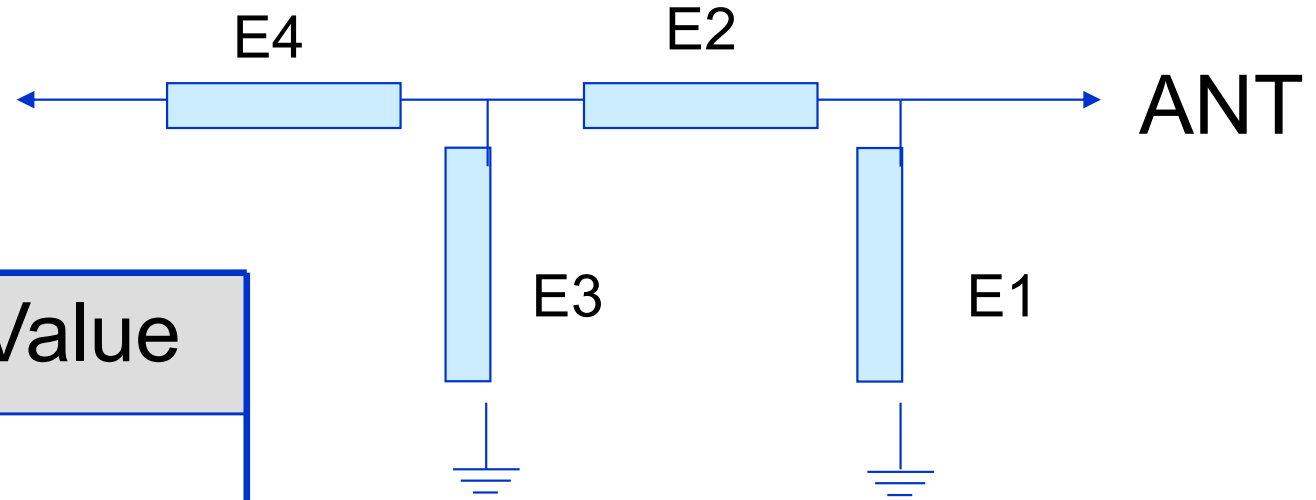
# Antenna information

Customer	Boat of wealth
Antenna model	XW-WS621J-DIV XW-WS621J-GWB XW-WS621J-MAIN
Antenna type	PIFA
Antenna band	GSM900/1800/850/1900 WCDMA-B1/B2/B5 LTE-B2/B3/B4/B5/B7/ B28AB/B38

frequency range (MHz)	703-960	1710-2170	2500-2700
VSWR	<3.0	<3.0	<3.0

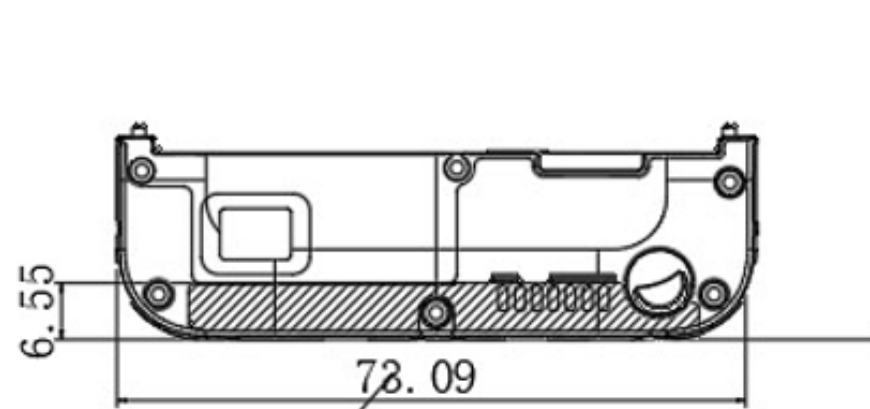
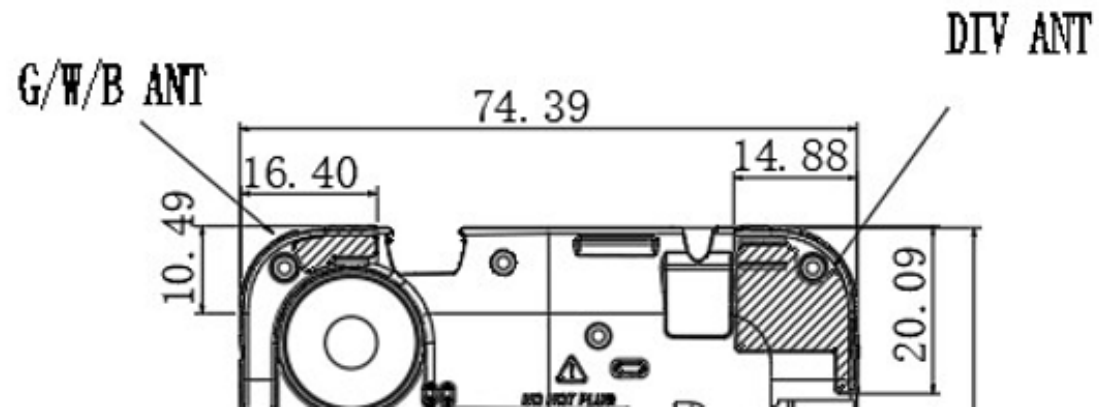
# Matching circuit (No modification)

RF modal



Element	Value
E1	
E2	
E3	
E4	

# TOP



WWAN Main ANT

# LTE Antenna gain

All of Implementation antenna

Main antenna(Antenna Label:A):

LTE B5/B28AB RX&TX

WCDMA B5 RX&TX

GSM B5/B8 RX&TX

DIV antenna(Antenna Label:B):

LTE B2/B3/B4/B7/B38 RX&TX

WCDMA B1/B2 RX&TX

GSM B2/B3 RX&TX

WiFi/BT 2.4~2.5G/2412MHz~2472MHz&

GPS: 1575.42 MHz

## Antenna Max. Peak Gain:

GSM900: -1.80dBi

GSM850: -1.62dBi

DCS1800: -1.18dBi

PCS1900: -1.24dBi

W1: -1.19dBi

W2: -1.24dBi

W5: -1.62dBi

LTE-B2: -1.24dBi

LTE-B3: -1.18dBi

LTE-B4: -1.19dBi

LTE-B5: -1.62dBi

LTE-B7: -1.67dBi

LTE-B28: -1.39dBi

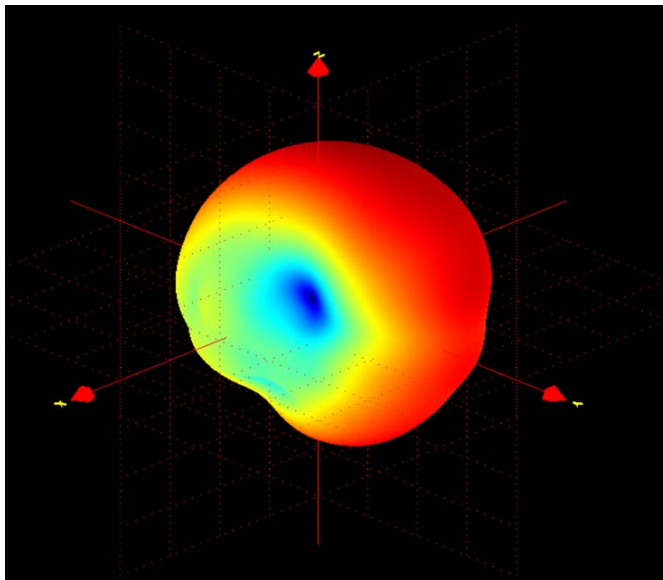
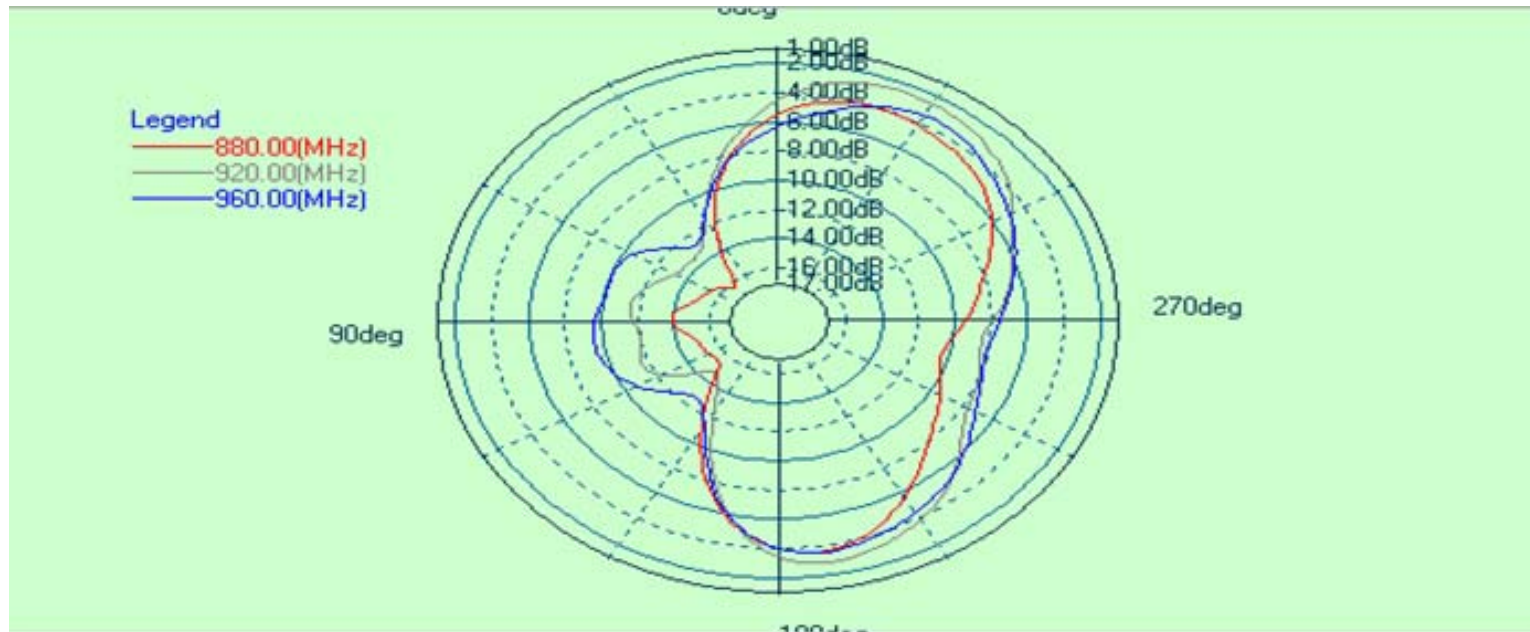
LTE-B38: -1.66dBi

WIFI (2.4G): -1.37dBi

BT: -1.37dBi

GPS: -1.01dBi

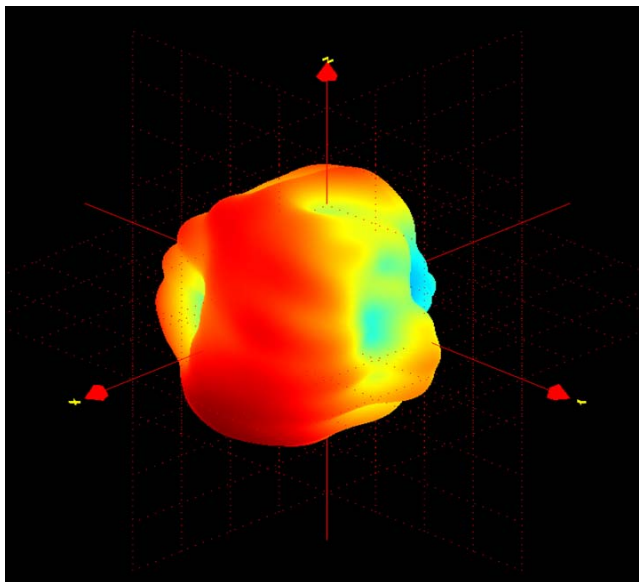
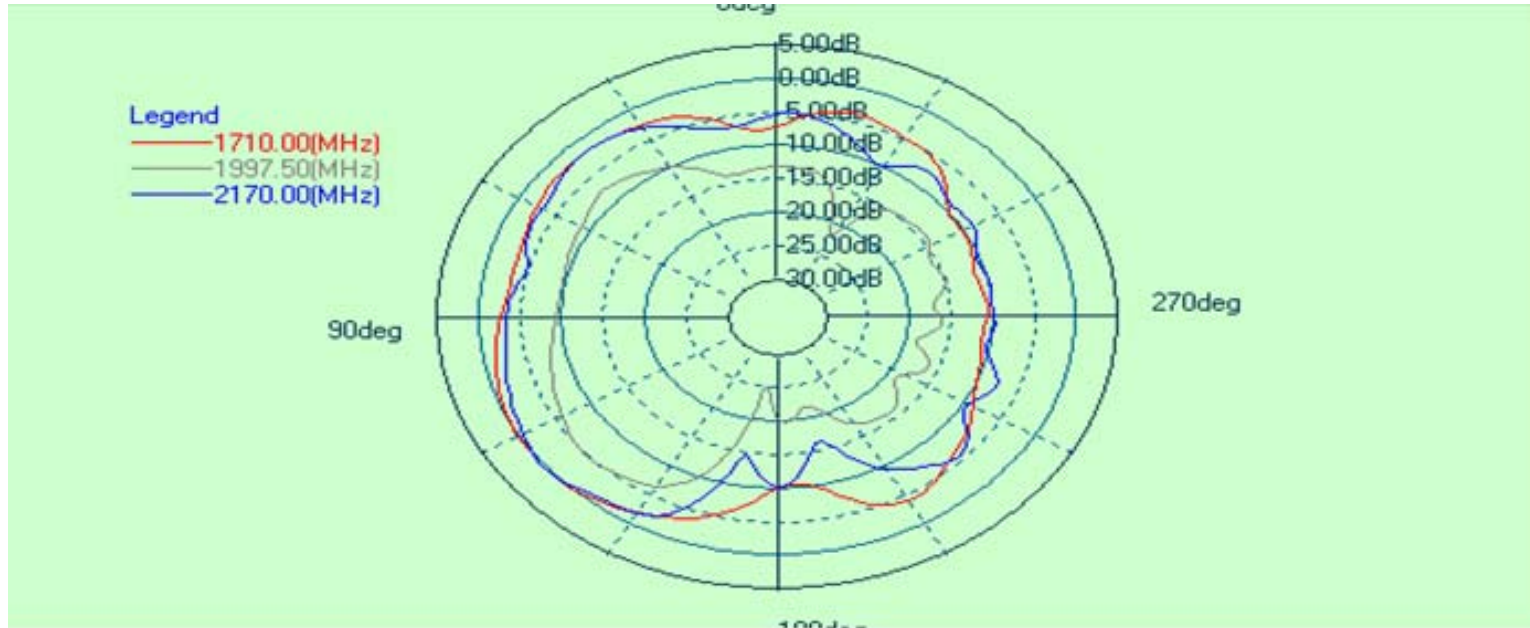
## 2.3 Main antenna Peak Gain(880~960M)



Freq.(MHZ)	Peak .Gain	Effi.(%)
900	-1.80	26

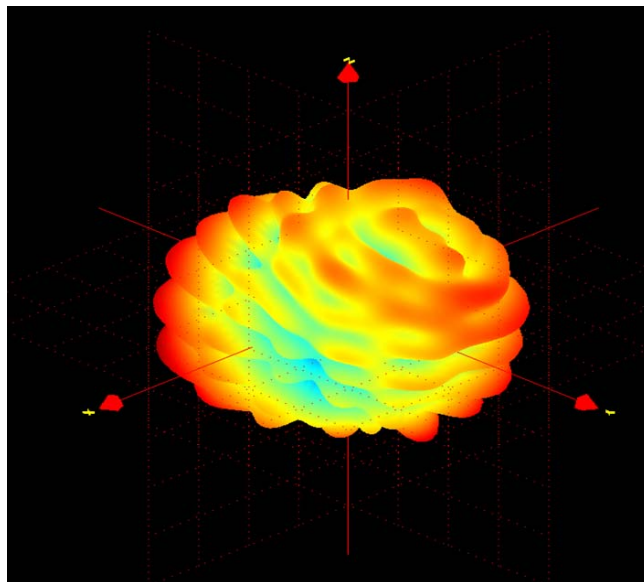
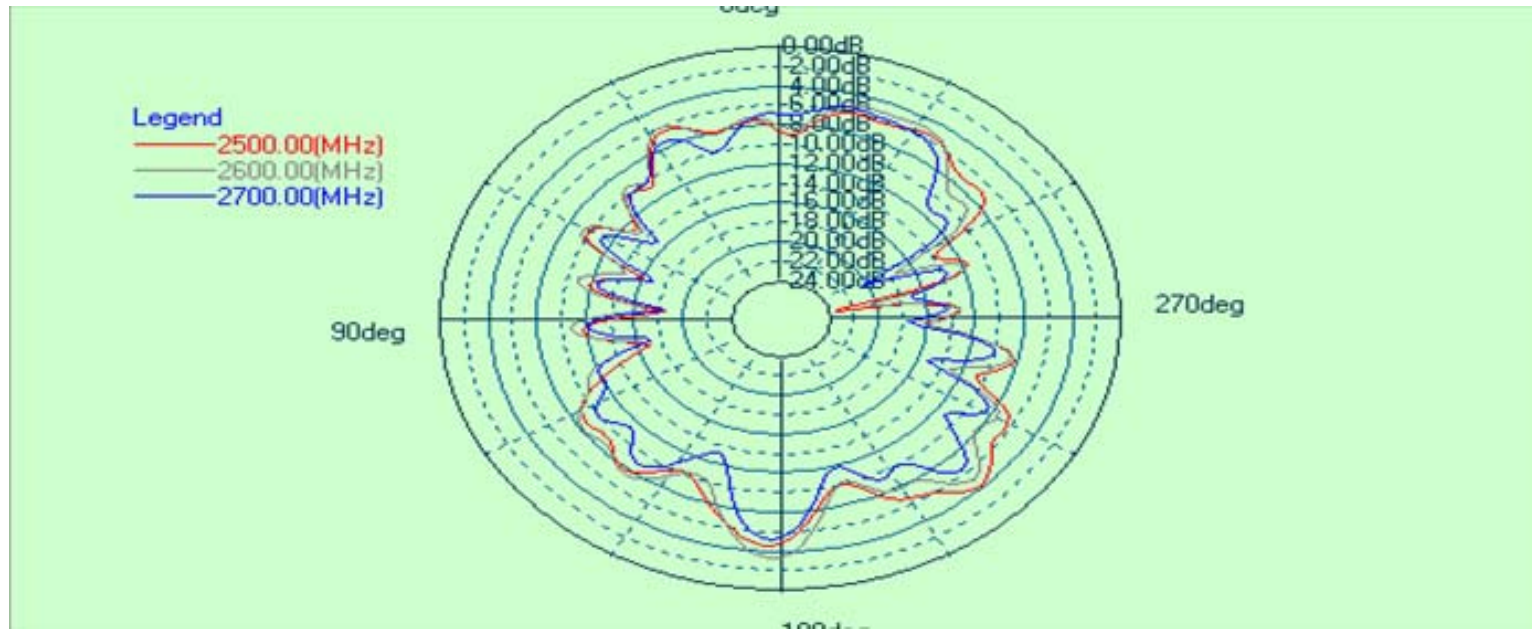


## 2.3 DIV antenna Peak Gain(1710~2170M)



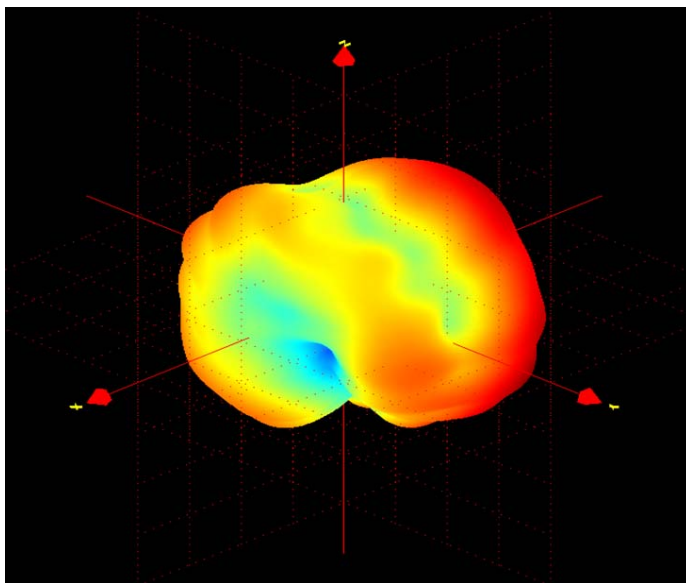
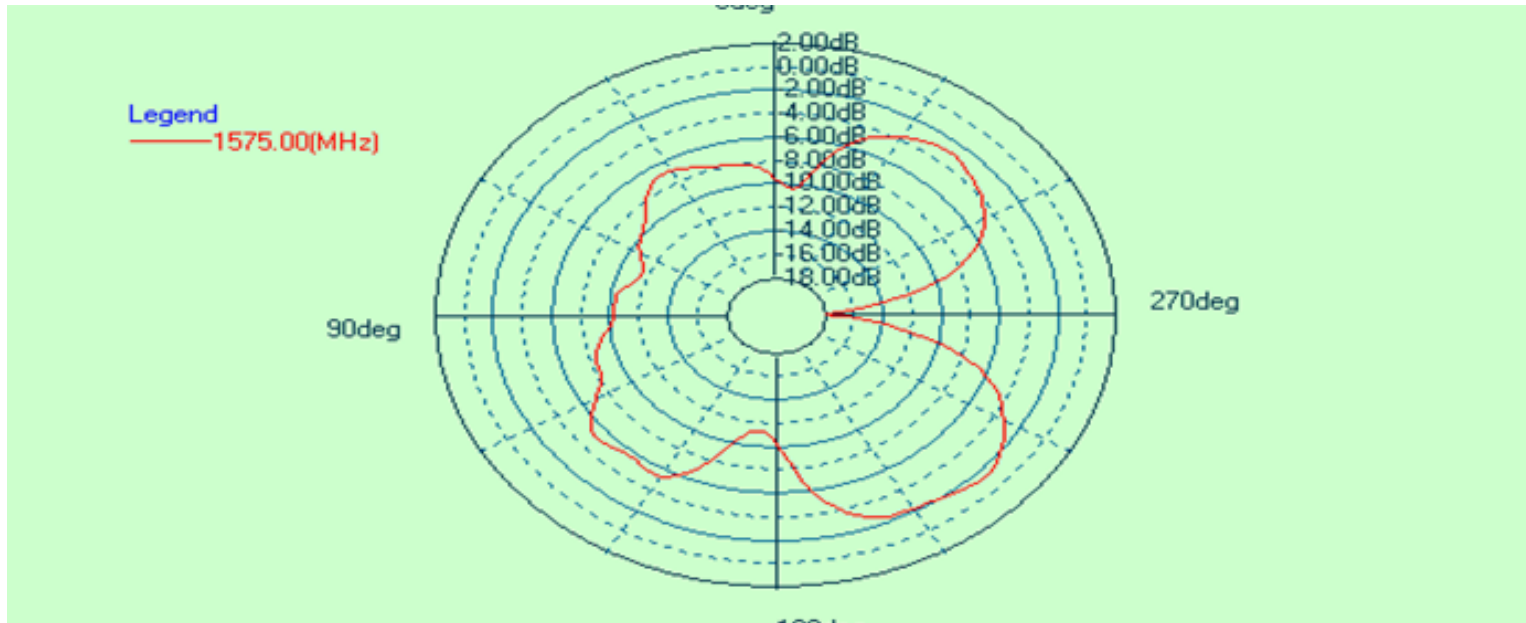
Freq.(MHZ)	Peak .Gain	Effi.(%)
1880	-1.18	35

## 2.3 DIV antenna Peak Gain(2490~2700M)



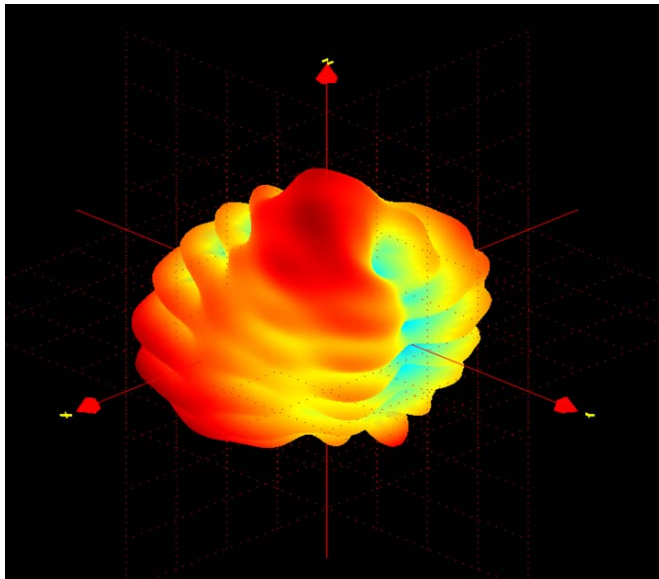
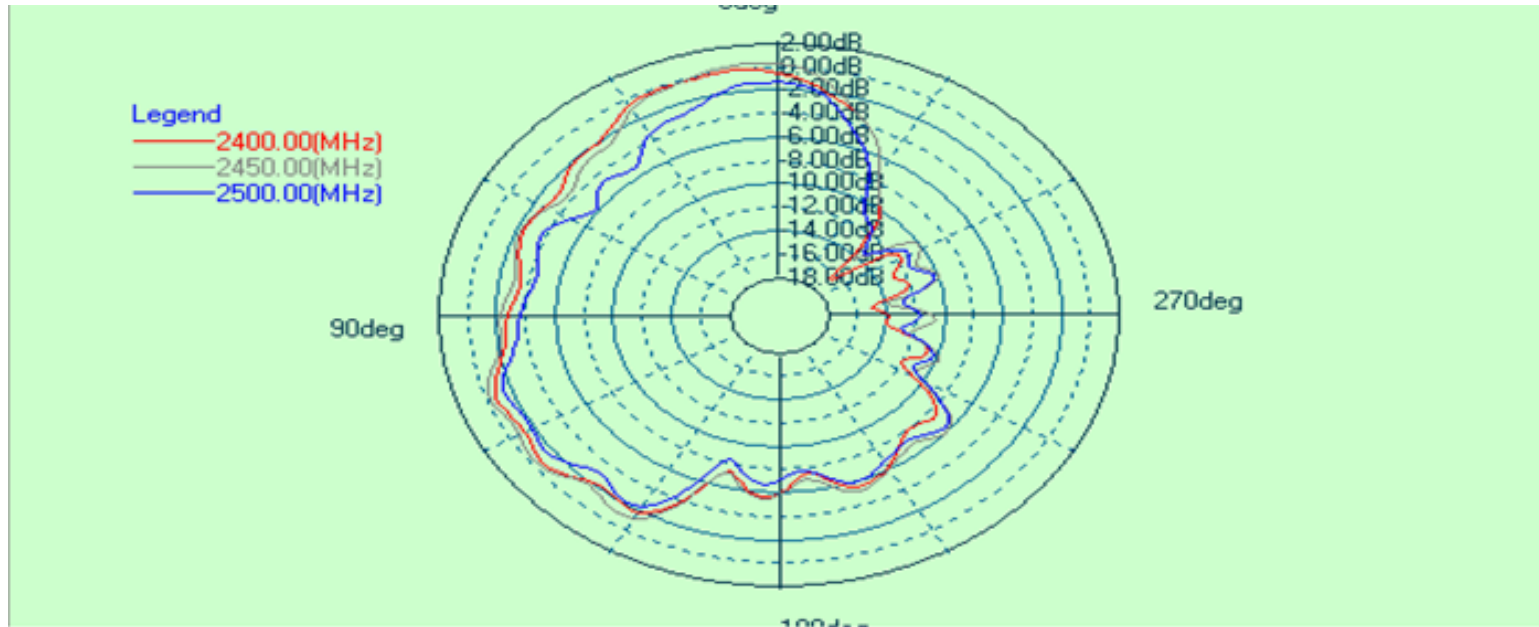
Freq.(MHZ)	Peak .Gain	Effi.(%)
2490	-1.67	25

## 2.3 G/W/B antenna Peak Gain(1575M)



Freq.(MHZ)	Peak .Gain	Effi.(%)
1575	-1.01	36

## 2.3 G/W/B antenna Peak Gain(2400-2500M)



Freq.(MHZ)	Peak .Gain	Effi.(%)
2450	-1.37	34