



# Mobile antenna test report

HEYUAN XUNWEI MICROWAVE  
COMMUNICATION CO.,LTD

RF: Yu Jianyong

Date: 2022.11.11

# Contents:

Test equipment

Modal information

Matching circuit

Active performance

Antenna dimension drawing

test data

# Test equipment

Wireless communications test set: CMW500

Network Analyzer: Agilent 5071B

Anechoic Chamber : SATIMO SG24

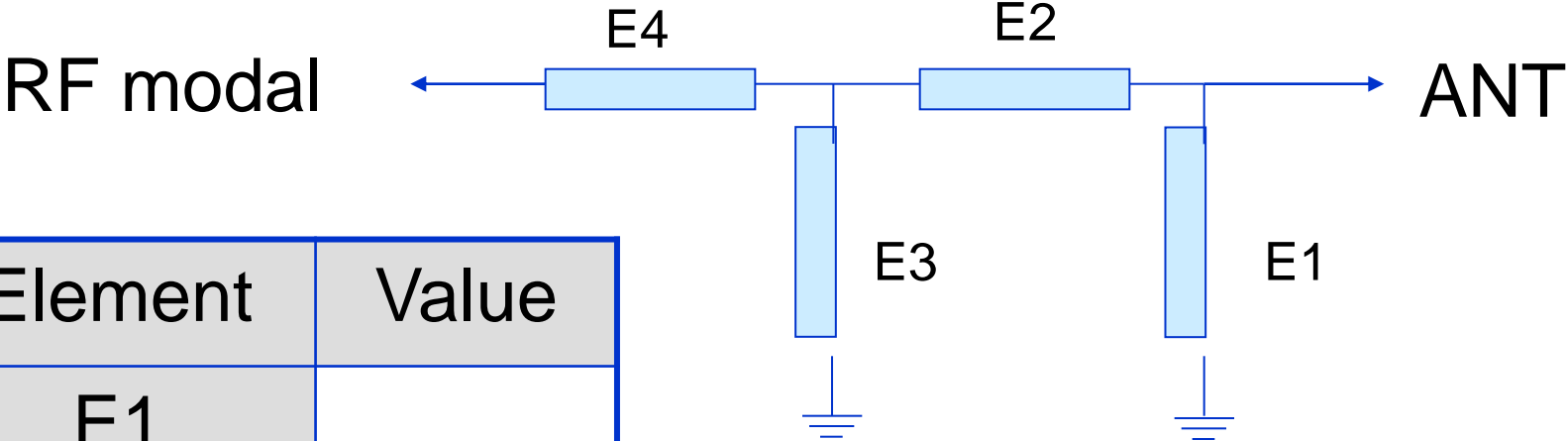


# Antenna information

Customer	Boat of wealth
Antenna model	FPC
Antenna type	Welding thread

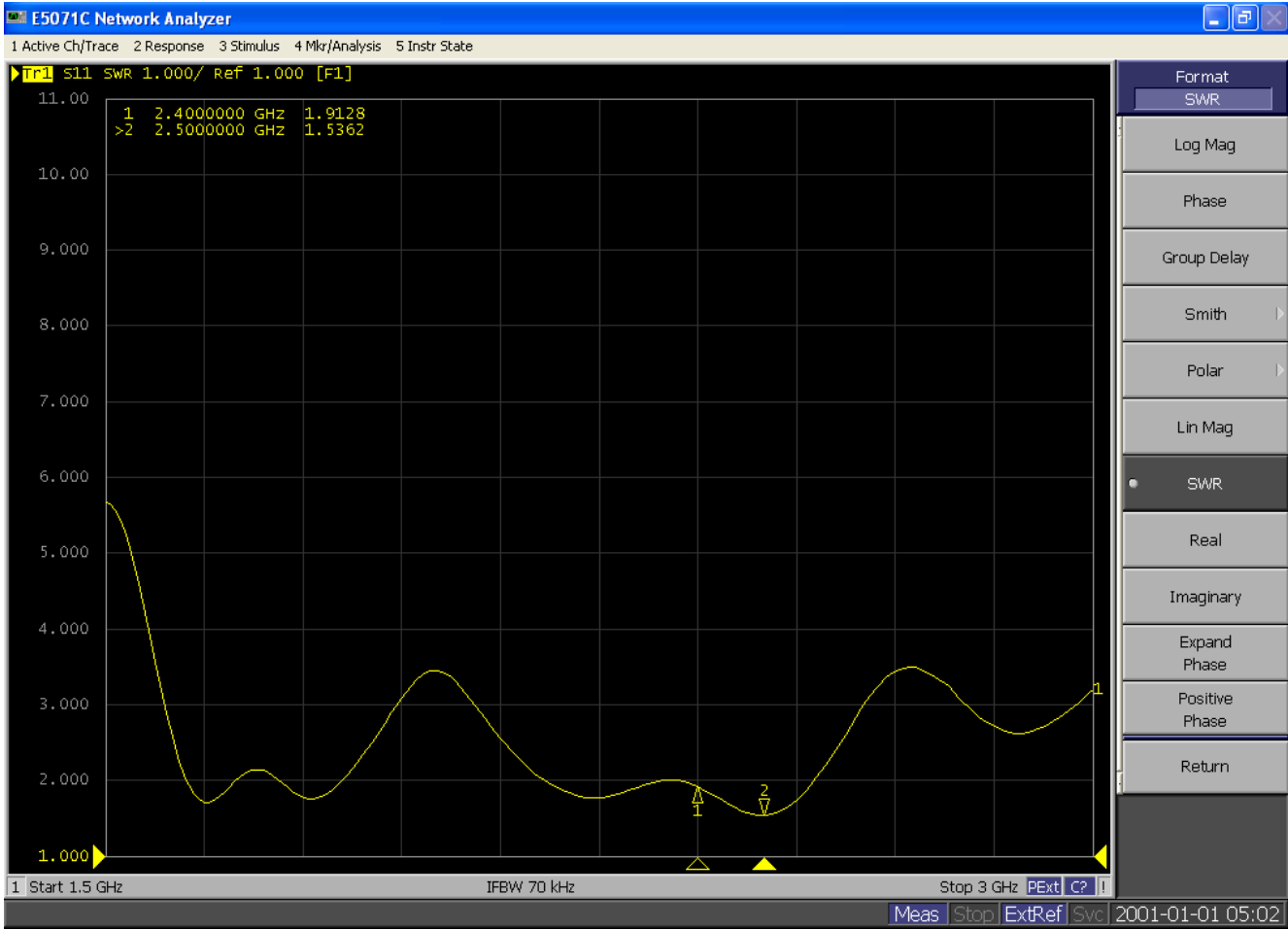
frequency range (MHz)	2400–2500
VSWR	<3.5

# Matching circuit (No modification)



Element	Value
E1	
E2	
E3	
E4	

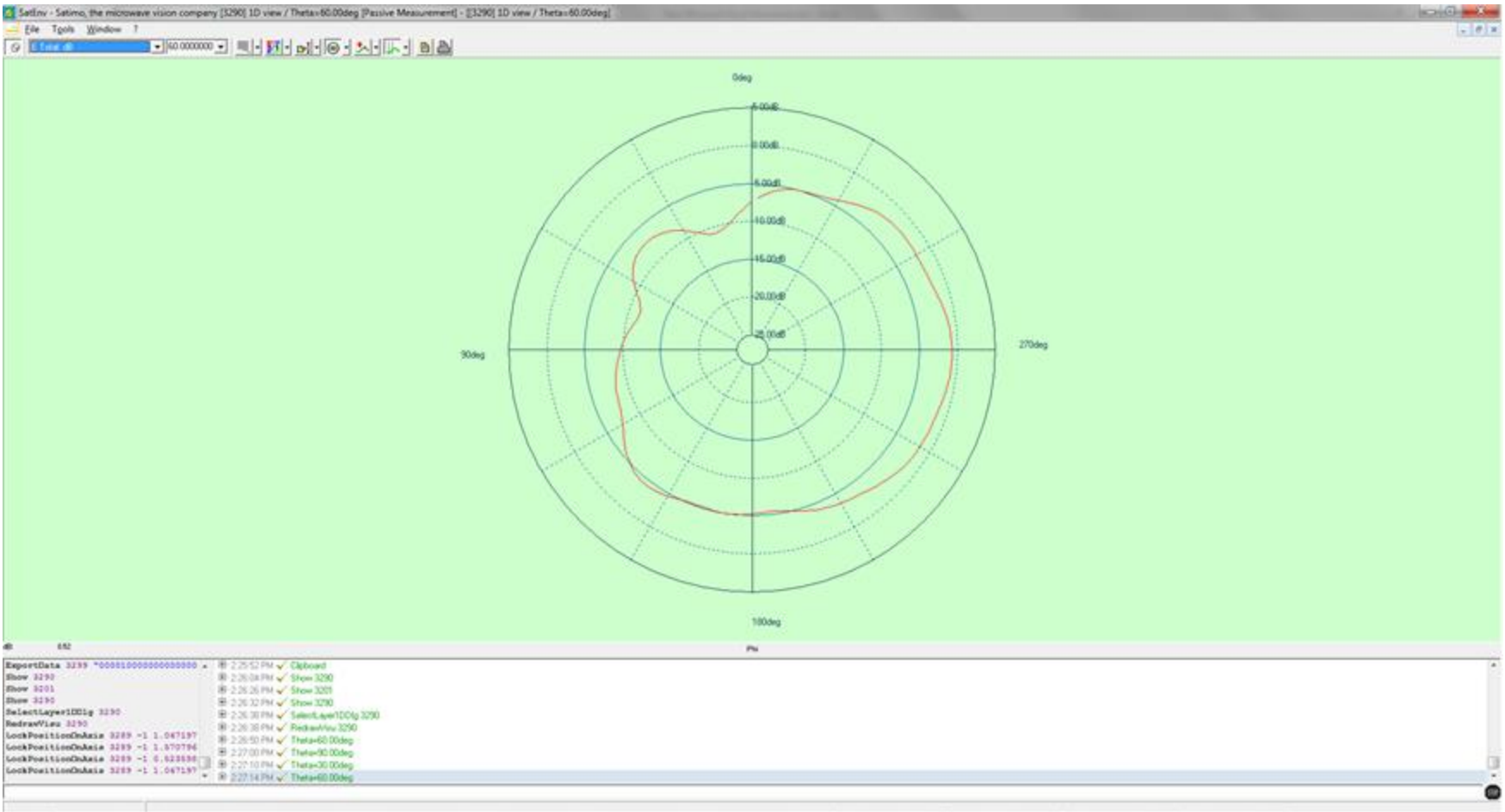
# Antenna standing wave diagram



# WIFI/BT(2.4G) efficiency and gain

WIFI/BT(2.4G)		
Frequency	Efficiency (%)	PEAK GAIN
2400MHZ	42%	-1.3
2410MHZ	42%	-1.3
2420MHZ	42%	-1.3
2430MHZ	41%	-1.4
2440MHZ	41%	-1.4
2450MHZ	42%	-1.3
2460MHZ	41%	-1.4
2470MHZ	39%	-1.4
2480MHZ	40%	-1.4
2490MHZ	41%	-1.4
2500MHZ	40%	-1.4

# WiFi /BT test direction map





# WIFI/BT test direction map

