

Declaration of difference

Company: BLU Products, Inc.

Address: 8600 NW 36th Street, Suite #300 | Miami, FL 33166

Product Name: Smart Phone

Model Number: C9

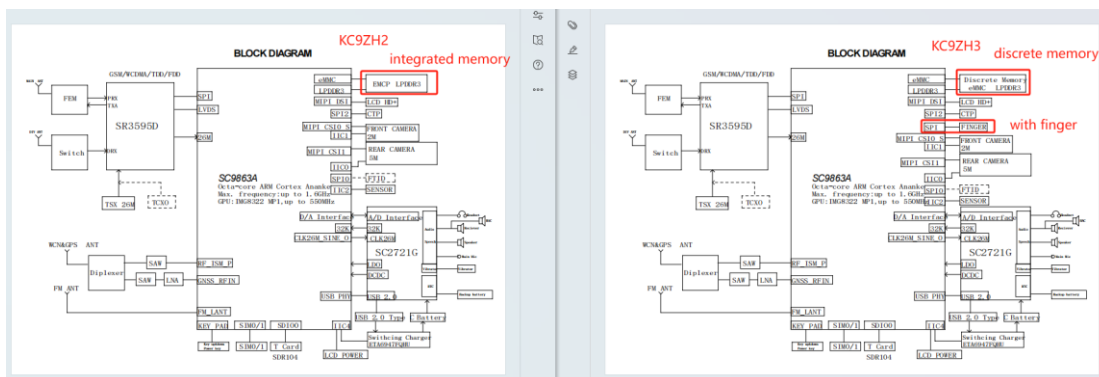
FCC Identifier: YHLBLUC9C

This smart phone comes in two different configuration differences

Production code	Fingerprint unlock	Memory
KC9ZH2	Not support	2+32G
KC9ZH3	support	2+64G

Differential illustration between KC9ZH2 machine and KC9ZH3 machine

- 1、 The KC9ZH2 machine is integrated memory. The placement of main board is U1300. The KC9ZH3 machine is discrete memory. The placements of main board are U1300 and U1370.
- 2、 The KC9ZH2 machine without fingerprint. The KC9ZH3 machine with fingerprint. Except for the above differences, the circuit and the electronic construction do not other change.



Name: Wei Zeng

Date: April 16, 2024

Title: Senior Manager

Signature of applicant: