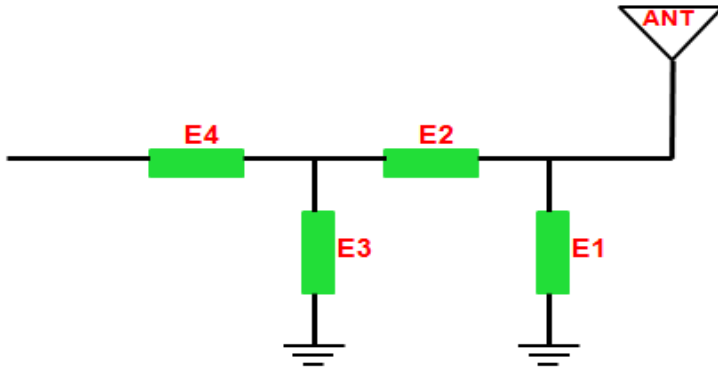


# Mobile antenna test report



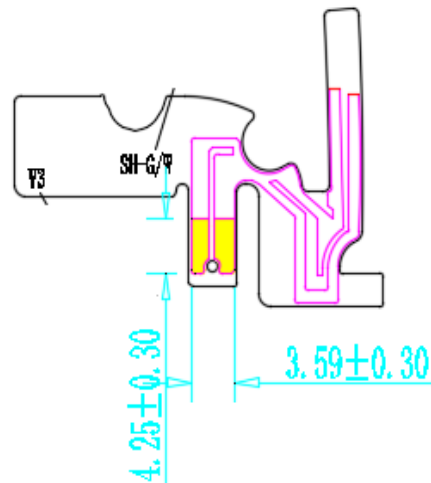
## Matching circuits (Matching circuit)



Main Antenna		Aux Antenna	
Element	Value	Element	Value
E1(0402)		E1(0402)	
E2(0402)		E2(0402)	
E3(0402)		E3(0402)	
E4(0402)			
Aantenna model	FPC		
Aantenna type	PIFA		

Freq (MHz)	2400~2500
VSWR	<2

## Aantenna dimension drawing

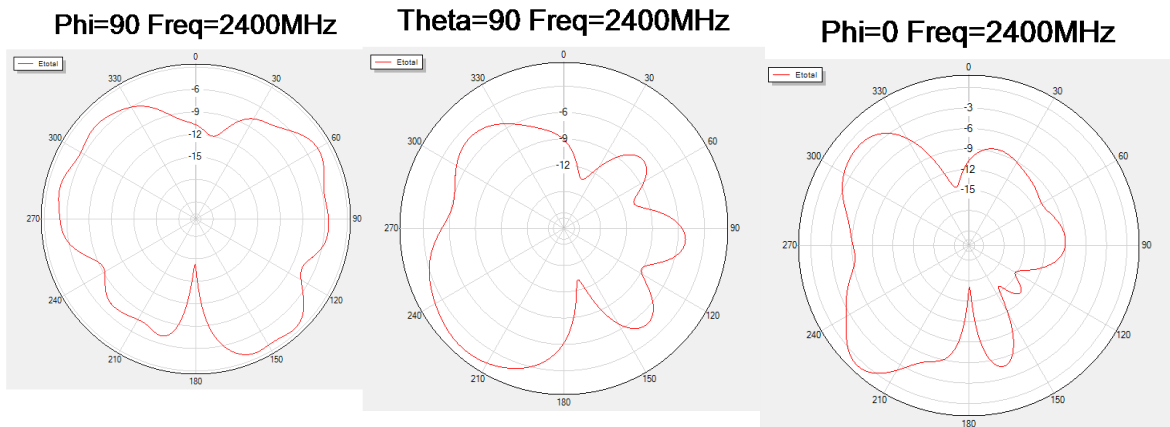


## WIFI/BT (2.4G) Efficiency&Gain

Freq (MHz)	Efficiency (%)	Gain (dBi)
2400	32.15	1.02
2410	29.45	1.25
2420	29.96	1.21
2430	31.14	1.12
2440	31.95	1.29
2450	30.26	1.15
2460	32.05	0.93
2470	33.64	1.23
2480	29.47	1.17
2490	34.91	1.3
2500	27.4	0.51

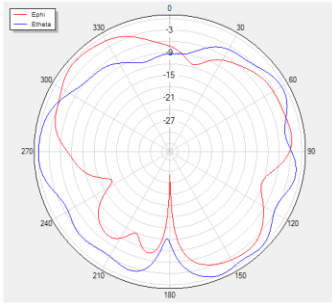
## WIFI/BT 2.4G (2D pattern) :

EtotatGraphs

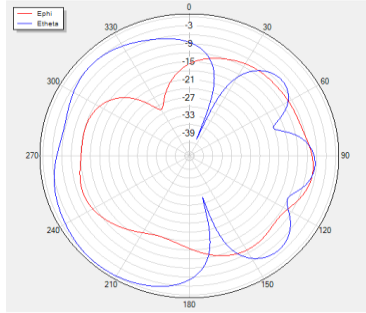


PolarGraphs

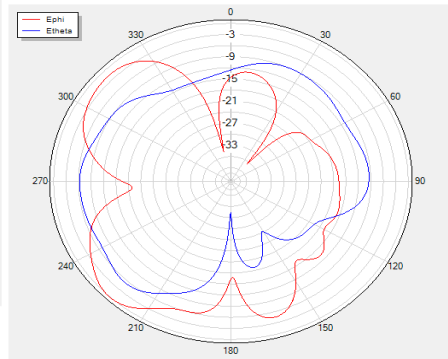
Phi=90 freq=2400MHz



Theta=90 freq=2400MHz



Phi=0 freq=2400MHz



WIFI/BT 2.4G (3D pattern) :

2400MHz

