

# BLU Products, Inc.

## FCC Class II Permissive Change Request Letter

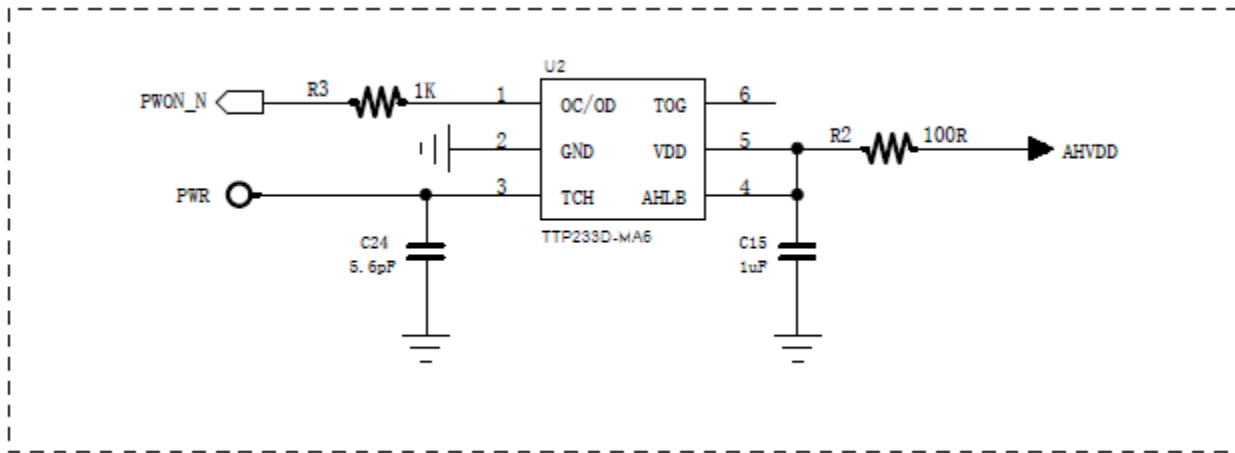
Date: 2021-11-29

To FCC:

RE: FCC Permissive II Change Request for Company: BLU Products, Inc.  
FCC ID: YHLBLUARIAPD

We are submitting an application for a class II permissive change to the FCC approval of the Company name: BLU Products, Inc., product description: True Wireless Stereo (FCC: YHLBLUARIAPD, Original Grant Date: 05/07/2021). The transmitter module itself has not changed. Here are the changes:

Only the touch chip of the device is different.



Sincerely,  
Applicant company: BLU Products, Inc.  
Address: 10814 NW 33rd St # 100 Doral, FL 33172, USA  
Applicant Name /Title: Zeng wei/Manager

Applicant Signature : 