

河源市迅维通讯技术有限公司

Heyuan Xunwei Communication Technology Co., Ltd
SPECIFICATION FOR APPROVAL

supplier: _____Heyuan Xunwei Communication Technology Co., Ltd_____

Supplierspecifications: BT antenna

Supplier model: XW-CF313-BT

Customer Name : ShenzhenWaterwordATINFORMATION

Customer Item No : CF313A

Version No : antenna V1.0

Sample delivery date : 2023/12/06

Antenna Type: FPC Antenna

Ackno wledg ment column	supplier	RF Engineer	to examine	approval	file
		kang	liwenbo	song	chenting
	customer	Certified Engineer	to examine	approval	file

Address:

M area, 8th floor, Building 1, Baisha Emerging Industrial Park, No. 3011 S
hahe West Road, Nanshan District, Shenzhen

Heyuan Xunwei Communication Technology Co., Ltd

1. Test instrument and environment: STM darkroom, CMW500 / E5071B, the mobile phone is placed back to the turntable 4 meters away from the standard horn antenna:

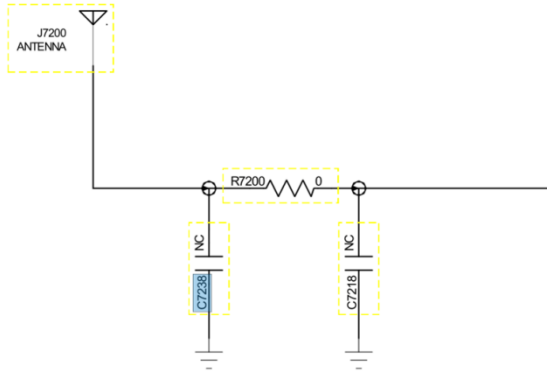


2. Antenna performance:

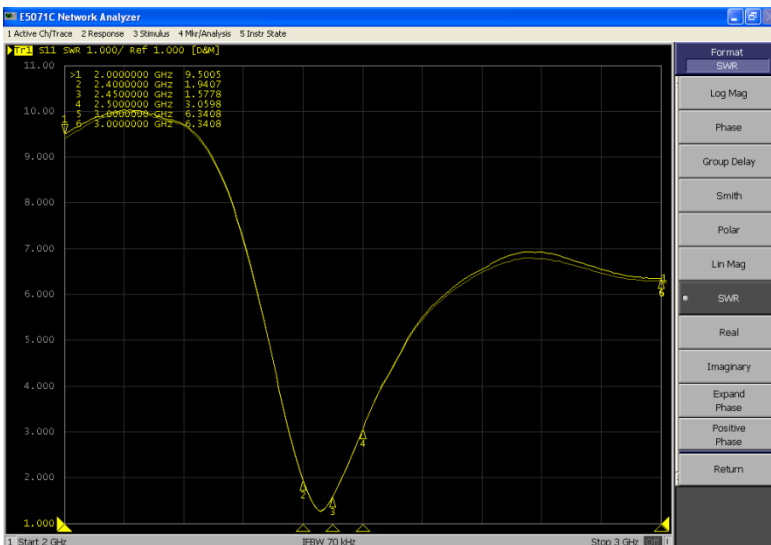
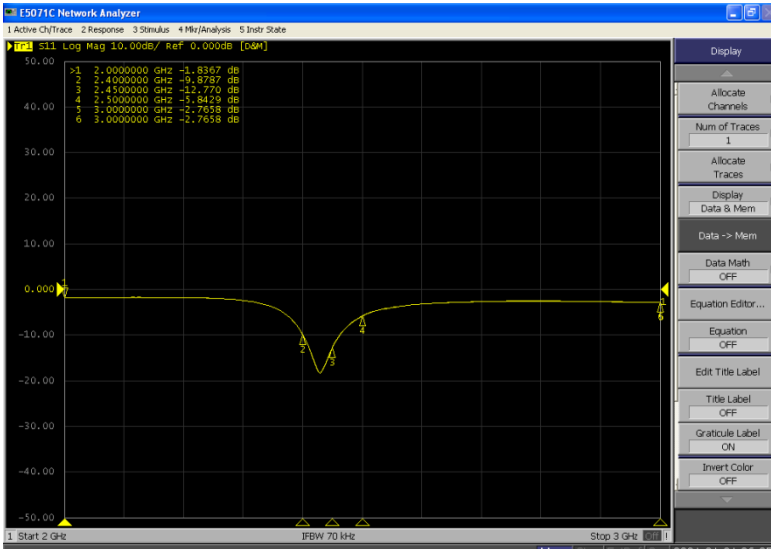
序号	Work index	Working parameters
1	working frequency	2400-2500MHZ
2	Standing wave ratio	≤ 3.0
3	Return loss	-1.8dB Max
4	Antenna gain	Peak gain 2400MHZ-2500MHZ:-0.88 dBi
5	Antenna efficiency	27~33%
6	Polarization direction	Vertical / horizontal
7	Interface type	welding
8	Antenna size	BT antenna:20.97*18.46*0.1MM

Heyuan Xunwei Communication Technology Co., Ltd

3. building-out circuit:
BT天线匹配



4. Antenna passive data S11, ReturnLoss, Smith :



Heyuan Xunwei Communication Technology Co., Ltd

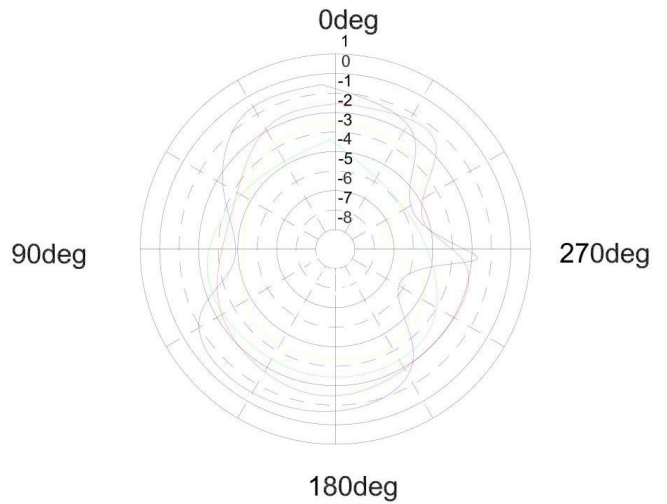
5. Gain of efficiency:

Freq. MHZ	Gain	Efficiency_Pcent. %
2400	-1.05	28.2%
2410	-0.97	27.9%
2420	-0.94	28.1%
2430	-0.98	28.6%
2440	-0.92	29.4%
2450	-0.88	33.8%
2460	-0.91	32.2%
2470	-0.96	30.8%
2480	-1.07	29.7%
2490	-1.13	29.1%
2500	-1.40	27.7%

Peak gain:-0.88 dBi

Heyuan Xunwei Communication Technology Co., Ltd

6.antenna orientation diagram: (dB)

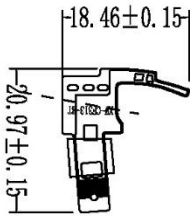


Heyuan Xunwei Communication Technology Co., Ltd

7.Antenna drawing:

河源市迅维通讯技术有限公司

- PPC appearance standard(PPC外观标准):
- 1.表面平整、光滑、无污渍、损伤、撕裂、气泡、划痕、孔洞、分层和粘合材料；
The surface is flat, smooth, free from stains, damages, tears, fractures, bubbles, scratches, holes, delaminations, and adhesive materials;
 2. PPC接头处不得有破损、缺失、变形、脱落、划伤等现象；
There should be no breakage, missing, deformation, detachment, or scratch at the joint of PPC;
 3. PPC的连接处没有开口边缘、裂缝或胶缝痕迹；
There are no open edges, fractures, or joint marks at the junction of PPC;
 - 4.镀金厚度为0.50
The gold plating thickness is 0.50



第三级公差 T3公差带		河源市迅维通讯技术有限公司	
尺寸	公差	项目名称	日期
0~5	±0.05	CF313A-BT	2023.12.26
5~30	±0.08	产品名称	审核
30~50	±0.10	天线	11
50~80	±0.12	塑胶	WANG
80~	±1°	3M9471	批准/日期
角度	±1°	半对半	比例
		Material	PTT
		Units	Version
			R.B