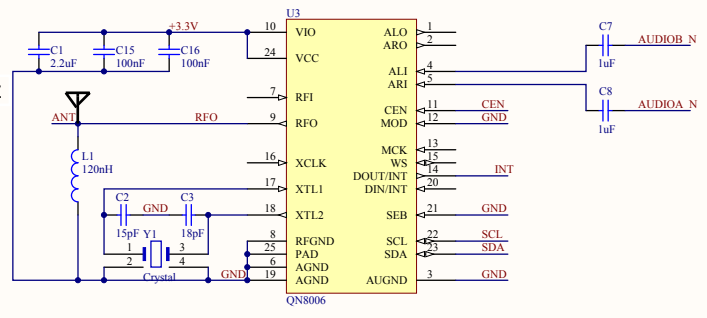
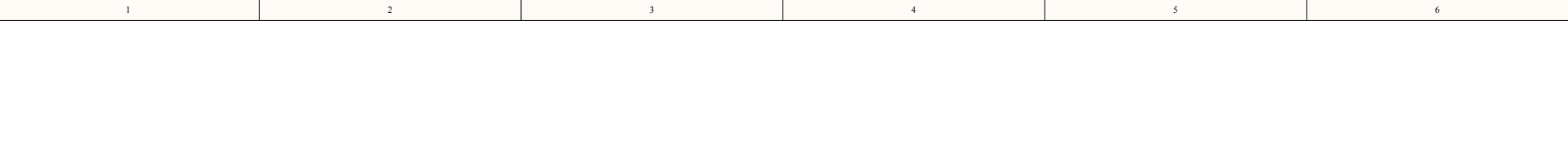
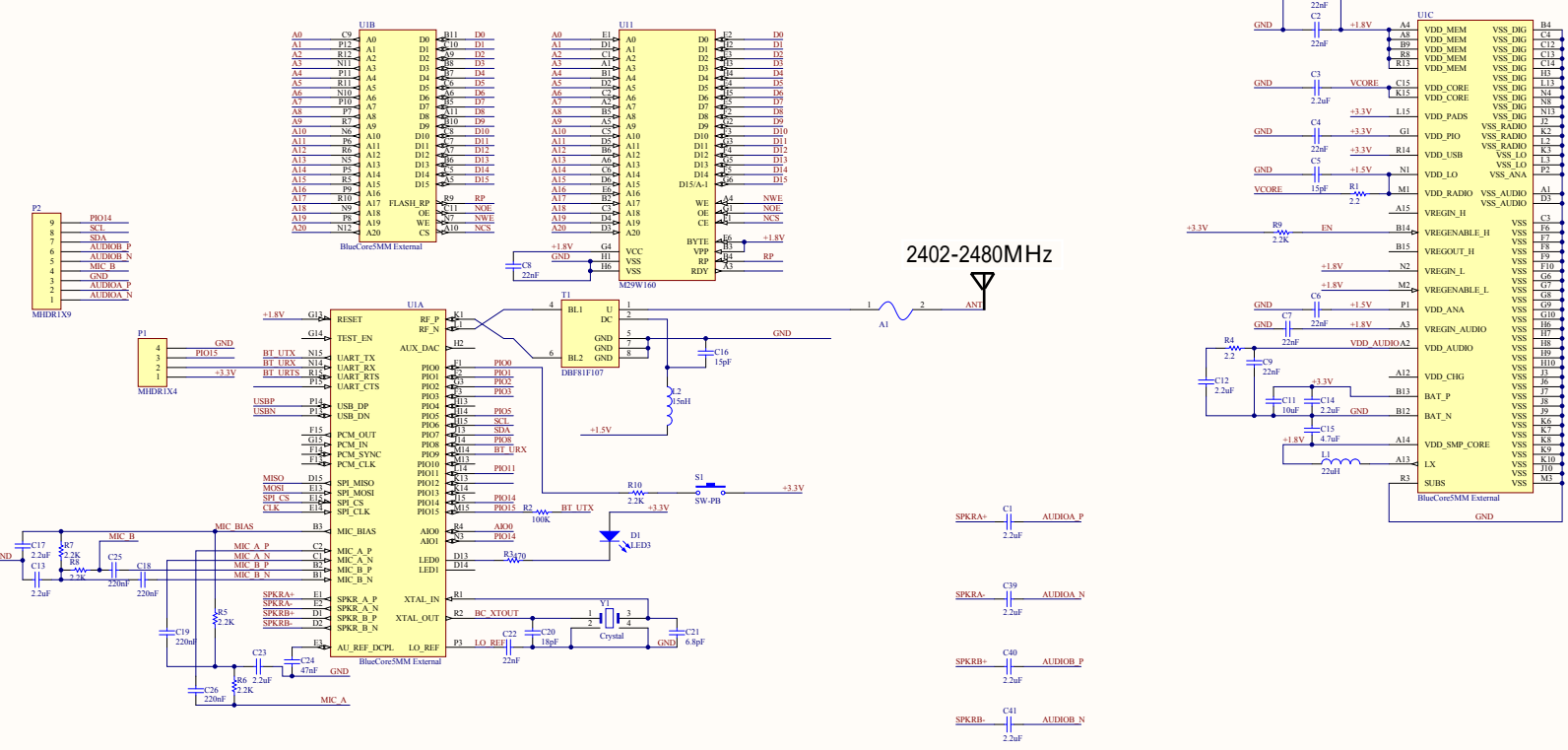


88.1-107.9MHz



Title		
Size	Number	Revision
B		
Date:	8/24/2010	Sheet of
File:	Z:\electronic\bc5board cig base SchDoc	Drawn By:





2402-2480MHz

Title		
Size	Number	Revision
C		
Date:	4/28/2010	Sheet of
File:	Z:\electronic\bc3board cig SchDoc	Drawn By: