

Title		
Size	Number	Revision
B		
Date:	3/31/2010	Sheet of
File:	Z:\electronic\bc5board cig base SchDoc	Drawn By:

A

B

C

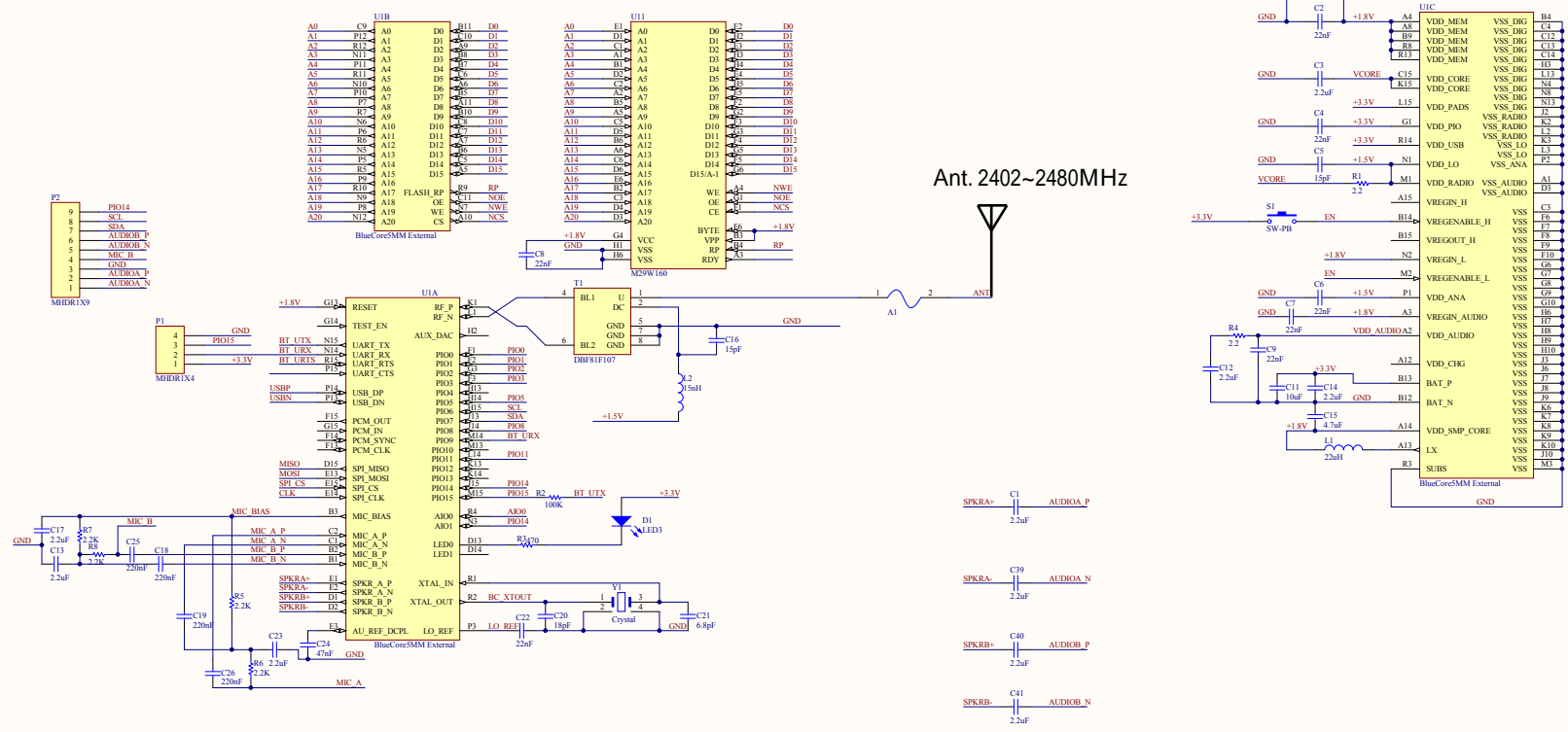
D

A

B

C

D



Title		
Size	Number	Revision
C		
Date:	3/29/2010	Sheet of
File:	Z:\electronics\bc3board_cig\SchDoc	Drawn By: