



***Test Report No. 9212311124***

***Applicant: Stratasys Ltd.***

***Equipment Under Test:***

***Connex 1000 MSC board***

***FCC ID: YH6-XLRFID***

***From The Standards Institution  
Of Israel  
Industry Division  
Electronics & Telematics Laboratory  
EMC Branch***



***ACCLASS Accreditation Services  
Certificate Number: AT-1359***

**Test Report No.:** 9212311124**Page 2 of 21 pages****Title:** Connex 1000 MSC board**FCC ID:** YH6-XLRFID**Model:** RFID reader BRD-07000, antenna board BRD-06000

<b>Applicant:</b>	Stratasys Ltd.
<b>Address:</b>	2 Holzman St, Science Park, P.O.B 2496, Rehovot 76124, Israel
<b>Sample for test selected by:</b>	The customer
<b>The date of test:</b>	8, 24 April and 7 July 2012

**Description of Equipment Under Test (EUT):** Assembly of two RFID readers on MSC boards and six antennas.

**Model:** RFID reader BRD-07000, antenna board BRD-06000

**Serial number:** NA

**Manufactured by:** Logitag Ltd.

#### Reference Documents:

- ❖ CFR 47 FCC: Rules and Regulations; Part 15. "Radio frequency devices";  
Subpart B: "Unintentional radiators" (2009).  
Section 15.109. Radiated emission limits.  
Subpart C: "Intentional radiators" (2009),  
Section 15.207. Conducted limits  
Section 15.209. "Radiated emission limits, general requirements".

This Test Report contains 21 pages and may be used only in full.	This Test Report applies only to the specimen tested and may not be applied to other specimens of the same product.
--	---



**Test Report No.:** 9212311124

**Page 3 of 21 pages**

**Title:** Connex 1000 MSC board

**FCC ID:** YH6-XLRFID

**Model:** RFID reader BRD-07000, antenna board BRD-06000

## 1. Test summary

Parameter	FCC Part 15 Reference paragraph	Verdict
Radiated emission test.	Subpart C Section 15.209.	Comply
Radiated emission test.	Subpart B Section 15.109 class A	Comply
Conducted emissions test	Subpart C Section 15.207	Comply

Electronics and Telematics Laboratory  
September 2013

Name: Eng. Yuri Rozenberg  
Position: Head of EMC Branch

Name: Michael Feldman  
Position: Test Technician

Measurement uncertainty.

Were relevant, the following measurement uncertainty level have been estimated for tests performed on the EUT as specified in CISPR 16-4-2:

This uncertainty represents an expanded uncertainty expressed at approximately the 95% confidence level using a coverage factor of k=2.

Test description	Expanded uncertainty
<b>Conducted emissions</b> from 150 kHz to 30 MHz	2 Uc (P) = ± 2.8 dB
<b>Radiated emissions</b> on the open field test site at 10 m measuring distance 30 MHz – 1.0 GHz	2 Uc (E) = ± 4.18 dB
at 3 m measuring distance 1.0 GHz – 18 GHz	2 Uc (E) = ± 4.47 dB



**Test Report No.:** 9212311124

**Page 4 of 21 pages**

**Title:** Connex 1000 MSC board

**FCC ID:** YH6-XLRFID

**Model:** RFID reader BRD-07000, antenna board BRD-06000

## **Table of Contents**

<b>1. Test summary</b>	<b>3</b>
<b>2. EUT Description and operation</b>	<b>5</b>
2.1. General description:	5
2.2. Potential emission sources:	9
2.3. EUT setup and operation:	9
<b>3. Measurements, examinations and derived results</b>	<b>9</b>
3.1. Location of the Test Site:	9
3.2. Test condition:	9
3.3. Initial visual check and functional test:	9
3.4. Radiated emission test.	10
3.5. Test of field strength emission from intentional radiator.	11
3.6. AC main conducted emissions test	14
3.7. Test of radiated emissions from unintentional radiator	17
<b>4. Appendix 1. Test equipment used.</b>	<b>18</b>
<b>5. Appendix 2: Antenna Factor and Cable Loss</b>	<b>19</b>

## 2. EUT Description and operation

### 2.1. General description:

\* Note: the customer supplied all information in clause below.

The EUT is RFID transceiver on MSC board installed inside metal box and connected up to four antennas. Product's main functions are read and write data from RFID tags attached to the resin material cartridges. Its intended use is to identify the type of resin. The RFID unit voltage is 5V (produced from the main 24V). Through RS-232 interface the RFID MCU (PIC16F876A) gets commands: Number of channel, read or write etc. The RFID signal is generated by the RFID chip (HTRC11001). This RF signal from RFID chip is directed to a MUX chip that switches the RF energy to only one of the four channel antennas at certain time. RS-232 interface connected internally inside a 3D printer. Connex 1000 printer uses up to 6 material cartridges. The test was done by simulating all 6 channel antennas from two boards.

Transmit frequency:	125 kHz
Type of modulation:	AM
Antenna type:	Loop coil mfr. Objet mod. BRD-06000

The EUT is powered from printer internal P.S 24VDC.

The RFID and MSC board block diagrams are shown in Figures 1 and 2.

The EUT's views are shown in photos below.

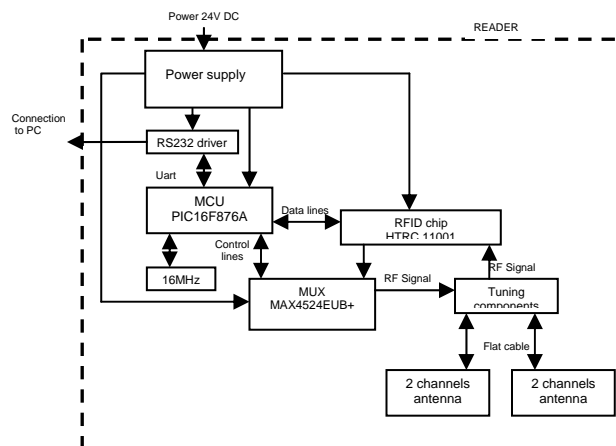


Figure 1. The RFID block-diagram.

Test Report No.: 9212311124

Page 6 of 21 pages

Title: Connex 1000 MSC board

FCC ID: YH6-XLRFID

Model: RFID reader BRD-07000, antenna board BRD-06000

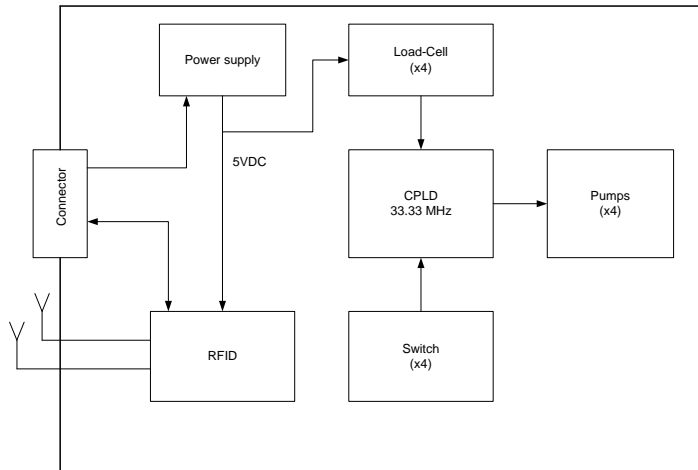


Figure 2. MSC board block-diagram.

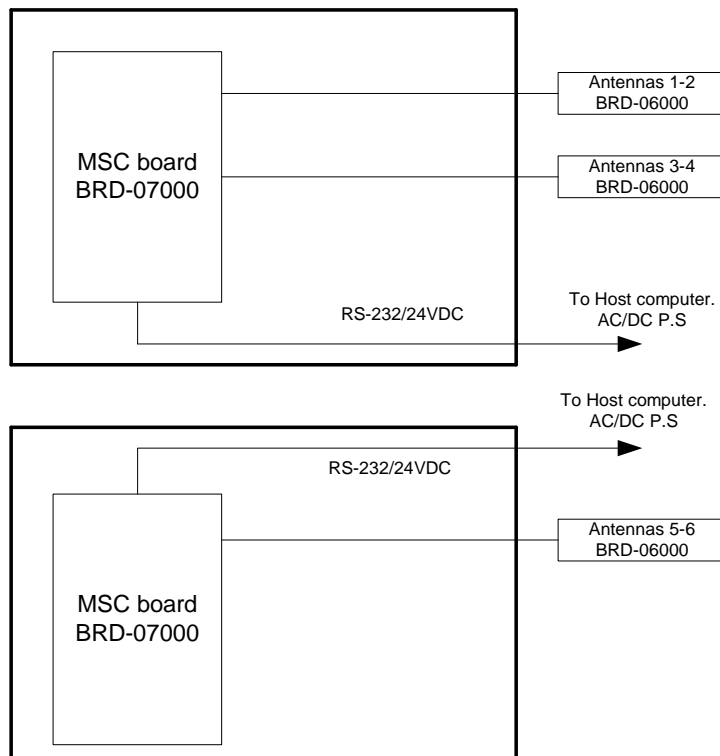


Figure 3. RE test setup block-diagram.

**Test Report No.:** 9212311124

**Page 7 of 21 pages**

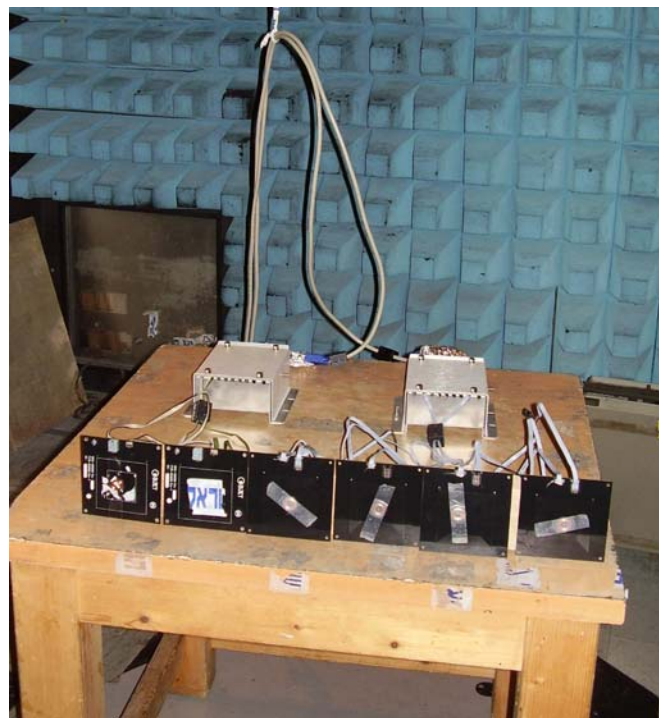
**Title:** Connex 1000 MSC board

**FCC ID:** YH6-XLRFID

**Model:** RFID reader BRD-07000, antenna board BRD-06000



**Photo 1. RE test in anechoic chamber.**



**Photo 2. RE test in anechoic chamber.**

**Test Report No.:** 9212311124

**Page 8 of 21 pages**

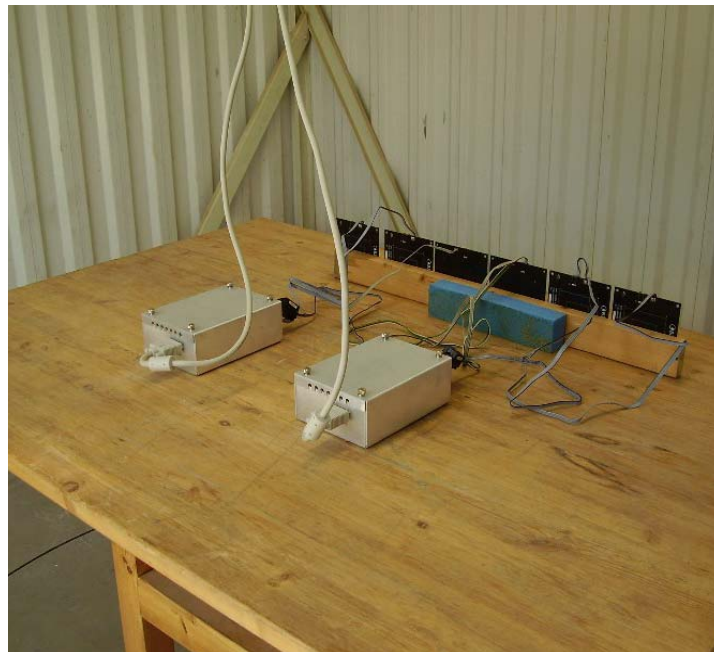
**Title:** Connex 1000 MSC board

**FCC ID:** YH6-XLRFID

**Model:** RFID reader BRD-07000, antenna board BRD-06000



**Photo 3. RE test setup on OATS.**



**Photo 4. RE test setup on OATS.**



**Test Report No.:** 9212311124**Page 9 of 21 pages****Title:** Connex 1000 MSC board**FCC ID:** YH6-XLRFID**Model:** RFID reader BRD-07000, antenna board BRD-06000

## 2.2. Potential emission sources:

The potential emission sources are detailed in Table 1.

**Table 1. Potential emission sources**

Frequency	Location
125 kHz	RFID (derived from 16 MHz)
16 MHz crystal	RFID
33.3 MHz crystal	MSC board (CPLD)

## 2.3. EUT setup and operation:

Measurements of transmitter were performed in continue transmission mode by simulating all four channel antennas and using Max Hold mode.

## 3. Measurements, examinations and derived results

### 3.1. Location of the Test Site:

Preliminary radiated test was conducted at the EMC laboratory of the Standards Institution of Israel in Tel-Aviv.

The final radiated emission test was conducted in an Open Area Test Site located at Kibbutz Native Halamed Hai in Emek HaEla, Israel.

### 3.2. Test condition:

Temperature: 24°C. Humidity: 63 %. Atmospheric pressure: 1012 mbar.

### 3.3. Initial visual check and functional test:

Initial visual check and brief built-in test of the EUT was performed before testing.

- No external damages were found.
- The test on the EUT passed successfully.

**Test Report No.:** 9212311124**Page 10 of 21 pages****Title:** Connex 1000 MSC board**FCC ID:** YH6-XLRFID**Model:** RFID reader BRD-07000, antenna board BRD-06000

### 3.4. Radiated emission test.

#### 3.4.1. General:

Per FCC Part 15 subpart B, C Sections 15.109, 15.209

#### 3.4.2. Preliminary radiated emission tests:

Preliminary investigation measurements were performed up to tenth harmonic of fundamental in a semi-anechoic chamber at distance 3 meter. The EUT was setup in its typical configuration and operated in its various modes. For each mode of operation the frequency spectrum was monitored. EUT configuration, cable configuration and mode of operation, which produced the maximum level of emission, were documented. A list of frequencies to be tested was prepared.

#### 3.4.3. Final measurements procedure:

The final radiated emission measurements were performed at the Open Area Test Site at 3 and 10m test distances. The EUT was operated as described above. The EUT was installed on a turn - table. Measurements were performed with active loop antenna at frequencies below 30 MHz and with Biconilog antenna from 30 MHz to 1.0 GHz. The measurements were performed at each frequency that was founded previously at which the signal level was 10 dB below the limit or less. The levels were maximized by rotating turntable through 360° and changing antenna-to-EUT polarization from vertical to horizontal. The worse case result was noted in tables.

#### 3.4.4. Changes performed in the EUT during the tests:

To withstand RE test according to part 15.109 class A on OATS four ferrite beads mfr. Fair-Rite p/n 0443167251 were added on cables. Two ferrites on cables DC/RSS-232 5cm from connector and two ferrite bead was added on flat cables to antennas at 3cm from cage with turn. The mentioned ferrite beads were used during all performed tests.

#### 3.4.5. Radiated emission test results:

All received emissions from the RFID transmitter were found below FCC Part 15 Subpart C sections 15.209 and below FCC part 15.109 class A limit for digital part. Final result measurements are presented in tables #2, #3 in sections 3.5.5 and .3.7.

**Test Report No.:** 9212311124

Page 11 of 21 pages

**Title:** Connex 1000 MSC board

FCC ID: YH6-XLRFID

**Model:** RFID reader BRD-07000, antenna board BRD-06000

### 3.5. Test of field strength emission from intentional radiator.

#### 3.5.1. General:

Per FCC Part 15 Subpart C section 15.209 (a).

#### 3.5.2. Requirements:

The RFID operation frequency is 125 kHz.

The average field strength emission from intentional radiators operated on this frequency shall comply with the limit of section 15.209 (a).

Emission frequency MHz	Specified Field Strength limit of Fundamental $\mu\text{V/m}@300\text{m}$	Calculated Field Strength limit $\text{dB}\mu\text{V/m}@3\text{m}$
0.125	2400/F	105.6

Note: The field strength limit was calculated with 40 dB/decade linear distance extrapolation factor.

The field strength of any unwanted emissions shall not exceed the general radiated emission limits in § 15.209.

#### 3.5.3. Test procedure:

The test was conducted according to requirement clause 15.209.

#### 3.5.4. Test summary:

The tested unit meets the standard requirement.



Test Report No.: 9212311124

Page 12 of 21 pages

Title: Connex 1000 MSC board

FCC ID: YH6-XLRFID

Model: RFID reader BRD-07000, antenna board BRD-06000

3.5.5. Test results:

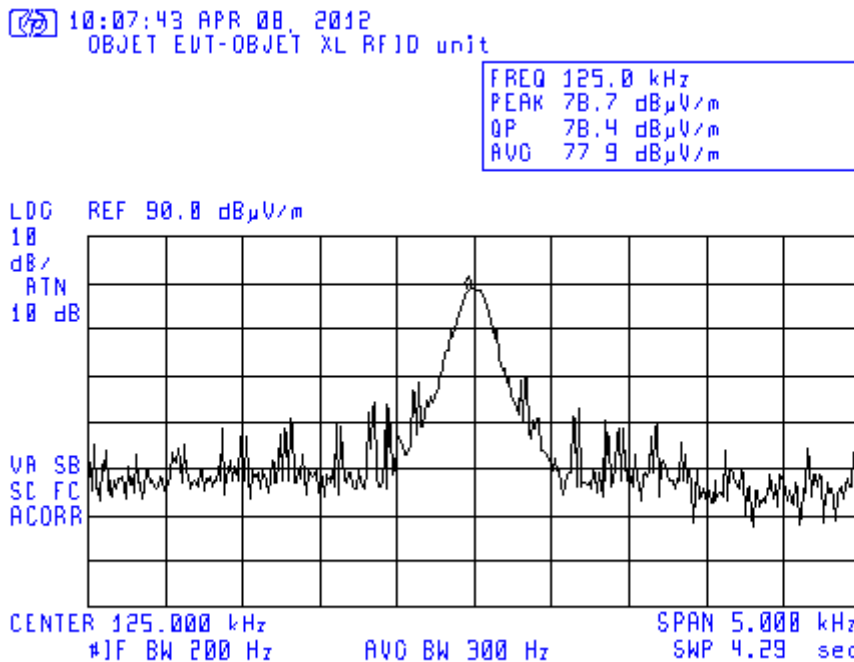
Table # 2. Fundamental frequency test result

Carrier frequency MHz	Average amplitude dBμV/m	Calculated limit@ 3m. dBμV/m
0.125	77.9	105.6

For recorded fundamental frequency result see plot #1.

The received radiated emission result was found below the § 15.209 specified limit.

Investigation scans of spurious emission present in plots #2 and #3



Plot # 1. Field strength of fundamental frequency 125 kHz.



Test Report No.: 9212311124

Page 13 of 21 pages

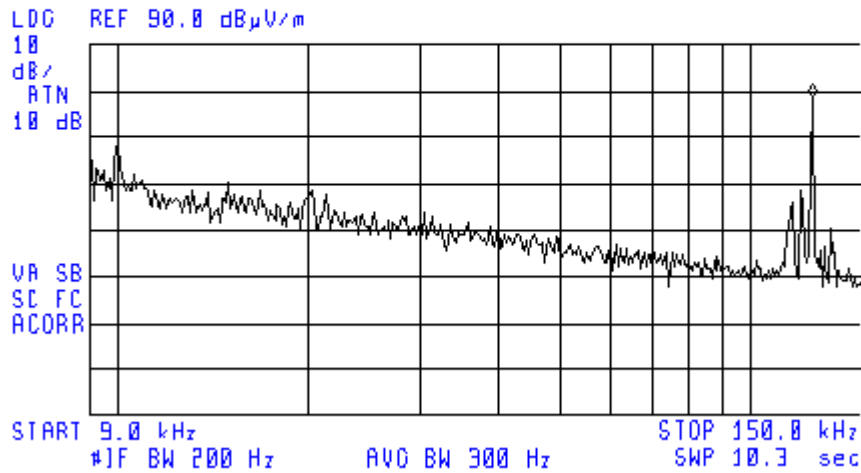
Title: Connex 1000 MSC board

FCC ID: YH6-XLRFID

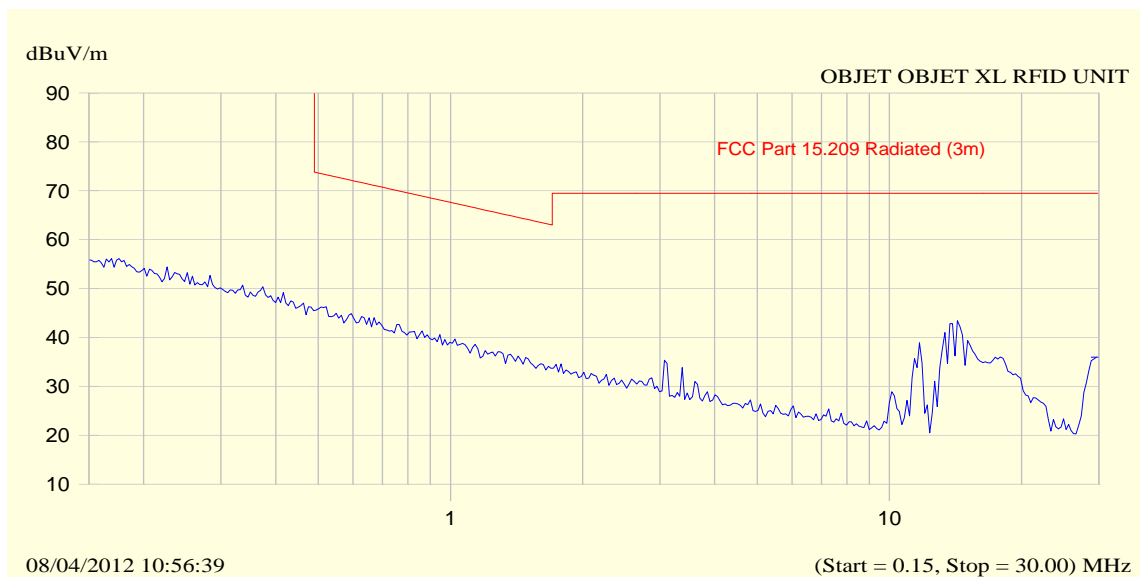
Model: RFID reader BRD-07000, antenna board BRD-06000

10:19:22 APR 08, 2012  
OBJET EUT-OBJET XL RFID unit

ACTV DET: PEAK  
MEAS DET: PEAK DP AVG  
MKR 124.8 kHz  
78 62 dBμV/m



Plot # 2. Frequency scan 0.009 - 0.15 MHz. Test distance 3m.



Plot # 3. Frequency scan 0.15 – 30 MHz. Test distance 3m.

**Test Report No.:** 9212311124

Page 14 of 21 pages

**Title:** Connex 1000 MSC board**FCC ID:** YH6-XLRFID**Model:** RFID reader BRD-07000, antenna board BRD-06000

### 3.6. AC main conducted emissions test

Per FCC Part 15 subpart C Section 15.207

#### **Test configuration:**

The EUT was placed on a non-metallic table in a shielded room at a height of 80 cm from the floor and 40 cm from the vertical ground plane (wall) of the room.

#### **3.6.1. Test procedure:**

The EUT was operated in charging mode.

First, initial scans were performed. Final measurements were performed at the frequencies where emission exceeded the tolerance limit.

Test equipment (EMI receiver) setup was as follow:

#### **Initial scan:**

Detector type	Peak
Mode	Max hold
Bandwidth	9 kHz
Sweep time	>100 msec

#### **Measurements:**

Detector type	Quasi-peak (CISPR), Average
Bandwidth	9 kHz
Observation	>15 seconds

#### **3.6.2. Test results:**

All received emissions from EUT were found below FCC Part 15.207 limits (see plots ##4, 5 below).

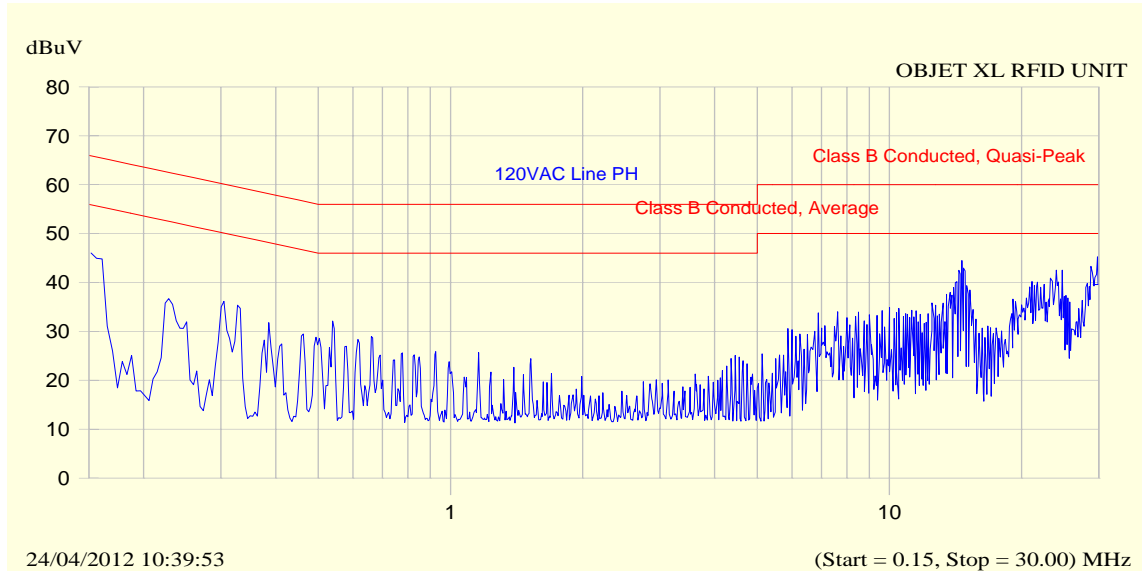
**Test Report No.:** 9212311124

**Page 15 of 21 pages**

**Title:** Connex 1000 MSC board

**FCC ID:** YH6-XLRFID

**Model:** RFID reader BRD-07000, antenna board BRD-06000



Frequency MHz	Peak dB $\mu$ V	QP dB $\mu$ V	QP Limit dB $\mu$ V	Margin dB	Avg dB $\mu$ V	Avg Limit dB $\mu$ V	Margin dB
0.165	49.7	47.5	65.2	-17.7	43.1	55.2	-12.1
14.626	44.8	43.7	60.0	-16.3	43.1	50.0	-6.9
14.753	43.0	41.7	60.0	-18.3	41.5	50.0	-8.5
24.752	43.2	41.3	60.0	-18.7	39.5	50.0	-10.5
28.753	44.5	42.5	60.0	-17.5	40.1	50.0	-9.9
29.002	45.6	43.9	60.0	-16.1	41.4	50.0	-8.6

**Plot # 4. Tested line Phase**

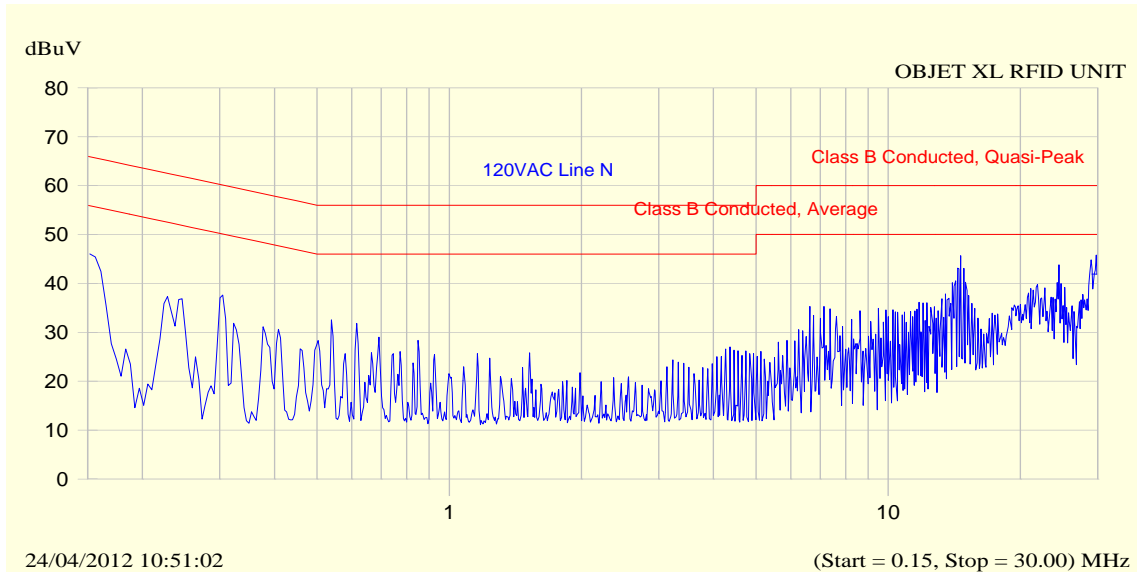
**Test Report No.:** 9212311124

**Page 16 of 21 pages**

**Title:** Connex 1000 MSC board

**FCC ID:** YH6-XLRFID

**Model:** RFID reader BRD-07000, antenna board BRD-06000



Frequency MHz	Peak dB $\mu$ V	QP dB $\mu$ V	QP Limit dB $\mu$ V	Margin dB	Avg dB $\mu$ V	Avg Limit dB $\mu$ V	Margin dB
0.165	50.5	48.1	65.2	-17.1	43.7	55.2	-11.6
14.626	46.6	45.3	60.0	-14.7	43.9	50.0	-6.1
14.752	44.0	42.6	60.0	-17.4	42.2	50.0	-7.8
24.752	43.3	41.7	60.0	-18.3	39.9	50.0	-10.1
28.753	45.3	43.3	60.0	-16.7	41.0	50.0	-9.0
29.002	46.9	45.0	60.0	-15.0	42.1	50.0	-7.9

**Plot # 5. Tested line Neutral**





**Test Report No.:** 9212311124

**Page 17 of 21 pages**

**Title:** Connex 1000 MSC board

**FCC ID:** YH6-XLRFID

**Model:** RFID reader BRD-07000, antenna board BRD-06000

**3.7. Test of radiated emissions from unintentional radiator**

Per FCC Part 15 subpart B Section 15.109

**3.7.1. Test procedure:**

The EUT was on at normal performance.

Final measurements were performed according to clause 3.4.3.

**Initial scan:**

Detector type      Peak  
 Mode                Max hold  
 Bandwidth         120 kHz  
 Sweep time        >1 seconds/MHz

**Measurements:**

Detector type        Quasi-peak (CISPR)  
 Bandwidth            120 kHz  
 Measurement time   20 seconds/MHz

**3.7.2. Radiated emission test results:**

All received emissions were found below FCC Part 15 class A limits and presented in table # 3 below.

**Table 3. Radiated emission test results  
 Subpart B class A 10m distance.**

Frequency (MHz)	Antenna Polariz. V/H	Antenna Height (m)	Turn- table Angle (°)	Emission Level Note 1 dBµV/m	Limit @ 10 m dBµV/m	Margin dB	Results
30.8	V	1.0	31	36.8	39.0	-2.2	Complies
38.0	V	1.0	358	36.7	39.0	-2.3	Complies
110.5	V	1.0	141	26.4	43.5	-17.1	Complies
117.8	V	1.0	276	31.7	43.5	-11.8	Complies
124.6	V	1.0	238	31.9	43.5	-11.6	Complies
169.7	H	3.1	152	27.9	43.5	-15.6	Complies

**Note 1:** Emission level = E Reading (dBµV) + Cable loss (dB) + Antenna Factor (dB/m)  
 For Cable Loss and Antenna Factor refer to Appendix 2

**Test Report No.:** 9212311124**Page 18 of 21 pages****Title:** Connex 1000 MSC board**FCC ID:** YH6-XLRFID**Model:** RFID reader BRD-07000, antenna board BRD-06000

#### 4. Appendix 1. Test equipment used.

All measurements equipment is on SII calibration schedule with a recalibration interval not exceeding one year.

Instrument	MFR	Model	Serial No.	Due calibration date
EMI Receiver 9 kHz – 6.5 GHz	HP	8546A+85460 A	SII 4068	May 2013
Active Loop Antenna 10 kHz – 30 MHz	EMCO	6502	3283	Oct 2012
Antenna Biconilog 30 – 2000 MHz	Schaffner- Chase	CBL6112B	S/N 23181	Dec 2012
EMI Analyser 9 kHz - 26.5 GHz	HP	E7405A	SII 4944	March 2013
LISN 9 kHz – 30 MHz	FCC	LISN 250-32- 4-16	SII5023	Dec 2012
Transient limiter 0.009-200 MHz	HP	11947A	3107105	May 2013
Oscilloscope	HP	54610B	US37340682	April 2013
RF cable, 4m	Sucoflex	104PE	21328/4PE	Oct 2012
Temperature/Humidity cabinet	Heraeus	HC 4033	SII 4062	Jan 2013
Antenna Mast	Frankonia	FAM6	5952	N/A
Metallic turntable	Frankonia	FTM2-2	5952	N/A
Positioning controller	Frankonia	FCO2	5952	N/A

Test Report No.: 9212311124

Page 19 of 21 pages

Title: Connex 1000 MSC board

FCC ID: YH6-XLRFID

Model: RFID reader BRD-07000, antenna board BRD-06000

## 5. Appendix 1: Antenna Factor and Cable Loss

Table 4. Cables #8 and #10 loss (10m cable + Mast).

Point	Frequency (MHz)	Cable Loss (dB)	Point	Frequency (MHz)	Cable Loss (dB)
1	30	0.53	21	1000	3.68
2	50	0.75	22	1100	3.82
3	100	1.08	23	1200	4.07
4	150	1.39	24	1300	4.24
5	200	1.61	25	1400	4.43
6	250	1.752	26	1500	4.6
7	300	2.00	27	1600	4.7
8	350	2.15	28	1700	4.85
9	400	2.26	29	1800	4.98
10	450	2.383	30	1900	5.19
11	500	2.52	31	2000	5.34
12	550	2.606	32	2100	5.51
13	600	2.75	33	2200	5.69
14	650	2.856	34	2300	5.89
15	700	3.06	35	2400	6.07
16	750	3.20	36	2500	6.22
17	800	3.27	37	2600	6.28
18	850	3.38	38	2700	6.41
19	900	3.46	39	2800	6.53
20	950	3.55	40	2900	6.84

Table 5. Antenna Factor

For Biconilog Antenna, Model Number: CBL 6112D, S/N: 23181

No.	f / MHz)	AF / dB/m	f / MHz)	AF / dB/m	f / MHz)	AF / dB/m	f / MHz)	AF / dB/m
1	30	17.90	170	9.40	530	17.70	1040	22.20
2	32	16.70	175	9.00	540	18.25	1060	22.50
3	34	15.55	180	8.50	550	18.60	1080	22.50
4	36	14.35	185	8.45	560	14.45	1100	22.40
5	38	13.30	190	8.60	570	18.40	1120	22.60
6	40	12.20	195	8.85	580	18.50	1140	22.45
7	42	11.05	200	8.95	590	18.60	1160	22.50
8	44	9.95	205	8.80	600	18.60	1180	22.40
9	46	8.90	210	8.50	610	18.80	1200	22.80
10	48	8.05	215	8.20	620	18.99	1220	22.95
11	50	7.30	220	8.50	630	19.05	1240	23.10
12	52	6.80	225	9.00	640	19.23	1260	23.40
13	54	6.45	230	9.65	650	19.10	1280	23.35
14	56	6.00	235	10.30	660	19.13	1300	23.62
15	58	5.70	240	11.00	670	19.04	1320	23.64
16	60	5.45	245	11.60	680	19.00	1340	23.86
17	62	5.30	250	12.00	690	19.17	1360	23.95
18	64	5.20	255	12.45	700	19.28	1380	23.90
19	66	5.30	260	12.85	710	19.25	1400	24.45
20	68	5.30	265	12.50	720	19.45	1420	24.74
21	70	5.35	270	12.45	730	19.75	1440	24.93
22	72	5.50	275	12.40	740	19.95	1460	25.03
23	74	5.80	280	12.55	750	20.07	1480	25.45
24	76	6.00	285	12.65	760	19.85	1500	25.30
25	78	6.60	290	12.75	770	19.80	1520	25.25
26	80	6.70	295	12.95	780	19.85	1540	25.36
27	82	7.15	300	13.00	790	19.95	1560	25.58
28	84	7.60	310	13.35	800	20.05	1580	25.50
29	86	8.10	320	13.75	810	20.10	1600	25.65
30	88	8.50	330	13.85	820	20.35	1620	25.60
31	90	8.90	340	14.10	830	20.40	1640	25.70
32	92	9.20	350	14.50	840	20.35	1660	25.83
33	94	9.75	360	14.70	850	20.46	1680	25.97
34	96	9.95	370	14.90	860	20.39	1700	26.10
35	98	10.20	380	15.10	870	20.29	1720	26.25
36	100	10.50	390	15.45	880	20.24	1740	26.04
37	105	11.25	400	16.00	890	20.35	1760	26.14
38	110	11.70	410	16.40	900	20.55	1780	26.20
39	115	11.70	420	16.70	910	20.45	1800	26.40
40	120	11.80	430	16.35	920	20.60	1820	26.64
41	125	11.80	440	16.30	930	20.60	1840	26.86
42	130	11.70	450	16.30	940	20.66	1860	27.12
43	135	11.35	460	16.70	950	20.88	1880	27.00
44	140	10.95	470	17.05	960	21.11	1900	27.25
45	145	10.35	480	17.20	970	20.93	1920	27.36
46	150	10.05	490	17.30	980	21.03	1940	27.68
47	155	9.70	500	17.40	990	21.05	1960	27.10
48	160	9.70	510	17.50	1000	21.10	1980	27.06
49	165	9.45	520	17.60	1020	21.40	2000	27.25



**Test Report No.:** 9212311124

**Page 21 of 21 pages**

**Title:** Connex 1000 MSC board

**FCC ID:** YH6-XLRFID

**Model:** RFID reader BRD-07000, antenna board BRD-06000

**Antenna factor**  
**Active Loop antenna mfr.EMCO mod. 6502 S/N 3424**

Frequency (MHz)	Magnetic Antenna Factor (dBS/m)	Electric Antenna Factor (dB)
0.009	-31.46	20.07
0.010	-32.34	19.18
0.020	-36.15	15.38
0.050	-38.57	12.96
0.075	-38.78	12.75
0.100	-39.07	12.46
0.150	-39.07	12.45
0.250	-39.18	12.35
0.500	-39.29	12.24
0.750	-39.38	12.14
1.000	-39.57	11.95
2.000	-39.84	11.69
3.000	-40.09	11.44
4.000	-40.13	11.40
5.000	-40.24	11.28
10.000	-40.26	11.27
15.000	-40.70	10.83
20.000	-41.02	10.51
25.000	-41.94	9.59
30.000	-43.39	8.14

**Cable Loss**

**Type: Sucoflex 104PE; Ser.No.21328/4PE; 4 m length**

Point	Frequency (GHz)	Cable Loss (dB)
1	0.0-1.0	1.7
2	1.0- 3.5	3.2
3	3.5- 5.5	4.0
4	5.5 - 7.5	4.7
5	7.5 - 9.5	5.3
6	9.5 - 10.5	5.6
7	10.5 - 12.5	6.2
8	12.5 - 14.5	6.8
9	14.5 - 16.5	7.5
10	16.5 - 18.0	8.1