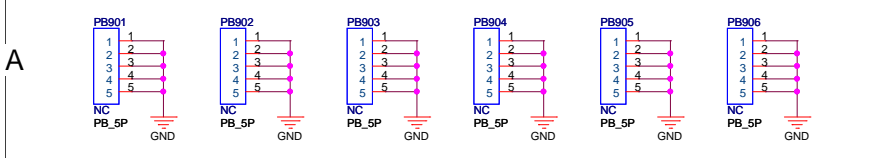
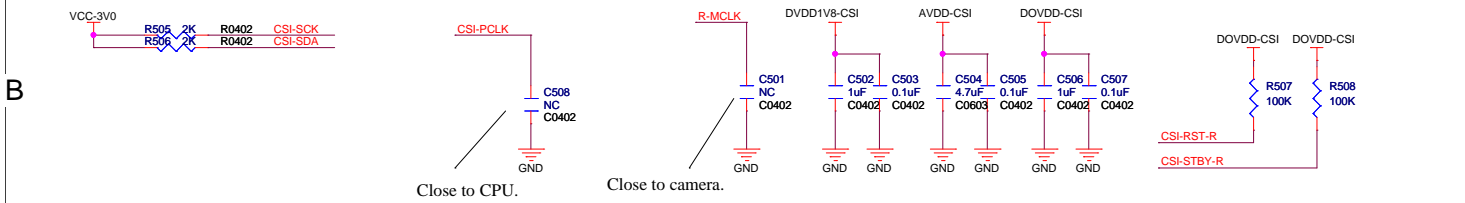
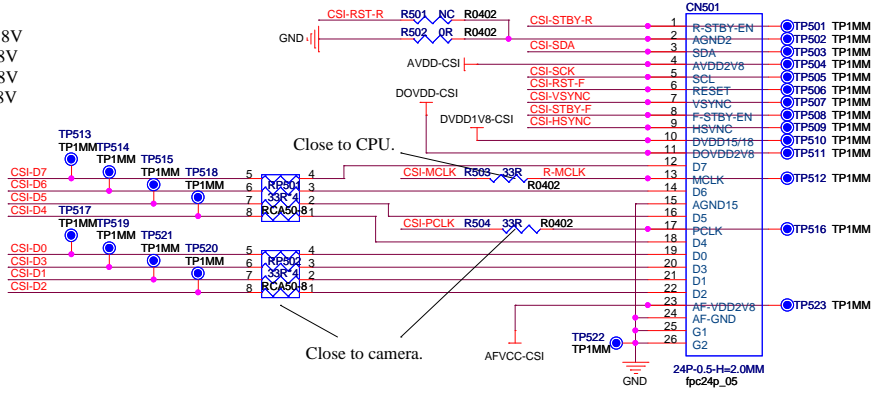


CAMERA

Front & Rear Camera

DVDD1V8-CSI =1.8V
 DOVDD-CSI =2.8V
 AVDD-CSI =2.8V
 AFVCC-CSI =2.8V

- D
- 1 CSI-PCLK
 - 1 CSI-MCLK
 - 1 CSI-HSYNC
 - 1 CSI-VSYNC
 - 1 CSI-D0
 - 1 CSI-D1
 - 1 CSI-D2
 - 1 CSI-D3
 - 1 CSI-D4
 - 1 CSI-D5
 - 1 CSI-D6
 - 1 CSI-D7
- C
- 1 CSI-SCK
 - 1 CSI-SDA
 - 1 CSI-RST-R
 - 1 CSI-STBY-R
 - 1 CSI-RST-F
 - 1 CSI-STBY-F

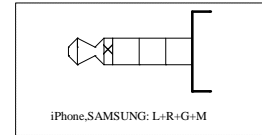
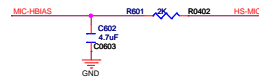
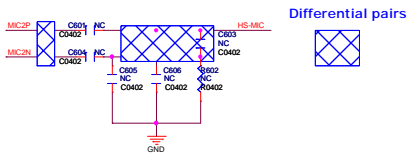


Allwinner Technology Co., Ltd		
Design Name A23 Tablet STD		
Size A4	Page Name CAMERA	Rev
Date: Tuesday, October 15, 2013	Sheet 5	of 13

AUDIO(AC couple)

Head Phone

- 1 MC-HBIAS << MC-HBIAS
- 1 MC-MBIAS << MC-MBIAS
- 1 MIC1P << MIC1P
- 1 MIC1N << MIC1N
- 1 MIC2P << MIC2P
- 1 MIC2N << MIC2N
- 1 HPR << HPR
- 1 HPL << HPL
- 1 HPCOM << HPCOM
- 1 PA-SHDN << PA-SHDN
- 1 HPCOMFB << HPCOMFB

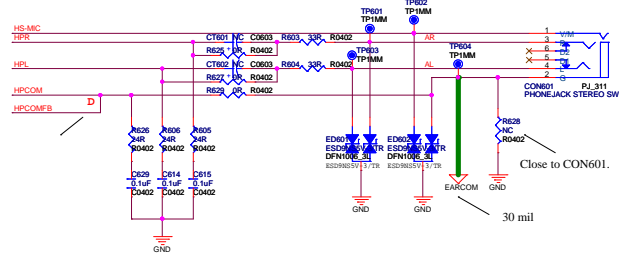
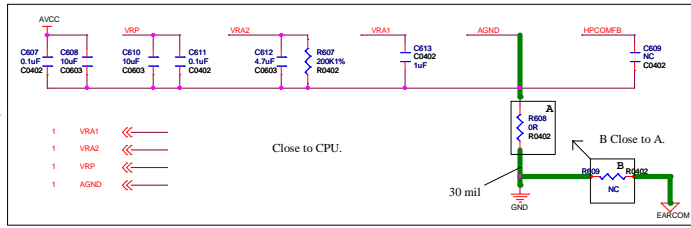


D

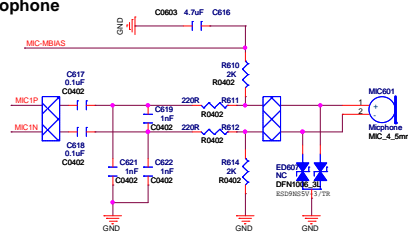
D

C

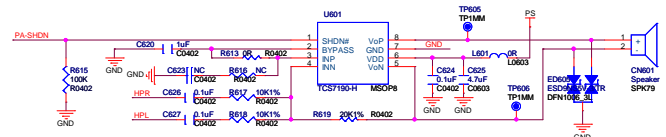
C



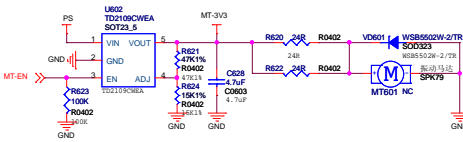
Analog Microphone



Speaker



MOTOR



A

A

		Allwinner Technology Co., Ltd	
		Design Name: A23 Tablet STD	
Size: A3	Page Name: AUDIO(AC couple)	Rev: New	
Date: Tuesday, December 10, 2013	Sheet: 6	of 13	

5

4

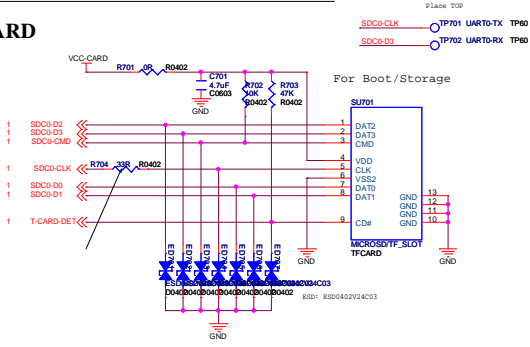
3

2

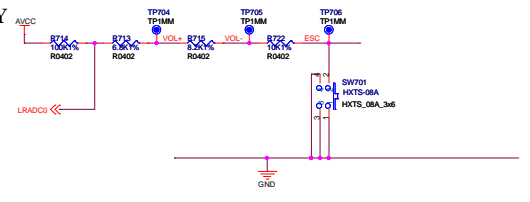
1

T-CARD/USB/KEY/SENSOR

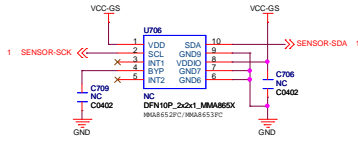
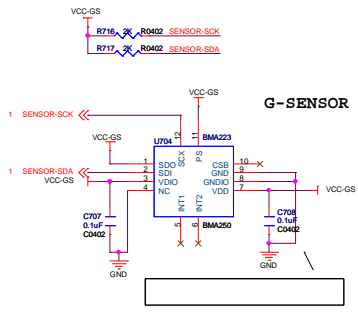
T-CARD



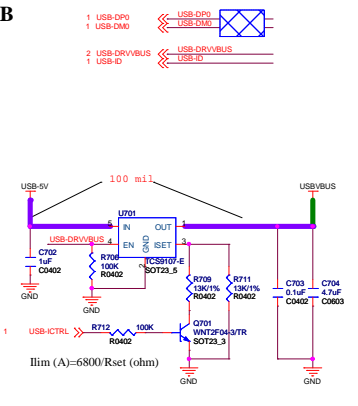
KEY



SENSOR

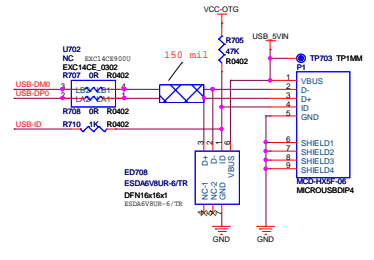


USB

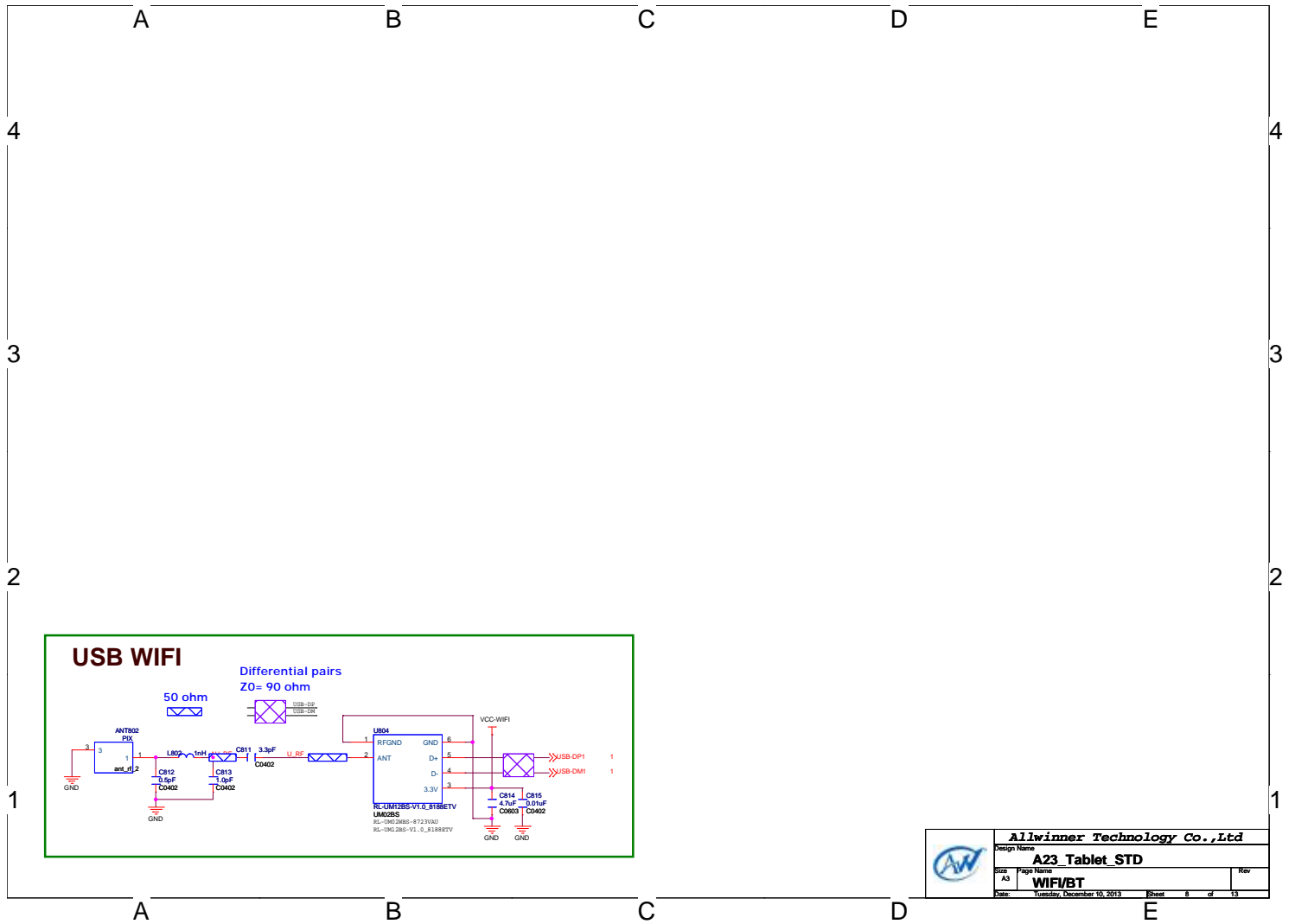


Differential pairs

Z0 = 90 ohm

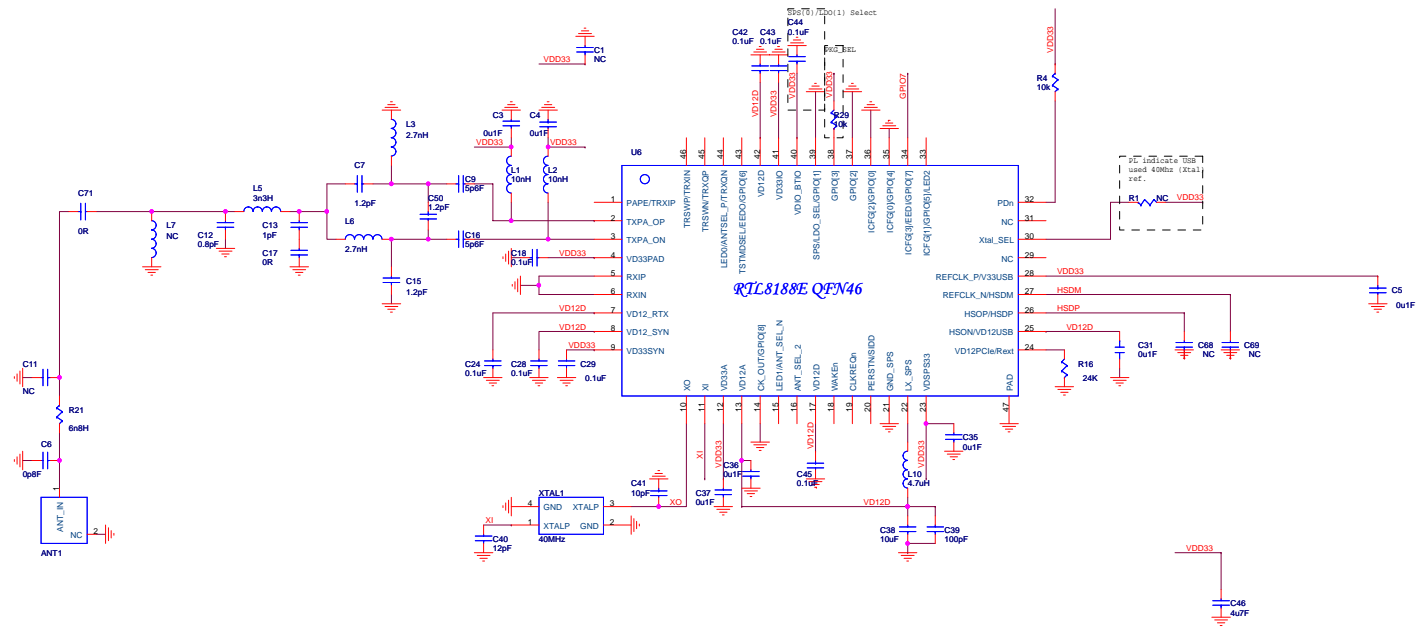


		Allwinner Technology Co., Ltd	
		Design Name: A23 Tablet STD	
Size: A3	Page No: 7	Rev: 1	
Title: T-CARD/USB/MOTO/SENSOR		Date: Tuesday, December 16, 2015 Sheet: 7 of 13	



Aliwinner Technology Co., Ltd			
A23 Tablet STD			
Design Name			
Size	Page Name	Rev	
A3	WiFi/BT		
Date:	Tuesday, December 10, 2013	Sheet	6 of 15

UD88E00-1V0	Initial	20120117
UD88E00-1V0	delete R3, R10, R11, R32, R40	20120210
UD88E00-1V0	add C30, C31	20120210
UD88E00-1V0	update ZNF matching value, L5, C1	20120325



Title		
UD88E00-1V0		
Size	Document Number	Rev
Custom-Doc-		1V0
Date:	Thursday, April 05, 2012	Sheet 1 of 1


MODEM 2G/GPRS

1,8 BB-PCM-CLK << BB-PCM-CLK
1,8 BB-PCM-SYNC << BB-PCM-SYNC
1,8 BB-PCM-DOUP << BB-PCM-DOUP
1,8 BB-PCM-DN << BB-PCM-DN

1 AP-UART2-CTS << BB-UART-RTS
1 AP-UART2-RTS << BB-UART-CTS
1 AP-UART2-RX << BB-UART-TX
1 AP-UART2-TX << BB-UART-RX

1 BB-WAKE-AP << BB-WAKE-AP
1 BB-PWREN << BB-PWREN
1 AP-WAKE-BB << AP-WAKE-BB
1 BB-RST << BB-RST

1 PHOUTP << MCF
1 PHOUTN << MCF
1 PHNP << EASCF
1 PHNN << EASCF

		Allwinner Technology Co., Ltd	
Design Name		A23 Tablet STD	
Size	Page Name	Rev	
A3	MODEM		
Date:	Tuesday, October 15, 2013	Sheet	9 of 13

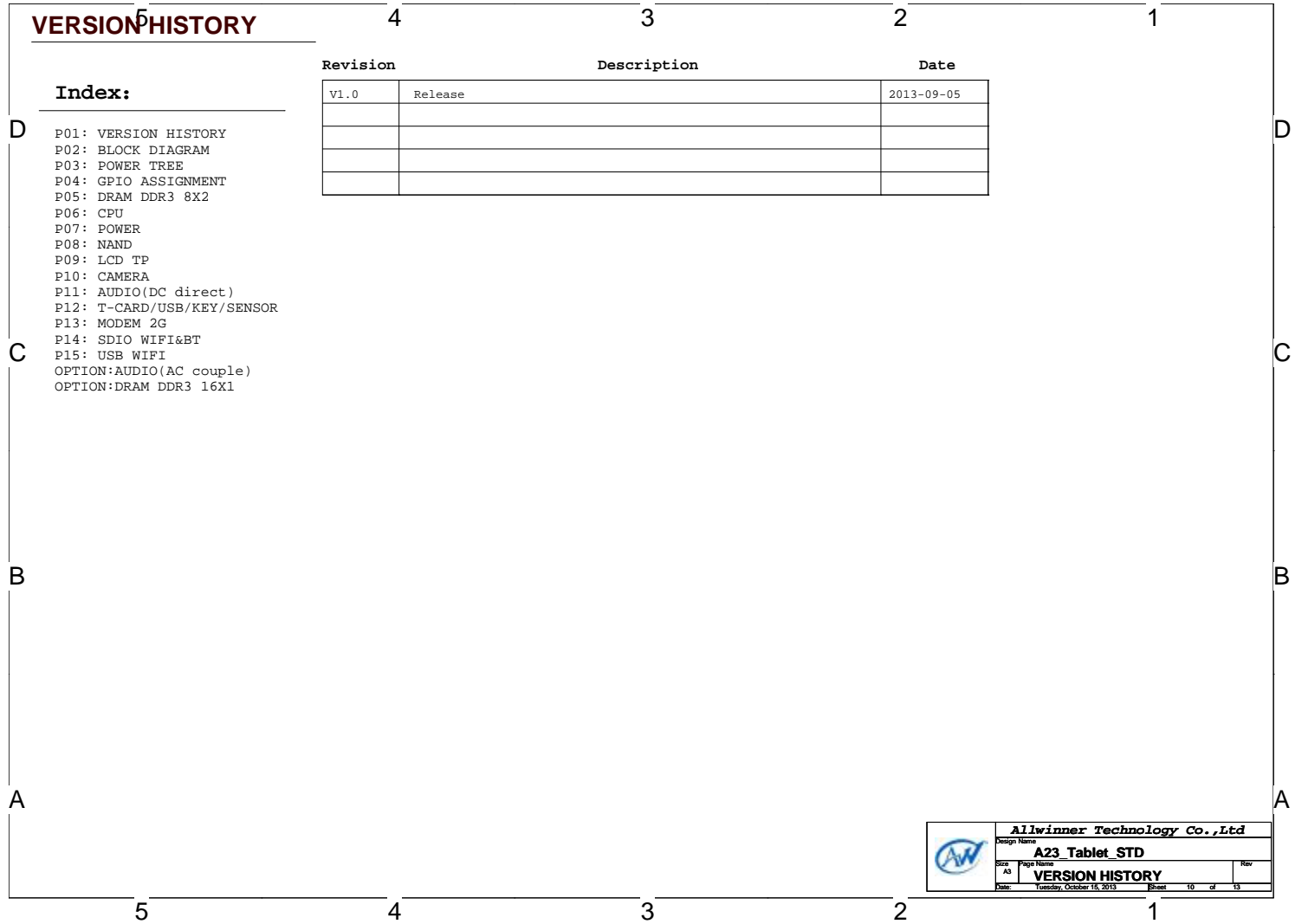
VERSION HISTORY

Revision		Description	Date
V1.0	Release		2013-09-05

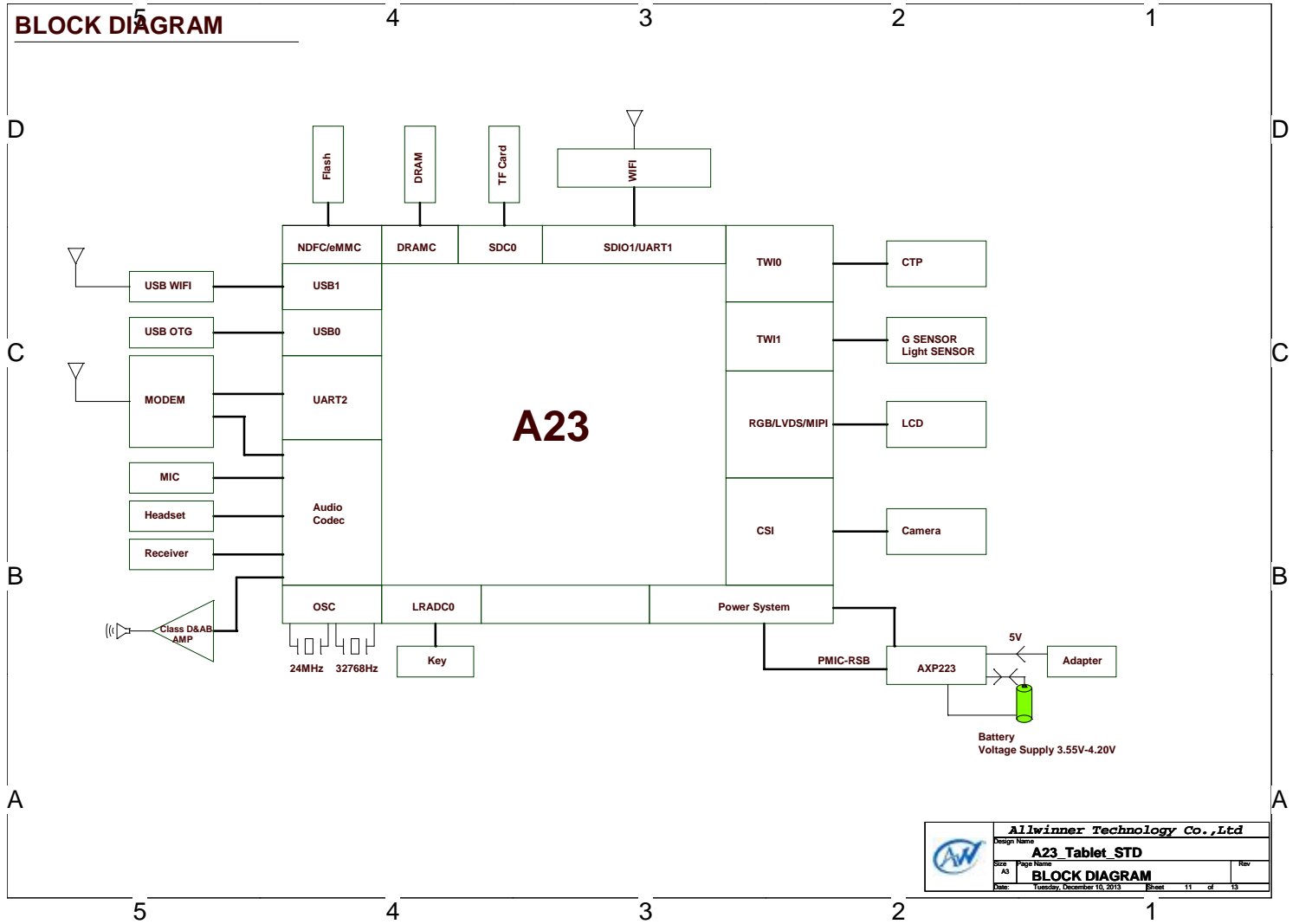
Index:

- P01: VERSION HISTORY
- P02: BLOCK DIAGRAM
- P03: POWER TREE
- P04: GPIO ASSIGNMENT
- P05: DRAM DDR3 8X2
- P06: CPU
- P07: POWER
- P08: NAND
- P09: LCD TP
- P10: CAMERA
- P11: AUDIO(DC direct)
- P12: T-CARD/USB/KEY/SENSOR
- P13: MODEM 2G
- P14: SDIO WIFI&BT
- P15: USB WIFI
- OPTION:AUDIO(AC couple)
- OPTION:DRAM DDR3 16X1

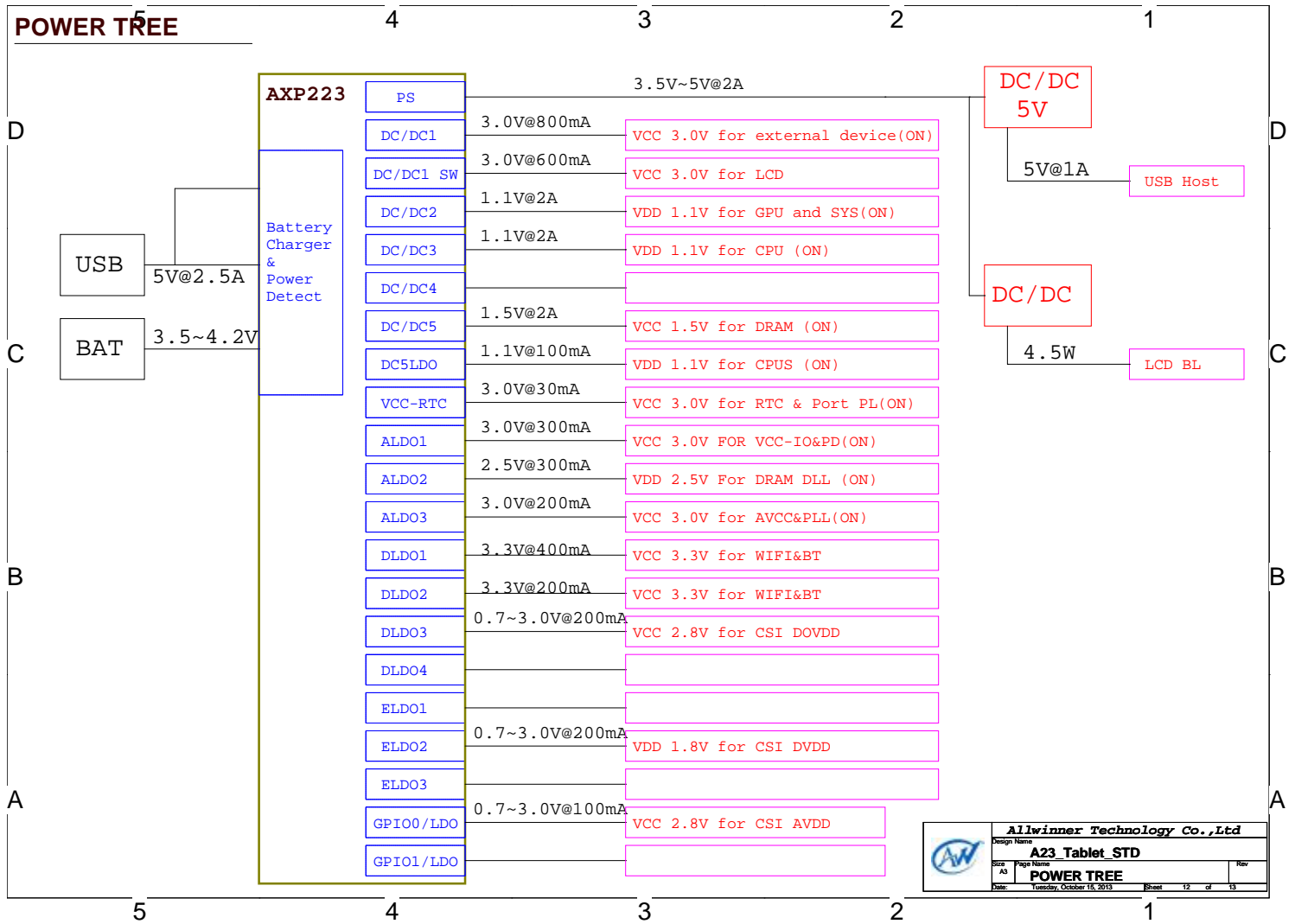
		Allwinner Technology Co.,Ltd	
Design Name		A23 Tablet STD	
Size	Page Number	Rev	
A3	VERSION HISTORY		
Date: Tuesday, October 15, 2013		Sheet	10 of 13



BLOCK DIAGRAM

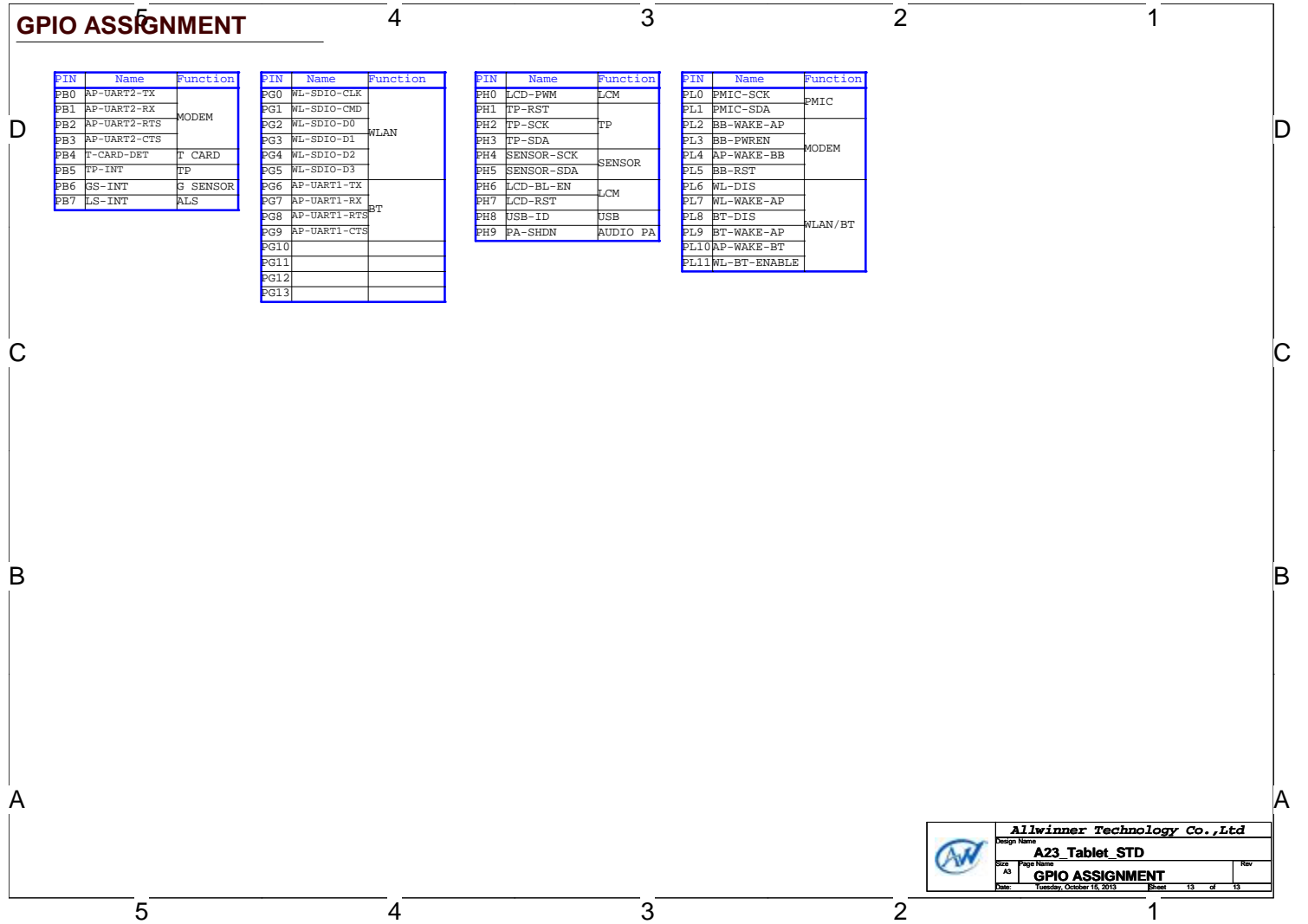


Allwinner Technology Co., Ltd			
Design Name: A23 Tablet STD			
Size: A3	Page Name: BLOCK DIAGRAM	Rev: _____	
Date: Tuesday, December 16, 2013	Sheet: 11	of 13	



Allwinner Technology Co., Ltd			
Design Name: A23 Tablet STD			
Size: A3	Page Name: POWER TREE	Rev:	
Date: Tuesday, October 15, 2013	Sheet: 12	of 13	

GPIO ASSIGNMENT



PIN	Name	Function
PB0	AP-UART2-TX	
PB1	AP-UART2-RX	MODEM
PB2	AP-UART2-RTS	
PB3	AP-UART2-CTS	
PB4	T-CARD-DET	T CARD
PB5	TP-INT	TP
PB6	GS-INT	G SENSOR
PB7	LS-INT	ALS

PIN	Name	Function
PG0	WL-SDIO-CLK	
PG1	WL-SDIO-CMD	
PG2	WL-SDIO-D0	WLAN
PG3	WL-SDIO-D1	
PG4	WL-SDIO-D2	
PG5	WL-SDIO-D3	
PG6	AP-UART1-TX	
PG7	AP-UART1-RX	
PG8	AP-UART1-RTS	BT
PG9	AP-UART1-CTS	
PG10		
PG11		
PG12		
PG13		

PIN	Name	Function
PH0	LCD-PWM	LCM
PH1	TP-RST	
PH2	TP-SCK	TP
PH3	TP-SDA	
PH4	SENSOR-SCK	SENSOR
PH5	SENSOR-SDA	
PH6	LCD-BL-EN	LCM
PH7	LCD-RST	
PH8	USB-ID	USB
PH9	PA-SHDN	AUDIO PA

PIN	Name	Function
PL0	PMIC-SCK	
PL1	PMIC-SDA	PMIC
PL2	BB-WAKE-AP	
PL3	BB-PWREN	MODEM
PL4	AP-WAKE-BB	
PL5	BB-RST	
PL6	WL-DIS	
PL7	WL-WAKE-AP	
PL8	BT-DIS	WLAN/BT
PL9	BT-WAKE-AP	
PL10	AP-WAKE-BT	
PL11	WL-BT-ENABLE	

	Allwinner Technology Co., Ltd		
	Design Name: A23 Tablet STD		
Size: A3	Page: 13	Rev:	
Title: GPIO ASSIGNMENT			
Date: Tuesday, October 15, 2013	Sheet: 13	of 13	