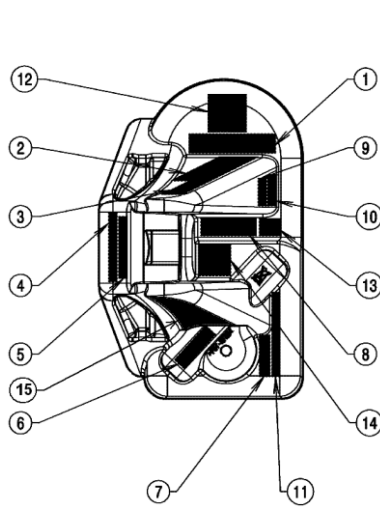




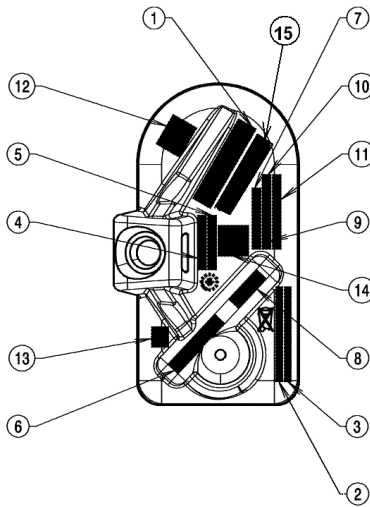
Label and location

no.	description	content
1	additional type designation	optional
2	approval USA (FCC)	FCC ID: YGOTSSRE4UE
3	approval for Canada (IC)	IC: 4008C-TSSRE4UE
4	manufacturer	Huf Model:
5	model designation	TSSRE4Ue
6	serial number (8 hex)	nnnnnnnn
7	frequency	433MHz
8	manufacturing date	dd/mm/yy
9	torque	4 Nm
10	torque	35 in-lbs
11	country of origin	Made in Germany
12	manufacturer logo	symbol
13	approval for Europe	CE symbol
14	data-matrix-code	optional
15	approval Korea	R-CRM-HHF-TSSRE4UE

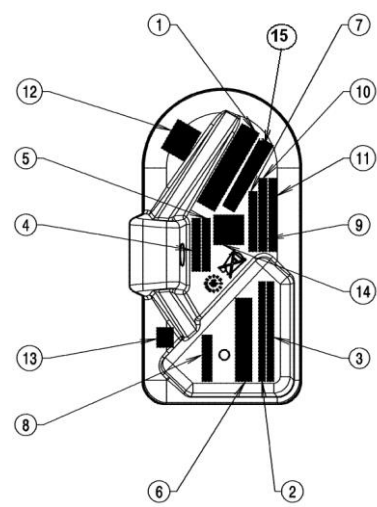
*The labelling will be done by laser marking.



housing M



housing R



housing F



Label and location

*Labeling examples of all 3 housing variants

