

G-LINK

G6

Flush Mount
Connectivity Panel

It's so easy.



G-LINK G6 Flush Mount Connectivity Panel

charge or play

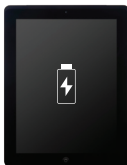
It's so easy!

Bluetooth can be paired to the G6 to stream music from your device to the TV



USB Power to charge everything

HDMI: audio & video through HDMI port



IB30560099

| | |
|---------------|---|
| GLNK-G6-USA | G6, USA receptacles, Bluetooth |
| GLINK-G6-INTL | G6, universal receptacles, Bluetooth, international version |

G6-IRIS2015.04.16

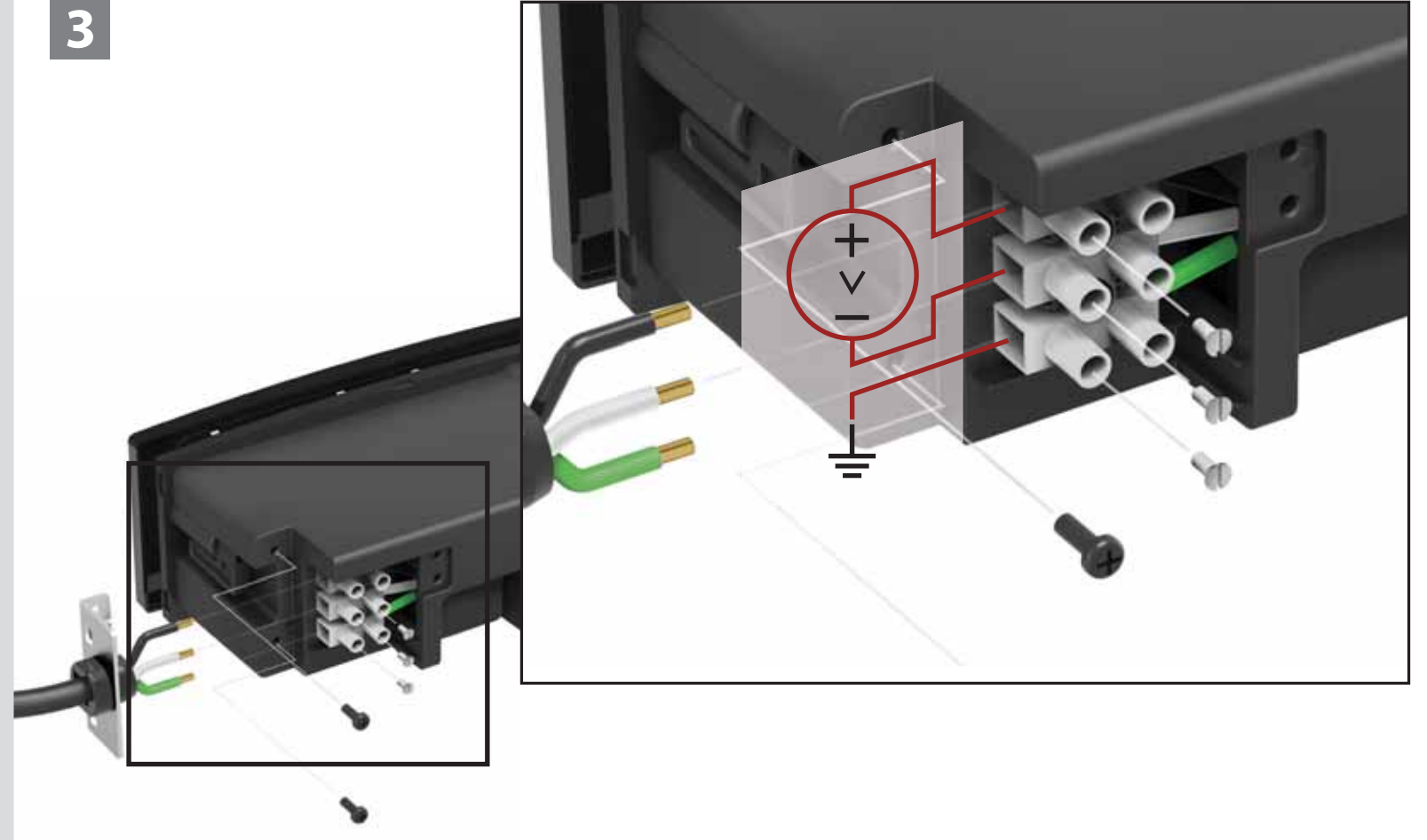
1 Components



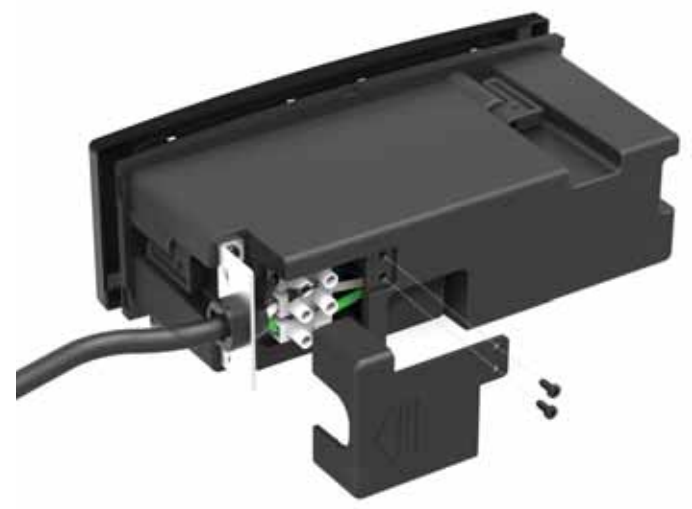
2



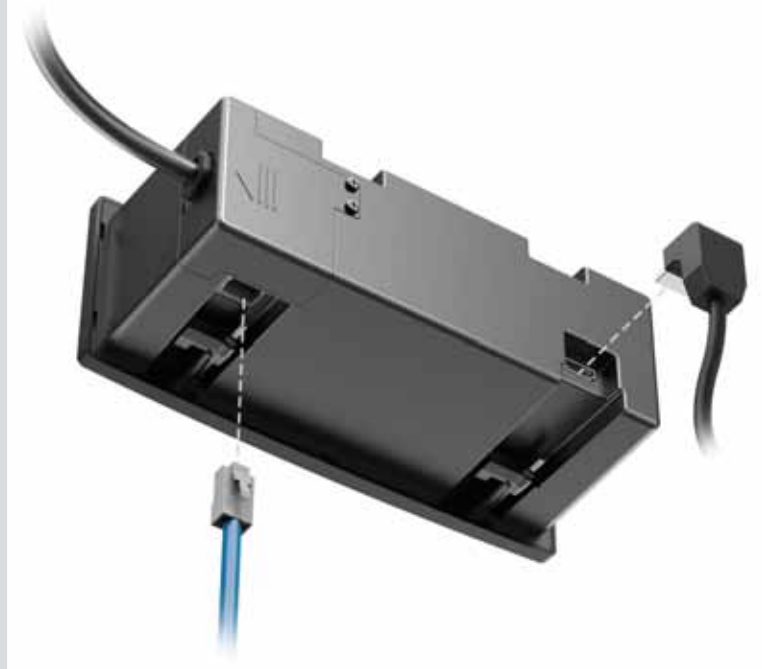
3



4



5



6



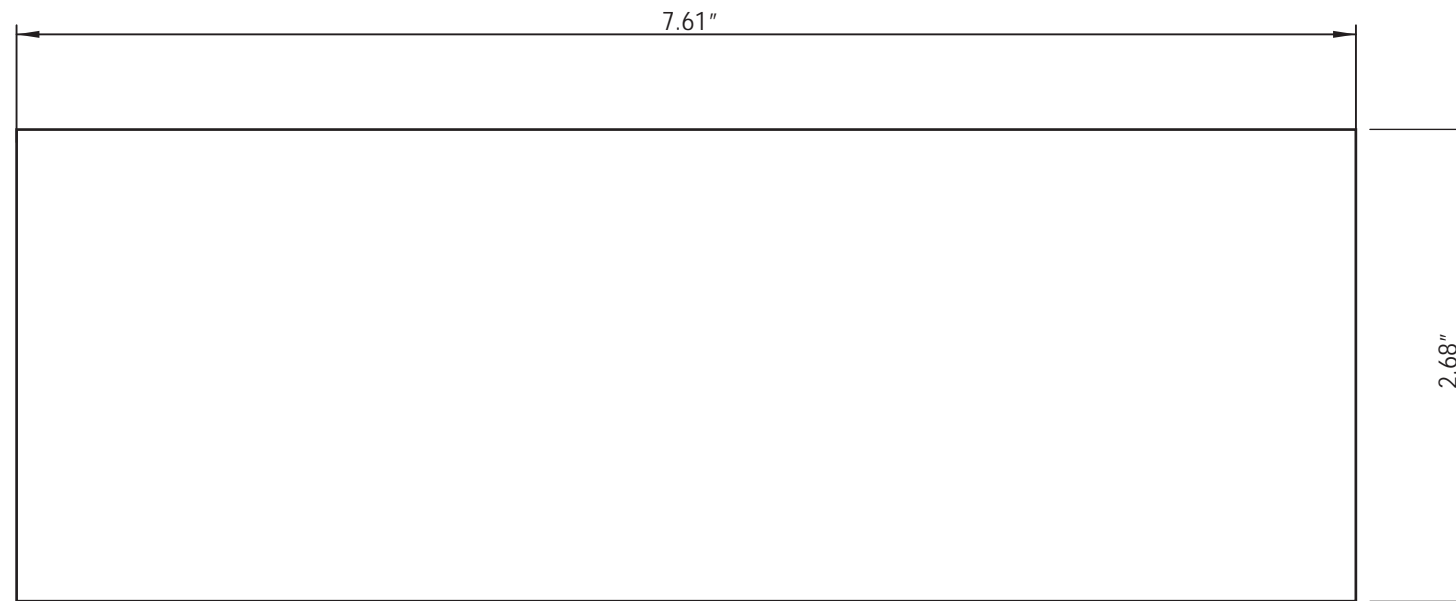
7



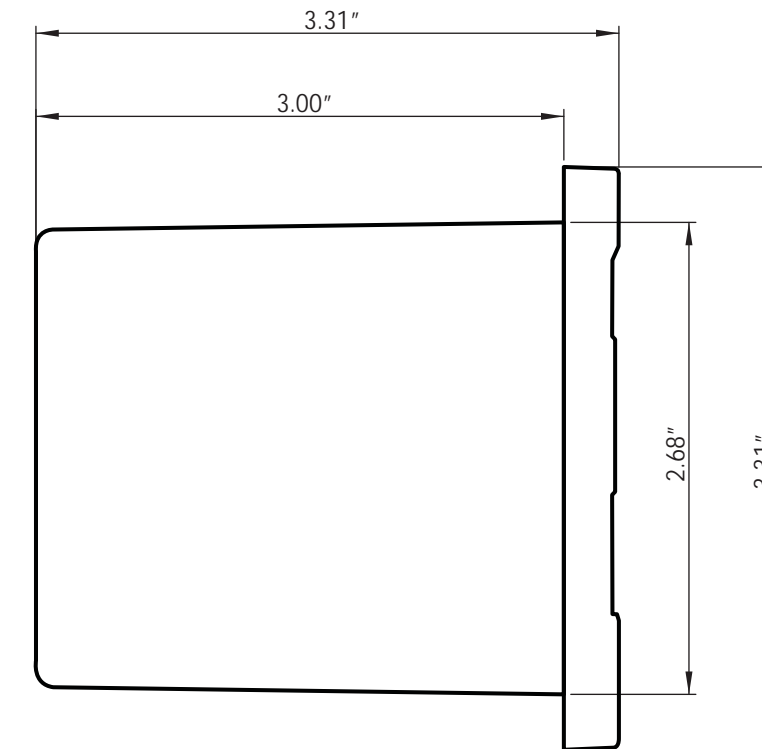
8



G6 wall hole



G6 depth



Important Safety Instructions



Read all safety information and operating instructions before using Obsess to avoid injury. Consult the G-LINK website for updates to the operating instructions, safety and regulatory information.

Failure to follow these safety instructions could result in fire, electric shock or other injury or damage to your equipment or property.

- Read these instructions
- Keep these instructions
- Heed all warnings
- Follow all instructions
- Do not use G6 near water
- Clean only with a dry cloth
- Do not install near any heat sources such as radiators, heat registers, stoves or other devices (including amplifiers) that produce heat.
- Protect the power cord from being walked on or pinched, particularly at the plugs and at the point where they exit G6.
- Only use attachments/accessories specified by the manufacturer.
- Unplug G6 during lightning storms or when unused for long periods of time.
- Do not place open flame sources, such as lighted candles, on or near G6.
- Refer all servicing to qualified service personnel. Servicing is required when G6 has been damaged in any way, such as when the power supply cord or plug is damaged, liquid has been spilled or objects have fallen into G6.
- When plugging-in or unplugging G6 always hold the plug by its sides, keeping fingers away from the metal part of the plug.
- Do not move G6 if connected to another device (such as a TV, Tablet or Smart Phone).
- Do not expose G6 to dripping or splashing and do not place any object filled with liquid on G6.
- Information such as model number, electrical rating and other classifications are located on G6 and the power supply units.

DO NOT ALTER DEVICE OR MAKE REPAIRS YOURSELF!

DO NOT ATTEMPT TO OPEN THE DEVICE OR DISASSEMBLE IT. You run the risk of electric shock if you do so. The limited warranty is voided if the device has been opened or disassembled. No user serviceable parts are inside.

| MODEL NUMBER | DESCRIPTION | MODEL NUMBER | DESCRIPTION |
|--------------|--------------------------------|--------------|---|
| GLNK-G6-USA | G6, USA receptacles, Bluetooth | GLNK-G6-INTL | G6, universal receptacles, Bluetooth, international version |

G6 Flush Mount Connectivity Panel

Quick Install Guide

G-LINK

FEDERAL COMMUNICATIONS COMMISSION INTERFERENCE STATEMENT

This equipment has been tested and found to comply with the limits for a Class B digital device, pursuant to Part 15 of the FCC Rules. These limits are designed to provide reasonable protection against harmful interference in a residential installation. This equipment generates, uses and can radiate radio frequency energy and, if not installed and used in accordance with the instructions, may cause harmful interference to radio communications. However, there is no guarantee that interference will not occur in a particular installation. If this equipment does cause harmful interference to radio or television reception, which can be determined by turning the equipment off and on, the user is encouraged to try to correct the interference by one or more of the following measures:

- Reorient or relocate the receiving antenna.
- Increase the separation between the equipment and receiver.
- Connect the equipment into an outlet on a circuit different from that to which the receiver is connected.
- Consult the dealer or an experienced radio/TV technician for help.

CAUTION:

Any changes or modifications not expressly approved by the party responsible for compliance could void the user's authority to operate the equipment.

This device complies with part 15 of the FCC Rules. Operation is subject to the following two conditions: (1) This device may not cause harmful interference, and (2) this device must accept any interference received, including interference that may cause undesired operation.

FCC RF Radiation Exposure Statement:

1. This Transmitter must not be co-located or operating in conjunction with any other antenna or transmitter.
2. This equipment complies with FCC RF radiation exposure limits set forth for an uncontrolled environment.

This equipment should be installed and operated with a minimum distance of 20 centimeters between the radiator and your body.