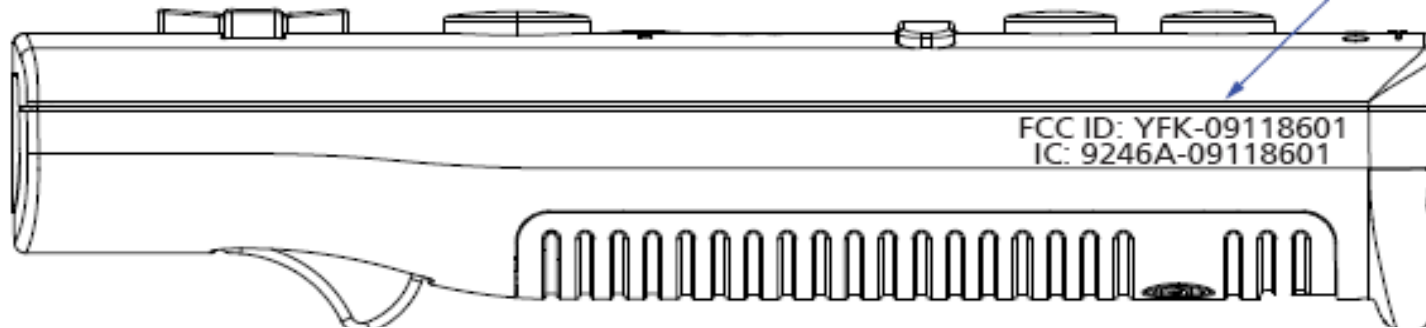
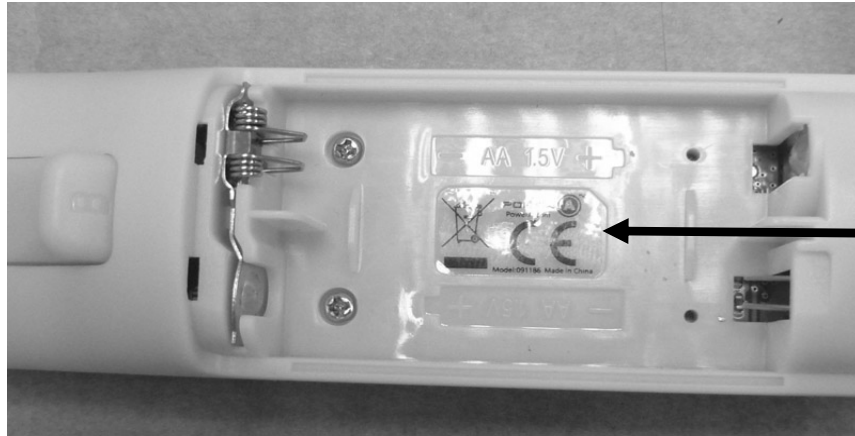


size:17.5x9.5mm

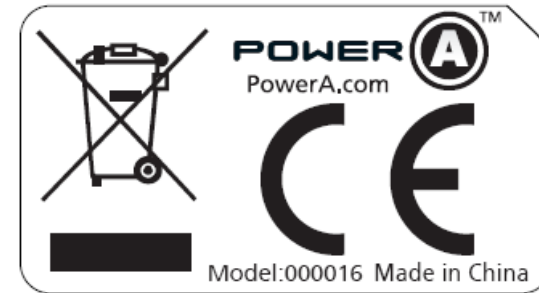


FCC ID: 28.8X2.1mm  
IC: 25.9X2.1mm

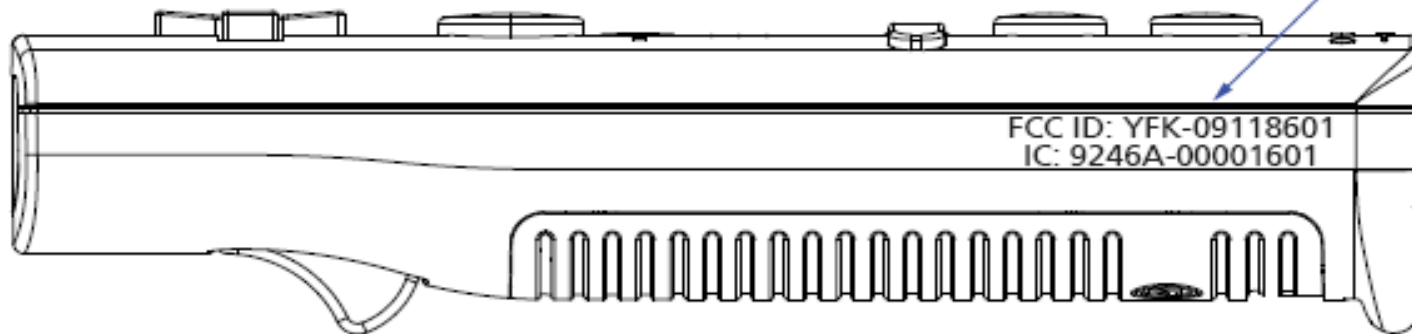


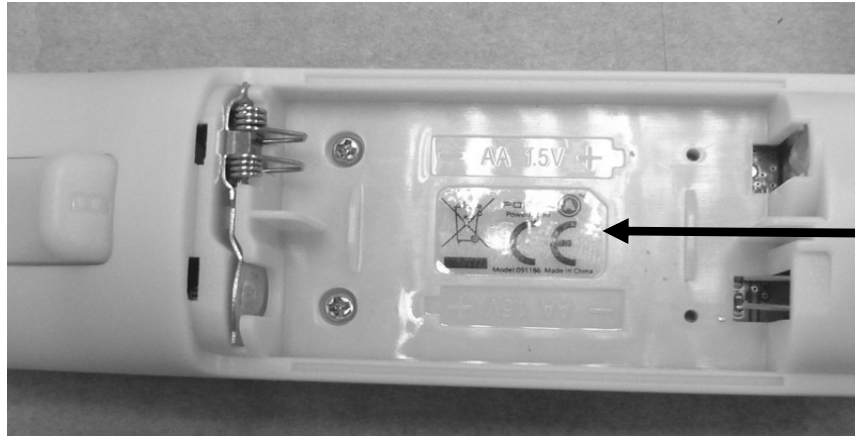


size:17.5x9.5mm



FCC ID: 28.8X2.1mm  
IC: 25.9X2.1mm

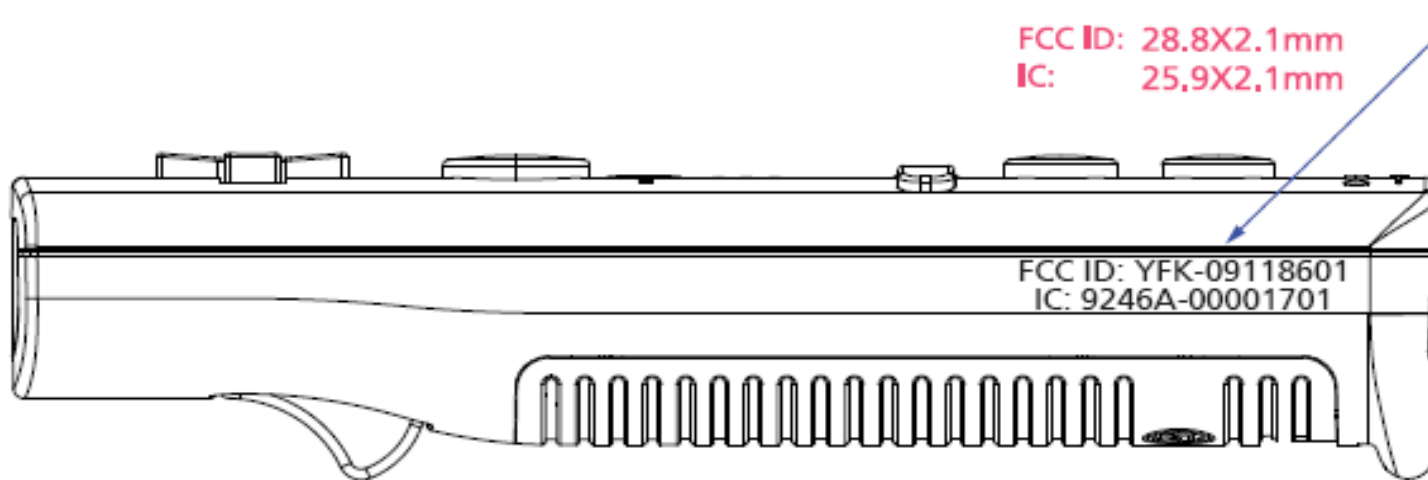




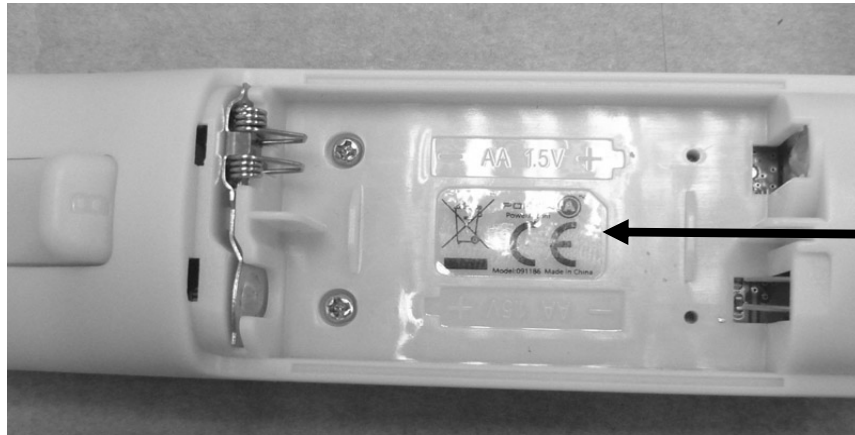
size:17.5x9.5mm

POWER A™  
PowerA.com  
CE  
Model:000017 Made in China

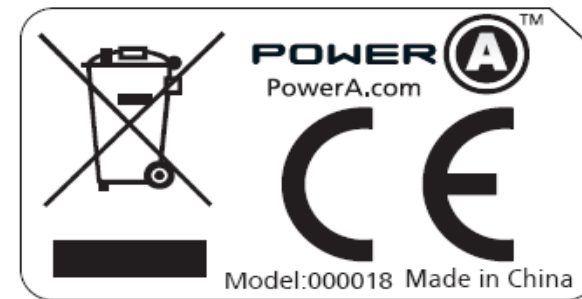
FCC ID: 28.8X2.1mm  
IC: 25.9X2.1mm



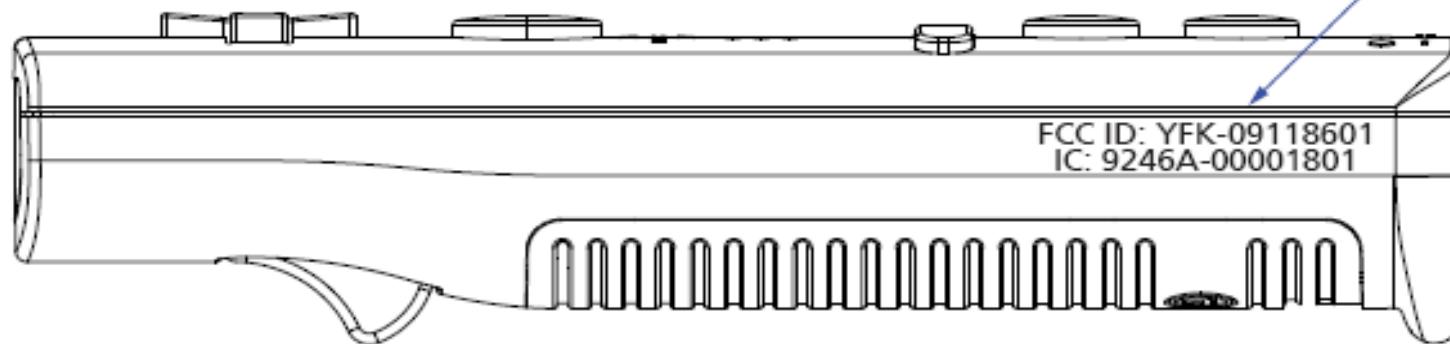
FCC ID: YFK-09118601  
IC: 9246A-00001701

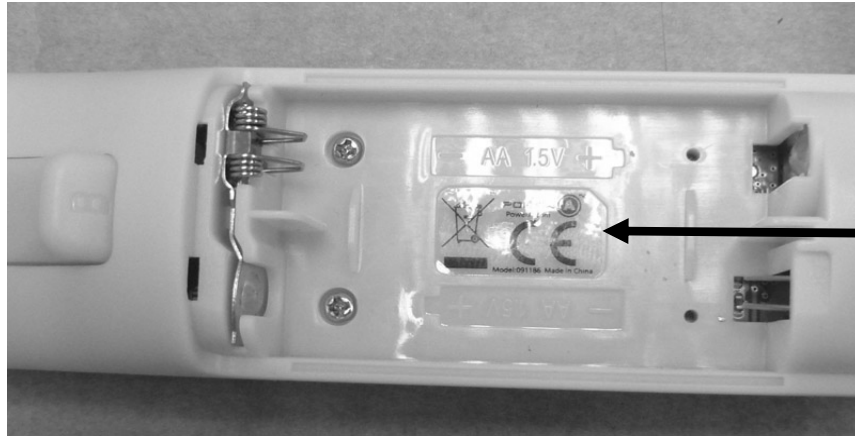


size:17.5x9.5mm

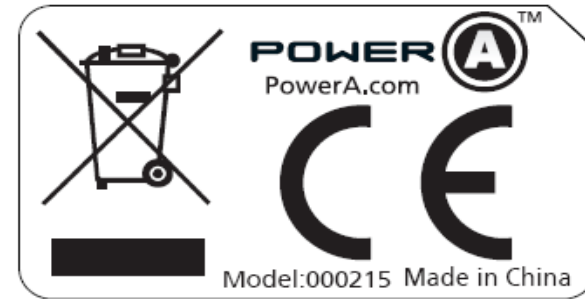


FCC ID: 28,8X2,1mm  
IC: 25,9X2,1mm





size:17.5x9.5mm



FCC ID: 28.8X2.1mm  
IC: 25.9X2.1mm

