

This is a USB Dongle for the PS3 THQ DRAWING PAD which is consisted by a drawing pad and a dongle. The dongle communicates with the drawing pad by wireless function with 75 channels. The dongle is powered by PS3 USB port.

Channel List:

2403 2404 2405 2406 2407 2408 2409 2410 2411 2412 2413 2414 2415
2416 2417 2418 2419 2420 2421 2422 2423 2424 2425 2426 2427 2428
2429 2430 2431 2432 2433 2434 2435 2436 2437 2438 2439 2440 2441
2442 2443 2444 2445 2446 2447 2448 2449 2450 2451 2452 2453 2454
2455 2456 2457 2458 2459 2460 2461 2462 2463 2464 2465 2466 2467
2468 2469 2470 2471 2472 2473 2474 2475 2476 2477

Modulation Type: GFSK

Antenna Type: Integral antenna

The functions of main ICs are mentioned as below.

Main Board:

- 1) U1 acts as 8-bit microprocessor.
- 2) U2 acts as 2- Wire Serial EEPROM.
- 3) U3 acts as 2.4G RF module.

RF Module:

- 1) U1 acts 2.4 RF Chip.
- 2) X1 acts as 16MHz oscillator for U1.

Document Title

Denomination: 2.4G RF Module

Part No.: TH2G4M23

Circuit Diagram Version

Part No.	Function	Version
TH2G4M23	2.4G RF Module	V1.0

Revision History

Revision No.	History	Auther	Date
V1.0	Issue	Amber Huang	2010/12/04

CONFIDENTIAL

Low Power High Performance 2.4GHz RF Module

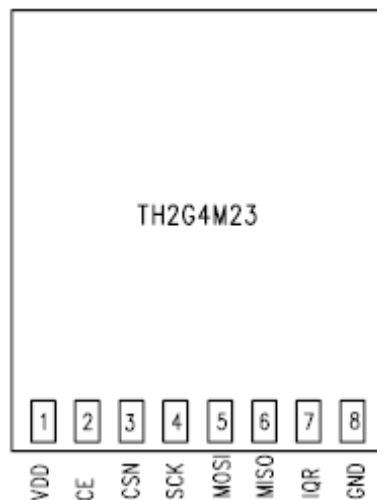
Features

- 2400-2483.5MHz ISM band operation
- Support 1 and 2 Mbps air data rate
- Programmable output power (-40dBm to 5dBm)
- Low power consumption
- Variable payload length from 1 to 32bytes
- Automatic packet processing
- 6 data pipes for 1:6 star networks
- 1.9V to 3.6V power supply
- 4-pin SPI interface with maximum 8MHz clock rate

Applications

- Wireless PC peripherals
- Wireless mice and keyboards
- Wireless gamepads
- Wireless audio
- Remote controls
- Toys
- Home automation
- Personal health and entertainment

Pin Information



TH2G4M23 pin assignments (top view)

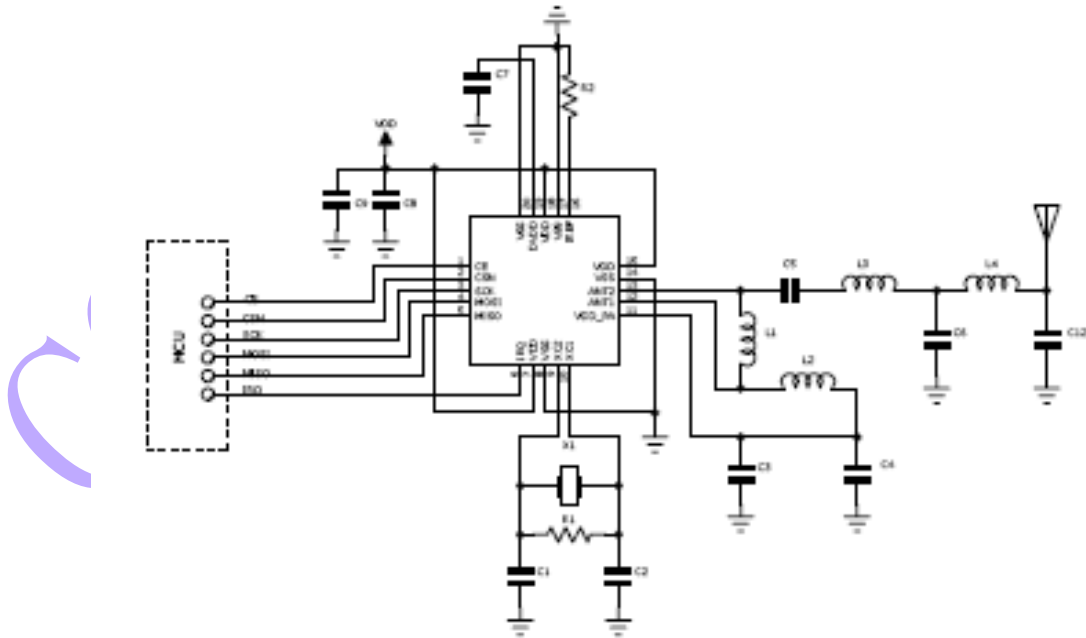
PIN	Name	Pin Function	Description
1	VDD	Power	Power Supply (1.9V to 3.6V DC)
2	CE	Digital Input	Chip Enable Activates RX or Tx mode
3	CSN	Digital Input	SPI Chip Select, Active low
4	SCK	Digital Input	SPI Clock
5	MOSI	Digital Input	SPI Slave Data Input
6	MISO	Digital Output	SPI Slave Data Output with tri-state option
7	IQR	Digital Output	Maskable Interrupt pin, Active low
8	GND	Ground	Ground (0V)

Electrical Specifications

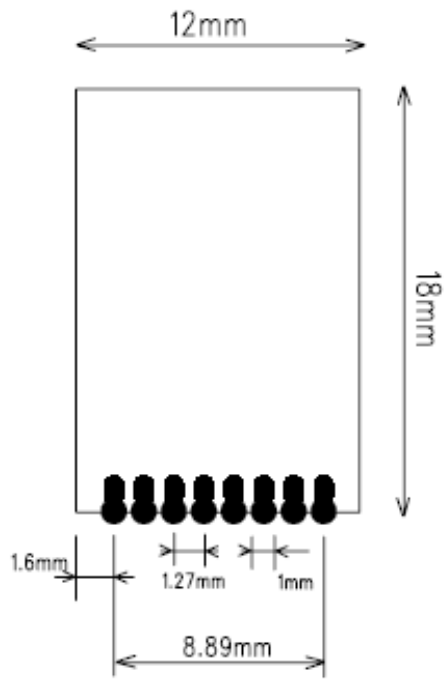
Name	Parameter(Condition)	Min	Typical	Max	Unit	Comment
Operating Condition						
VDD	Voltage	1.9	3.0	3.6	V	
TEMP	Temperature	-40	+27	+85	℃	
Digital input Pin						
VIH	High level	0.7VDD		5.25	V	
VIL	Low level	VSS		0.3VDD	V	
Digital outputPin						
VOH	Highlevel(IOH=-0.25mA)	VDD-0.3		VDD	V	
VOL	Low Level(IOL=0.25mA)	0		0.3	V	
Normal condition						
IVDD	Power Down current			3	uA	
IVDD	Standby-I current			50	uA	
IVDD	Standby-II current			400	uA	
Normal RF condition						
FOP	Operating frequency	2400		2527	MHz	
FXTAL	Crystal frequency		16		MHz	
RFSK	Air data rate	1		2	Mbps	
Transmitter						
PRF	Output power	-40	0	5	dBm	
PBW	Modulation 20 dB bandwidth(2Mbps)		2.5		MHz	
PBW	Modulation 20 dB bandwidth(1Mbps)		1.3		MHz	
PRF1	Out of band emission 2 MHz		-20		dBm	
PRF2	Out of band emission 4 MHz		-40		dBm	
IVDD	Current at -40 dBm output power		11		mA	
IVDD	Current at -30 dBm output power		11		mA	
IVDD	Current at -25 dBm output power		12		mA	
IVDD	Current at -10 dBm output power		13		mA	

IVDD	Current at -5 dBm output power	15	mA
IVDD	Current at 0 dBm output power	17	mA
IVDD	Current at 5 dBm output power	23	mA
Receiver			
IVDD	Current (2Mbps)	18	mA
IVDD	Current (1Mbps)	17	mA
Max Input	1 E-3 BER	10	dBm
RXSSENS	1 E-3 BER sensitivity(2Mbps)	-85	dBm
RXSSENS	1 E-3 BER sensitivity(1Mbps)	-88	dBm
C/ICO	Co-channel C/T(2Mbps)	4	dB
C/I1ST	ACS C/I 2MHz(2Mbps)	-5	dB
C/I2ND	ACS C/I 4MHz(2Mbps)	-20	dB
C/I3RD	ACS C/I 6MHz(2Mbps)	-25	dB
C/ICO	Co-channel C/T(1Mbps)	4	dB
C/I1ST	ACS C/I 1MHz(2Mbps)	4	dB
C/I2ND	ACS C/I 2MHz(2Mbps)	-18	dB
C/I3RD	ACS C/I 3MHz(2Mbps)	-19	dB

Application Schematic



PCB Size



CONFIDENTIAL