

6.2 Status LEDs

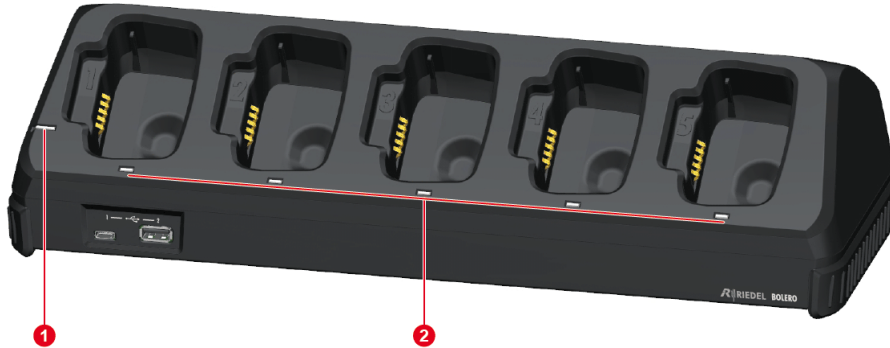


Figure 224: Charger – Status LEDs (top)

1	System	off	No input power
		orange	Booting / rebooting
		green	Charger ready
		green blinking	Firmware update of the <i>Charger</i> in progress
2	Slot (1 ... 5)	orange fast blinking	Charger is reset to factory settings (all LEDs)
		off	Slot empty, not charging
		red blinking	Charging, battery level <20%
		orange blinking	Charging, battery level 20 ... 90%
		green blinking	Charging, battery level >90%
		green	Battery 100% charged
		red flashing	Failure (power off)
		red	Failure (temperature too low/high)
		New in 3.1	Battery 100% charged, battery life <60%
		green, orange flashing	

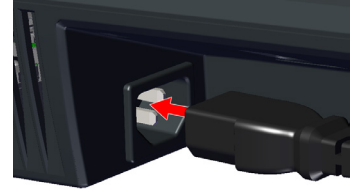


Figure 225: Charger – Status LED (rear)


3	Ethernet	off	No data connection
		green	Data connection ok
		green blinking	Data connection ok, traffic

6.3 Charging Batteries

- Connect the Charger to mains.
The System-LED indicates the overall status.








- Push the Beltpack or the battery in one charging slot.

 The Beltpacks' radio is switched off when the Beltpack is plugged into the Charger.



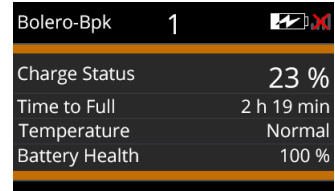
- The charging procedure will start automatically.
- The corresponding Slot-LED indicates the charging state:

	red blinking	below 20%
	orange blinking	20 ... 90%
	green blinking	above 90%
	permanent green	100%
	green, orange flashing	100%, battery life <60%

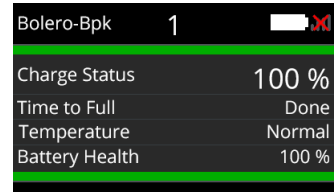


- The Beltpack's display shows the charging state.

The charging time may double or triple if the Beltpack is either too hot or too cold.



- When the Beltpack is fully charged, the display shows the following content.
- Remove the Beltpack or battery out of the Charger.



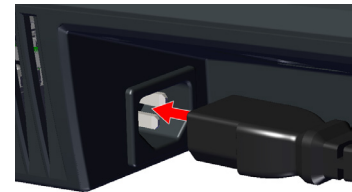
6.4 Firmware Update

This chapter describes the update procedure of Bolero Beltpacks, S-Beltpacks and Chargers. The following devices are required:


- ✓ Bolero-Charger
- ✓ USB pen drive (Type A or Type C)
- ✓ Beltpack firmware package (for example "Bolero_v3.0.x.package")
- ✓ Bolero-Beltpacks/S-Beltpacks to be updated

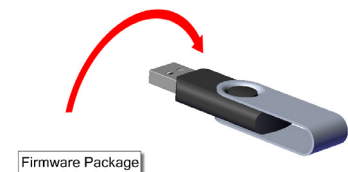
It is possible to update the firmware of up to five (S-)Beltpacks in one Bolero-Charger. As long as a USB flash drive with valid firmware package is connected to the Charger, the Charger functions as an update station. Any number of (S-)Beltpacks can be inserted into the charger, which are then updated one after another. The update process will take approximately 8 min per (S-)Beltpack. The (S-)Beltpacks are charged simultaneously while updating.

- Connect the Charger to mains.



- Copy the new firmware package to the root directory of a USB pen drive.
- Make sure that the name starts with "Bolero" and ends with ".package".

	Only one package is allowed to be stored in the root directory.
---	---



- Put the (S-)Beltpacks into any charging slots.
- Take care that the USB rubber cover is not pulled out.
- The charging process is independent of the update procedure and indicated by the respective slot LED.

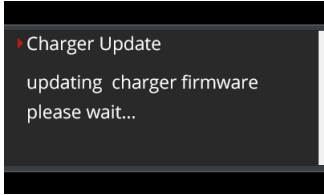


- Plug the pen drive into the respective USB slot (type A or type C) on the front side of the Charger.



- At first, the **Charger's** firmware will be updated.
During this process the Charger's Status-LED will blink green.
- Then the Charger will be restarted.
During this process the Charger's Status-LED will light orange.
- The current process will be also displayed on the Beltpacks' display.

If the firmware update of the **Charger** has been completed, the status LED of the charger lights up green permanently.

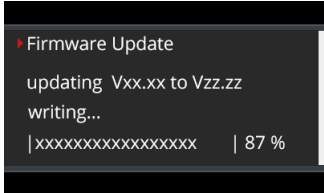


- Then, the **(S-)Beltpacks'** firmware will be updated.
Beltpack:
 - The current '(Vxx.xx)' firmware version is shown in the display.
 - The new '(Vzz.zz)' firmware version is shown in the display.
 - The current process (pending, starting, erasing, writing and verifying) and a progress bar is shown in the display.

S-Beltpack:

New in 3.1

- The key LEDs 1+2 are blinking orange alternately.
- The slot LED of the charger still indicates the charging status.

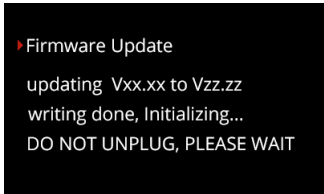


- Finally the (S-)Beltpack will be initialized, restarted and finalized.
Beltpack:
 - The current '(Vxx.xx)' firmware version is shown in the display.
 - The new '(Vzz.zz)' firmware version is shown in the display.
 - The current process is shown in the display.

S-Beltpack:

New in 3.1

- The key LED 1 or 2 is orange.
- The slot LED of the charger still indicates the charging status.



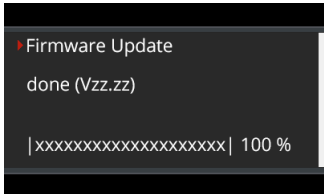
Caution: Do not remove the (S-)Beltpacks from the charging slots during this process.

- The firmware update is terminated.
Beltpack:
 - The display shows 'done' and the new firmware version '(Vzz.zz)'.

S-Beltpack:

New in 3.1

- The key LEDs 1+2 are green.
- The slot LED of the charger still indicates the charging status.



	<p>The order of plugging the Beltpacks and the USB stick doesn't matter.</p>
---	--

It may happen that a Bluetooth update starts after removing the Beltpack from the charging slot. This will take a few minutes.

6.5 Technical Drawing

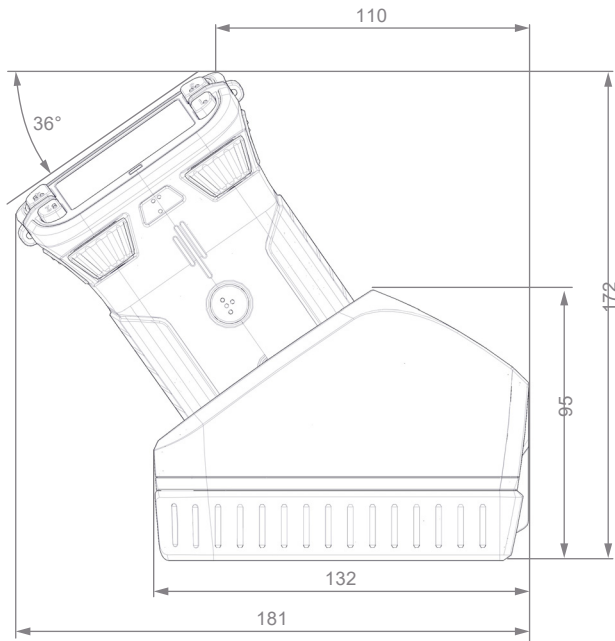


figure 226: Charger (right), dimensions in millimeter

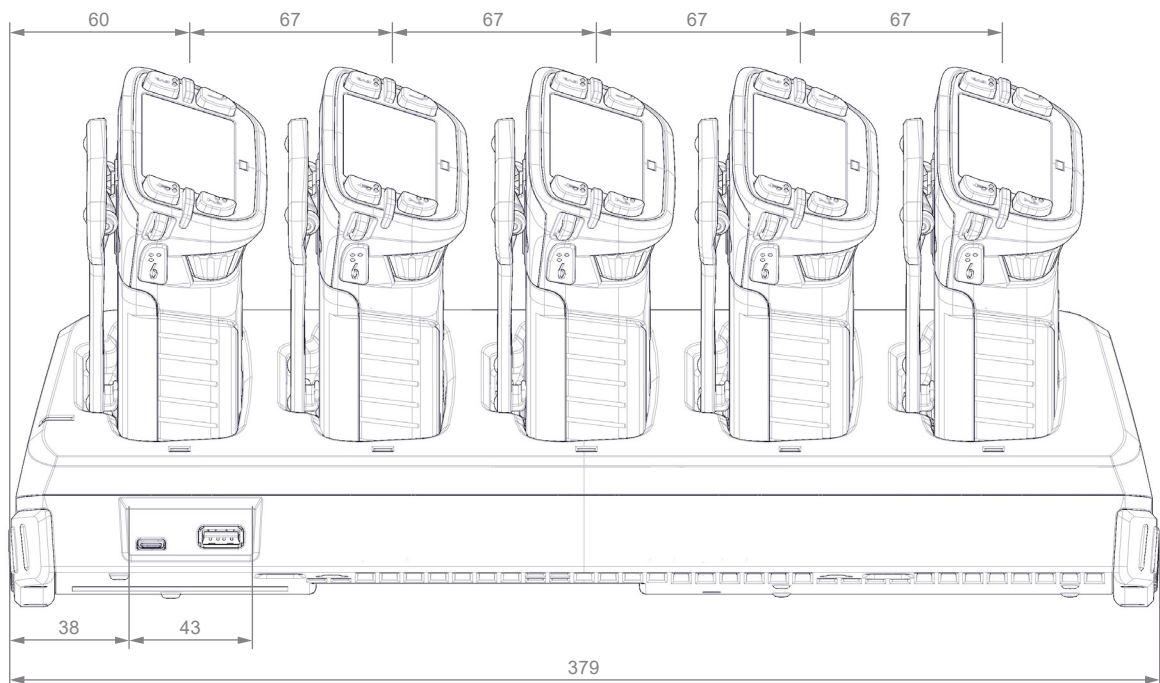


figure 227: Charger (front), dimensions in millimeter

6.6 Technical Specifications

Charger Product Code	BL-CHG-1005-R	
No of Beltpack slots	5	
Beltpack Charge Time	Up to 3 hours	
Charge status LEDs	1 per charge slot	
Beltpack Display	% charged, time to full, temperature, battery health	
USB Type-A / USB Type-C Connection	<ul style="list-style-type: none"> • For firmware update • For charging a Beltpack, a phone, etc. via cable • Max. 1.8 A (each port) 	
Power Socket	1x IEC	
Power Supply	100 ... 230 VAC / 50 ... 60 Hz	
Power Consumption	≤60 W, ≤205 BTU/hr (charging 5 Beltpacks)	
Heat dissipation	≤20 W, ≤68 BTU/hr (charging 5 Beltpacks)	
Mounting	Stand-alone table mount, 2x wall mounts or 19" rack via optional accessory kit "BL-RMK-1002-01" (1430045)	
Dimensions	Width	380 mm / 15"
	Height	95 mm / 3.8"
	Depth	135 mm / 5.3"
Weight	1140 g	
Operating Environment	Ambient Temperature	0° ... +45°C
	Humidity	20 % ... 90 % rel. (non-condensing)
Storage Temperature	-20° ... +70°C	

7 Bolero EPS-1001

The BL-EPS-1001 is an external power supply for a single Bolero Antenna. The 2.5 m XLR power cable of the power supply is attached to the XLR power connector of the Bolero Antenna and can supply only the Antenna where the EPS-1001 is attached.

Protect the device from splash water and moisture. The housing is intended for indoor usage. Included are four interchangeable AC plug types for Europe, US, UK and Australia.



Figure 228: BL-EPS-1001

XLR-4 (female)

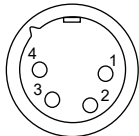


Figure 229: XLR-4 female

Pin	Description
1	-PWR
2	-
3	-
4	+PWR (12 VDC / 1.5 A)

7.1 Technical Specifications

Product code	BL-EPS-1001-00	
No of supplied Devices	1	
Input	Voltage	100 ... 240 VAC
	Frequency	50 / 60 Hz
	Current	max. 0.7 A / 100 VAC, 0.4 A / 230 VAC
Output	Voltage	12±3% VDC
	Current	1.5 A
	Power	max 18 W
Efficiency Level	86%, typical at 230 VAC full load	
Operating Environment	Ambient Temperature	-10° ... +50°C
	Humidity	20 % ... 90 % rel. (non-condensing)
Storage Environment	Ambient Temperature	-20° ... +85°C
	Humidity	10 % ... 95 % rel.
Dimensions	Width	43 mm / 1,7"
	Height	40.5 mm / 1.6"
	Depth	81 mm / 3.2"
Approvals	CE, UL, FCC, C-Tick, CCC, TÜV, CB	
Weight	150 g	

8 Bolero EPS-1005

The BL-EPS-1005 is an external high-performance power supply for Bolero Antennas in Standalone/Link mode. The 2.5 m XLR power cable of the power supply is attached to the middle of up to five Bolero Antenna and can supply two additional daisy-chained Antennas at the CAT5-Link port. The external power supply allows various mounting options like wall-mount, pole-mount and 5/8 thread. The housing is weatherproof for indoor and outdoor usage.



Figure 230: BL-EPS-1005

XLR-4 (female)

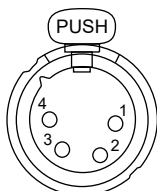


Figure 231: XLR-4 female

Pin	Description
1	GND
2	Data -
3	Data +
4	+PWR (57 VDC / 2.6 A)

8.1 Power Concept

2:1:2 Power Concept

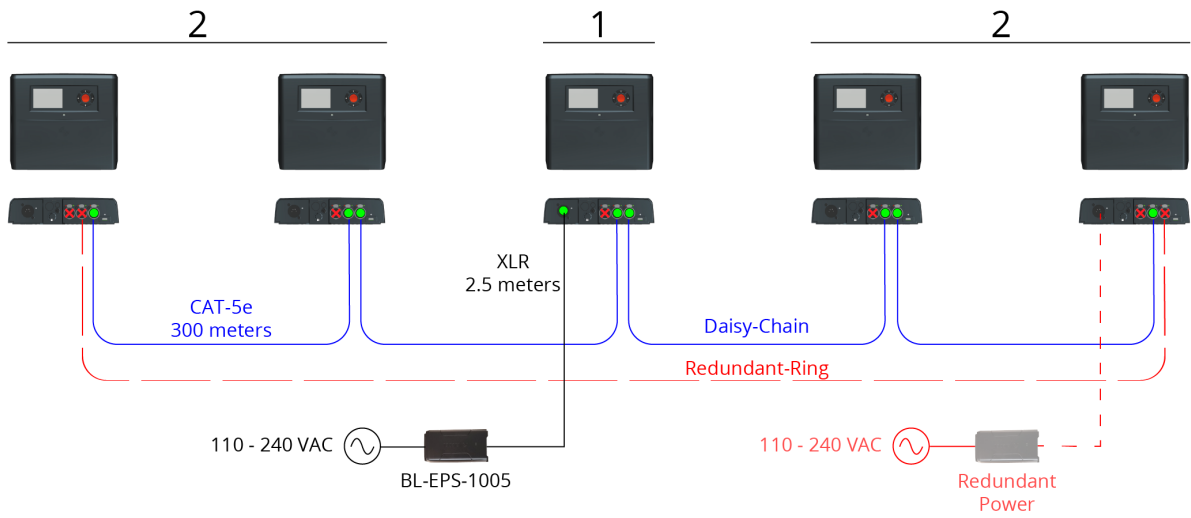


Figure 232: BL-EPS-1005 – Power Concept

Cable Type	Link: CAT-5e / Power: special XLR
Maximum Cable Length	Link: 300 m (1000 feet) / Power: 2.5 m (8 feet)
Maximum Resistance between two Antennas	17 Ohm
Maximum Remote Power Configuration	2:1:2

8.2 Status LEDs



Figure 233: BL-EPS-1005 – Status LED (top)



Figure 234: Antenna – Status LEDs (bottom)

1	EPS-1005 Power LED	off	Not connected to mains power.
		green	Power supply provides power for the connected Antenna and up to four remote Antennas.
		orange	Power supply provides power but Antenna is either not connected or did not acknowledge power for remote antennas yet.
		red	Power supply does not provide power although mains power is connected. Check cabling for shorts and power cycle device.
2	Antenna Power LED	off	No XLR input power
		green	XLR input power ok
3, 4	Antenna LINK PWR LED	off	No remote power (neither outgoing nor incoming).
		orange	Remote power is provided to power other Antennas (outgoing power).
		green	The Antenna uses remote power as main power-supply (incoming power).

8.3 Technical Drawing

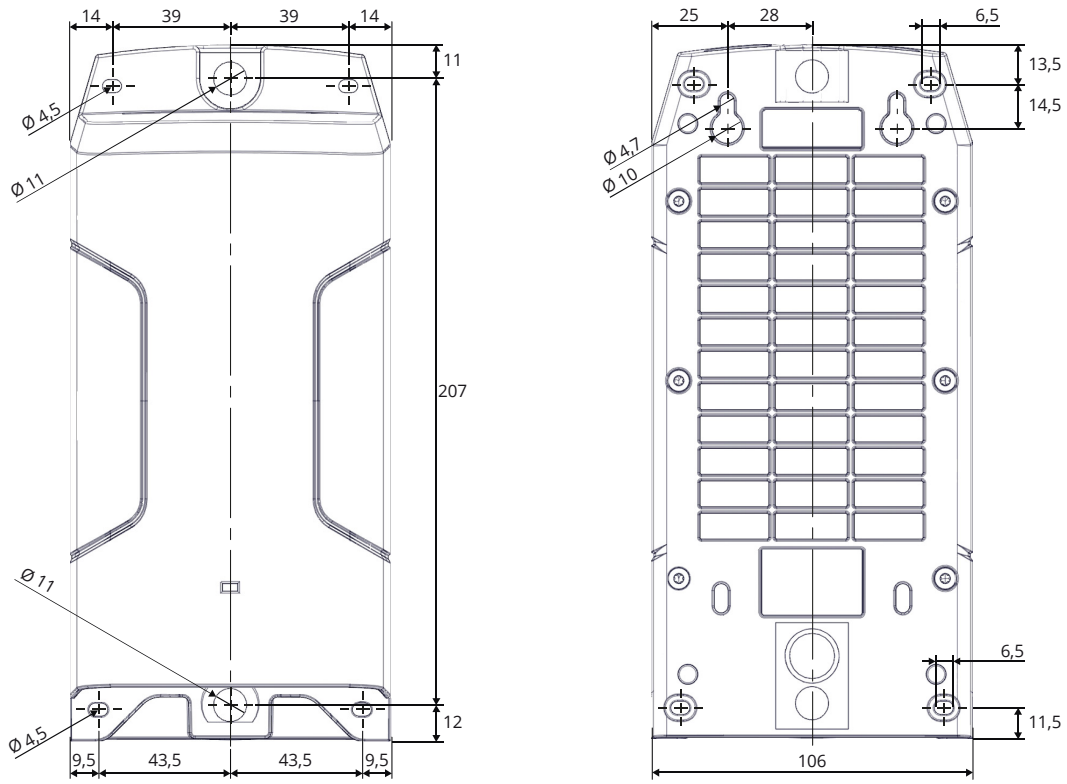


Figure 235: BL-EPS-1005 (top, bottom), dimensions in millimeter

8.4 Technical Specifications

Product code	BL-EPS-1005-00	
No of supplied Devices	5	
Input	Voltage	100 ... 240 VAC
	Frequency	50 / 60 Hz
	Current	max. 2 A / 100 VAC, 0.8 A / 230 VAC
Output	Voltage	57±5% VDC
	Current	1.5 A @ 40°C / max. 2.6 A @ 25°C
	Power	max 85 W @ 40°C / max. 150 W @ 25°C
	Cable / Connectors	Only the original XLR-4 cable may be used. The length of 2.5 meter must not be extended.
Efficiency Level	>90%, typical at 230 VAC full load	
Operating Environment	Ambient Temperature	-10° ... +40°C
	Humidity	0 % ... 90 % rel. (non-condensing)
Storage Environment	Ambient Temperature	-20° ... +85°C
	Humidity	10 % ... 95 % rel.
Dimensions	Width	106 mm / 4,2"
	Height	230 mm / 9.1"
	Depth	63 mm / 2.5"
Mounting Options	Wall mount, pole mount with clamp (not included), 5/8" thread	
Protection Class	IP53	If mounted vertically, with plugs facing downwards (XLR + IEC plugged).
	IP51	If mounted horizontally, with plugs facing sideways (XLR + IEC plugged).
Approvals	CE, ETL, CB, FCC	
Safety	IEC62368-1 + PSE, EAC, BSMI	
Weight	1030 g	

9 Bolero Drawer

The Bolero Drawer is intended for installations in 19" racks and in which two Bolero chargers (BL-CHG-1005-R) can be placed.

9.1 Technical Drawing

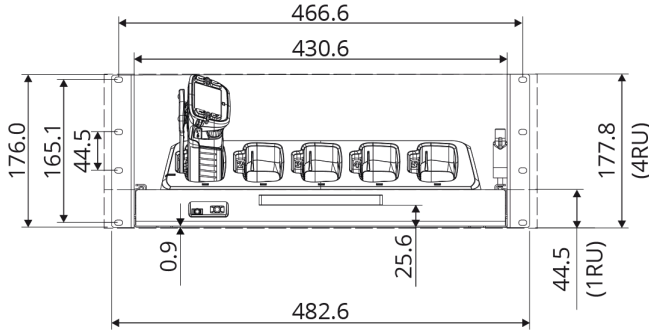


figure 236: Drawer (front), dimensions in millimeter

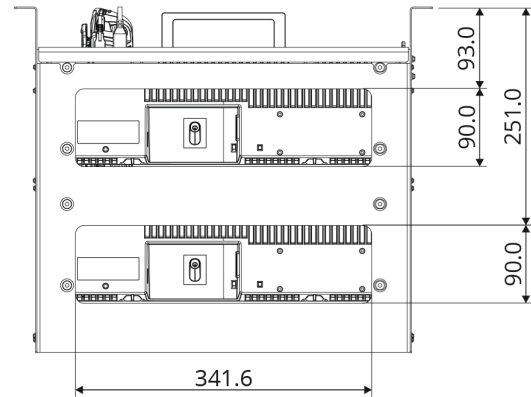
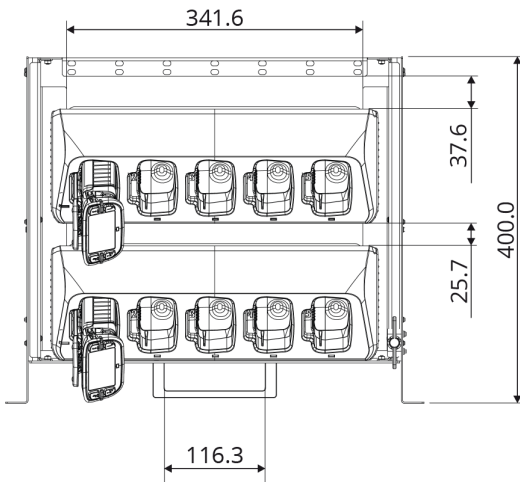


figure 237: Drawer (top, bottom), dimensions in millimeter

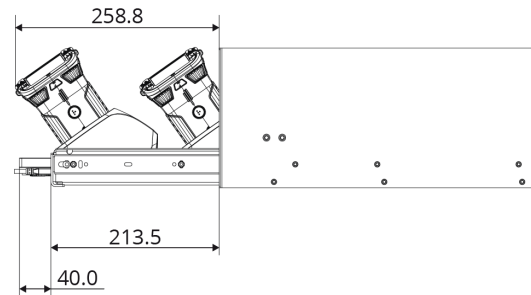
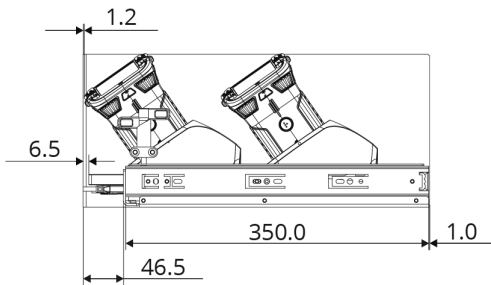


figure 238: Drawer (side retracted, expanded), dimensions in millimeter

9.2 Technical Specifications

Drawer Product code	BL-RMK-1002-00	
No of Chargers	2	
Operating Environment	Ambient Temperature	0° ... +45°C
	Humidity	20 % ... 90 % rel. (non-condensing, Ta=40°C)
Dimensions	Width	482.6 mm / 19"
	Height	177.8 mm / 7" (4RU)
	Depth	400 mm / 15.75"
Mounting options	19" rack	
Slider hold in	Rear and front position	
Slider transport lock	Yes	
Approval	CE	
Weight	4.9 kg	

10 Appendix

10.1 Glossary

ANT	Antenna
ARI	A ccess R ight I ntity allows identifying a system or service provider.
BL-EPS	B olero E xternal P ower S upply
BPK	Beltpack
CHG	Charger
DECT	DECT (D igital E nhanced C ordless T elecommunications) is an international standard for cordless radio communications.
DSCP	A DSCP (D ifferentiated S ervices C ode P oint) is a packet header value that can be used to request (for example) high priority delivery for traffic.
NFC	N ear- F ield C ommunication is a transmission standard that enables wireless data transfer.
NTP	N etwork T ime P rotocol is a networking protocol for clock synchronization between computer systems over packet-switched networks.
OTA	O ver T he A ir
PTP	P recision T ime P rotocol is a network protocol for synchronization of clock settings of multiple devices in a network.
RPN	R adio fixed P art N umber
Vox	V oice O perated eX change, is a switch that operates when sound over a certain threshold is detected.

10.2 Maintenance Recommendations

Following points are strongly recommended to prevent malfunction of the system.

Every six months

Charge the batteries at least every six months to avoid deep discharge, which could damage the batteries.

10.3 Service

If you have any further questions, we offer comprehensive customer service options for this product including:

- Telephone Service
- Email Service
- Fax Service
- Configuration Support
- Trainings
- Repair

Your primary point of contact for any service issues is your local dealer.

In addition, Riedel Customer Service in Wuppertal, Germany is also available to assist you.

Telephone: +49 (0) 202 292 9400
(Monday - Friday, 8am – 5pm, Central European Time)

Fax: +49 (0) 202 292 9419

Or use the contact form on our website:
www.riedel.net > [Services](#) > [Support](#)

For repairs, please contact your local dealer. Your dealer will be able to help process your repair as fast as possible and/or arrange for the delivery of spare parts.

The address for repairs sent directly to Riedel Communications GmbH is:

Riedel Communications GmbH & Co. KG
- Repairs -
Uellendahler Str. 353
D-42109 Wuppertal
Germany

Please add a completed repair form to all your repairs.

The form can be found at the Riedel website:

www.riedel.net > [Services](#) > [Repairs](#)

10.4 Notes

Index

- 2 -

- 2.4G Antenna (new in 3.1) 169
- 2.4G Beltpack (new in 3.1) 124

- 3 -

- 3.5mm Jack female 126

- 4 -

- 4-Wire 47, 49

- A -

- About Bolero 15
- Action Button (Antennas) 34
- Action Button (Audio Channels) 80
- Action Button (Beltpacks) 55
- Action Button (IO Devices) 47
- Action Button (Partylines) 78
- Action Button (Profiles) 74
- Action Button (System Logs) 91
- Action Button (Triggers) 89
- Active Licenses 42
- Add Beltpacks (Registration) 149
- Add Devices (Registration) 101
- Add IO Devices 48
- Add Selected Antennas/Devices to Network Space 35
- Adjacent Device 45
- Admin (Submenu, Beltpack) 140
- Admin PIN 33, 34, 35
- Advanced Radio Monitoring 109
- Allow Multi-Registration 58
- Always-On 82
- AlwaysOn (Edit Beltpacks) 67
- Antenna 53
- Antenna (Technical Drawing) 177
- Antenna (Technical Specifications) 178
- Antenna NFC 151
- Antenna OTA 150
- Antenna Radio Scanner 109
- Antenna RF 39
- Antennas (Web Interface Antenna) 33
- Append ID 76
- Assign Hardware 48
- Assigned Net 51
- Audio 46
- Audio (Edit Beltpacks) 59
- Audio (Submenu, Beltpack) 134
- Audio Channels 47, 49, 79
- Audio Port 90

- Audio Usage (Edit Audio Channels) 87

- Audio Usage (Edit Beltpacks) 72

- Auto-assign User IDs 55

- Automatic Net Change 58

- Aux Input 59

- B -

- Battery 53, 156
- Battery (S-Beltpack) 165
- Battery Charging in the Charger 157
- Battery Health 73
- battery life (new in 3.1) 181
- Beep 85
- Beep Signalization 57
- Beltpack (Technical Drawing) 160
- Beltpack (Technical Specifications) 161
- Beltpack NFC 151
- Beltpack Profiles 30
- Beltpack Radio Monitoring 113
- Beltpack-Cover 159
- Beltpacks (Web Interface Antenna) 53
- BL-EPS-1001 (Technical Specifications) 188
- BL-EPS-1005 (Power Concept) 190
- BL-EPS-1005 (Status LEDs) 191
- BL-EPS-1005 (Technical Drawing) 192
- BL-EPS-1005 (Technical Specifications) 193
- Bluetooth 63, 65
- Bluetooth (Beltpack) 146
- Bluetooth (new in 3.1) 61, 134, 139, 146, 161
- Bluetooth (Submenu, Beltpack) 139
- Bluetooth State (Beltpack) 147
- Bluetooth-Pairing (Beltpack) 148
- Bluetooth-Sharing Audio (Beltpack) 148
- Bolero Antenna 169
- Bolero Beltpack 124
- Bolero Charger 179
- Bolero EPS-1001 187
- Bolero EPS-1005 189
- BPs 74
- Brightness (Submenu, Beltpack) 136
- Brightness Mode 58, 143
- BT State 61
- BT/Line Input VOX Dim 61

- C -

- Call 57
- Call LED Brightness 58
- Capacity Max 73
- Change Device Name 48
- Change Profile 55, 76
- Channel Number 79

- Charge Status 73
- Charger (Technical Drawing) 185
- Charger (Technical Specifications) 186
- Charging Batteries (Charger) 182
- Charging Batteries (via USB) 156
- Charging sockets Pinout 126, 163, 180
- Checking the Firmware Version 14
- Chinese Beltpack Menu (new in 3.1) 57, 138
- Classifications 119
- Clear Assigned Net 48
- Clear Logs 91
- Clear Pre-Registered Nets 55
- Clear Selected User IDs 55
- Clock Accuracy 123
- Clock Class 123
- Clock Variance 123
- Configuration Support 197
- Connected To 46, 51
- Connection Status 51, 73
- contact 197
- Control Multicast IP (new in 3.1) 40
- Copy AudioChannels Config 80
- Copy Beltpack Profile 74
- Copy Configuration to Profile (new in 3.1) 55
- Create Beltpack Profile 74
- Create IO Device Configuration 47
- Create Network Space with Selected Antennas/Devices 34
- Create Partyline 78
- Create Virtual Trigger 89
- Current Faults 90
- Custom Settings 58

- D -

- Daily Maintenance Recommendations 196
- Date Format 33, 35
- DC power supply 170
- Deregister 55
- De-Registration (Beltpacks) 152
- De-Registration (Remove Antennas) 103
- De-Registration (Remove Beltpacks) 104
- De-Registration (Remove Devices) 103
- Description (new in 3.1) 40, 42, 49, 51
- Destination 63, 82, 83, 84, 85
- Device 90
- Device Id 89
- Device Status 42
- Diagnostics File Export 92
- Diagnostics File Export(Web Interface Antenna) 94
- Dim Level 61
- Direct Edit 53
- Discover By 46

- Display 58
- Display Dim 58
- Display Dim Timer 58
- Display Mode 57
- Display Mode (Beltpack) 145
- Display Timeout 58
- Disposal 8
- Drawer (Technical Drawing) 194
- Drawer (Technical Specifications) 195

- E -

- Edit 46, 53, 74, 77, 79, 88
- Edit (Antennas) 39
- Edit (Audio Channels) 80
- Edit (Beltpacks) 56
- Edit (IO Devices) 49
- Edit (Partylines) 78
- Edit (Profile) 75
- Edit (Triggers) 89
- Edit Network Space 35
- Edit Network Space (General) 35
- Email 197
- Enable 60
- Enable Beltpack Radio Monitoring 55
- Enable Network Space RF 33, 35
- Enable Radio Scanner 38
- Enable Timeout 38
- Enabled 77, 78, 81, 89
- Environment 8
- Error (Authentication) 45
- Error (Cabling) 45
- Error (Version) 45
- Ethernet Link Speed 42
- Event Log 90
- Events 90
- Export Events to CSV 91
- External Key 1,2 65
- External PTT 166

- F -

- Factory Reset 92
- Factory Reset (Beltpack) 155
- Factory Reset Selected Antennas/Devices 37
- Fan / dust Filters Maintenance Recommendations 196
- Fault List 90
- Fault Status 90
- Faults List 90
- Fax 197
- Firmware Manager 30, 92
- Firmware Manager (Web Interface Antenna) 93
- Firmware Update 48, 126, 163, 180

Firmware Update (Antenna) 105
 Firmware Update (Beltpack) 159
 Firmware Update (Charger, Beltpacks, S-Beltpacks) 183
 Firmware Update (S-Beltpack) 167
 Firmware Update Key LED 1+2 (new in 3.1) 184
 Firmware Version 14
 Firmware-Version 14
 Force Off 89
 Force On 89
 Frequency Deviation 43
 Frequency Hopping Mode (new in 3.1) 35
 Function 63
 Function to add 82, 83, 84, 85
 FW Version 51

- G -

General 47, 49, 76, 81
 General (Edit Antennas) 39
 General (Edit Beltpacks) 56
 General (Edit Network Space) 35
 General Maintenance Recommendations 196
 General Settings 35
 General Settings (Submenu, Beltpack) 137
 Glossary 196
 GPI Number 88

- H -

Headphone Filter 60
 Headset 59
 Headset connector Pinout 126, 163
 Headset Echo Suppression 60
 Headset Limiter 59
 Headset Lower Limit 59
 Headset Mic 59
 Headset Type 57
 Headset Type (Beltpack) 142
 History section (Antennas) 111
 History section (Beltpacks) 115
 Hops 43
 HW Name 51

- I -

Id 46, 47, 49, 53, 74, 77, 78, 89
 IGMP snooping (v2 or v3) 119
 Impedance 45
 In and Out 47, 49
 Index 89
 info 76
 Info (Antennas) 42
 Info (Beltpacks) 73
 Info (IO Devices) 51

Info/Low Battery 57
 Input 47, 49
 Input 1 ... 3 47, 49
 Input Gain 81
 Integrated/Artist 19
 Integrated/Artist Mode 43, 171
 Integrated/Artist Setup 26
 Internal Mic 59
 Internal Time/Date 35
 IO Device 79, 88
 IO Device Configurations 46
 IO Device ID 79, 88
 IO-Devices (Web Interface Antenna) 46
 IP 42, 51
 IP Address Mode 39

- K -

Key 1 ... 6 63
 Key 1...6 65
 Key Functions (Antenna) 175
 Key Functions (Beltpack) 129
 Key Functions (S-Beltpack) 165
 Keys 58
 Keys (Edit Beltpacks) 62
 Keys Dim 58
 Keys Dim Timer 58
 Keys Timeout 58

- L -

Language 57
 Last Conn. 53
 License Installation (Antenna) 117
 License Manager 92
 License Manager(Web Interface Antenna) 94
 Link 1/2 45
 Link Up 45
 Listen (Low/High Prio) 63
 Listen (Low/High Prio) 82, 83, 84, 85
 Local Sync Info 44
 Locate 46, 53, 55
 Locate IO Device 48
 Lock Keys 145
 Lock State 43
 Login/Logout 30
 Login/Logout (Web Interface Antenna) 32
 Logout 92
 Logout (Web Interface Antenna) 95

- M -

MAC 42, 51
 Main Menu 76

Main Menu (Beltpack) 134
Main-Menu (Antenna) 176
Maintenance Recommendations 196
Master 43, 52, 63, 65
Master Priority "None" (new in 3.1) 40
Menu 57, 76
Menu Shortcut 63
Mic Limiter 59
Microphone Filter 60
Mode 63, 65, 89
Monitor Trigger 63
Monthly Maintenance Recommendations 196
Multicast IP 33, 35, 47, 49
Mute Input 81
Mute Output 81

- N -

Name 34, 35, 39, 46, 47, 49, 51, 53, 56, 73, 74, 76, 77, 78, 79, 81, 88, 89
Net Mask 42
Net Name 46
Net Override (new in 3.1) 37
Net-Name/Antenna 30
Network Delay 43
Network Requirements (new in 3.1) 121
Network Service 92
Network Service (Web Interface Antenna) 95
Network Size 119
New Functions 11
new in 3.1 (Copy Configuration to Profile) 55
new in 3.1 (2.4G Antenna) 169
new in 3.1 (2.4G Beltpack) 124
new in 3.1 (battery life) 181
new in 3.1 (Bluetooth) 61, 134, 139, 146, 161
new in 3.1 (Chinese Beltpack Menu) 57, 138
new in 3.1 (Control Multicast IP) 40
new in 3.1 (Description) 40, 42, 49, 51
new in 3.1 (Firmware Update Key LED 1+2) 184
new in 3.1 (Frequency Hopping Mode) 35
new in 3.1 (Master Priority "None") 40
new in 3.1 (Net Override) 37
new in 3.1 (Network Requirements) 121
new in 3.1 (Noise Gate) 60, 81
new in 3.1 (Open Beltpack Monitor) 56, 113
new in 3.1 (Open Radio Scanner) 38, 109
new in 3.1 (Override) 41
new in 3.1 (Partyline Reply) 57
new in 3.1 (PTP Grandmaster Selection) 123
new in 3.1 (Radio Retransmit Level) 35
new in 3.1 (S-Beltpack Key LEDs 1+2) 167
new in 3.1 (Show on Reply) 57, 78

new in 3.1 (Update Name) 76
new in 3.1 (Walk Test 2.4G Beltpacks) 141, 153
NFC 38
No Connection 45
Noise Gate (new in 3.1) 60, 81
Normal 89
Notes 198
Notification 144
Notification/Beep 57, 83, 84, 85
NSA-002A Integration 96
NTP Server 33, 35

- O -

Off 47, 49
Offset 35
On-Notification 85
On-Notification/Beep (Edit Beltpacks) 70
On-Talk 84
On-Talk (Edit Beltpacks) 69
On-Vox (Edit Audio Channels) 86
On-VOX (Edit Beltpacks) 71
Open Beltpack Monitor (new in 3.1) 56, 113
Open Radio Scanner (new in 3.1) 38, 109
Opening the Rubber Cover 155
Operating Elements (Antenna) 170
Operating Elements (Beltpack) 125
Operating Elements (Charger) 179
Operating Elements (S-Beltpack) 162
OTA 38
Out Of Range 57
Outgoing Power 45
Output 47, 49
Output 1 ... 3 47, 49
Output Gain 81
Override (new in 3.1) 41
Own Clock class 43

- P -

Package Version 14, 42
Package-Version 14
Pair (Beltpack) 148
Pair 1 ... 6 47, 49
Partyline Reply (new in 3.1) 57
Partylines 77
Pending (Remote Net) 45
Plug - Activate Headset 57
PoE+ (IEEE 802.3at) 119
Port State 52
Power Concept (BL-EPS-1005) 190
Power Source 42
Power Supply Maintenance Recommendations 196

Power Supply pinout 187, 189
 Preface 7
 Priority 1 123
 Priority 2 123
 Priority Dim 59, 81
 Profil ID 76
 Profil Name 76
 Profile 38, 53, 73
 Profile Defaults (Beltpack) 155
 Profiles (Beltpack) 143
 Profiles (Web Interface Antenna) 74
 PTP Domain 33, 35
 PTP Grandmaster Selection 123
 PTP Grandmaster Selection (new in 3.1) 123
 PTP Hybrid Mode 35
 PTP Master Priority 39
 PTP Slave Only 35
 PTP State 43
 PTP Status 43
 PTPv2 (IEEE 1588) boundary/transparent clock 119

- Q -

QoS (IEEE 802.1p), based on DiffServ (RFC 2474) 119
 Quick Menu 76
 Quick Menu (Beltpack) 133
 Quick Menu (Edit Beltpacks) 66
 Quick Mute 76
 Quick-Mute (Beltpack) 132

- R -

Radio Activated 42
 Radio Retransmit Level (new in 3.1) 35
 Reboot Selected Antennas/Devices 38, 48
 Receiver State 52
 Recording Time 57
 Registered Beltpacks 30
 Registration 76
 Registration (Add Beltpacks) 149
 Registration (Add Devices) 101
 Registration (Submenu, Beltpack) 139
 Registration Method 33, 38
 Registration Mode 38, 55
 Remote Network Space 45
 Remote Power Index 44
 Remote Power Supported 44
 Remove Antennas (De-Registration) 103
 Remove Beltpacks (De-Registration) 104, 152
 Remove Config 48
 Remove Devices (De-Registration) 103
 Remove Selected Antennas/Devices 37
 Remove selected Partylines 78

Remove Selected Profiles 74
 Remove Virtual Trigger 89
 Removing the Belt Clip 158
 Repair 197
 Replacing the Battery 158
 Reply 63, 65
 Requirements 119
 Reset 76
 Reset (Beltpack) 155
 Reset to Defaults 80
 RF Strength Level 33, 35
 Riedel Serial 42
 RJ45 171, 180
 Rotaries (Edit Beltpacks) 65
 Rotary 1,2 65

- S -

Save Net Config 92
 Save Net Config (Web Interface Antenna) 92
 S-Beltpack (Technical Drawing) 167
 S-Beltpack (Technical Specifications) 168
 S-Beltpack Charging (in the Charger) 166
 S-Beltpack Charging (via USB) 165
 S-Beltpack Key LEDs 1+2 (new in 3.1) 167
 Select Hardware to assign 48
 Select IO Device Config 48
 Select Network Space 35
 Sender State 52
 Serial 46, 73
 Serial Number 51
 Service 8, 197
 Service (Submenu, Beltpack) 141
 Set Trigger 63, 82, 83, 84, 85
 Severity 90
 Share to net 61
 Share to Net (Beltpack) 148
 Show Active Only 88
 Show on Reply (new in 3.1) 57, 78
 Sidetone 59
 Silent Mode 57, 144
 Snapshot section (Antennas) 112
 Snapshot section (Beltpacks) 116
 Source Port ID 123
 Speaker 142
 Speaker Lower Limit 59
 Standalone Status 44
 Standalone/AES67 (2110) 17
 Standalone/AES67 Mode 43, 171
 Standalone/AES67 Setup 20
 Standalone/Link 18
 Standalone/Link Mode 44, 171

Standalone/Link Setup 23
Start 90
Startup (Antenna) 174
Startup (Beltpack) 128
State 45, 88
Static Gateway 39
Static IP Address 39
Status LED Brightness 58
Status LEDs (Antenna) 173
Status LEDs (Beltpack) 127
Status LEDs (BL-EPS-1005) 191
Status-LEDs (Charger) 181
Status-LEDs (S-Beltpack) 164
Store Time 57
Stored Licenses 42
Submenu Admin (Beltpack) 140
Submenu Audio (Beltpack) 134
Submenu Bluetooth (Beltpack) 139
Submenu Brightness (Beltpack) 136
Submenu General Settings (Beltpack) 137
Submenu Registration (Beltpack) 139
Submenu Service (Beltpack) 141
Subnet Mask 39
Swap Configs 55
Switch Recommendations 119
Symbols 8
Sync Master 44
Sync Master Priority 39, 44
System 76
System Logs 30
System Logs (Web Interface Antenna) 90
System Mode 17, 33, 34, 35
System Settings 76

- T -

Talk (Low/High Prio) 63, 82, 83, 84, 85
Technical Drawing (Antenna) 177
Technical Drawing (Beltpack) 160
Technical Drawing (BL-EPS-1005) 192
Technical Drawing (Charger) 185
Technical Drawing (Drawer) 194
Technical Drawing (S-Beltpack) 167
Technical Specifications (Antenna) 178
Technical Specifications (Beltpack) 161
Technical Specifications (BL-EPS-1001) 188
Technical Specifications (BL-EPS-1005) 193
Technical Specifications (Charger) 186
Technical Specifications (Drawer) 195
Technical Specifications (S-Beltpack) 168
Telephone 197
Temperature 42, 73

Test 76
Time / Frequency Traceable 43
Time Format 33, 35
Time Offset 43, 52
Time Settings 35
Time Source 33, 35
Timeout 38
Timestamp 90
Toggle Setting 63
Trainings 197
Trash Icon 82
Trigger 46, 83
Trigger (Edit Beltpacks) 68
Triggers 47, 49
Type 42, 46, 47, 49, 73, 79, 88, 90

- U -

Unassign Hardware 48
Unassigned / Unconnected IO Devices 46
Unlatch Keys 55
Unplug - Activate Speaker 57
Update Name 76
Update Name (new in 3.1) 76
Upload Net Config 92
Upload Net Config (Web Interface Antenna) 93
USB Power 73
USB Type-A 180
USB Type-C 126, 163, 172, 180
Use Admin PIN for OTA Registration 38
User Id 39, 56, 73
User Rights 74

- V -

Ventilation 8
Version 43
Voice Signalization 57
Voltage 8
Volume 60, 61
Volume Adjustment (Beltpack) 131
Volume Change 57
Volume Keys 57
Volume Menu 76
VOX Mode 60
VOX Threshold 59

- W -

Walk Test 153
Walk Test (Beltpack) 153
Walk Test 2.4G Beltpacks (new in 3.1) 141, 153
Walk Test Pro 154
Web Interface (Antenna) 30

Weekly Maintenance Recommendations 196

- X -

XLR-4 female 187, 189

XLR-4 male 126, 163, 170

- Y -

Yearly Maintenance Recommendations 196

