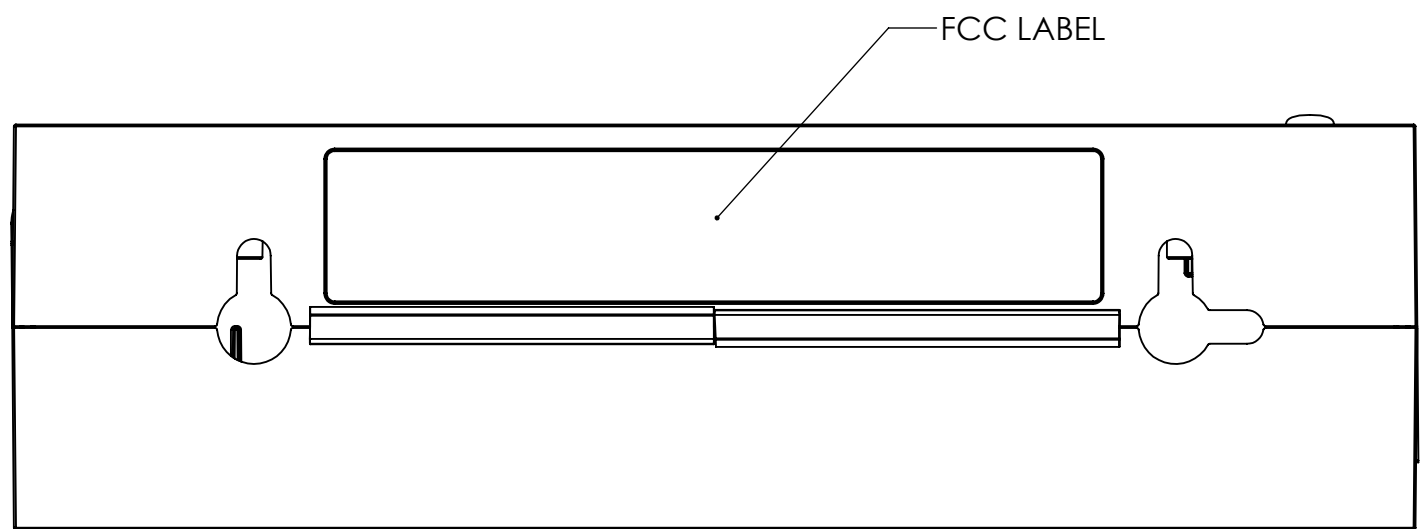
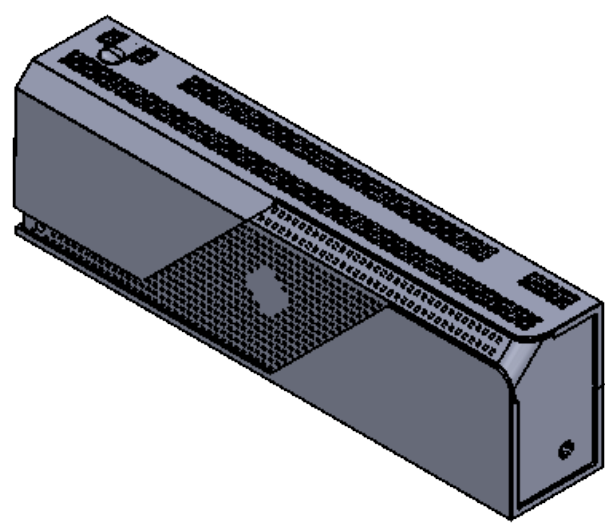
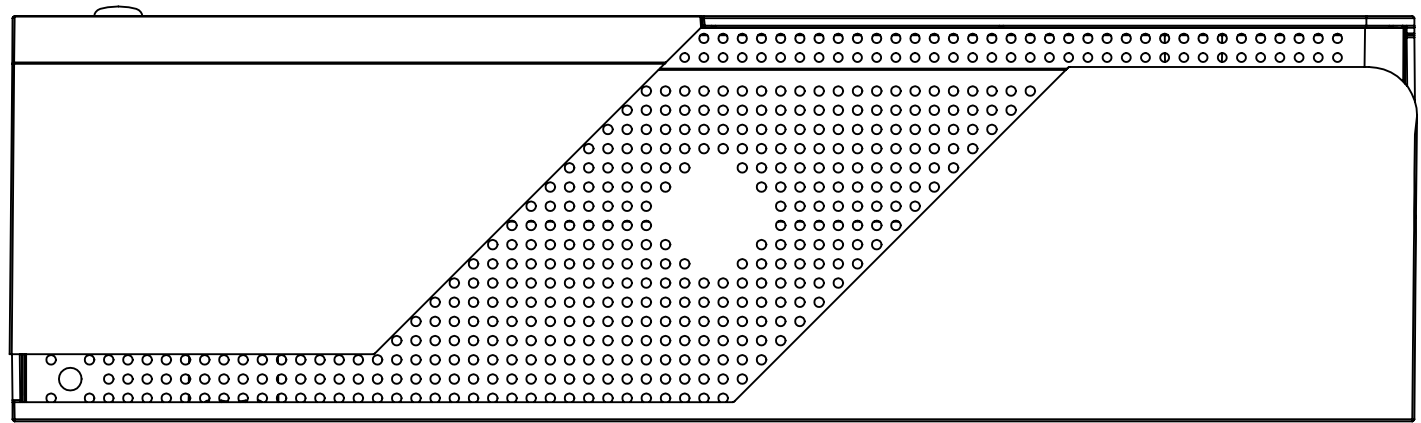


4

3

2

1



FCC LABEL

B

B

A

A

4

3

2

1

PROPRIETARY AND CONFIDENTIAL
 THE INFORMATION CONTAINED IN THIS DRAWING IS THE SOLE PROPERTY OF POWERCAST CORPORATION. ANY REPRODUCTION IN PART OR AS A WHOLE WITHOUT THE WRITTEN PERMISSION OF POWERCAST CORPORATION IS PROHIBITED.

UNLESS OTHERWISE SPECIFIED:	NAME	DATE
DIMENSIONS ARE IN INCHES	DRAWN	
TOLERANCES:	CHECKED	
FRACTIONAL: ±1/32	ENG APPR.	
ANGULAR: ±0.5°	MFG APPR.	
TWO PLACE DECIMAL ±0.01	Q.A.	
THREE PLACE DECIMAL ±0.005	COMMENTS:	
INTERPRET GEOMETRIC TOLERANCING PER: GD&T		
MATERIAL		
FINISH		
DO NOT SCALE DRAWING		



TITLE:		
TX-91503		
SIZE	DWG. NO.	REV
B	FCC_LABEL	
SCALE: 1:1 WEIGHT:		SHEET 1 OF 1