

# PCR91502-M Host System Integration Description

FCC ID: YESPCR91502-M

Powercast Corporation

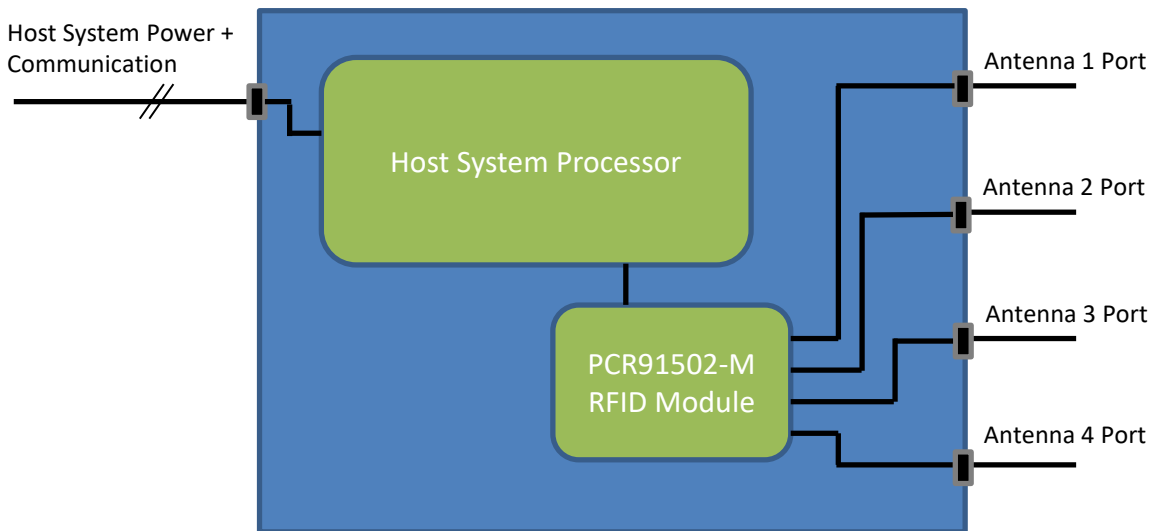
## Introduction

The PCR91502-M is a UHF RAIN RFID Reader module intended to be integrated into other host systems. The Powercast PCR91502-M RAIN RFID Reader module will operate as a frequency hopping device under FCC 15.247. The device is designed to comply with FCC 15.247 by using frequency hopping. The reader module's air interface protocol adheres to EPCglobal® UHF Class 1 Gen 2 / ISO 18000-63 RFID.

## Host System Integration Description

The PCR91502-M device is intended to be integrated into a host system. The host system may include a processor that communicates with and controls the PCR91502-M RFID module. RF connections from the PCR91502-M RFID module may be brought out to the external sides of the host system enclosure.

## Host System Enclosure



## Installation Details

The host system is anticipated to be a fixed (permanently located with an antenna that's affixed to a structure so that it can't be easily relocated) system installed in a server room style environment. One or more antennas shall be connected via cables from the host system enclosure.

RFID tag devices in the operating environment will communicate back with the reader module by passively backscattering the received RF.

Installation of the host system devices is performed by professionals and is supervised by Powercast personnel .