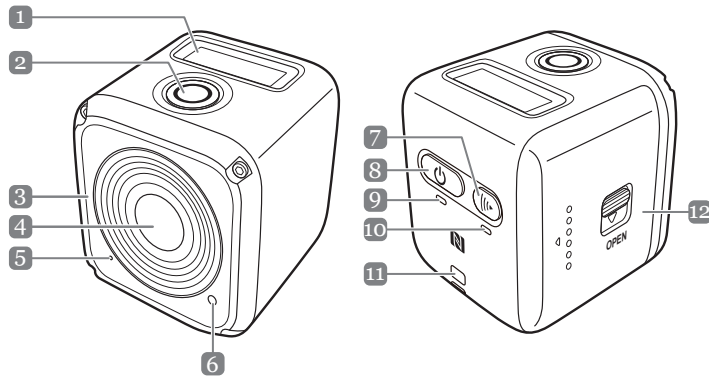


Square HD 21003 Quick Start Guide



Product Overview



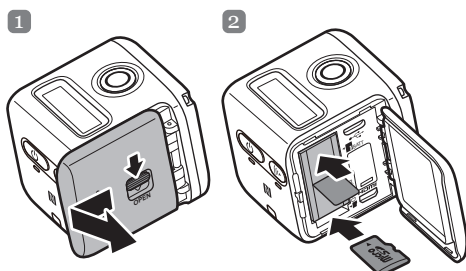
Names of Parts

1. OLED Display
2. Shutter Button (⏏)
3. Buzzer
4. Lens
5. Microphone
6. Processing LED
7. Wi-Fi Button (📶)
8. Power Button (⏻)
9. Power LED Indicator
10. Wi-Fi LED Indicator
11. Strap Eyelet
12. IO/Battery Cover

Specifications

Image Sensor	8MP CMOS
Lens	Fixed Focus Lens
OLED Display	128*36 (0.9 inch), Mono White
Memory	microSD, microSDHC and microSDXC memory card up to 32GB. (Class 10 or higher)
Image Resolution	<i>Video:</i> 4K/15fps, 2.7K/30fps 1080p/60fps, 1080p/50fps 720p/120fps, 720p/100fps <i>Still image:</i> 8MP, 6MP WIDE (16:9), 6MP
Wi-Fi	802.11 b/g/n
Waterproof	IPX8 (10m)
Operating Temperature: -5 to 40 degrees Celsius	

Installing the Battery and Memory Card



Before you start using your camera, you need to insert the included battery and a memory card (sold separately).

1. Push the latch down to unlock the IO/battery cover.
2. Slide the IO/battery cover away from the device and open the cover.
3. Insert the battery into the battery compartment, observing the correct polarity.
4. With the gold contacts facing down, insert the memory card into the memory card slot. Push the memory card until it clicks into place.
5. Close the IO/battery cover and push the latch upwards to securely lock the cover.

❖ **NOTE:** Use the USB cable to charge the battery.

Connecting to a Mobile Device

Select the SSID of this unit to connect this camera to your mobile device.

1. Turn on the Wi-Fi function on your mobile device.
2. Select the camera's SSID (Wireless network name).
3. Enter the password to connect with your mobile device.

❖ **NOTE:** The default SSID and password settings are:

- ⇒ SSID: Nabi-actioncamera
- ⇒ Password: Ab123Cd45

Turning the Device On

Press and hold the **Power** button (⏻) for 2 seconds to turn on the camera.

Recording Videos

By default, the camera is automatically in **Video** mode when turned on.

1. Press the **Shutter** button to start recording.



Blink per 1 sec. while recording

2. Press the **Shutter** button to stop recording.

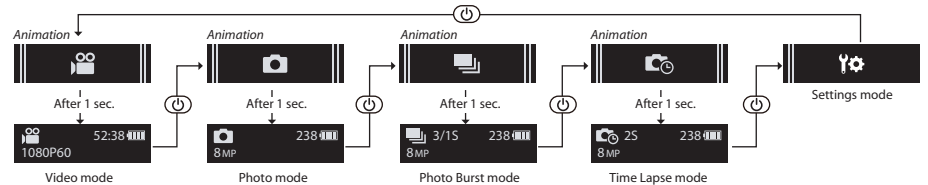
Capturing Photos

1. Press the **Power** button to switch to **Photo** mode.
2. Press the **Shutter** button to take a photo.

❖ **NOTE:** To view the recorded files, you have to transfer those files to your computer first or connect your camera to an external display.

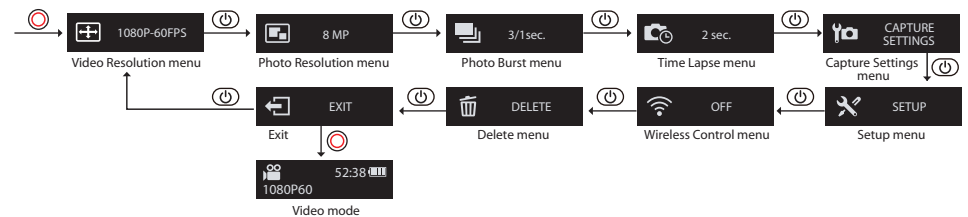
Switching Modes

Press the **Power** button repeatedly to switch modes.



Changing the Camera Settings

1. Press the **Power** button repeatedly to switch to **Settings** mode.
2. Press the **Shutter** button to enter **Settings** mode.
3. Press the **Power** button repeatedly to select the desired menu option.



4. Press the **Shutter** button to enter the submenu.
5. Press the **Power** button repeatedly to select the desired setting.
6. Press the **Shutter** button to confirm the selection.

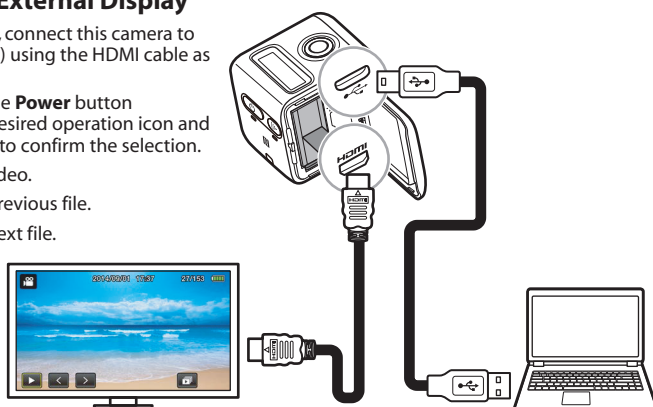
❖ **NOTE:** To return to **Video** mode, press and hold the **Shutter** button for 2 seconds.

Connecting to an External Display

To view the recorded files, connect this camera to an external display (i.e. TV) using the HDMI cable as shown in the illustration.

When connected, press the **Power** button repeatedly to select the desired operation icon and press the **Shutter** button to confirm the selection.

- ⇒ Select to play the video.
- ⇒ Select to view the previous file.
- ⇒ Select to view the next file.
- ⇒ Select to start the slideshow.



Connecting to a Computer

System Requirements

WINDOWS	MACINTOSH
<ul style="list-style-type: none"> • Windows XP(SP2) or Vista and later • 3.2GHz Pentium 4 or faster • DirectX 9.0c or later • Minimum 1GB of system RAM • Video card with minimum 256MB of RAM 	<ul style="list-style-type: none"> • MAC OS X 10.4.11 or later • 2.0GHz Intel Core Duo or faster • Minimum 1GB of system RAM • Video card with minimum 128MB of RAM

To transfer the recorded files to a computer or use this device as a webcam, connect this camera to a computer or notebook using the USB cable as shown in the illustration.

When connected, press the **Power** button repeatedly to select the desired mode and press the **Shutter** button to confirm the selection.

⇒ Select **PC** to transfer files.

⇒ Select **PC CAMERA** to use this device as a webcam.



REGULATORY STATEMENTS

Federal Communication Commission Interference Statement

This device complies with part 15 of the FCC Rules. Operation is subject to the following two conditions: (1) This device may not cause harmful interference, and (2) this device must accept any interference received, including interference that may cause undesired operation.

This device has been tested and found to comply with the limits for a Class B digital device, pursuant to Part 15 of the FCC Rules. These limits are designed to provide reasonable protection against harmful interference in a residential installation. This equipment generates, uses, and can radiate radio frequency energy, and, if not installed and used in accordance with the instructions, may cause harmful interference to radio communications. However, there is no guarantee that interference will not occur in a particular installation. If this equipment does cause harmful interference to radio or television reception, which can be determined by turning the equipment off and on, the user is encouraged to try to correct the interference by one or more of the following measures:

- Reorient or relocate the receiving antenna.
- Increase the separation between the equipment and receiver.
- Connect the equipment into an outlet on a circuit different from that to which the receiver is connected.
- Consult the dealer or an experienced radio/TV technician for help.

FCC Caution:

Any Changes or modifications not expressly approved by the party responsible for compliance could void the user's authority to operate the equipment.

The antenna(s) used for this transmitter must not be co-located or operating in conjunction with any other antenna or transmitter.

Note: The country code selection is for non-US model only and is not available to all US model. Per FCC regulation, all WiFi product marketed in US must fixed to US operation channels only. Use shielded cable with one core(L=24mm,Ø=16) must be used with this unit to ensure compliance with the class B FCC limits.

RF Exposure Information (SAR)

This device meets the government's requirements for exposure to radio waves.

This device is designed and manufactured not to exceed the emission limits for exposure to radio frequency (RF) energy set by the Federal Communications Commission of the U.S. Government.

The exposure standard for wireless device employs a unit of measurement known as the Specific Absorption Rate, or SAR. The SAR limit set by the FCC is 1.6W/kg. *Tests for SAR are conducted using standard operating positions accepted by the FCC with the device transmitting at its highest certified power level in all tested frequency bands. Although the SAR is determined at the highest certified power level, the actual SAR level of the device while operating can be well below the maximum value. This is because the device is designed to operate at multiple power levels so as to use only the power required to reach the network. In general, the closer you are to a WiFi network, the lower the power output.

Industry Canada statement

Under Industry Canada regulations, this radio transmitter may only operate using an antenna of a type and maximum (or lesser) gain approved for the transmitter by Industry Canada. To reduce potential radio interference to other users, the antenna type and its gain should be so chosen that the equivalent isotropically radiated power (e.i.r.p.) is not more than that necessary for successful communication.

Conformément à la réglementation d'Industrie Canada, le présent émetteur radio peut

fonctionner avec une antenne d'un type et d'un gain maximal (ou inférieur) approuvé pour l'émetteur par Industrie Canada. Dans le but de réduire les risques de brouillage radioélectrique à l'intention des autres utilisateurs, il faut choisir le type d'antenne et son gain de sorte que la puissance isotrope rayonnée équivalente (p.i.r.e.) ne dépasse pas l'intensité nécessaire à l'établissement d'une communication satisfaisante.

This device complies with Industry Canada license-exempt RSS standard(s). Operation is subject to the following two conditions:

- (1) this device may not cause interference, and
- (2) this device must accept any interference, including interference that may cause undesired operation of the device.

Le présent appareil est conforme aux CNR d'Industrie Canada applicables aux appareils radio exempts de licence. L'exploitation est autorisée aux deux conditions suivantes:

- (1) l'appareil ne doit pas produire de brouillage, et
- (2) l'utilisateur de l'appareil doit accepter tout brouillage radioélectrique subi, même si le brouillage est susceptible d'en compromettre le fonctionnement."

CAN ICES-3 (B)/NMB-3(B).

Radiation Exposure Statement:

The product comply with the Canada portable RF exposure limit set forth for an uncontrolled environment and are safe for intended operation as described in this manual.

Déclaration d'exposition aux radiations:

Le produit est conforme aux limites d'exposition pour les appareils portables RF pour les Etats-Unis et le Canada établies pour un environnement non contrôlé. Hereby, [Name of manufacturer], declares that this [type of equipment] is in compliance with the essential requirements and other relevant provisions of Directive 1999/5/EC.

一般設備(低功率電波輻射性電機管理辦法第12、14條)

經型式認證合格之低功率射頻電機，非經許可，公司、商號或使用者均不得擅自變更頻率、加大功率或變更原設計之特性及功能。

低功率射頻電機之使用不得影響飛航安全及干擾合法通信；經發現有干擾現象時，應立即停用，並改善至無干擾時方得繼續使用。前項合法通信，指依電信法規定作業之無線電通信。低功率射頻電機須忍受合法通信或工業、科學及醫療用電波輻射性電機設備之干擾。

Users have to use the connection to USB interfaces with USB 2.0 version or higher.

Caution



Risk of explosion if battery replaced with an incorrect type.
Dispose of used batteries according to the instructions.

Countries List where the device will be sold to

Austria	AT	Belgium	BE	Cyprus	CY	Czech Republic	CZ	Denmark	DK
Estonia	EE	Finland	FI	France	FR	Germany	DE	Greece	GR
Hungary	HU	Ireland	IE	Italy	IT	Latvia	LV	Lithuania	LT
Luxembourg	LU	Malta	MT	Netherlands	NL	Poland	PL	Portugal	PT
Slovakia	SK	Slovenia	SI	Spain	ES	Sweden	SE	United Kingdom	GB
Iceland	IS	Liechtenstein	LI	Norway	NO	Switzerland	CH	Bulgaria	BG
Romania	RO	Turkey	TR						