

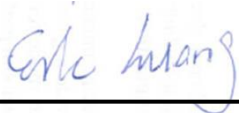
# FCC SAR Test Report

APPLICANT : DT Research Inc.  
EQUIPMENT : WLAN Module  
BRAND NAME : DT Research Inc.  
MODEL NAME : 600C  
FCC ID : YE3600C  
STANDARD : FCC 47 CFR Part 2 (2.1093)  
ANSI/IEEE C95.1-1992  
IEEE 1528-2003

The product was installed into Mobile Tablet (Brand Name DT Research Inc., Model Name: DT398H) during test.

We, SPORTON INTERNATIONAL INC., would like to declare that the tested sample has been evaluated in accordance with the procedures and had been in compliance with the applicable technical standards.

The test results in this report apply exclusively to the tested model / sample. Without written approval of SPORTON INTERNATIONAL INC., the test report shall not be reproduced except in full.



Reviewed by: Eric Huang / Deputy Manager



Approved by: Jones Tsai / Manager



## **SPORTON INTERNATIONAL INC.**

No. 52, Hwa Ya 1<sup>st</sup> Rd., Hwa Ya Technology Park, Kwei-Shan Hsiang, Tao Yuan Hsien, Taiwan, R.O.C.



**Table of Contents**

**1. Statement of Compliance ..... 4**

**2. Administration Data ..... 4**

**3. Guidance Standard ..... 5**

**4. Equipment Under Test (EUT) ..... 5**

    4.1 General Information ..... 5

    4.2 Maximum Tune-up Limit..... 6

**5. RF Exposure Limits.....10**

    5.1 Uncontrolled Environment.....10

    5.2 Controlled Environment.....10

**6. Specific Absorption Rate (SAR).....11**

    6.1 Introduction ..... 11

    6.2 SAR Definition..... 11

**7. System Description and Setup .....12**

**8. Measurement Procedures .....13**

    8.1 Spatial Peak SAR Evaluation.....13

    8.2 Power Reference Measurement.....14

    8.3 Area Scan .....14

    8.4 Zoom Scan.....15

    8.5 Volume Scan Procedures.....15

    8.6 Power Drift Monitoring.....15

**9. Test Equipment List .....16**

**10. System Verification .....17**

    10.1 Tissue Verification ..... 17

    10.2 System Performance Check Results.....18

**11. RF Exposure Positions .....18**

    11.1 SAR Testing for Tablet .....18

**12. Conducted RF Output Power (Unit: dBm).....19**

**13. Bluetooth Exclusions Applied .....31**

**14. Antenna Location .....32**

**15. SAR Test Results .....34**

    15.1 Body SAR ..... 34

    15.2 Repeated SAR Measurement .....36

**16. Simultaneous Transmission Analysis.....36**

    16.1 Body Exposure Conditions.....37

    16.2 SPLSR Evaluation and Analysis.....37

**17. Uncertainty Assessment .....38**

**18. References.....41**

**Appendix A. Plots of System Performance Check**

**Appendix B. Plots of High SAR Measurement**

**Appendix C. DASY Calibration Certificate**

**Appendix D. Test Setup Photos**



### Revision History

REPORT NO.	VERSION	DESCRIPTION	ISSUED DATE
FA491670-01	Rev. 01	Initial issue of report	Jan. 16, 2015



### 1. Statement of Compliance

The maximum results of Specific Absorption Rate (SAR) found during testing for **DT Research Inc., WLAN Module, 600C**, are as follows.

Equipment Class	Frequency Band	Highest SAR Summary	
		Body 1g SAR (W/kg)	Simultaneous Transmission 1g SAR (W/kg)
DTS	WLAN 2.4GHz Band	0.50	1.33
	WLAN 5.8GHz Band	0.68	
NII	WLAN 5.2GHz Band	0.75	1.26
	WLAN 5.3GHz Band	<b>0.86</b>	
	WLAN 5.5GHz Band	0.86	
Date of Testing:		2014/12/18~2014/12/22	

This device is in compliance with Specific Absorption Rate (SAR) for general population/uncontrolled exposure limits (1.6 W/kg) specified in FCC 47 CFR part 2 (2.1093) and ANSI/IEEE C95.1-1992, and had been tested in accordance with the measurement methods and procedures specified in IEEE 1528-2003.

### 2. Administration Data

Testing Laboratory	
Test Site	SPORTON INTERNATIONAL INC.
Test Site Location	No. 52, Hwa Ya 1 <sup>st</sup> Rd., Hwa Ya Technology Park, Kwei-Shan Hsiang, Tao Yuan Hsien, Taiwan, R.O.C. TEL: +886-3-327-3456 FAX: +886-3-328-4978

Applicant	
Company Name	DT Research Inc.
Address	6F,NO.1 ,NingPo E. St., Taipei, 100 Taiwan, R.O.C.

Manufacturer	
Company Name	DT Research Inc.
Address	6F,NO.1 ,NingPo E. St., Taipei, 100 Taiwan, R.O.C.



### 3. Guidance Standard

The Specific Absorption Rate (SAR) testing specification, method, and procedure for this device is in accordance with the following standards:

- FCC 47 CFR Part 2 (2.1093)
- ANSI/IEEE C95.1-1992
- IEEE 1528-2003
- FCC KDB 865664 D01 SAR Measurement 100 MHz to 6 GHz v01r03
- FCC KDB 865664 D02 SAR Reporting v01r01
- FCC KDB 447498 D01 General RF Exposure Guidance v05r02
- FCC KDB 248227 D01 SAR meas for 802 11abg v01r02
- FCC KDB 616217 D04 SAR for laptop and tablets v01r01

### 4. Equipment Under Test (EUT)

#### 4.1 General Information

Product Feature & Specification	
Equipment Name	WLAN Module
Brand Name	DT Research Inc.
Model Name	600C
FCC ID	YE3600C
IMEI Code	98HW114120314
Wireless Technology and Frequency Range	WLAN 2.4GHz Band: 2412 MHz ~ 2462 MHz WLAN 5.2GHz Band: 5180 MHz ~ 5240 MHz WLAN 5.3GHz Band: 5260 MHz ~ 5320 MHz WLAN 5.5GHz Band: 5500 MHz ~ 5700 MHz WLAN 5.8GHz Band: 5745 MHz ~ 5825 MHz Bluetooth: 2402 MHz ~ 2480 MHz
Mode	• 802.11a/b/g/n/ac HT20/HT40/VHT20/VHT40/VHT80 • Bluetooth v3.0+EDR , Bluetooth v4.0-LE
EUT Stage	Production Unit

Host Information	
Host Name	Mobile Tablet
Brand Name	DT Research Inc.
Model Name	DT398H



**4.2 Maximum Tune-up Limit**

Mode	Average Power (dBm)
Bluetooth BDR (1Mbps)	7
Bluetooth EDR (2Mbps)	7
Bluetooth EDR (3Mbps)	7
Bluetooth 4.0	7

Band / Frequency (MHz)		IEEE 802.11 Average Power (dBm)					
		WLAN Antenna A					
		11b_1M&2M	11b_5.5M	11b_11M	11g	HT20	HT40
2.4GHz Band	2412	14.5	13	11.5	12.5	12.5	
	2422						10
	2437	14.5	13	11.5	16	16	14
	2452						13
	2462	14.5	13	11.5	14	14.5	

Band / Frequency (MHz)		IEEE 802.11 Average Power (dBm)							
		WLAN Antenna B						WLAN Antenna A+ B	
		11b_1M&2M	11b_5.5M	11b_11M	11g	HT20	HT40	HT20	HT40
2.4GHz Band	2412	16.5	15	14	14	14.5		12.5	
	2422						11.5		9
	2437	16.5	15	14	17	17	16.5	14	13.5
	2452						14.5		13
	2462	16.5	15	14	14.5	15.5		12.5	



Band / Frequency (MHz)		IEEE 802.11 Average Power (dBm)							
		Antenna A							
		11a	HT20	HT40	VHT20	VHT40	VHT80 MCS0	VHT80_MC S1 & MCS2	VHT80_MC S3 -MCS9
5.2GHz Band	5180	13	13		13				
	5190			10.5		10.5			
	5200	15.5	13		13				
	5210						8.5	8.5	8.5
	5220	15.5	15.5		15.5				
	5230			15.5		15.5			
	5240	15.5	15.5		15.5				
5.3GHz Band	5260	13.5	13.5		13.5				
	5270			10.5		10.5			
	5280	13.5	13.5		13.5				
	5290						11	11	11
	5300	16	16		16				
	5310			11.5		11.5			
	5320	13.5	13.5		13.5				
5.5GHz Band	5500	13.5	13.5		13.5				
	5510			10.5		10.5			
	5520	13.5	13.5		13.5				
	5530						9	11	9
	5540	13.5	13.5		13.5				
	5550			17		17			
	5560	13.5	13.5		13.5				
	5580	17	17		17				
	5600	17	17		17				
	5610						14	14	14
	5620	17	17		17				
	5630			15.5		15.5			
	5640	17	17		17				
	5660	17	17		17				
	5670			16		16			
	5680	17	17		17				
	5690						9	9	9
5700	12.5	12.5		12.5					
5710			15.5		15.5				
5720	12.5	12.5		12.5					
5.8GHz Band	5745	17	13.5		13.5				
	5755			10.5		10.5			
	5765	17	16		16				
	5775						15	15	15
	5785	17	16		16				
	5795			10.5		10.5			
	5805	17	16		16				
5825	17	16		16					



Band / Frequency (MHz)		IEEE 802.11 Average Power (dBm)					
		Antenna B					
		11a	HT20	HT40	VHT20	VHT40	VHT80
5.2GHz Band	5180	14	14		14		
	5190			9.5		9.5	
	5200	14	14		14		
	5210						8
	5220	15.5	15.5		15.5		
	5230			16		16	
	5240	16	16		16		
5.3GHz Band	5260	13.5	13.5		13.5		
	5270			9.5		9.5	
	5280	13.5	13.5		13.5		
	5290						10.5
	5300	15.5	15.5		15.5		
	5310			11.5		11.5	
	5320	14	14		14		
5.5GHz Band	5500	14	14		14		
	5510			11		11	
	5520	14	14		14		
	5530						9
	5540	14	14		14		
	5550			16.5		16.5	
	5560	14	14		14		
	5580	16.5	16.5		16.5		
	5600	16.5	16.5		16.5		
	5610						14
	5620	16.5	16.5		16.5		
	5630			16		16	
	5640	16.5	16.5		16.5		
	5660	16.5	16.5		16.5		
	5670			16		16	
	5680	16.5	16.5		16.5		
	5690						9.5
5700	13	13		13			
5710			16		16		
5720	13	13		13			
5.8GHz Band	5745	16	16		16		
	5755			10.5		10.5	
	5765	16	16		16		
	5775						15
	5785	16	16		16		
	5795			10.5		10.5	
	5805	16	16		16		
5825	15.5	15.5		15.5			





Band / Frequency (MHz)		IEEE 802.11 Average Power (dBm)				
		Antenna A+B				
		HT20	HT40	VHT20	VHT40	VHT80
5.2GHz Band	5180	11.5		11.5		
	5190		8.5		8.5	
	5200	11.5		11.5		
	5210					7
	5220	13		13		
	5230		12.5		12.5	
	5240	13.5		13.5		
5.3GHz Band	5260	11		11		
	5270		8.5		8.5	
	5280	11		11		
	5290					9
	5300	14		14		
	5310		9.5		9.5	
	5320	11.5		11.5		
5.5GHz Band	5500	11.5		11.5		
	5510		11.5		11.5	
	5520	11.5		11.5		
	5530					10
	5540	11.5		11.5		
	5550		16.5		16.5	
	5560	11.5		11.5		
	5580	13.5		13.5		
	5600	13.5		13.5		
	5610					17
	5620	13.5		13.5		
	5630		16.5		16.5	
	5640	13.5		13.5		
	5660	13.5		13.5		
	5670		16.5		16.5	
	5680	13.5		13.5		
	5690					10
5700	11		11			
5710		16.5		16.5		
5720	11		11			
5.8GHz Band	5745	13		13		
	5755		13		13	
	5765	13		13		
	5775					14
	5785	13		13		
	5795		13		13	
	5805	13		13		
5825	13		13			



**5. RF Exposure Limits**

**5.1 Uncontrolled Environment**

Uncontrolled Environments are defined as locations where there is the exposure of individuals who have no knowledge or control of their exposure. The general population/uncontrolled exposure limits are applicable to situations in which the general public may be exposed or in which persons who are exposed as a consequence of their employment may not be made fully aware of the potential for exposure or cannot exercise control over their exposure. Members of the general public would come under this category when exposure is not employment-related; for example, in the case of a wireless transmitter that exposes persons in its vicinity.

**5.2 Controlled Environment**

Controlled Environments are defined as locations where there is exposure that may be incurred by persons who are aware of the potential for exposure, (i.e. as a result of employment or occupation). In general, occupational/controlled exposure limits are applicable to situations in which persons are exposed as a consequence of their employment, who have been made fully aware of the potential for exposure and can exercise control over their exposure. The exposure category is also applicable when the exposure is of a transient nature due to incidental passage through a location where the exposure levels may be higher than the general population/uncontrolled limits, but the exposed person is fully aware of the potential for exposure and can exercise control over his or her exposure by leaving the area or by some other appropriate means.

**Limits for Occupational/Controlled Exposure (W/kg)**

Whole-Body	Partial-Body	Hands, Wrists, Feet and Ankles
0.4	8.0	20.0

**Limits for General Population/Uncontrolled Exposure (W/kg)**

Whole-Body	Partial-Body	Hands, Wrists, Feet and Ankles
0.08	1.6	4.0

1. Whole-Body SAR is averaged over the entire body, partial-body SAR is averaged over any 1gram of tissue defined as a tissue volume in the shape of a cube. SAR for hands, wrists, feet and ankles is averaged over any 10 grams of tissue defined as a tissue volume in the shape of a cube.



## 6. Specific Absorption Rate (SAR)

### 6.1 Introduction

SAR is related to the rate at which energy is absorbed per unit mass in an object exposed to a radio field. The SAR distribution in a biological body is complicated and is usually carried out by experimental techniques or numerical modeling. The standard recommends limits for two tiers of groups, occupational/controlled and general population/uncontrolled, based on a person's awareness and ability to exercise control over his or her exposure. In general, occupational/controlled exposure limits are higher than the limits for general population/uncontrolled.

### 6.2 SAR Definition

The SAR definition is the time derivative (rate) of the incremental energy (dW) absorbed by (dissipated in) an incremental mass (dm) contained in a volume element (dv) of a given density (ρ). The equation description is as below:

$$SAR = \frac{d}{dt} \left( \frac{dW}{dm} \right) = \frac{d}{dt} \left( \frac{dW}{\rho dv} \right)$$

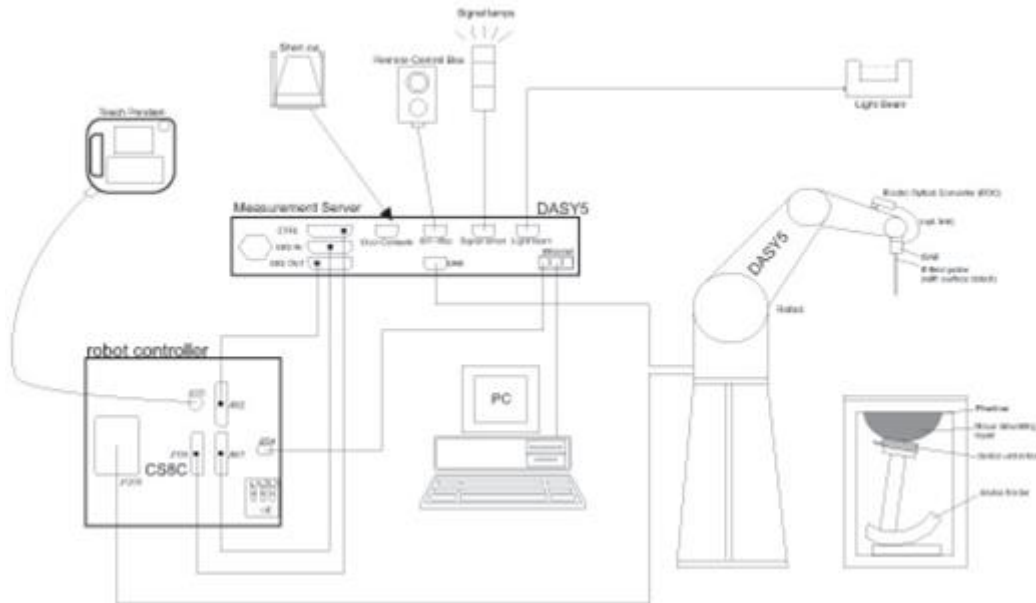
SAR is expressed in units of Watts per kilogram (W/kg)

$$SAR = \frac{\sigma |E|^2}{\rho}$$

Where: σ is the conductivity of the tissue, ρ is the mass density of the tissue and E is the RMS electrical field strength.

## 7. System Description and Setup

The DASY system used for performing compliance tests consists of the following items:



- A standard high precision 6-axis robot with controller, teach pendant and software. An arm extension for accommodating the data acquisition electronics (DAE).
- An isotropic Field probe optimized and calibrated for the targeted measurement.
- A data acquisition electronics (DAE) which performs the signal amplification, signal multiplexing, AD-conversion, offset measurements, mechanical surface detection, collision detection, etc. The unit is battery powered with standard or rechargeable batteries. The signal is optically transmitted to the EOC.
- The Electro-optical converter (EOC) performs the conversion from optical to electrical signals for the digital communication to the DAE. To use optical surface detection, a special version of the EOC is required. The EOC signal is transmitted to the measurement server.
- The function of the measurement server is to perform the time critical tasks such as signal filtering, control of the robot operation and fast movement interrupts.
- The Light Beam used is for probe alignment. This improves the (absolute) accuracy of the probe positioning.
- A computer running WinXP or Win7 and the DASY5 software.
- Remote control and teach pendant as well as additional circuitry for robot safety such as warning lamps, etc.
- The phantom, the device holder and other accessories according to the targeted measurement.

## **8. Measurement Procedures**

The measurement procedures are as follows:

### <Conducted power measurement>

- (a) For WWAN power measurement, use base station simulator to configure EUT WWAN transmission in conducted connection with RF cable, at maximum power in each supported wireless interface and frequency band.
- (b) Read the WWAN RF power level from the base station simulator.
- (c) For WLAN/BT power measurement, use engineering software to configure EUT WLAN/BT continuously transmission, at maximum RF power in each supported wireless interface and frequency band
- (d) Connect EUT RF port through RF cable to the power meter, and measure WLAN/BT output power

### <SAR measurement>

- (a) Use base station simulator to configure EUT WWAN transmission in radiated connection, and engineering software to configure EUT WLAN/BT continuously transmission, at maximum RF power, in the highest power channel.
- (b) Place the EUT in the positions as Appendix D demonstrates.
- (c) Set scan area, grid size and other setting on the DASY software.
- (d) Measure SAR results for the highest power channel on each testing position.
- (e) Find out the largest SAR result on these testing positions of each band
- (f) Measure SAR results for other channels in worst SAR testing position if the reported SAR of highest power channel is larger than 0.8 W/kg

According to the test standard, the recommended procedure for assessing the peak spatial-average SAR value consists of the following steps:

- (a) Power reference measurement
- (b) Area scan
- (c) Zoom scan
- (d) Power drift measurement

### **8.1 Spatial Peak SAR Evaluation**

The procedure for spatial peak SAR evaluation has been implemented according to the test standard. It can be conducted for 1g and 10g, as well as for user-specific masses. The DASY software includes all numerical procedures necessary to evaluate the spatial peak SAR value.

The base for the evaluation is a "cube" measurement. The measured volume must include the 1g and 10g cubes with the highest averaged SAR values. For that purpose, the center of the measured volume is aligned to the interpolated peak SAR value of a previously performed area scan.

The entire evaluation of the spatial peak values is performed within the post-processing engine (SEMCAD). The system always gives the maximum values for the 1g and 10g cubes. The algorithm to find the cube with highest averaged SAR is divided into the following stages:

- (a) Extraction of the measured data (grid and values) from the Zoom Scan
- (b) Calculation of the SAR value at every measurement point based on all stored data (A/D values and measurement parameters)
- (c) Generation of a high-resolution mesh within the measured volume
- (d) Interpolation of all measured values from the measurement grid to the high-resolution grid
- (e) Extrapolation of the entire 3-D field distribution to the phantom surface over the distance from sensor to surface
- (f) Calculation of the averaged SAR within masses of 1g and 10g

**8.2 Power Reference Measurement**

The Power Reference Measurement and Power Drift Measurements are for monitoring the power drift of the device under test in the batch process. The minimum distance of probe sensors to surface determines the closest measurement point to phantom surface. This distance cannot be smaller than the distance of sensor calibration points to probe tip as defined in the probe properties.

**8.3 Area Scan**

The area scan is used as a fast scan in two dimensions to find the area of high field values, before doing a fine measurement around the hot spot. The sophisticated interpolation routines implemented in DASY software can find the maximum found in the scanned area, within a range of the global maximum. The range (in dB0 is specified in the standards for compliance testing. For example, a 2 dB range is required in IEEE standard 1528 and IEC 62209 standards, whereby 3 dB is a requirement when compliance is assessed in accordance with the ARIB standard (Japan), if only one zoom scan follows the area scan, then only the absolute maximum will be taken as reference. For cases where multiple maximums are detected, the number of zoom scans has to be increased accordingly.

Area scan parameters extracted from FCC KDB 865664 D01v01r03 SAR measurement 100 MHz to 6 GHz.

	≤ 3 GHz	> 3 GHz
Maximum distance from closest measurement point (geometric center of probe sensors) to phantom surface	5 ± 1 mm	$\frac{1}{2} \cdot \delta \cdot \ln(2) \pm 0.5$ mm
Maximum probe angle from probe axis to phantom surface normal at the measurement location	30° ± 1°	20° ± 1°
Maximum area scan spatial resolution: $\Delta x_{Area}, \Delta y_{Area}$	≤ 2 GHz: ≤ 15 mm 2 – 3 GHz: ≤ 12 mm	3 – 4 GHz: ≤ 12 mm 4 – 6 GHz: ≤ 10 mm
	When the x or y dimension of the test device, in the measurement plane orientation, is smaller than the above, the measurement resolution must be ≤ the corresponding x or y dimension of the test device with at least one measurement point on the test device.	

### 8.4 Zoom Scan

Zoom scans are used assess the peak spatial SAR values within a cubic averaging volume containing 1 gram and 10 gram of simulated tissue. The zoom scan measures points (refer to table below) within a cube shoes base faces are centered on the maxima found in a preceding area scan job within the same procedure. When the measurement is done, the zoom scan evaluates the averaged SAR for 1 gram and 10 gram and displays these values next to the job's label.

Zoom scan parameters extracted from FCC KDB 865664 D01v01r03 SAR measurement 100 MHz to 6 GHz.

		≤ 3 GHz	> 3 GHz	
Maximum zoom scan spatial resolution: $\Delta x_{Zoom}, \Delta y_{Zoom}$		$\leq 2$ GHz: $\leq 8$ mm 2 – 3 GHz: $\leq 5$ mm*	3 – 4 GHz: $\leq 5$ mm* 4 – 6 GHz: $\leq 4$ mm*	
Maximum zoom scan spatial resolution, normal to phantom surface	uniform grid: $\Delta z_{Zoom}(n)$	$\leq 5$ mm	3 – 4 GHz: $\leq 4$ mm 4 – 5 GHz: $\leq 3$ mm 5 – 6 GHz: $\leq 2$ mm	
	graded grid	$\Delta z_{Zoom}(1)$ : between 1 <sup>st</sup> two points closest to phantom surface	$\leq 4$ mm	3 – 4 GHz: $\leq 3$ mm 4 – 5 GHz: $\leq 2.5$ mm 5 – 6 GHz: $\leq 2$ mm
		$\Delta z_{Zoom}(n>1)$ : between subsequent points	$\leq 1.5 \cdot \Delta z_{Zoom}(n-1)$	
Minimum zoom scan volume	x, y, z	$\geq 30$ mm	3 – 4 GHz: $\geq 28$ mm 4 – 5 GHz: $\geq 25$ mm 5 – 6 GHz: $\geq 22$ mm	
Note: $\delta$ is the penetration depth of a plane-wave at normal incidence to the tissue medium; see draft standard IEEE P1528-2011 for details. * When zoom scan is required and the <i>reported</i> SAR from the <i>area scan based 1-g SAR estimation</i> procedures of KDB 447498 is $\leq 1.4$ W/kg, $\leq 8$ mm, $\leq 7$ mm and $\leq 5$ mm zoom scan resolution may be applied, respectively, for 2 GHz to 3 GHz, 3 GHz to 4 GHz and 4 GHz to 6 GHz.				

### 8.5 Volume Scan Procedures

The volume scan is used for assess overlapping SAR distributions for antennas transmitting in different frequency bands. It is equivalent to an oversized zoom scan used in standalone measurements. The measurement volume will be used to enclose all the simultaneous transmitting antennas. For antennas transmitting simultaneously in different frequency bands, the volume scan is measured separately in each frequency band. In order to sum correctly to compute the 1g aggregate SAR, the EUT remain in the same test position for all measurements and all volume scan use the same spatial resolution and grid spacing. When all volume scan were completed, the software, SEMCAD postprocessor can combine and subsequently superpose these measurement data to calculating the multiband SAR.

### 8.6 Power Drift Monitoring

All SAR testing is under the EUT install full charged battery and transmit maximum output power. In DASy measurement software, the power reference measurement and power drift measurement procedures are used for monitoring the power drift of EUT during SAR test. Both these procedures measure the field at a specified reference position before and after the SAR testing. The software will calculate the field difference in dB. If the power drifts more than 5%, the SAR will be retested.



**9. Test Equipment List**

Manufacturer	Name of Equipment	Type/Model	Serial Number	Calibration	
				Last Cal.	Due Date
SPEAG	2450MHz System Validation Kit	D2450V2	869	Jun. 13, 2014	Jun. 12, 2015
SPEAG	5GHz System Validation Kit	D5GHzV2	1006	Sep. 25, 2014	Sep. 24, 2015
SPEAG	Data Acquisition Electronics	DAE4	1388	Sep. 24, 2014	Sep. 23, 2015
SPEAG	Dosimetric E-Field Probe	EX3DV4	3578	Jun. 24, 2014	Jun. 23, 2015
WonDer	Thermometer	WD-5015	TM225	Oct. 21, 2014	Oct. 20, 2015
SPEAG	Device Holder	N/A	N/A	NCR	NCR
R&S	Signal Generator	SMU200A	102502	Jul. 07, 2014	Jul. 06, 2015
SPEAG	Dielectric Probe Kit	DAKS-3.5	0004	Mar. 04, 2014	Mar. 03, 2015
Agilent	ENA Network Analyzer	E5071C	MY46101588	May. 31, 2014	May. 30, 2015
Anritsu	Power Meter	ML2495A	1036004	Aug. 09, 2014	Aug. 08, 2015
Anritsu	Power Sensor	MA2411B	1027253	Aug. 11, 2014	Aug. 10, 2015
R&S	Spectrum Analyzer	FSP 30	101329	Jun. 14, 2014	Jun. 13, 2015
Agilent	Dual Directional Coupler	778D	50422	Note1	
Woken	Attenuator 1	WK0602-XX	N/A	Note1	
PE	Attenuator 2	PE7005-10	N/A	Note1	
PE	Attenuator 3	PE7005- 3	N/A	Note1	
AR	Power Amplifier	5S1G4M2	0328767	Note1	
Mini-Circuits	Power Amplifier	ZVE-3W	162601250	Note1	
Mini-Circuits	Power Amplifier	ZHL-42W+	13440021344	Note1	

**General Note:**

1. Prior to system verification and validation, the path loss from the signal generator to the system check source and the power meter, which includes the amplifier, cable, attenuator and directional coupler, was measured by the network analyzer. The reading of the power meter was offset by the path loss difference between the path to the power meter and the path to the system check source to monitor the actual power level fed to the system check source.





## 10. System Verification

### 10.1 Tissue Verification

The following tissue formulations are provided for reference only as some of the parameters have not been thoroughly verified. The composition of ingredients may be modified accordingly to achieve the desired target tissue parameters required for routine SAR evaluation.

Frequency (MHz)	Water (%)	Sugar (%)	Cellulose (%)	Salt (%)	Preventol (%)	DGBE (%)	Conductivity ( $\sigma$ )	Permittivity ( $\epsilon_r$ )
<b>For Head</b>								
750	41.1	57.0	0.2	1.4	0.2	0	0.89	41.9
835	40.3	57.9	0.2	1.4	0.2	0	0.90	41.5
900	40.3	57.9	0.2	1.4	0.2	0	0.97	41.5
1800, 1900, 2000	55.2	0	0	0.3	0	44.5	1.40	40.0
2450	55.0	0	0	0	0	45.0	1.80	39.2
2600	54.8	0	0	0.1	0	45.1	1.96	39.0
<b>For Body</b>								
750	51.7	47.2	0	0.9	0.1	0	0.96	55.5
835	50.8	48.2	0	0.9	0.1	0	0.97	55.2
900	50.8	48.2	0	0.9	0.1	0	1.05	55.0
1800, 1900, 2000	70.2	0	0	0.4	0	29.4	1.52	53.3
2450	68.6	0	0	0	0	31.4	1.95	52.7
2600	68.1	0	0	0.1	0	31.8	2.16	52.5

#### Simulating Liquid for 5GHz, Manufactured by SPEAG

Ingredients	(% by weight)
Water	64~78%
Mineral oil	11~18%
Emulsifiers	9~15%
Additives and Salt	2~3%

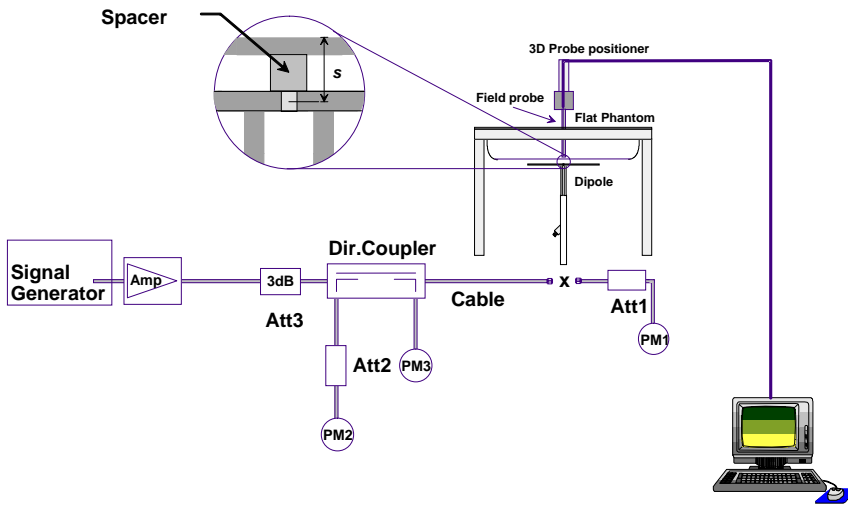
#### <Tissue Dielectric Parameter Check Results>

Frequency (MHz)	Tissue Type	Liquid Temp. (°C)	Conductivity ( $\sigma$ )	Permittivity ( $\epsilon_r$ )	Conductivity Target ( $\sigma$ )	Permittivity Target ( $\epsilon_r$ )	Delta ( $\sigma$ ) (%)	Delta ( $\epsilon_r$ ) (%)	Limit (%)	Date
2450	MSL	22.6	2.034	55.021	1.95	52.70	4.31	4.40	±5	2014/12/18
5200	MSL	22.3	5.450	47.505	5.30	49.00	2.83	-3.05	±5	2014/12/19
5300	MSL	22.3	5.586	47.337	5.42	48.90	3.06	-3.20	±5	2014/12/19
5600	MSL	22.3	5.979	46.806	5.77	48.50	3.62	-3.49	±5	2014/12/19
5600	MSL	22.3	5.653	46.801	5.77	48.50	-2.03	-3.50	±5	2014/12/20
5800	MSL	22.5	5.976	48.051	6.00	48.20	-0.40	-0.31	±5	2014/12/22

**10.2 System Performance Check Results**

Comparing to the original SAR value provided by SPEAG, the verification data should be within its specification of 10 %. Below table shows the target SAR and measured SAR after normalized to 1W input power. The table below indicates the system performance check can meet the variation criterion and the plots can be referred to Appendix A of this report.

Date	Frequency (MHz)	Tissue Type	Input Power (mW)	Dipole S/N	Probe S/N	DAE S/N	Measured 1g SAR (W/kg)	Targeted 1g SAR (W/kg)	Normalized 1g SAR (W/kg)	Deviation (%)
2014/12/18	2450	MSL	250	D2450V2-869	EX3DV4 - SN3578	DAE4 Sn1388	13.40	50.30	53.6	6.56
2014/12/19	5200	MSL	100	D5GHzV2-1006	EX3DV4 - SN3578	DAE4 Sn1388	7.79	77.50	77.9	0.52
2014/12/19	5300	MSL	100	D5GHzV2-1006	EX3DV4 - SN3578	DAE4 Sn1388	8.34	80.00	83.4	4.25
2014/12/19	5600	MSL	100	D5GHzV2-1006	EX3DV4 - SN3578	DAE4 Sn1388	8.95	85.20	89.5	5.05
2014/12/20	5600	MSL	100	D5GHzV2-1006	EX3DV4 - SN3578	DAE4 Sn1388	8.45	85.20	84.5	-0.82
2014/12/22	5800	MSL	100	D5GHzV2-1006	EX3DV4 - SN3578	DAE4 Sn1388	8.30	78.40	83	5.87



**Fig 8.3.1 System Performance Check Setup**



**Fig 8.3.2 Setup Photo**

**11. RF Exposure Positions**

**11.1 SAR Testing for Tablet**

This device can be used also in full sized tablet exposure conditions, due to its size. Per FCC KDB 616217, the back surface and edges of the tablet should be tested for SAR compliance with the tablet touching the phantom. The SAR exclusion threshold in KDB 447498 D01v05r02 can be applied to determine SAR test exclusion for adjacent edge configurations. The closest distance from the antenna to an adjacent tablet edge is used to determine if SAR testing is required for the adjacent edges, with the adjacent edge positioned against the phantom and the edge containing the antenna positioned perpendicular to the phantom.

## 12. Conducted RF Output Power (Unit: dBm)

### <WLAN Conducted Power>

**General Note:**

- For SAR testing was performed on single antenna RF power in SISO mode is larger or equal to the single antenna RF power in MIMO mode, and for RF exposure assessment of MIMO mode simultaneous transmission exclusion analysis was performed with SAR test results of each antenna in SISO mode.
- For 2.4GHz WLAN SAR testing, highest average RF output power channel for the lowest data rate for 802.11b were selected for SAR evaluation. 802.11n-T40 were not investigated since the average output powers over all channels and data rates were not more than 0.25 dB higher than the tested channel in the lowest data rate of 802.11b mode and 802.11g/n HT20 average output power is higher than 1/4dB higher than 802.11b mode, these modes SAR will be verified at the highest RF exposure position found in 802.11b SAR testing
- For 5 GHz WLAN SAR testing, highest average RF output power channel for the lowest data rate for 802.11a were selected for SAR evaluation. 802.11n HT20/HT40 modes were not investigated since the average output powers over all channels and data rates were not more than 0.25 dB higher than the tested channel in the lowest data rate of 802.11a mode.
- Full SAR tests for SISO IEEE 802.11ac configurations were not required because the average output power was not more than 0.25 dB higher than IEEE 802.11a mode. IEEE 802.11ac was evaluated for the highest IEEE 802.11a position in each 5 GHz band and exposure condition.

### <2.4GHz WLAN Antenna A>

WLAN 2.4GHz 802.11b Average Power (dBm)					
Power vs. Channel			Power vs. Data Rate		
Channel	Frequency (MHz)	Data Rate	2Mbps	5.5Mbps	11Mbps
		1Mbps			
CH 1	2412	14.17	14.11	12.61	11.27
CH 6	2437	14.22			
CH 11	2462	13.88			

WLAN 2.4GHz 802.11g Average Power (dBm)									
Power vs. Channel			Power vs. Data Rate						
Channel	Frequency (MHz)	Data Rate	9Mbps	12Mbps	18Mbps	24Mbps	36Mbps	48Mbps	54Mbps
		6Mbps							
CH 1	2412	12.12	15.58	15.57	15.58	15.18	15.21	15.23	15.31
CH 6	2437	15.61							
CH 11	2462	13.56							

WLAN 2.4GHz 802.11n-HT20 Average Power (dBm)									
Power vs. Channel			Power vs. MCS Index						
Channel	Frequency (MHz)	MCS Index	MCS1	MCS2	MCS3	MCS4	MCS5	MCS6	MCS7
		MCS0							
CH 1	2412	12.09	15.58	15.44	15.41	14.98	14.97	14.93	14.87
CH 6	2437	15.60							
CH 11	2462	13.90							

WLAN 2.4GHz 802.11n-HT40 Average Power (dBm)									
Power vs. Channel			Power vs. MCS Index						
Channel	Frequency (MHz)	MCS Index	MCS1	MCS2	MCS3	MCS4	MCS5	MCS6	MCS7
		MCS0							
CH 3	2422	9.66	13.77	13.77	13.78	13.49	13.59	13.62	13.68
CH 6	2437	13.80							
CH 9	2452	12.59							



**<2.4GHz WLAN Antenna B>**

WLAN 2.4GHz 802.11b Average Power (dBm)					
Power vs. Channel			Power vs. Data Rate		
Channel	Frequency (MHz)	Data Rate	2Mbps	5.5Mbps	11Mbps
		1Mbps			
CH 1	2412	16.07	15.70	14.72	13.45
CH 6	2437	15.87			
CH 11	2462	15.54			

WLAN 2.4GHz 802.11g Average Power (dBm)									
Power vs. Channel			Power vs. Data Rate						
Channel	Frequency (MHz)	Data Rate	9Mbps	12Mbps	18Mbps	24Mbps	36Mbps	48Mbps	54Mbps
		6Mbps							
CH 1	2412	13.41	16.37	16.41	16.42	16.00	16.21	16.14	15.98
CH 6	2437	16.44							
CH 11	2462	14.39							

WLAN 2.4GHz 802.11n-HT20 Average Power (dBm)									
Power vs. Channel			Power vs. MCS Index						
Channel	Frequency (MHz)	MCS Index	MCS1	MCS2	MCS3	MCS4	MCS5	MCS6	MCS7
		MCS0							
CH 1	2412	13.91	16.84	16.83	16.80	16.52	16.47	16.62	16.56
CH 6	2437	16.86							
CH 11	2462	14.99							

WLAN 2.4GHz 802.11n-HT40 Average Power (dBm)									
Power vs. Channel			Power vs. MCS Index						
Channel	Frequency (MHz)	MCS Index	MCS1	MCS2	MCS3	MCS4	MCS5	MCS6	MCS7
		MCS0							
CH 3	2422	11.29	16.34	16.35	16.34	16.21	16.27	16.29	16.33
CH 6	2437	16.36							
CH 9	2452	13.79							



**<2.4GHz WLAN Antenna A+B>**

WLAN 2.4GHz 802.11n-HT20 Average Power (dBm)									
Power vs. Channel			Power vs. MCS Index						
Channel	Frequency (MHz)	MCS Index	MCS1	MCS2	MCS3	MCS4	MCS5	MCS6	MCS7
		MCS0							
CH 1	2412	11.99	13.54	13.49	13.53	13.40	13.55	13.47	13.51
CH 6	2437	13.56							
CH 11	2462	11.88							

WLAN 2.4GHz 802.11n-HT40 Average Power (dBm)									
Power vs. Channel			Power vs. MCS Index						
Channel	Frequency (MHz)	MCS Index	MCS1	MCS2	MCS3	MCS4	MCS5	MCS6	MCS7
		MCS0							
CH 3	2422	8.41	13.11	13.10	13.10	13.12	13.04	13.06	13.08
CH 6	2437	13.13							
CH 9	2452	12.54							

**<5GHz WLAN Antenna A>**

WLAN 5GHz 802.11a Average Power (dBm)									
Power vs. Channel			Power vs. Data Rate						
Channel	Frequency (MHz)	Data Rate	9Mbps	12Mbps	18Mbps	24Mbps	36Mbps	48Mbps	54Mbps
		6Mbps							
CH 36	5180	12.70	15.34	15.31	15.38	15.33	15.41	15.41	15.34
CH 40	5200	15.12							
CH 44	5220	15.42							
CH 48	5240	15.39							
CH 52	5260	13.02	15.19	15.09	15.14	15.10	15.13	15.14	15.12
CH 56	5280	13.00							
CH 60	5300	15.20							
CH 64	5320	12.94							
CH 100	5500	12.85							
CH 104	5520	12.86	16.27	16.25	16.22	16.23	16.27	16.21	16.26
CH 108	5540	12.72							
CH 112	5560	12.83							
CH 116	5580	16.30							
CH 120	5600	16.13							
CH 124	5620	16.22							
CH 128	5640	16.17							
CH 132	5660	16.23							
CH 136	5680	16.22							
CH 140	5700	12.20							
CH 144	5720	12.04	16.75	16.72	16.72	16.44	16.34	16.38	16.36
CH 149	5745	16.38							
CH 153	5765	16.34							
CH 157	5785	16.64							
CH 161	5805	16.37							
CH 165	5825	16.78							



WLAN 5GHz 802.11n-HT20 Average Power (dBm)									
Power vs. Channel			Power vs. MCS Index						
Channel	Frequency (MHz)	Data Rate	9Mbps	12Mbps	18Mbps	24Mbps	36Mbps	48Mbps	54Mbps
		6Mbps							
CH 36	5180	12.62	15.24	15.19	15.18	15.16	15.18	15.14	15.24
CH 40	5200	12.72							
CH 44	5220	15.28							
CH 48	5240	15.24							
CH 52	5260	13.15	15.47	15.51	15.49	15.46	15.44	15.49	15.45
CH 56	5280	12.90							
CH 60	5300	15.55							
CH 64	5320	13.17							
CH 100	5500	13.18	16.22	16.25	16.18	16.26	16.28	16.20	16.25
CH 104	5520	13.26							
CH 108	5540	13.17							
CH 112	5560	12.94							
CH 116	5580	16.36							
CH 120	5600	16.53							
CH 124	5620	16.45							
CH 128	5640	16.28							
CH 132	5660	16.30							
CH 136	5680	15.94							
CH 140	5700	12.32	15.24	15.25	14.65	14.79	14.74	14.55	14.57
CH 144	5720	12.12							
CH 149	5745	13.02							
CH 153	5765	15.34							
CH 157	5785	15.45							
CH 161	5805	15.36							
CH 165	5825	15.16							



WLAN 5GHz 802.11n-HT40 Average Power (dBm)									
Power vs. Channel			Power vs. MCS Index						
Channel	Frequency (MHz)	MCS Index	MCS1	MCS2	MCS3	MCS4	MCS5	MCS6	MCS7
		MCS0							
CH 38	5190	9.88	15.24	15.22	15.20	15.27	15.23	15.16	15.25
CH 46	5230	15.28							
CH 54	5270	10.05	11.21	11.22	11.16	11.20	11.19	11.12	11.06
CH 62	5310	11.24							
CH 102	5510	10.02	16.41	16.42	16.38	16.41	16.36	16.31	16.40
CH 110	5550	16.45							
CH 126	5630	15.17							
CH 134	5670	15.53							
CH 142	5710	15.28							
CH 151	5755	10.39	10.38	10.38	10.36	10.37	10.05	10.01	10.08
CH 159	5795	10.24							

WLAN 5GHz 802.11ac-VHT20 Average Power (dBm)										
Power vs. Channel			Power vs. MCS Index							
Channel	Frequency (MHz)	MCS Index	MCS1	MCS2	MCS3	MCS4	MCS5	MCS6	MCS7	MCS8
		MCS0								
CH 36	5180	12.59	15.11	15.26	15.13	15.25	15.22	15.16	15.23	15.18
CH 40	5200	12.60								
CH 44	5220	15.27								
CH 48	5240	15.07								
CH 52	5260	13.09	15.20	15.26	15.16	15.30	15.29	15.28	15.23	15.27
CH 56	5280	12.93								
CH 60	5300	15.37								
CH 64	5320	13.00								
CH 100	5500	13.04								
CH 104	5520	13.15	16.20	16.32	16.24	16.26	16.29	16.22	16.23	16.21
CH 108	5540	13.03								
CH 112	5560	12.81								
CH 116	5580	16.35								
CH 120	5600	16.05								
CH 124	5620	15.96								
CH 128	5640	16.13								
CH 132	5660	15.89								
CH 136	5680	15.96								
CH 140	5700	12.29								
CH 144	5720	12.19								
CH 149	5745	12.35	15.40	15.41	14.82	14.91	14.90	14.56	14.57	14.59
CH 153	5765	15.34								
CH 157	5785	15.43								
CH 161	5805	15.37								
CH 165	5825	15.32								



WLAN 5GHz 802.11ac-VHT40 Average Power (dBm)											
Power vs. Channel			Power vs. MCS Index								
Channel	Frequency (MHz)	MCS Index	MCS1	MCS2	MCS3	MCS4	MCS5	MCS6	MCS7	MCS8	MCS9
		MCS0									
CH 38	5190	9.75	15.18	15.20	15.14	15.22	15.22	15.23	15.15	15.13	15.24
CH 46	5230	15.25									
CH 54	5270	9.96	11.18	11.11	11.03	11.14	11.16	11.05	11.05	11.13	11.07
CH 62	5310	11.20									
CH 102	5510	10.02	16.40	16.34	16.33	16.39	16.43	16.42	16.37	16.36	16.34
CH 110	5550	16.44									
CH 126	5630	15.06									
CH 134	5670	15.48									
CH 142	5710	15.32									
CH 151	5755	10.00	9.99	9.98	9.62	9.77	9.87	9.44	9.49	9.48	9.51
CH 159	5795	9.57									

WLAN 5GHz 802.11ac-VHT80 Average Power (dBm)											
Power vs. Channel			Power vs. MCS Index								
Channel	Frequency (MHz)	MCS Index	MCS1	MCS2	MCS3	MCS4	MCS5	MCS6	MCS7	MCS8	MCS9
		MCS0									
CH 42	5210	7.94	7.93	7.90	7.86	7.84	7.83	7.76	7.88	7.78	7.90
CH 58	5290	10.79	10.70	10.78	10.76	10.72	10.68	10.63	10.61	10.62	10.69
CH 106	5530	8.74	8.72	8.69	8.64	8.65	8.63	8.63	8.54	8.54	8.72
CH 122	5610	13.88									
CH 138	5690	8.46									
CH 155	5775	14.40	14.39	14.39	14.30	14.39	14.07	14.12	14.18	14.17	14.24





<5GHz WLAN Antenna B>

WLAN 5GHz 802.11a Average Power (dBm)									
Power vs. Channel			Power vs. Data Rate						
Channel	Frequency (MHz)	Data Rate	9Mbps	12Mbps	18Mbps	24Mbps	36Mbps	48Mbps	54Mbps
		6Mbps							
CH 36	5180	13.10	15.42	15.40	15.44	15.43	15.37	15.36	15.44
CH 40	5200	13.08							
CH 44	5220	15.37							
CH 48	5240	15.46							
CH 52	5260	13.10	15.32	15.27	15.26	15.30	15.29	15.25	15.31
CH 56	5280	13.13							
CH 60	5300	15.34							
CH 64	5320	13.45							
CH 100	5500	13.08	16.16	16.13	16.15	16.09	16.12	16.17	16.15
CH 104	5520	13.24							
CH 108	5540	13.16							
CH 112	5560	13.07							
CH 116	5580	16.19							
CH 120	5600	16.18							
CH 124	5620	16.16							
CH 128	5640	16.09							
CH 132	5660	15.99							
CH 136	5680	15.98							
CH 140	5700	12.89							
CH 144	5720	12.32	15.61	15.61	15.35	15.29	15.38	15.11	15.15
CH 149	5745	15.62							
CH 153	5765	15.24							
CH 157	5785	15.29							
CH 161	5805	15.20	14.69						
CH 165	5825	14.69							



WLAN 5GHz 802.11n-HT20 Average Power (dBm)									
Power vs. Channel			Power vs. MCS Index						
Channel	Frequency (MHz)	Data Rate	9Mbps	12Mbps	18Mbps	24Mbps	36Mbps	48Mbps	54Mbps
		6Mbps							
CH 36	5180	13.55	15.42	15.39	15.34	15.33	15.38	15.44	15.43
CH 40	5200	13.50							
CH 44	5220	15.26							
CH 48	5240	15.45							
CH 52	5260	13.39	15.11	15.03	15.06	15.11	15.05	15.10	15.03
CH 56	5280	13.21							
CH 60	5300	15.12							
CH 64	5320	13.71							
CH 100	5500	13.45	16.08	16.06	16.14	16.11	16.10	16.01	16.12
CH 104	5520	13.41							
CH 108	5540	13.31							
CH 112	5560	13.41							
CH 116	5580	16.15							
CH 120	5600	16.27							
CH 124	5620	15.64							
CH 128	5640	15.80							
CH 132	5660	16.02							
CH 136	5680	16.05							
CH 140	5700	12.84	15.63	15.63	15.63	15.41	15.43	15.34	15.37
CH 144	5720	12.70							
CH 149	5745	15.61							
CH 153	5765	15.59							
CH 157	5785	15.79							
CH 161	5805	15.56							
CH 165	5825	15.35							



WLAN 5GHz 802.11n-HT40 Average Power (dBm)									
Power vs. Channel			Power vs. MCS Index						
Channel	Frequency (MHz)	MCS Index	MCS1	MCS2	MCS3	MCS4	MCS5	MCS6	MCS7
		MCS0							
CH 38	5190	9.38	15.57	15.54	15.49	15.54	15.57	15.50	15.51
CH 46	5230	15.61							
CH 54	5270	9.37	11.11	11.09	11.08	11.11	11.03	10.95	11.03
CH 62	5310	11.13							
CH 102	5510	10.67	16.15	16.27	16.25	16.28	16.25	16.18	16.21
CH 110	5550	16.29							
CH 126	5630	15.47							
CH 134	5670	15.42							
CH 142	5710	15.30							
CH 151	5755	9.81	9.79	9.79	9.38	9.58	9.14	9.14	9.17
CH 159	5795	9.44							

WLAN 5GHz 802.11ac-VHT20 Average Power (dBm)										
Power vs. Channel			Power vs. MCS Index							
Channel	Frequency (MHz)	MCS Index	MCS1	MCS2	MCS3	MCS4	MCS5	MCS6	MCS7	MCS8
		MCS0								
CH 36	5180	13.39	15.31	15.27	15.29	15.16	15.20	15.26	15.26	15.22
CH 40	5200	13.38								
CH 44	5220	15.27								
CH 48	5240	15.40	15.04	15.06	15.07	15.09	15.09	15.00	15.10	15.07
CH 52	5260	13.29								
CH 56	5280	13.39								
CH 60	5300	15.13								
CH 64	5320	13.65								
CH 100	5500	13.25	15.86	15.93	15.90	15.86	15.82	15.80	15.88	15.82
CH 104	5520	13.21								
CH 108	5540	13.11								
CH 112	5560	13.05								
CH 116	5580	15.95								
CH 120	5600	16.20								
CH 124	5620	16.24								
CH 128	5640	16.12								
CH 132	5660	15.99								
CH 136	5680	16.02								
CH 140	5700	12.77	15.63	15.63	15.08	15.20	15.21	15.02	15.00	14.98
CH 144	5720	12.46								
CH 149	5745	15.25								
CH 153	5765	15.60								
CH 157	5785	15.65								
CH 161	5805	15.57	15.63	15.63	15.08	15.20	15.21	15.02	15.00	14.98
CH 165	5825	14.92								



WLAN 5GHz 802.11ac-VHT40 Average Power (dBm)											
Power vs. Channel			Power vs. MCS Index								
Channel	Frequency (MHz)	MCS Index	MCS1	MCS2	MCS3	MCS4	MCS5	MCS6	MCS7	MCS8	MCS9
		MCS0									
CH 38	5190	9.32	15.44	15.47	15.47	15.43	15.39	15.35	15.36	15.47	15.41
CH 46	5230	15.50									
CH 54	5270	9.30	10.84	10.82	10.77	10.73	10.83	10.77	10.74	10.77	10.73
CH 62	5310	10.87									
CH 102	5510	10.61	16.10	16.17	16.16	16.05	16.17	16.05	16.09	16.15	16.13
CH 110	5550	16.18									
CH 126	5630	15.33									
CH 134	5670	15.13									
CH 142	5710	15.07									
CH 151	5755	9.66	9.63	9.64	9.31	9.40	9.06	9.06	9.09	9.12	9.20
CH 159	5795	9.63									

WLAN 5GHz 802.11ac-VHT80 Average Power (dBm)											
Power vs. Channel			Power vs. MCS Index								
Channel	Frequency (MHz)	MCS Index	MCS1	MCS2	MCS3	MCS4	MCS5	MCS6	MCS7	MCS8	MCS9
		MCS0									
CH 42	5210	7.64	7.61	7.59	7.63	7.62	7.52	7.54	7.50	7.55	7.50
CH 58	5290	10.14	10.09	10.06	10.12	10.05	9.91	10.10	10.00	9.92	10.04
CH 106	5530	8.70	8.69	8.67	8.68	8.65	8.55	8.63	8.55	8.52	8.56
CH 122	5610	13.86									
CH 138	5690	8.92									
CH 155	5775	14.75	14.73	14.73	14.67	14.63	14.29	14.46	14.52	14.62	14.63



<5GHz WLAN Antenna A+B>

WLAN 5GHz 802.11a Average Power (dBm)									
Power vs. Channel			Power vs. Data Rate						
Channel	Frequency (MHz)	Data Rate	9Mbps	12Mbps	18Mbps	24Mbps	36Mbps	48Mbps	54Mbps
		6Mbps							
CH 36	5180	11.13	13.13	13.11	13.11	13.12	13.09	13.10	13.09
CH 40	5200	10.85							
CH 44	5220	12.68							
CH 48	5240	13.15							
CH 52	5260	10.82	13.48	13.53	13.51	13.52	13.50	13.39	13.45
CH 56	5280	10.38							
CH 60	5300	13.56							
CH 64	5320	11.38							
CH 100	5500	11.04	12.91	12.97	12.96	12.95	12.93	12.89	12.86
CH 104	5520	11.06							
CH 108	5540	11.02							
CH 112	5560	10.91							
CH 116	5580	13.00							
CH 120	5600	13.07							
CH 124	5620	13.03							
CH 128	5640	13.27							
CH 132	5660	12.97							
CH 136	5680	12.79							
CH 140	5700	10.41							
CH 144	5720	10.44							
CH 149	5745	12.62	12.45	12.54	12.38	12.48	12.18	12.21	12.16
CH 153	5765	12.59							
CH 157	5785	12.35							
CH 161	5805	12.60							
CH 165	5825	12.00							



WLAN 5GHz 802.11n-HT40 Average Power (dBm)									
Power vs. Channel			Power vs. MCS Index						
Channel	Frequency (MHz)	MCS Index	MCS1	MCS2	MCS3	MCS4	MCS5	MCS6	MCS7
		MCS0							
CH 38	5190	8.22	12.18	12.21	12.25	12.23	12.16	12.21	12.25
CH 46	5230	12.29							
CH 54	5270	8.19	9.06	9.10	9.09	9.12	9.05	9.04	9.10
CH 62	5310	9.14							
CH 102	5510	11.08	16.33	16.37	16.26	16.34	16.32	16.34	16.32
CH 110	5550	16.16							
CH 126	5630	16.06							
CH 134	5670	16.36							
CH 142	5710	16.16							
CH 151	5755	12.57	12.53	12.55	12.52	12.55	12.53	12.56	12.54
CH 159	5795	12.32							

WLAN 5GHz 802.11ac-VHT20 Average Power (dBm)										
Power vs. Channel			Power vs. MCS Index							
Channel	Frequency (MHz)	MCS Index	MCS1	MCS2	MCS3	MCS4	MCS5	MCS6	MCS7	MCS8
		MCS0								
CH 36	5180	11.07	13.02	12.96	12.99	12.98	13.00	13.01	12.98	13.00
CH 40	5200	11.22								
CH 44	5220	12.63								
CH 48	5240	13.08	13.43	13.44	13.42	13.27	13.35	13.38	13.41	13.39
CH 52	5260	10.75								
CH 56	5280	10.81								
CH 60	5300	13.49								
CH 64	5320	11.28								
CH 100	5500	10.97	12.89	12.88	12.89	12.81	12.90	12.90	12.77	12.87
CH 104	5520	10.99								
CH 108	5540	10.95								
CH 112	5560	10.83								
CH 116	5580	12.94								
CH 120	5600	12.98								
CH 124	5620	13.06								
CH 128	5640	12.78								
CH 132	5660	12.67								
CH 136	5680	12.63								
CH 140	5700	10.34								
CH 144	5720	10.29	12.57	12.57	12.54	12.56	12.59	12.40	12.47	12.49
CH 149	5745	12.60								
CH 153	5765	12.50								
CH 157	5785	12.45								
CH 161	5805	12.38								
CH 165	5825	12.16								

WLAN 5GHz 802.11ac-VHT40 Average Power (dBm)											
Power vs. Channel			Power vs. MCS Index								
Channel	Frequency (MHz)	MCS Index	MCS1	MCS2	MCS3	MCS4	MCS5	MCS6	MCS7	MCS8	MCS9
		MCS0									
CH 38	5190	8.16	12.14	12.19	12.19	12.17	12.09	12.06	12.12	12.18	12.14
CH 46	5230	12.25									
CH 54	5270	8.08	8.96	8.94	8.84	9.05	8.97	9.00	8.87	8.93	8.89
CH 62	5310	9.07									
CH 102	5510	10.99	16.29	16.27	16.29	16.26	16.24	16.15	16.13	16.25	16.23
CH 110	5550	16.07									
CH 126	5630	16.48									
CH 134	5670	16.34									
CH 142	5710	16.29	12.09	12.09	12.09	12.09	12.02	12.07	11.83	11.86	11.43
CH 151	5755	12.11									
CH 159	5795	12.04									

WLAN 5GHz 802.11ac-VHT80 Average Power (dBm)											
Power vs. Channel			Power vs. MCS Index								
Channel	Frequency (MHz)	MCS Index	MCS1	MCS2	MCS3	MCS4	MCS5	MCS6	MCS7	MCS8	MCS9
		MCS0									
CH 42	5210	6.45	6.16	6.38	5.99	6.14	5.99	5.95	6.18	6.35	6.43
CH 58	5290	8.75	8.65	8.71	8.60	8.59	8.68	8.63	8.70	8.73	8.69
CH 106	5530	9.69	9.61	9.66	9.66	9.66	9.62	9.57	9.51	9.52	9.66
CH 122	5610	16.50									
CH 138	5690	9.48									
CH 155	5775	13.55	13.53	13.54	13.53	13.54	13.54	13.53	13.37	13.38	13.47

### 13. Bluetooth Exclusions Applied

Mode Band	Average power(dBm)	
	Bluetooth v3.0+EDR	Bluetooth v4.0+LE
2.4GHz Bluetooth	7	7

**Note:**

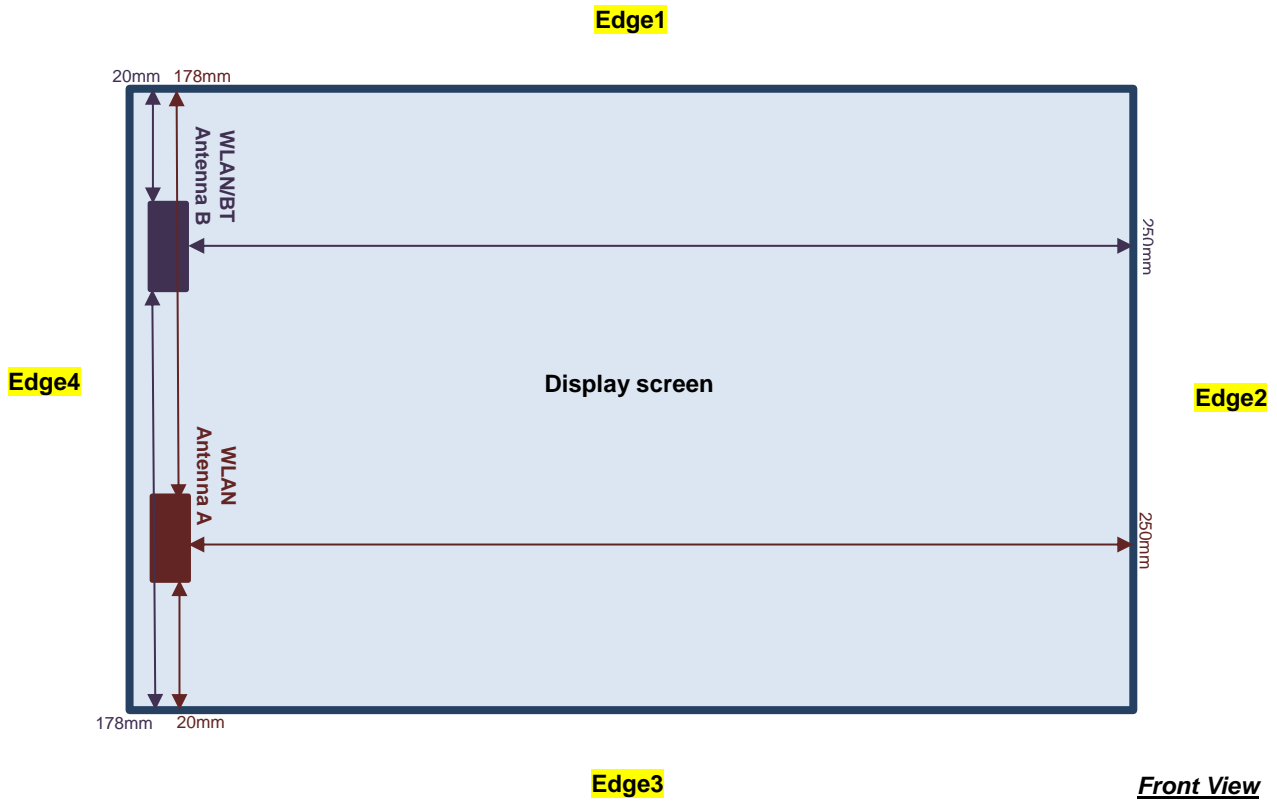
- Per KDB 447498 D01v05r02, the 1-g and 10-g SAR test exclusion thresholds for 100 MHz to 6 GHz at test separation distances ≤ 50 mm are determined by:
 
$$[(\text{max. power of channel, including tune-up tolerance, mW}) / (\text{min. test separation distance, mm})] \cdot [\sqrt{f(\text{GHz})}] \leq 3.0$$
 for 1-g SAR and ≤ 7.5 for 10-g extremity SAR
  - f(GHz) is the RF channel transmit frequency in GHz
  - Power and distance are rounded to the nearest mW and mm before calculation
  - The result is rounded to one decimal place for comparison

Bluetooth Max Power (dBm)	Separation Distance (mm)	Frequency (GHz)	exclusion thresholds
7	< 5	2.48	1.57

**Note:**

Per KDB 447498 D01v05r02, when the minimum test separation distance is < 5 mm, a distance of 5 mm is applied to determine SAR test exclusion. The test exclusion threshold is 1.57 which is ≤ 3, SAR testing is not required.

### 14. Antenna Location







**<SAR test exclusion table>**

**General Note:**

1. The below table, when the distance is < 50 mm exclusion threshold is "Ratio", when the distance is > 50 mm exclusion threshold is "mW"
2. Maximum power is the source-based time-average power and represents the maximum RF output power among production units
3. Per KDB 447498 D01v05r02, for larger devices, the test separation distance of adjacent edge configuration is determined by the closest separation between the antenna and the user.
4. Per KDB 447498 D01v05r02, standalone SAR test exclusion threshold is applied; If the test separation distance is < 5mm, 5mm is used to determine SAR exclusion threshold.
5. Per KDB 447498 D01v05r02, the 1-g and 10-g SAR test exclusion thresholds for 100 MHz to 6 GHz at *test separation distances* ≤ 50 mm are determined by:
  - $[(\text{max. power of channel, including tune-up tolerance, mW}) / (\text{min. test separation distance, mm})] \cdot [\sqrt{f(\text{GHz})}] \leq 3.0$  for 1-g SAR and ≤ 7.5 for 10-g extremity SAR
  - f(GHz) is the RF channel transmit frequency in GHz
  - Power and distance are rounded to the nearest mW and mm before calculation
  - The result is rounded to one decimal place for comparison
6. Per KDB 447498 D01v05r02, at 100 MHz to 6 GHz and for *test separation distances* > 50 mm, the SAR test exclusion threshold is determined according to the following
  - a) [Threshold at 50 mm in step 1) + (test separation distance - 50 mm) · ( f(MHz)/150)] mW, at 100 MHz to 1500 MHz
  - b) [Threshold at 50 mm in step 1) + (test separation distance - 50 mm) · 10] mW at > 1500 MHz and ≤ 6 GHz

Exposure Position	Wireless Interface	802.11g Ant A	802.11b Ant B	802.11a Ant A	802.11a Ant B
	Calculated Frequency	2462MHz	2462MHz	5825MHz	5825MHz
	Maximum power (dBm)	16.0	16.5	17.0	16.5
	Maximum rated power(mW)	40.0	45.0	50.0	45.0
Bottom Face	Separation distance(mm)	5.0	5.0	5.0	5.0
	exclusion threshold	13.0	14.0	24.0	24.0
	Testing required?	Yes	Yes	Yes	Yes
Edge 1	Separation distance(mm)	178.0	20.0	178.0	20.0
	exclusion threshold	1376.0	4.0	1342.0	6.0
	Testing required?	No	Yes	No	Yes
Edge 2	Separation distance(mm)	250.0	250.0	250.0	250.0
	exclusion threshold	2096.0	2096.0	2062.0	2062.0
	Testing required?	No	No	No	No
Edge 3	Separation distance(mm)	20.0	178.0	20.0	178.0
	exclusion threshold	3.0	1376.0	6.0	1342.0
	Testing required?	No	No	Yes	No
Edge 4	Separation distance(mm)	5.0	5.0	5.0	5.0
	exclusion threshold	13.0	14.0	24.0	24.0
	Testing required?	Yes	Yes	Yes	Yes



### 15. SAR Test Results

**General Note:**

1. Per KDB 447498 D01v05r02, the reported SAR is the measured SAR value adjusted for maximum tune-up tolerance.
  - a. Tune-up scaling Factor = tune-up limit power (mW) / EUT RF power (mW), where tune-up limit is the maximum rated power among all production units.
  - b. For SAR testing of WLAN signal with non-100% duty cycle, the measured SAR is scaled-up by the duty cycle scaling factor which is equal to "1/(duty cycle)"
  - c. For WLAN: Reported SAR(W/kg)= Measured SAR(W/kg)\* Duty Cycle scaling factor \* Tune-up scaling factor
2. Per KDB 447498 D01v05r02, for each exposure position, testing of other required channels within the operating mode of a frequency band is not required when the *reported* 1-g or 10-g SAR for the mid-band or highest output power channel is:
  - ≤ 0.8 W/kg or 2.0 W/kg, for 1-g or 10-g respectively, when the transmission band is ≤ 100 MHz
  - ≤ 0.6 W/kg or 1.5 W/kg, for 1-g or 10-g respectively, when the transmission band is between 100 MHz and 200 MHz
  - ≤ 0.4 W/kg or 1.0 W/kg, for 1-g or 10-g respectively, when the transmission band is ≥ 200 MHz
3. During SAR testing the WLAN transmission was verified using a spectrum analyzer.

#### 15.1 Body SAR

Plot No.	Band	Mode	Test Position	Gap (cm)	Antenna	Ch.	Freq. (MHz)	Average Power (dBm)	Tune-Up Limit (dBm)	Tune-up Scaling Factor	Duty Cycle %	Duty Cycle Scaling Factor	Power Drift (dB)	Measured 1g SAR (W/kg)	Reported 1g SAR (W/kg)
	WLAN2.4GHz	802.11b 1Mbps	Bottom Face	0cm	A	6	2437	14.22	14.50	1.067	98.68	1.013	-0.09	0.166	0.179
	WLAN2.4GHz	802.11g 6Mbps	Bottom Face	0cm	A	6	2437	15.61	16.00	1.094	99.04	1.010	-0.07	0.188	0.208
	WLAN2.4GHz	802.11n-HT20 MCS0	Bottom Face	0cm	A	6	2437	15.60	16.00	1.096	98.46	1.016	0.06	0.189	0.211
	WLAN2.4GHz	802.11b 1Mbps	Edge 4	0cm	A	6	2437	14.22	14.50	1.067	98.68	1.013	-0.06	0.102	0.110
	WLAN2.4GHz	802.11b 1Mbps	Bottom Face	0cm	B	1	2412	16.07	16.50	1.104	99.12	1.009	0	0.138	0.154
	WLAN2.4GHz	802.11b 1Mbps	Edge 1	0cm	B	1	2412	16.07	16.50	1.104	99.12	1.009	-0.03	0.058	0.065
	WLAN2.4GHz	802.11b 1Mbps	Edge 4	0cm	B	1	2412	16.07	16.50	1.104	99.12	1.009	0.06	0.254	0.283
	WLAN2.4GHz	802.11g 6Mbps	Edge 4	0cm	B	6	2437	16.44	17.00	1.138	99.04	1.010	0.07	0.405	0.465
01	WLAN2.4GHz	802.11n-HT20 MCS0	Edge 4	0cm	B	6	2437	16.86	17.00	1.033	98.97	1.010	0.07	0.477	0.498
	WLAN5GHz	802.11a 6Mbps	Bottom Face	0cm	A	44	5220	15.42	15.50	1.019	98.56	1.015	-0.01	0.420	0.434
	WLAN5GHz	802.11ac-VHT80 MCS0	Bottom Face	0cm	A	42	5210	7.94	8.50	1.138	94.02	1.064	-0.03	0.078	0.094
	WLAN5GHz	802.11a 6Mbps	Edge 3	0cm	A	44	5220	15.42	15.50	1.019	98.56	1.015	-0.03	0.169	0.175
	WLAN5GHz	802.11a 6Mbps	Edge 4	0cm	A	44	5220	15.42	15.50	1.019	98.56	1.015	0.02	0.419	0.433
02	WLAN5GHz	802.11a 6Mbps	Bottom Face	0cm	B	48	5240	15.46	16.00	1.132	98.56	1.015	-0.07	0.649	0.746
	WLAN5GHz	802.11ac-VHT80 MCS0	Bottom Face	0cm	B	42	5240	7.64	8.00	1.086	94.83	1.055	-0.04	0.073	0.084
	WLAN5GHz	802.11a 6Mbps	Edge 1	0cm	B	48	5240	15.46	16.00	1.132	98.56	1.015	-0.07	0.147	0.169
	WLAN5GHz	802.11a 6Mbps	Edge 4	0cm	B	48	5240	15.46	16.00	1.132	98.56	1.015	-0.03	0.332	0.382
	WLAN5GHz	802.11a 6Mbps	Bottom Face	0cm	A	60	5300	15.20	16.00	1.202	98.56	1.015	-0.07	0.409	0.499
	WLAN5GHz	802.11a 6Mbps	Edge 3	0cm	A	60	5300	15.20	16.00	1.202	98.56	1.015	-0.03	0.127	0.155
	WLAN5GHz	802.11a 6Mbps	Edge 4	0cm	A	60	5300	15.20	16.00	1.202	98.56	1.015	-0.03	0.500	0.610
	WLAN5GHz	802.11ac-VHT80 MCS0	Edge 4	0cm	A	58	5290	10.79	11.00	1.050	94.02	1.064	-0.06	0.277	0.309
03	WLAN5GHz	802.11a 6Mbps	Bottom Face	0cm	B	60	5300	15.34	15.50	1.038	98.56	1.015	0.06	0.815	0.858
	WLAN5GHz	802.11a 6Mbps	Bottom Face	0cm	B	56	5280	13.13	13.50	1.038	98.56	1.015	-0.07	0.404	0.425
	WLAN5GHz	802.11ac-VHT80 MCS0	Bottom Face	0cm	B	58	5290	10.14	10.50	1.086	94.83	1.055	-0.01	0.273	0.313
	WLAN5GHz	802.11a 6Mbps	Edge 1	0cm	B	60	5300	15.34	15.50	1.038	98.56	1.015	-0.04	0.190	0.200
	WLAN5GHz	802.11a 6Mbps	Edge 4	0cm	B	60	5300	15.34	15.50	1.038	98.56	1.015	-0.02	0.380	0.400



Plot No.	Band	Mode	Test Position	Gap (cm)	Antenna	Ch.	Freq. (MHz)	Average Power (dBm)	Tune-Up Limit (dBm)	Tune-up Scaling Factor	Duty Cycle %	Duty Cycle Scaling Factor	Power Drift (dB)	Measured 1g SAR (W/kg)	Reported 1g SAR (W/kg)
	WLAN5GHz	802.11a 6Mbps	Bottom Face	0cm	A	116	5580	16.30	17.00	1.175	98.56	1.015	0.08	0.716	0.854
	WLAN5GHz	802.11a 6Mbps	Bottom Face	0cm	A	104	5520	12.86	13.50	1.159	98.56	1.015	-0.14	0.229	0.269
	WLAN5GHz	802.11a 6Mbps	Bottom Face	0cm	A	124	5620	16.22	17.00	1.197	98.56	1.015	0.07	0.601	0.730
	WLAN5GHz	802.11a 6Mbps	Bottom Face	0cm	A	132	5660	16.23	17.00	1.194	98.56	1.015	-0.1	0.674	0.817
	WLAN5GHz	802.11a 6Mbps	Edge 3	0cm	A	116	5580	16.30	17.00	1.175	98.56	1.015	-0.06	0.329	0.392
04	WLAN5GHz	802.11a 6Mbps	Edge 4	0cm	A	116	5580	16.30	17.00	1.175	98.56	1.015	-0.09	0.717	0.855
	WLAN5GHz	802.11a 6Mbps	Edge 4	0cm	A	104	5520	12.86	13.50	1.159	98.56	1.015	-0.13	0.259	0.305
	WLAN5GHz	802.11a 6Mbps	Edge 4	0cm	A	124	5620	16.22	17.00	1.197	98.56	1.015	-0.09	0.596	0.724
	WLAN5GHz	802.11a 6Mbps	Edge 4	0cm	A	132	5660	16.23	17.00	1.194	98.56	1.015	-0.08	0.461	0.559
	WLAN5GHz	802.11ac-VHT80 MCS0	Edge 4	0cm	A	122	5610	13.88	14.00	1.028	94.02	1.064	0.02	0.469	0.513
	WLAN5GHz	802.11ac-VHT80 MCS0	Edge 4	0cm	A	106	5530	8.74	9.00	1.062	94.02	1.064	-0.04	0.107	0.121
	WLAN5GHz	802.11ac-VHT80 MCS0	Edge 4	0cm	A	138	5690	8.46	9.00	1.132	94.02	1.064	-0.14	0.137	0.165
	WLAN5GHz	802.11a 6Mbps	Bottom Face	0cm	B	116	5580	16.19	16.50	1.073	98.56	1.015	-0.16	0.625	0.681
	WLAN5GHz	802.11a 6Mbps	Bottom Face	0cm	B	104	5520	13.24	14.00	1.191	98.56	1.015	-0.13	0.300	0.363
	WLAN5GHz	802.11a 6Mbps	Bottom Face	0cm	B	120	5600	16.18	16.50	1.076	98.56	1.015	-0.04	0.585	0.639
	WLAN5GHz	802.11a 6Mbps	Bottom Face	0cm	B	132	5660	15.99	16.50	1.125	98.56	1.015	-0.06	0.686	0.783
	WLAN5GHz	802.11ac-VHT80 MCS0	Bottom Face	0cm	B	122	5610	13.86	14.00	1.033	98.56	1.015	-0.17	0.440	0.461
	WLAN5GHz	802.11ac-VHT80 MCS0	Bottom Face	0cm	B	106	5530	8.70	9.00	1.071	98.56	1.015	0.03	0.166	0.181
	WLAN5GHz	802.11ac-VHT80 MCS0	Bottom Face	0cm	B	138	5690	8.92	9.50	1.144	98.56	1.015	-0.02	0.188	0.218
	WLAN5GHz	802.11a 6Mbps	Edge 1	0cm	B	116	5580	16.19	16.50	1.073	98.56	1.015	-0.02	0.232	0.253
	WLAN5GHz	802.11a 6Mbps	Edge 4	0cm	B	116	5580	16.19	16.50	1.073	98.56	1.015	0.1	0.356	0.388
05	WLAN5GHz	802.11a 6Mbps	Bottom Face	0cm	A	165	5825	16.78	17.00	1.052	98.56	1.015	-0.03	0.634	0.677
	WLAN5GHz	802.11a 6Mbps	Bottom Face	0cm	A	149	5745	16.38	17.00	1.153	98.56	1.015	-0.07	0.568	0.665
	WLAN5GHz	802.11a 6Mbps	Bottom Face	0cm	A	157	5785	16.64	17.00	1.086	98.56	1.015	-0.08	0.548	0.604
	WLAN5GHz	802.11ac-VHT80 MCS0	Bottom Face	0cm	A	155	5775	14.40	15.00	1.148	94.02	1.064	0.07	0.359	0.439
	WLAN5GHz	802.11a 6Mbps	Edge 3	0cm	A	165	5825	16.78	17.00	1.052	98.56	1.015	-0.03	0.250	0.267
	WLAN5GHz	802.11a 6Mbps	Edge 4	0cm	A	165	5825	16.78	17.00	1.052	98.56	1.015	-0.02	0.527	0.563
	WLAN5GHz	802.11a 6Mbps	Bottom Face	0cm	B	149	5745	15.62	16.00	1.091	98.56	1.015	-0.18	0.585	0.648
	WLAN5GHz	802.11a 6Mbps	Bottom Face	0cm	B	157	5785	15.29	16.00	1.178	98.56	1.015	0.02	0.548	0.655
	WLAN5GHz	802.11a 6Mbps	Bottom Face	0cm	B	161	5805	15.20	16.00	1.202	98.56	1.015	-0.06	0.487	0.594
	WLAN5GHz	802.11a 6Mbps	Edge 1	0cm	B	149	5745	15.62	16.00	1.091	98.56	1.015	-0.08	0.252	0.279
	WLAN5GHz	802.11a 6Mbps	Edge 4	0cm	B	149	5745	15.62	16.00	1.091	98.56	1.015	-0.02	0.595	0.659
	WLAN5GHz	802.11a 6Mbps	Edge 4	0cm	B	157	5785	15.29	16.00	1.178	98.56	1.015	-0.07	0.495	0.592
	WLAN5GHz	802.11a 6Mbps	Edge 4	0cm	B	161	5805	15.20	16.00	1.202	98.56	1.015	0.06	0.487	0.594
	WLAN5GHz	802.11ac-VHT80 MCS0	Edge 4	0cm	B	155	5775	14.75	15.00	1.059	94.83	1.055	0.02	0.377	0.421

**15.2 Repeated SAR Measurement**

No.	Band	Mode	Test Position	Gap (cm)	Antenna	Ch.	Freq. (MHz)	Average Power (dBm)	Tune-Up Limit (dBm)	Tune-up Scaling Factor	Duty Cycle %	Duty Cycle Scaling Factor	Power Drift (dB)	Measured 1g SAR (W/kg)	Ratio	Reported 1g SAR (W/kg)
1st	WLAN5GHz	802.11a 6Mbps	Bottom Face	0cm	B	60	5300	15.34	15.50	1.038	98.56	1.015	0.06	0.815	-	0.858
2nd	WLAN5GHz	802.11a 6Mbps	Bottom Face	0cm	B	60	5300	15.34	15.50	1.038	98.56	1.015	0.03	0.803	1.01	0.846

**General Note:**

- Per KDB 865664 D01v01r03, for each frequency band, repeated SAR measurement is required only when the measured SAR is  $\geq 0.8W/kg$
- Per KDB 865664 D01v01r03, if the ratio among the repeated measurement is  $\leq 1.2$  and the measured SAR  $< 1.45W/kg$ , only one repeated measurement is required.
- The ratio is the difference in percentage between original and repeated *measured SAR*.
- All measurement SAR result is scaled-up to account for tune-up tolerance and is compliant.

**16. Simultaneous Transmission Analysis**

NO.	Simultaneous Transmission Configurations	Supported
1.	WLAN Antenna A + WLAN Antenna B	Yes
2.	WLAN Antenna A + Bluetooth Antenna B	Yes

**General Note:**

- WLAN RF exposure assessment of MIMO mode simultaneous transmission exclusion analysis was performed with SAR test results of each antenna in SISO mode. Therefore SPLSR calculation was choose worst case with SAR test results of each antenna in SISO mode perform evaluation.
- EUT will choose either WLAN 2.4GHz or WLAN 5GHz according to the network signal condition; therefore, 2.4GHz WLAN and 5GHz WLAN will not operate simultaneously at any moment.
- The Scaled SAR summation is calculated based on the same configuration and test position.
- Per KDB 447498 D01v05r02, simultaneous transmission SAR is compliant if,
  - Scalar SAR summation  $< 1.6W/kg$ .
  - $SPLSR = (SAR1 + SAR2)^{1.5} / (\text{min. separation distance, mm})$ , and the peak separation distance is determined from the square root of  $[(x1-x2)^2 + (y1-y2)^2 + (z1-z2)^2]$ , where  $(x1, y1, z1)$  and  $(x2, y2, z2)$  are the coordinates of the extrapolated peak SAR locations in the zoom scan.
  - If  $SPLSR \leq 0.04$ , simultaneously transmission SAR measurement is not necessary.
  - Simultaneously transmission SAR measurement, and the reported multi-band SAR  $< 1.6W/kg$ .
  - The SPLSR calculated results please refer to section 16.2.
- For simultaneous transmission analysis, Bluetooth SAR is estimated per KDB 447498 D01v05r02 based on the formula below.
  - $(\text{max. power of channel, including tune-up tolerance, mW}) / (\text{min. test separation distance, mm}) \cdot [\sqrt{f(\text{GHz})} / x] W/kg$  for test separation distances  $\leq 50$  mm; where  $x = 7.5$  for 1-g SAR, and  $x = 18.75$  for 10-g SAR.
  - When the minimum separation distance is  $< 5mm$ , the distance is used 5mm to determine SAR test exclusion.
  - 0.4 W/kg for 1-g SAR and 1.0 W/kg for 10-g SAR, when the test separation distances is  $> 50$  mm.
  - Bluetooth estimated SAR is conservatively determined by 5mm separation, for all applicable exposure positions.

Bluetooth Max Power	Exposure Position	All Positions
7 dBm	Estimated SAR (W/kg)	0.210 W/kg

**16.1 Body Exposure Conditions**

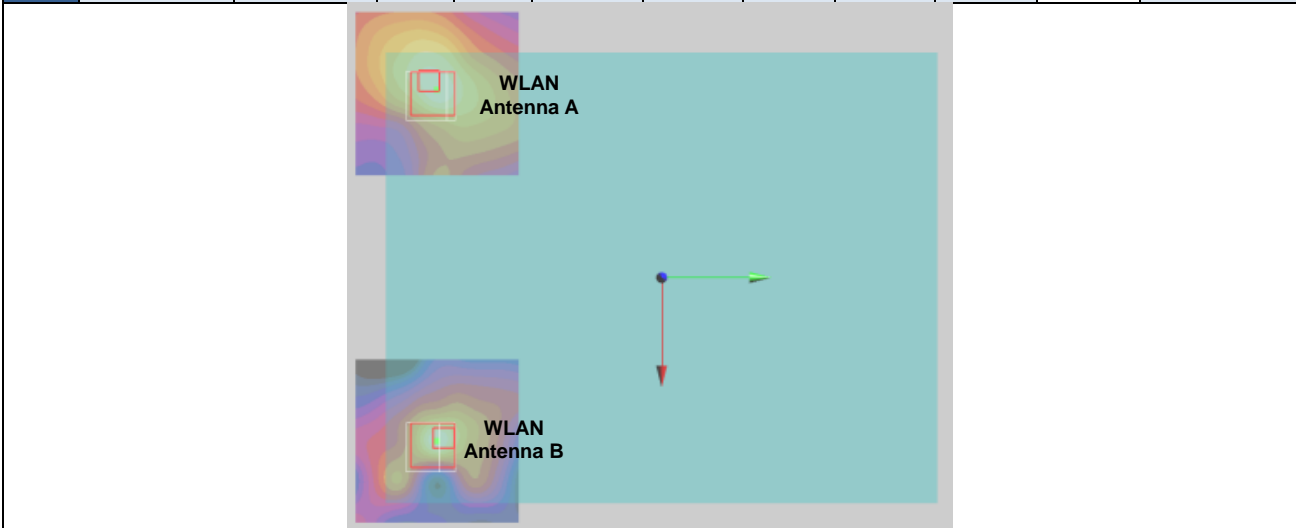
Band	Exposure Position	1		2		3	1+2 Summed SAR (W/kg)	2+3 Summed SAR (W/kg)	SPLSR	Case No
		WLAN Antenna A		WLAN Antenna B		2.4GHz Bluetooth				
		Band	SAR (W/kg)	Band	SAR (W/kg)	Estimated SAR (W/kg)				
2.4GHz and 5.8GHz WLAN	Bottom Face at 0cm	5.8G	0.677	5.8G	0.655	0.210	1.33	0.87		
	Edge1 at 0cm			5.8G	0.279	0.210	0.28	0.49		
	Edge3 at 0cm	5.8G	0.267			0.210	0.27	0.21		
	Edge4 at 0cm	5.8G	0.563	5.8G	0.659	0.210	1.22	0.87		
5.2GHz and 5.3GHz and 5.5GHz WLAN	Bottom Face at 0cm	5.5G	0.854	5.3G	0.858	0.210	1.71	1.07	0.01	Case 1
	Edge1 at 0cm			5.5G	0.253	0.210	0.25	0.46		
	Edge3 at 0cm	5.5G	0.392			0.210	0.39	0.21		
	Edge4 at 0cm	5.5G	0.855	5.3G	0.400	0.210	1.26	0.61		

**16.2 SPLSR Evaluation and Analysis**

**General Note:**

- SPLSR =  $(SAR_1 + SAR_2)^{1.5} / (\text{min. separation distance, mm})$ . If  $SPLSR \leq 0.04$ , simultaneously transmission SAR measurement is not necessary

Case 1	Band	Position	SAR (W/kg)	Gap (cm)	SAR peak location (m)			3D distance (mm)	Summed SAR (W/kg)	SPLSR Results	Simultaneous SAR
					X	Y	Z				
	5.5GHz Ant. A	Bottom Face	0.854	0	-0.093	-0.105	-0.179	172.0	1.71	0.01	Not required
	5.3GHz Ant. B		0.858	0	0.079	-0.109	-0.178				



Test Engineer : Mood Huang, Domo Hsiao and Frank Wu

## **17. Uncertainty Assessment**

The component of uncertainty may generally be categorized according to the methods used to evaluate them. The evaluation of uncertainty by the statistical analysis of a series of observations is termed a Type A evaluation of uncertainty. The evaluation of uncertainty by means other than the statistical analysis of a series of observation is termed a Type B evaluation of uncertainty. Each component of uncertainty, however evaluated, is represented by an estimated standard deviation, termed standard uncertainty, which is determined by the positive square root of the estimated variance.

A Type A evaluation of standard uncertainty may be based on any valid statistical method for treating data. This includes calculating the standard deviation of the mean of a series of independent observations; using the method of least squares to fit a curve to the data in order to estimate the parameter of the curve and their standard deviations; or carrying out an analysis of variance in order to identify and quantify random effects in certain kinds of measurement.

A type B evaluation of standard uncertainty is typically based on scientific judgment using all of the relevant information available. These may include previous measurement data, experience, and knowledge of the behavior and properties of relevant materials and instruments, manufacture’s specification, data provided in calibration reports and uncertainties assigned to reference data taken from handbooks. Broadly speaking, the uncertainty is either obtained from an outdoor source or obtained from an assumed distribution, such as the normal distribution, rectangular or triangular distributions indicated in table below.

<b>Uncertainty Distributions</b>	<b>Normal</b>	<b>Rectangular</b>	<b>Triangular</b>	<b>U-Shape</b>
Multi-plying Factor <sup>(a)</sup>	1/k <sup>(b)</sup>	1/√3	1/√6	1/√2

(a) standard uncertainty is determined as the product of the multiplying factor and the estimated range of variations in the measured quantity

(b)  $\kappa$  is the coverage factor

**Table 17.1. Standard Uncertainty for Assumed Distribution**

The combined standard uncertainty of the measurement result represents the estimated standard deviation of the result. It is obtained by combining the individual standard uncertainties of both Type A and Type B evaluation using the usual “root-sum-squares” (RSS) methods of combining standard deviations by taking the positive square root of the estimated variances.

Expanded uncertainty is a measure of uncertainty that defines an interval about the measurement result within which the measured value is confidently believed to lie. It is obtained by multiplying the combined standard uncertainty by a coverage factor. Typically, the coverage factor ranges from 2 to 3. Using a coverage factor allows the true value of a measured quantity to be specified with a defined probability within the specified uncertainty range. For purpose of this document, a coverage factor two is used, which corresponds to confidence interval of about 95 %. The DASY uncertainty Budget is shown in the following tables.

Error Description	Uncertainty Value (±%)	Probability Distribution	Divisor	Ci (1g)	Ci (10g)	Standard Uncertainty (1g)	Standard Uncertainty (10g)
<b>Measurement System</b>							
Probe Calibration	6.0	Normal	1	1	1	± 6.0 %	± 6.0 %
Axial Isotropy	4.7	Rectangular	√3	0.7	0.7	± 1.9 %	± 1.9 %
Hemispherical Isotropy	9.6	Rectangular	√3	0.7	0.7	± 3.9 %	± 3.9 %
Boundary Effects	1.0	Rectangular	√3	1	1	± 0.6 %	± 0.6 %
Linearity	4.7	Rectangular	√3	1	1	± 2.7 %	± 2.7 %
System Detection Limits	1.0	Rectangular	√3	1	1	± 0.6 %	± 0.6 %
Readout Electronics	0.3	Normal	1	1	1	± 0.3 %	± 0.3 %
Response Time	0.8	Rectangular	√3	1	1	± 0.5 %	± 0.5 %
Integration Time	2.6	Rectangular	√3	1	1	± 1.5 %	± 1.5 %
RF Ambient Noise	3.0	Rectangular	√3	1	1	± 1.7 %	± 1.7 %
RF Ambient Reflections	3.0	Rectangular	√3	1	1	± 1.7 %	± 1.7 %
Probe Positioner	0.4	Rectangular	√3	1	1	± 0.2 %	± 0.2 %
Probe Positioning	2.9	Rectangular	√3	1	1	± 1.7 %	± 1.7 %
Max. SAR Eval.	1.0	Rectangular	√3	1	1	± 0.6 %	± 0.6 %
<b>Test Sample Related</b>							
Device Positioning	2.9	Normal	1	1	1	± 2.9 %	± 2.9 %
Device Holder	3.6	Normal	1	1	1	± 3.6 %	± 3.6 %
Power Drift	5.0	Rectangular	√3	1	1	± 2.9 %	± 2.9 %
<b>Phantom and Setup</b>							
Phantom Uncertainty	4.0	Rectangular	√3	1	1	± 2.3 %	± 2.3 %
Liquid Conductivity (Target)	5.0	Rectangular	√3	0.64	0.43	± 1.8 %	± 1.2 %
Liquid Conductivity (Meas.)	2.5	Normal	1	0.64	0.43	± 1.6 %	± 1.1 %
Liquid Permittivity (Target)	5.0	Rectangular	√3	0.6	0.49	± 1.7 %	± 1.4 %
Liquid Permittivity (Meas.)	2.5	Normal	1	0.6	0.49	± 1.5 %	± 1.2 %
<b>Combined Standard Uncertainty</b>						± 11.0 %	± 10.8 %
<b>Coverage Factor for 95 %</b>						K=2	
<b>Expanded Uncertainty</b>						± 22.0 %	± 21.5 %

**Table 17.2. Uncertainty Budget for frequency range 300 MHz to 3 GHz**



Error Description	Uncertainty Value (±%)	Probability Distribution	Divisor	Ci (1g)	Ci (10g)	Standard Uncertainty (1g)	Standard Uncertainty (10g)
<b>Measurement System</b>							
Probe Calibration	6.55	Normal	1	1	1	± 6.55 %	± 6.55 %
Axial Isotropy	4.7	Rectangular	√3	0.7	0.7	± 1.9 %	± 1.9 %
Hemispherical Isotropy	9.6	Rectangular	√3	0.7	0.7	± 3.9 %	± 3.9 %
Boundary Effects	2.0	Rectangular	√3	1	1	± 1.2 %	± 1.2 %
Linearity	4.7	Rectangular	√3	1	1	± 2.7 %	± 2.7 %
System Detection Limits	1.0	Rectangular	√3	1	1	± 0.6 %	± 0.6 %
Readout Electronics	0.3	Normal	1	1	1	± 0.3 %	± 0.3 %
Response Time	0.8	Rectangular	√3	1	1	± 0.5 %	± 0.5 %
Integration Time	2.6	Rectangular	√3	1	1	± 1.5 %	± 1.5 %
RF Ambient Noise	3.0	Rectangular	√3	1	1	± 1.7 %	± 1.7 %
RF Ambient Reflections	3.0	Rectangular	√3	1	1	± 1.7 %	± 1.7 %
Probe Positioner	0.8	Rectangular	√3	1	1	± 0.5 %	± 0.5 %
Probe Positioning	9.9	Rectangular	√3	1	1	± 5.7 %	± 5.7 %
Max. SAR Eval.	4.0	Rectangular	√3	1	1	± 2.3 %	± 2.3 %
<b>Test Sample Related</b>							
Device Positioning	2.9	Normal	1	1	1	± 2.9 %	± 2.9 %
Device Holder	3.6	Normal	1	1	1	± 3.6 %	± 3.6 %
Power Drift	5.0	Rectangular	√3	1	1	± 2.9 %	± 2.9 %
<b>Phantom and Setup</b>							
Phantom Uncertainty	4.0	Rectangular	√3	1	1	± 2.3 %	± 2.3 %
Liquid Conductivity (Target)	5.0	Rectangular	√3	0.64	0.43	± 1.8 %	± 1.2 %
Liquid Conductivity (Meas.)	2.5	Normal	1	0.64	0.43	± 1.6 %	± 1.1 %
Liquid Permittivity (Target)	5.0	Rectangular	√3	0.6	0.49	± 1.7 %	± 1.4 %
Liquid Permittivity (Meas.)	2.5	Normal	1	0.6	0.49	± 1.5 %	± 1.2 %
<b>Combined Standard Uncertainty</b>						± 12.8 %	± 12.6 %
<b>Coverage Factor for 95 %</b>						K=2	
<b>Expanded Uncertainty</b>						± 25.6 %	± 25.2 %

Table 17.3. Uncertainty Budget for frequency range 3 GHz to 6 GHz





## **18. References**

- [1] FCC 47 CFR Part 2 "Frequency Allocations and Radio Treaty Matters; General Rules and Regulations"
- [2] ANSI/IEEE Std. C95.1-1992, "IEEE Standard for Safety Levels with Respect to Human Exposure to Radio Frequency Electromagnetic Fields, 3 kHz to 300 GHz", September 1992
- [3] IEEE Std. 1528-2003, "Recommended Practice for Determining the Peak Spatial-Average Specific Absorption Rate (SAR) in the Human Head from Wireless Communications Devices: Measurement Techniques", December 2003
- [4] SPEAG DASY System Handbook
- [5] FCC KDB 248227 D01 v01r02, "SAR Measurement Procedures for 802.11 a/b/g Transmitters", May 2007
- [6] FCC KDB 447498 D01 v05r02, "Mobile and Portable Device RF Exposure Procedures and Equipment Authorization Policies", Feb 2014
- [7] FCC KDB 616217 D04 v01r01, "SAR Evaluation Considerations for Laptop, Notebook, Netbook and Tablet Computers", May 2013
- [8] FCC KDB 865664 D01 v01r03, "SAR Measurement Requirements for 100 MHz to 6 GHz", Feb 2014.
- [9] FCC KDB 865664 D02 v01r01, "RF Exposure Compliance Reporting and Documentation Considerations" May 2013.