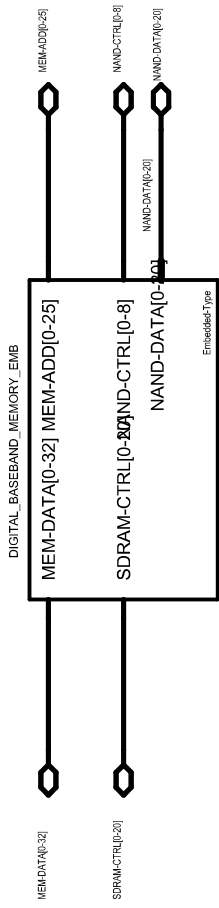
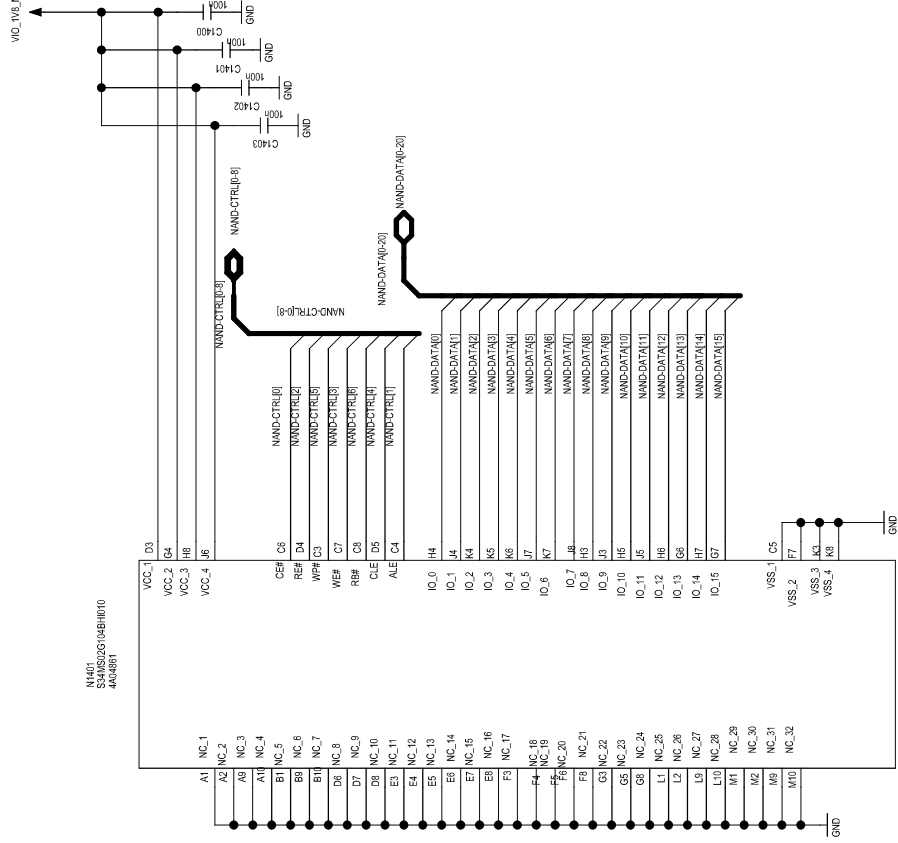
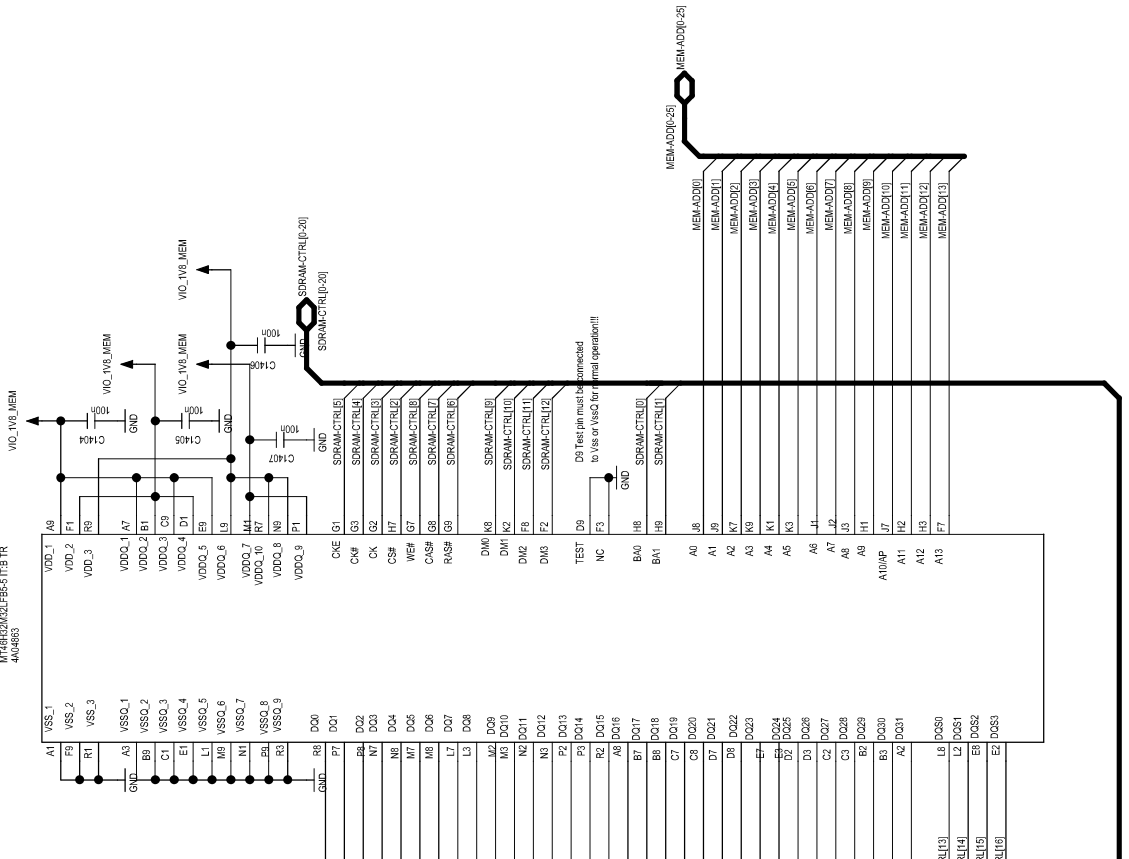


The singular grounds must be separated from other ground to minimize the effects of ground noise.

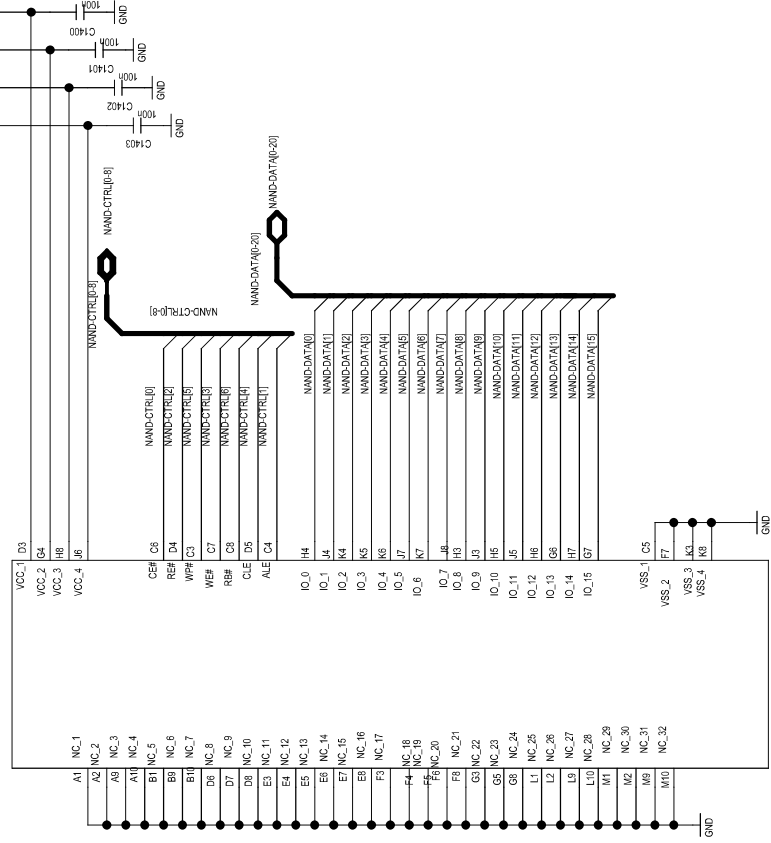
AVSS1 PIN C7 GROUND CHECK FROM TPS69680 LAYOUT GUIDE!!!

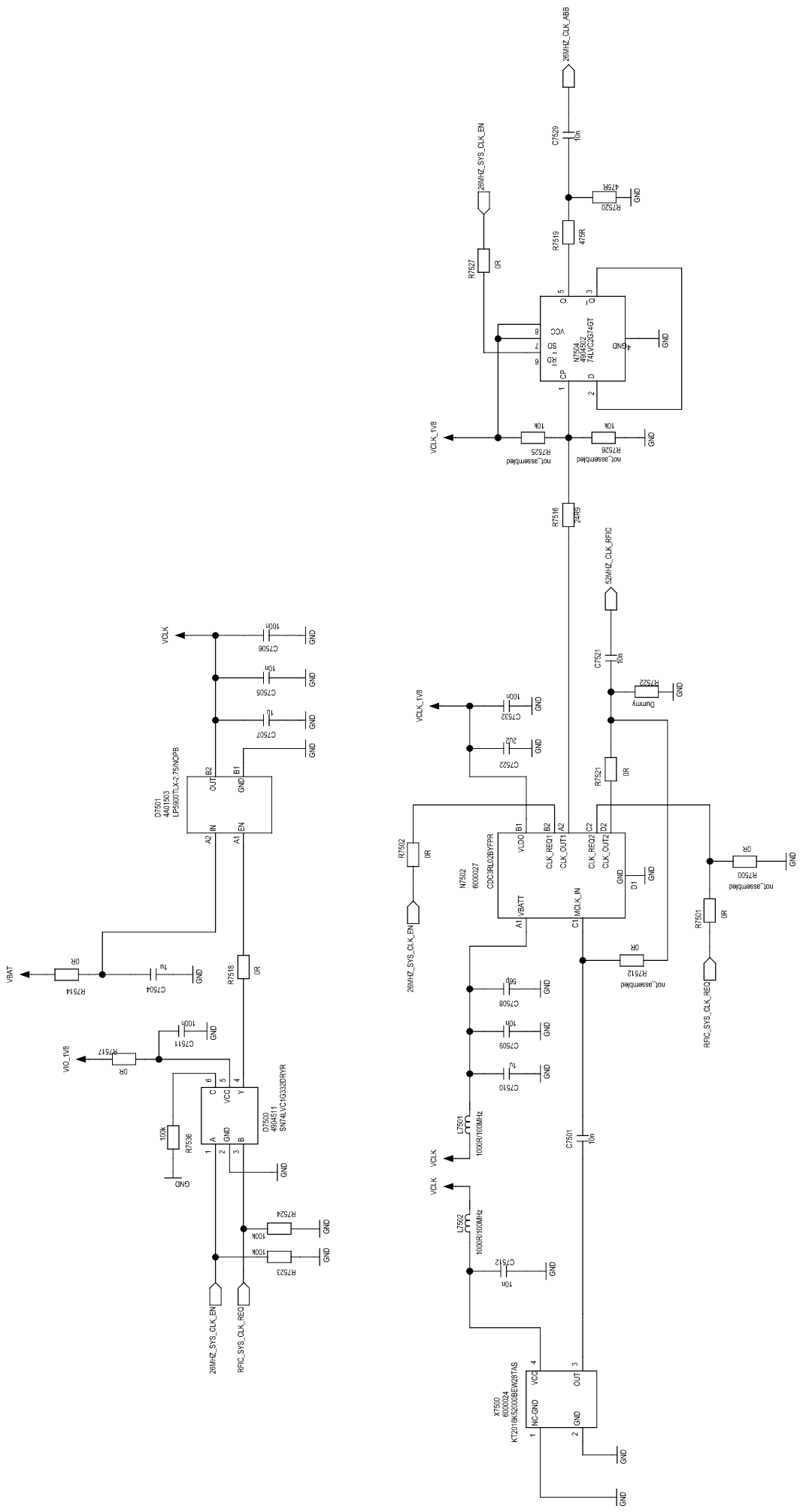


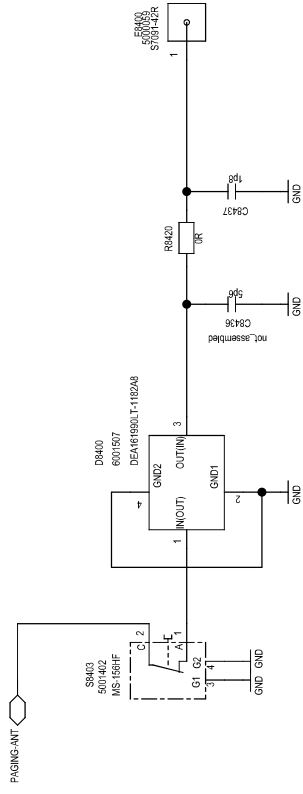
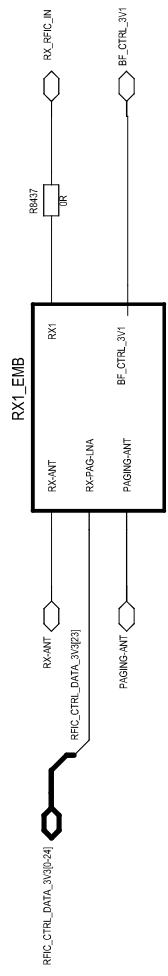
M1400
MT48H32M2LF66-5 TR3 TR
44N4863

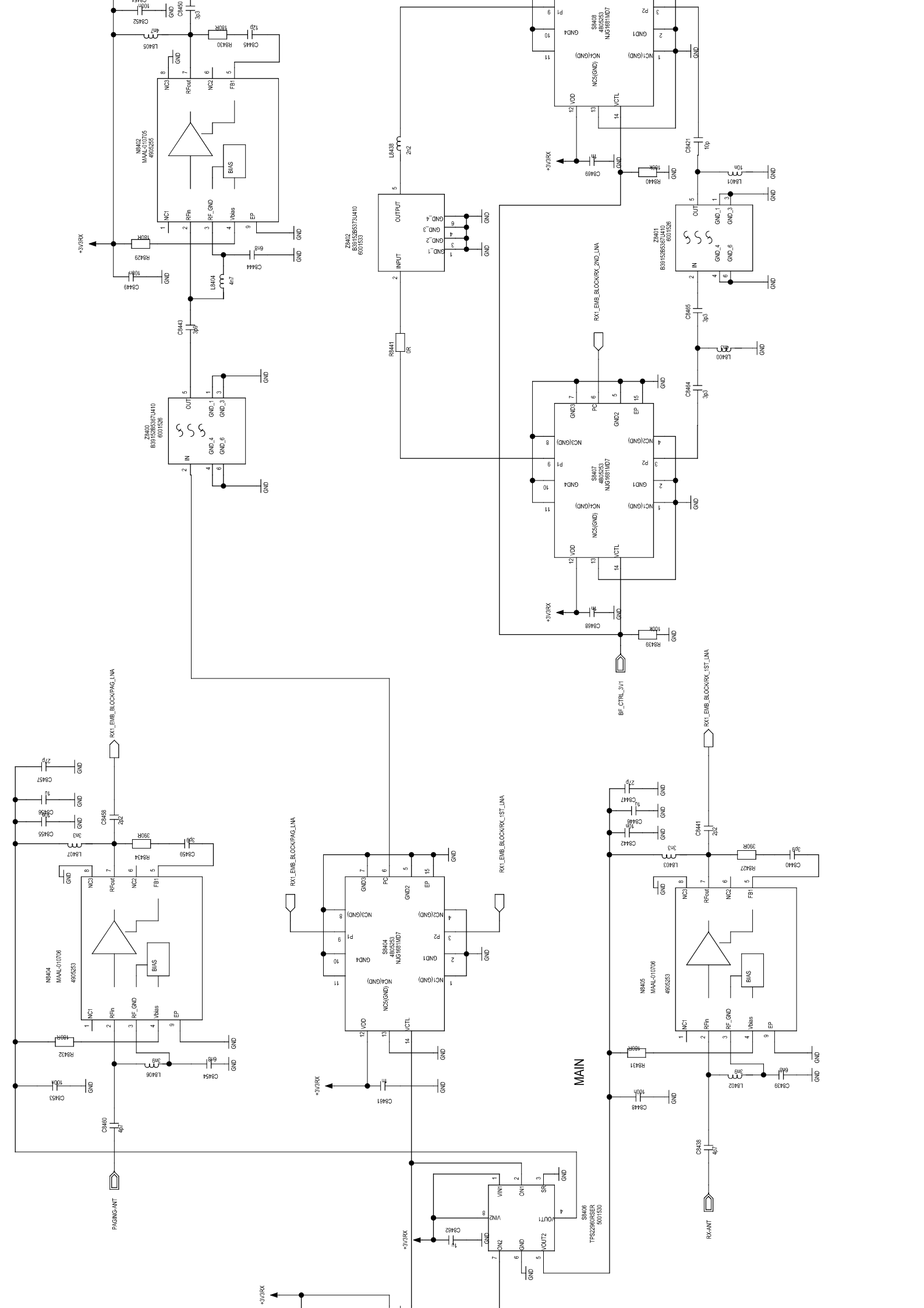


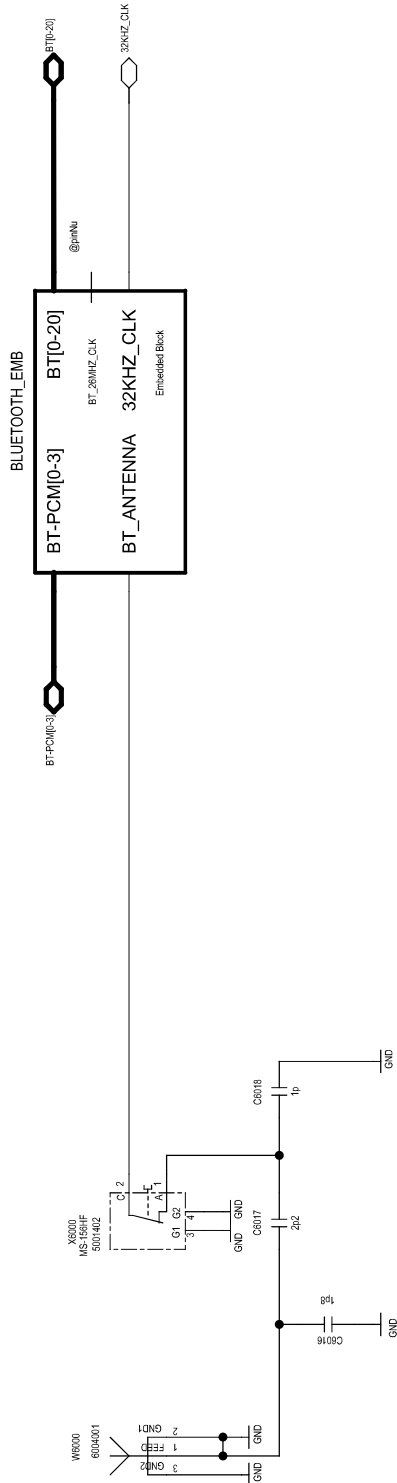
M1400
MT48H32M2LF66-5 TR3 TR
44N4863







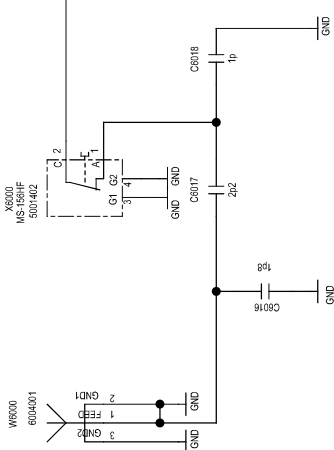


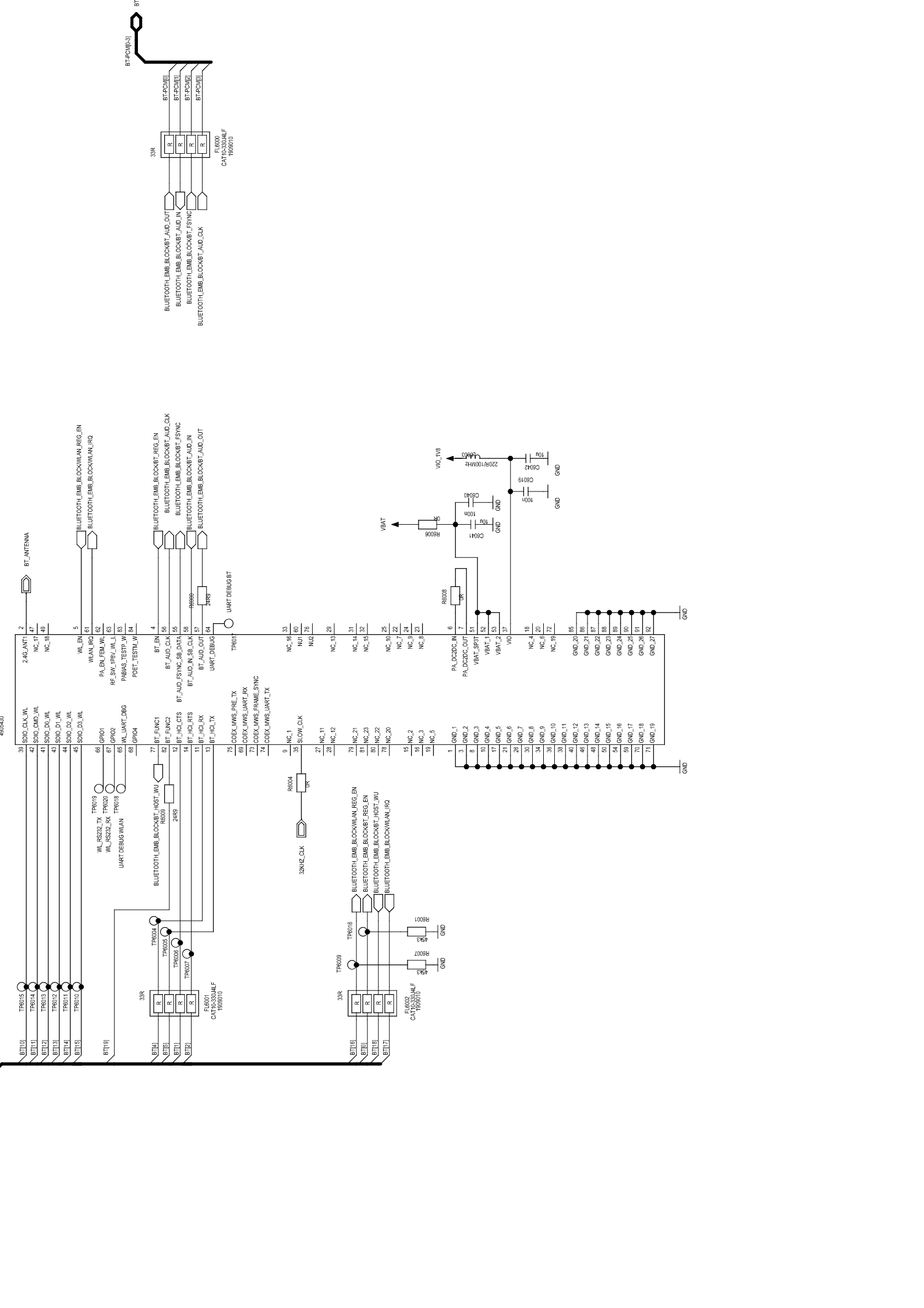


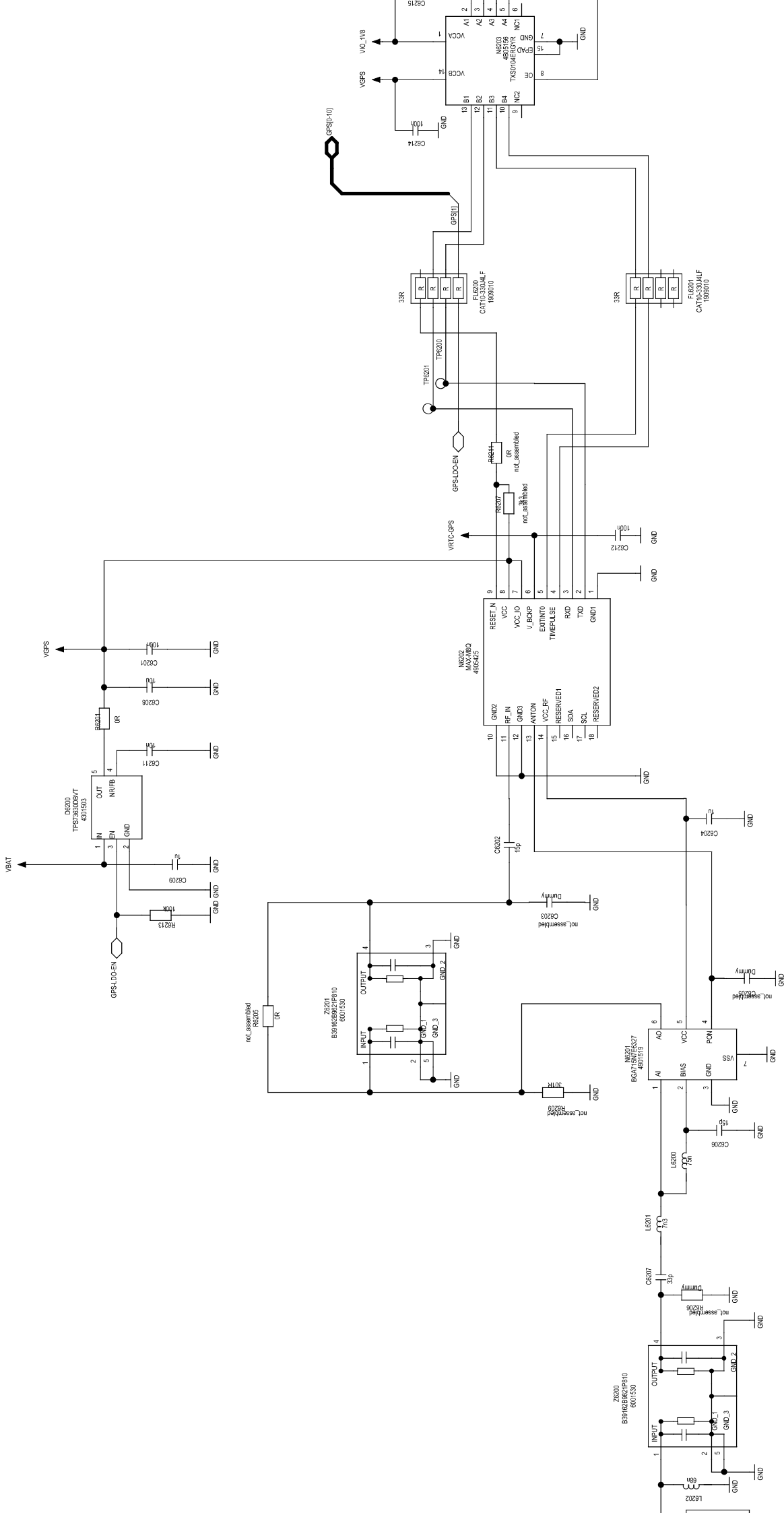
BLUETOOTH_LEMB

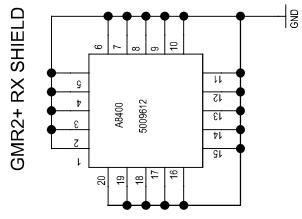
BT-PCM[0-3] BT[0-20]
 BT_20MHZ_CLK
 BT_ANTENNA 32KHZ_CLK
 Embedded Block

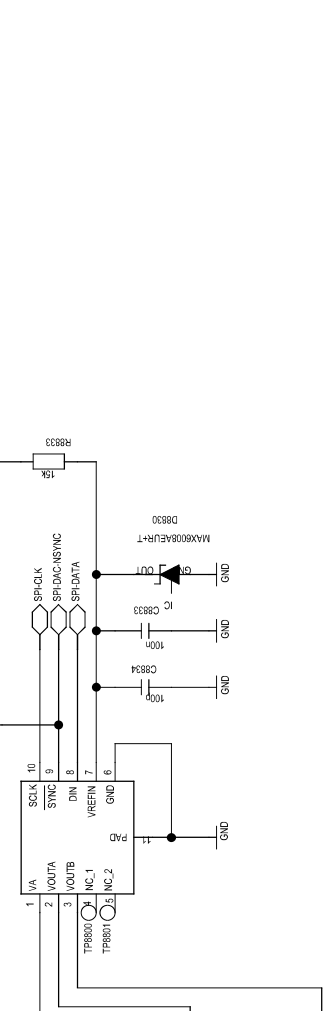
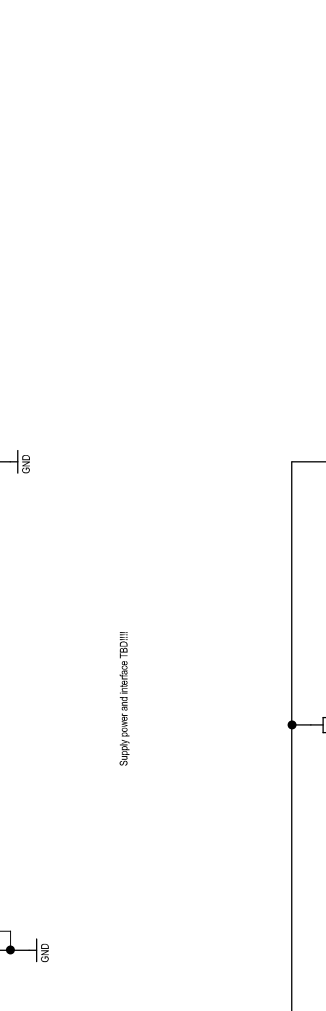
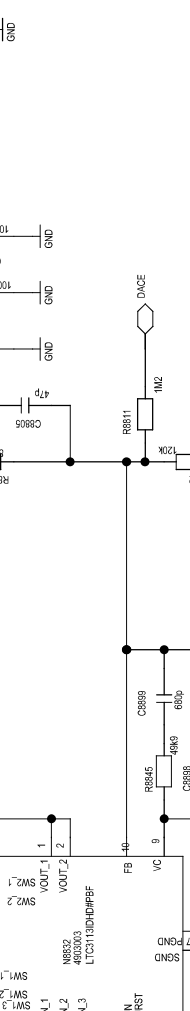
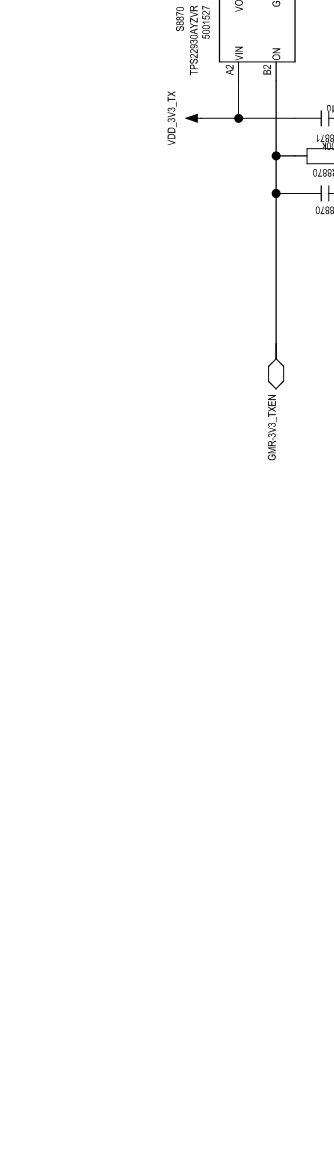
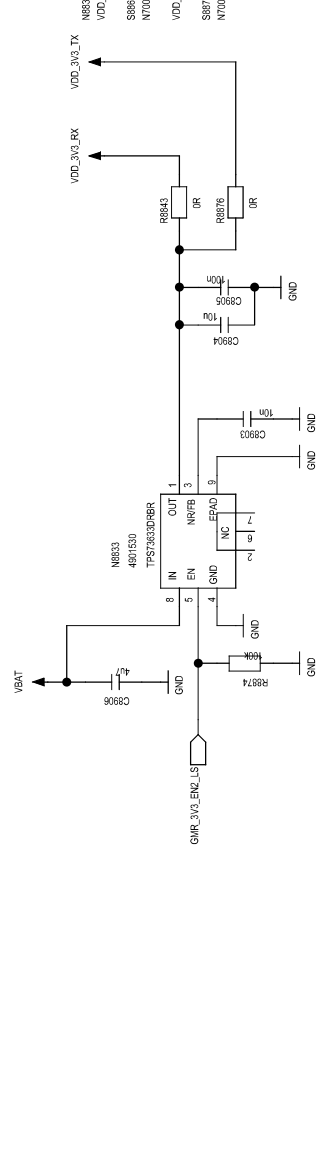
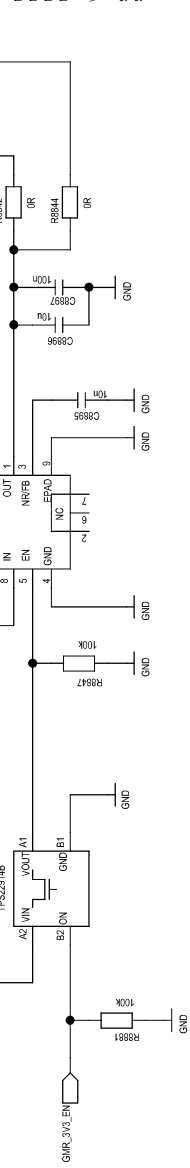
BT-PCM[0-3] @pinA 32KHZ_CLK



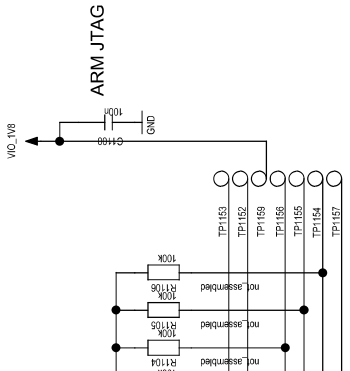




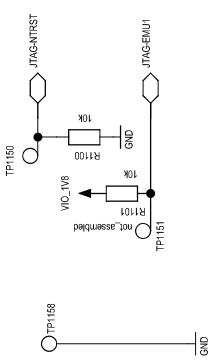




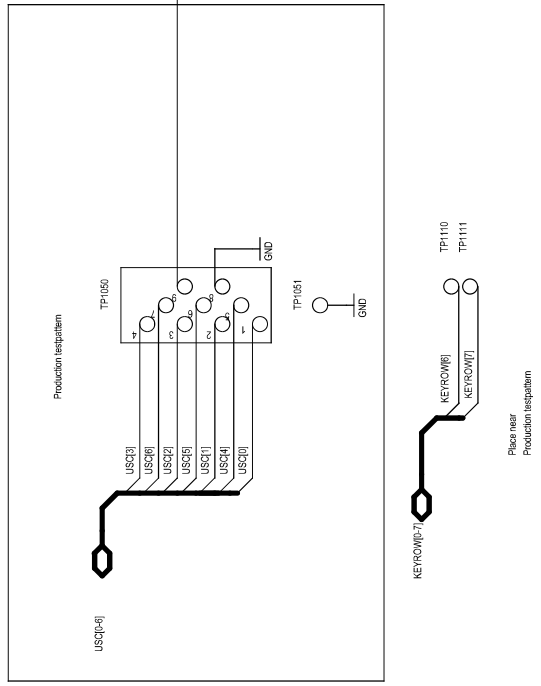
<< SIM LEVEL SHIFTER REGULATOR



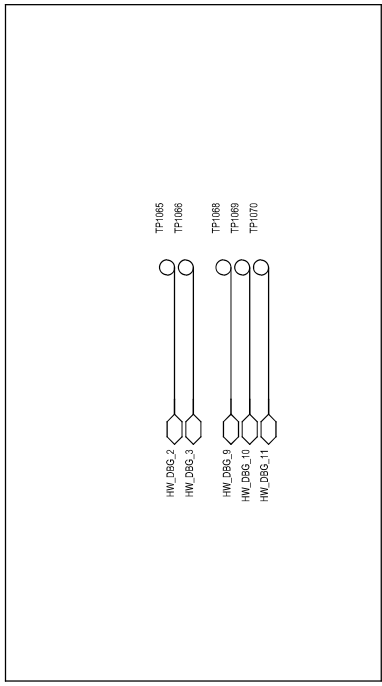
ARM JTAG



PLACE 24R9 RESISTORS CLOSE TO PINHEADER -> WING

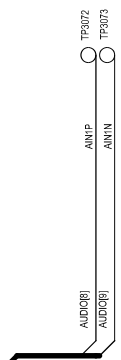


HSL interface



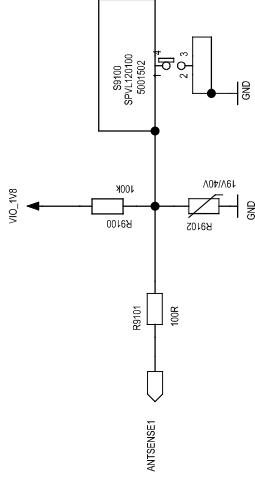
4 wire IF

AND AUDIO[0] TP3074 MOVED TO AUDIO SHEET 2427

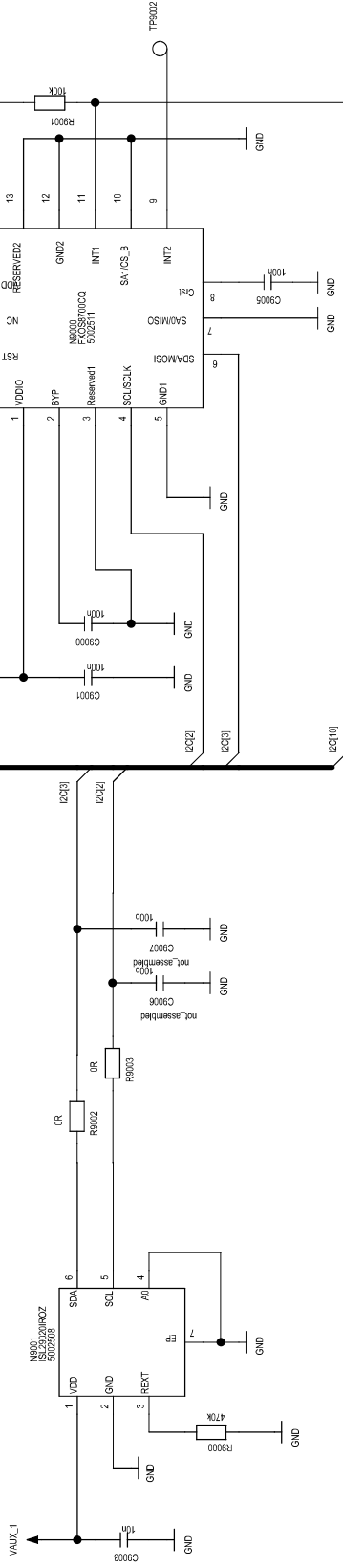


WIRE IF TESTPOINT LOCATIONS TBD AT AUDIO END!!!!

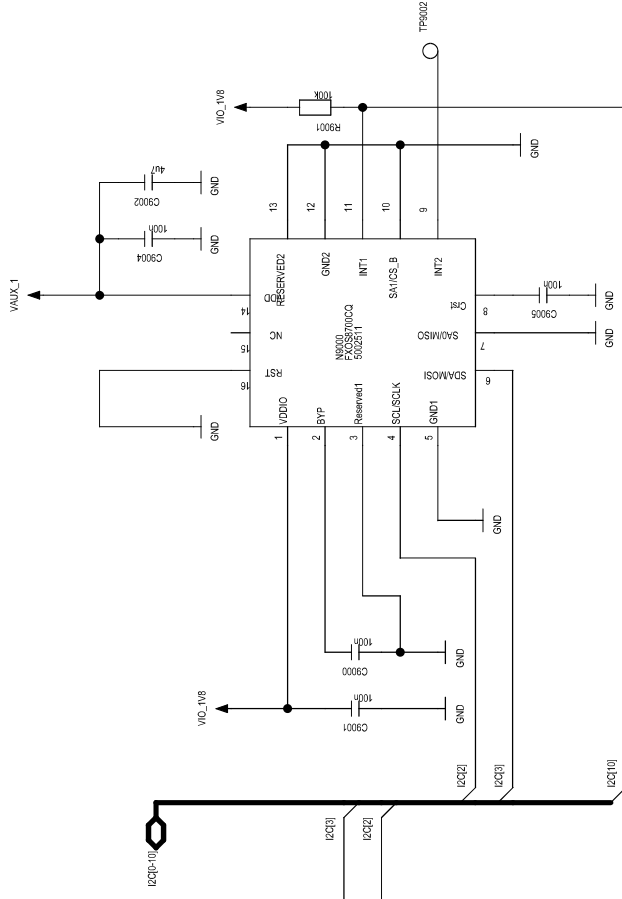
ANTENNA DETECTION SWITCH

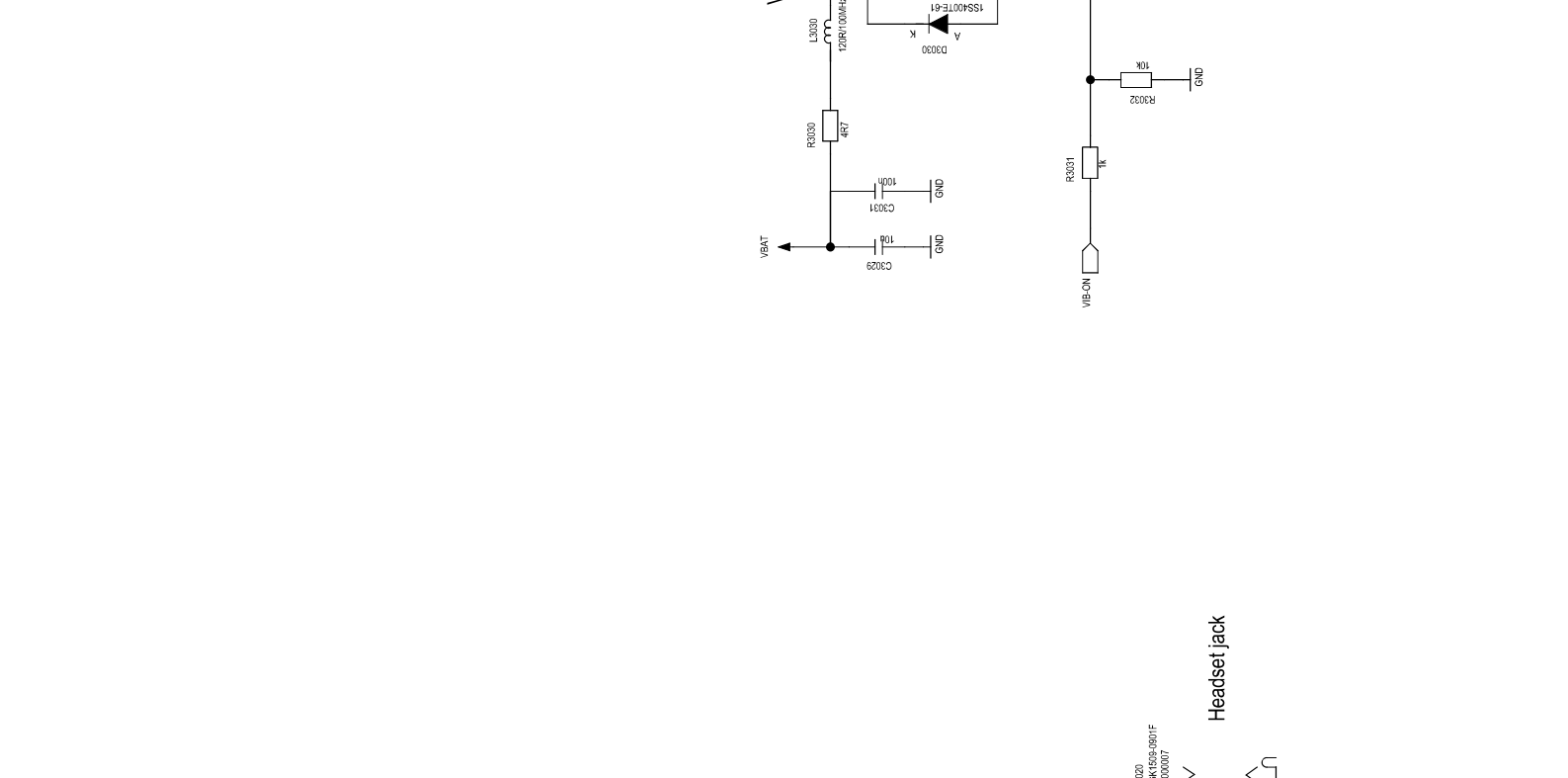
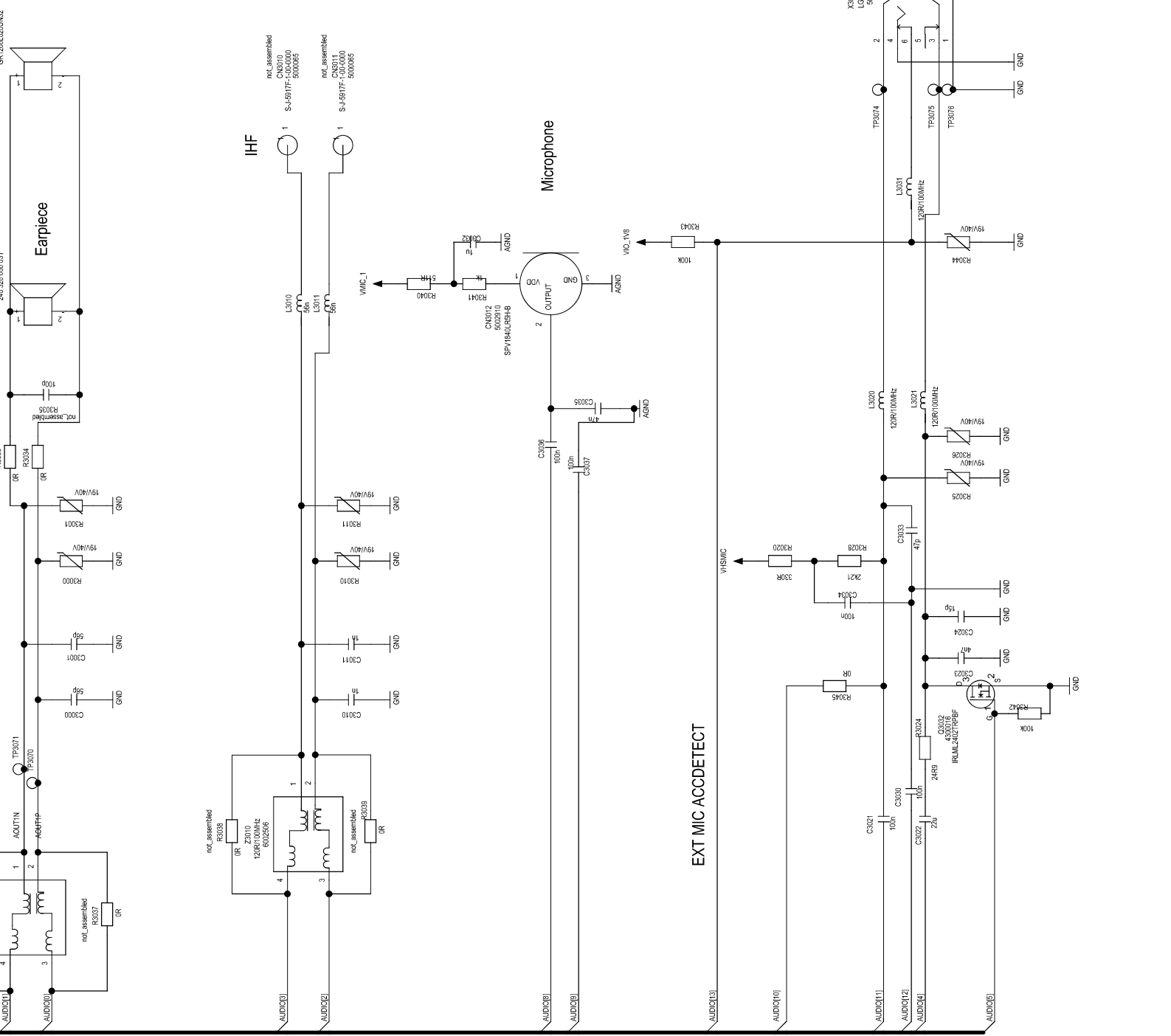


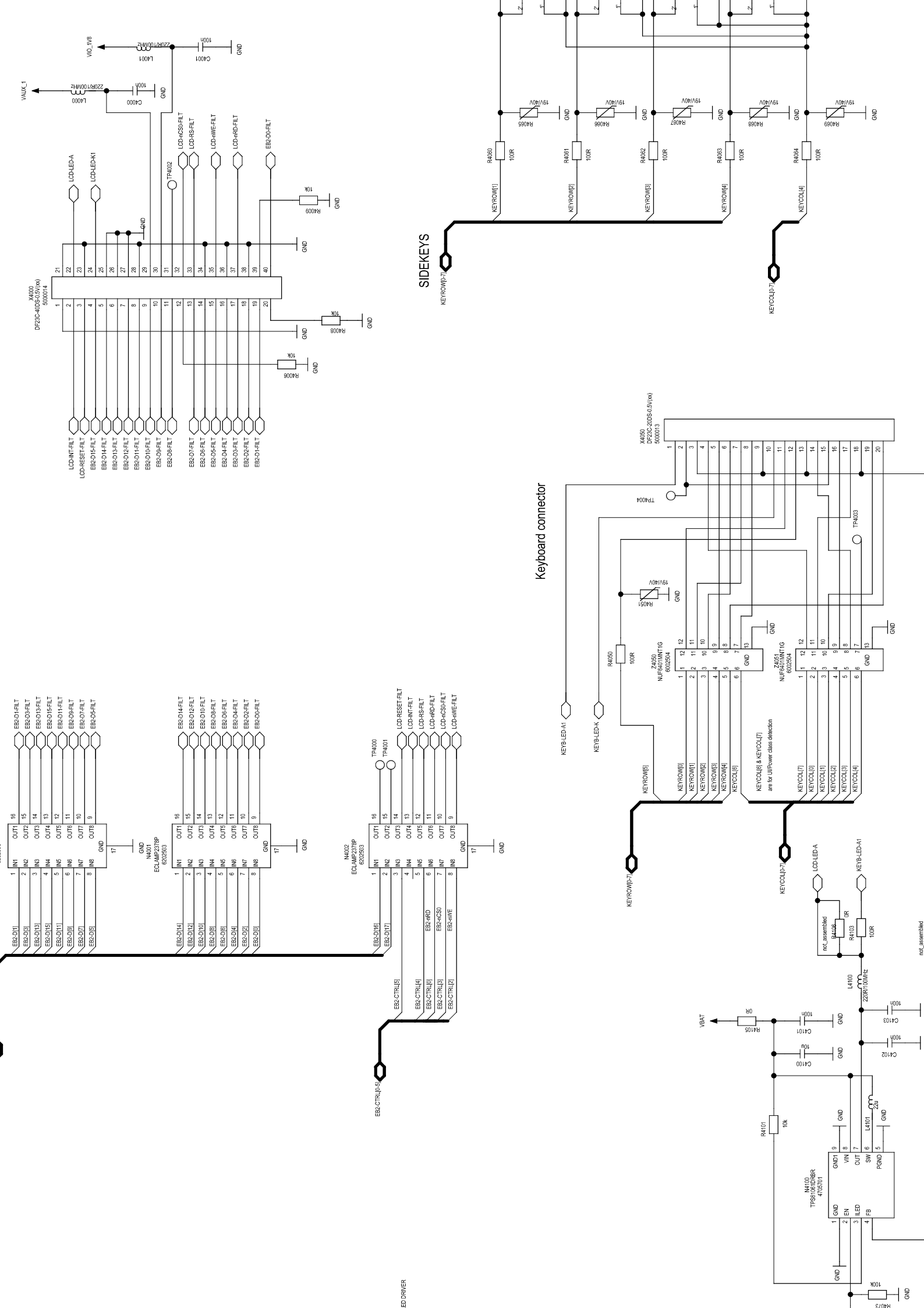
Ambient light sensor



Magnetometer

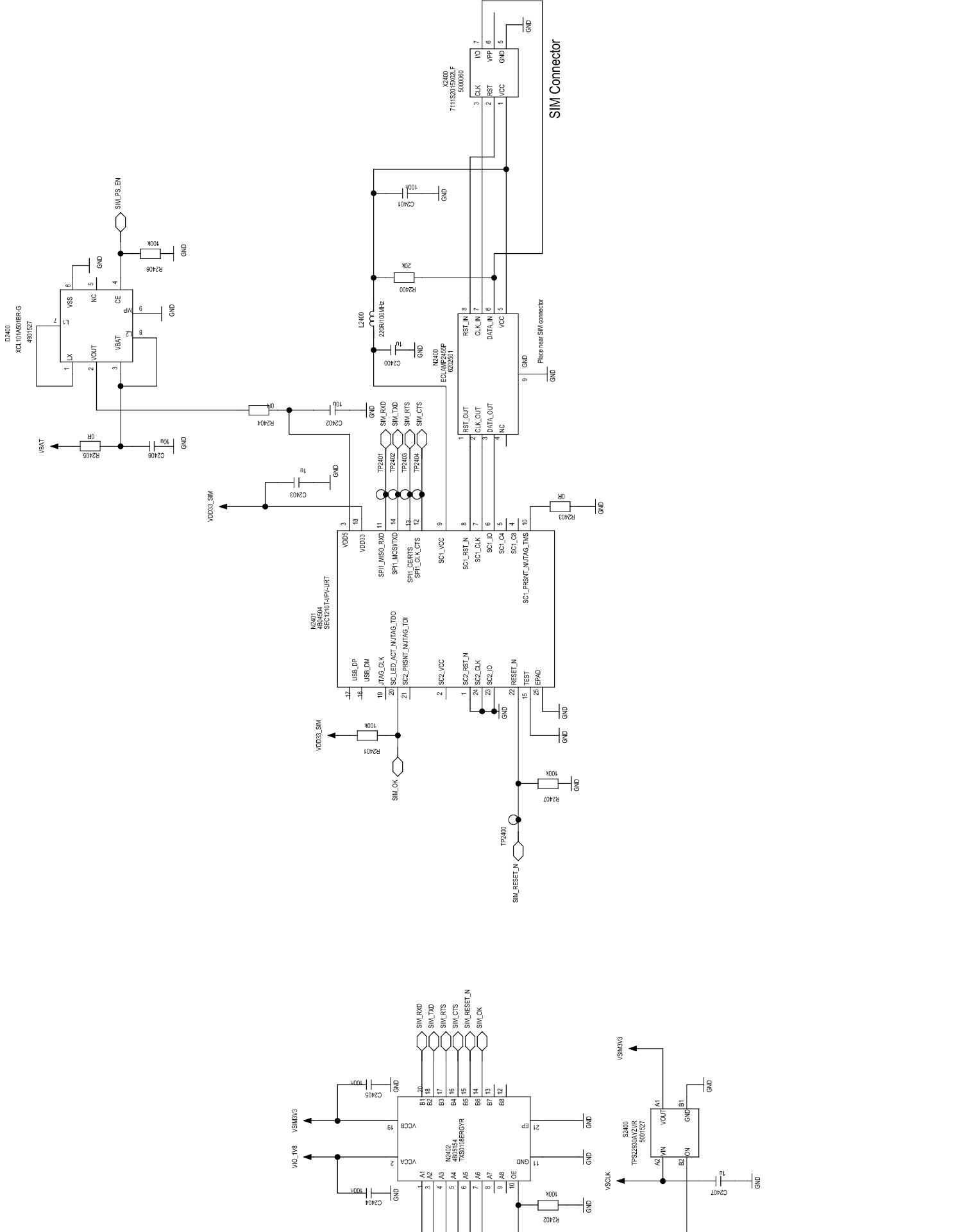






ED DRIVER

not_assembled



VAM SPECIFIC GPIO's

