

AeroAntenna Technology, Inc.

20732 Lassen Street, Chatsworth, CA 91311

Phone: (818) 993-3842 Fax: (818) 993-4525

IsatPhone Pro External Antenna Kit

Antenna Model Number: AT1595-90

User Manual



Rev History

Rev	Changes
1	<ul style="list-style-type: none">• First version.
2	<ul style="list-style-type: none">• Changed cover art picture• Change order of assembly in sec 4.6• Added sec 4.8 alternative mounting options• Added sec 4.9 bind long cables together

1 Introduction

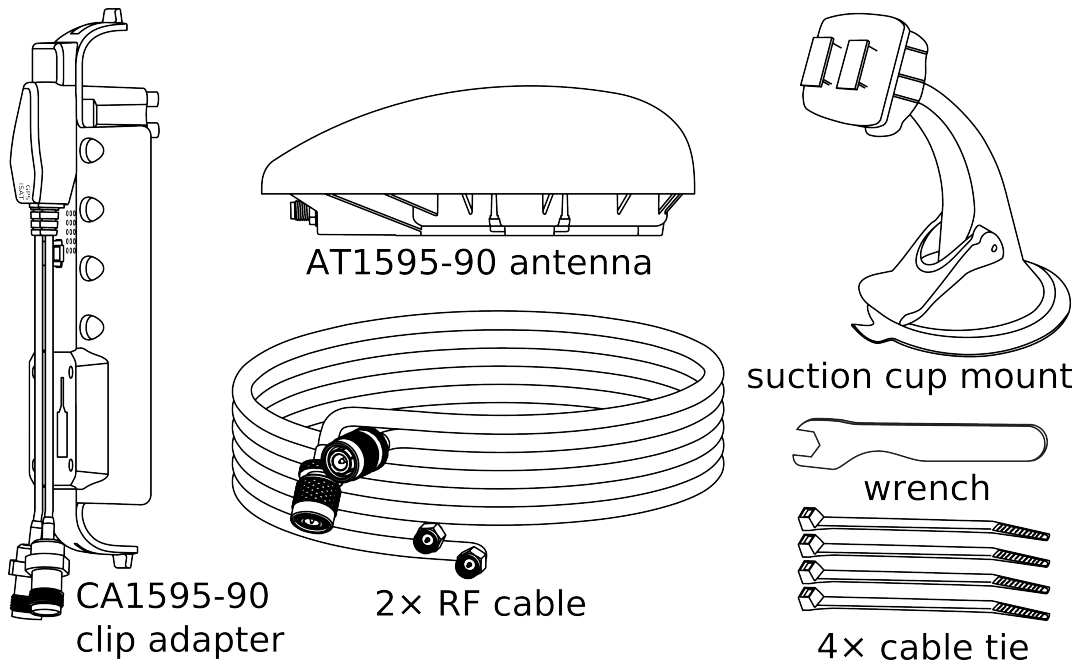
The External Antenna (AT1595-90) is an accessory designed for use with the IsatPhone Pro on land vehicles. The antenna is sold as part of a kit (see **3 Antenna Kit Contents** for detailed contents). When the IsatPhone Pro is connected to the antenna it is possible for a user to maintain a link to the satellite while making calls in a moving or stationary land vehicle.

2 Important Safety Information About Exposure to RF Signals



The AT1595-90 is an accessory antenna to the IsatPhone Pro handset. The IsatPhone Pro is a radio transmitter and receiver; when turned on, it emits low levels of radio frequency energy. Refer to the IsatPhone Pro User Manual for more information on potential radio frequency hazards.

3 Antenna Kit Contents



4 Connecting Your Antenna

4.1 Connect cable to antenna

Connect both cables to the antenna. Use the supplied wrench to ensure a good connection.

4.2 Place antenna on roof of vehicle

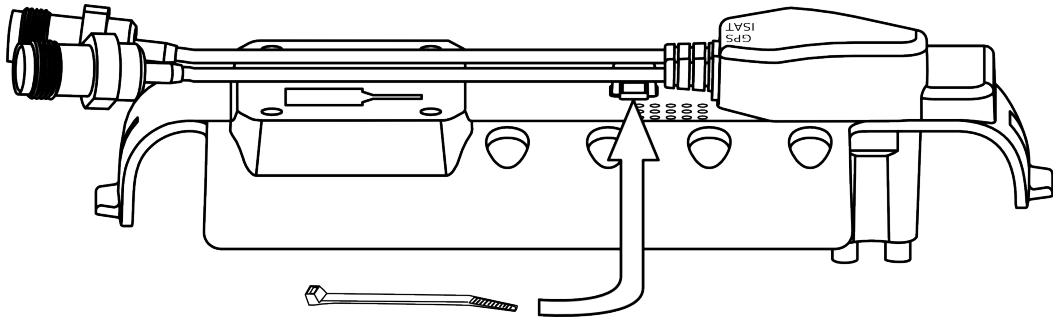
For best results the antenna should be positioned on a flat portion of the roof of the car where it will have a clear, unobstructed view of the sky in all directions. Further, for optimal performance the antenna should be placed away from the edge of the roof and towards the center.

4.3 Route cables into vehicle

The cables can now be routed into the vehicle. In many vehicles, the door seals are sufficiently pliable that they will not damage the cables when the door is closed.


4.4 Affix RF cables to clip with cable tie

For added cable strain relief, use the provided cable tie to firmly secure the short RF cables on the clip adapter to the clip adapter body.



4.5 Connect 1.5m RF cables to clip adapter

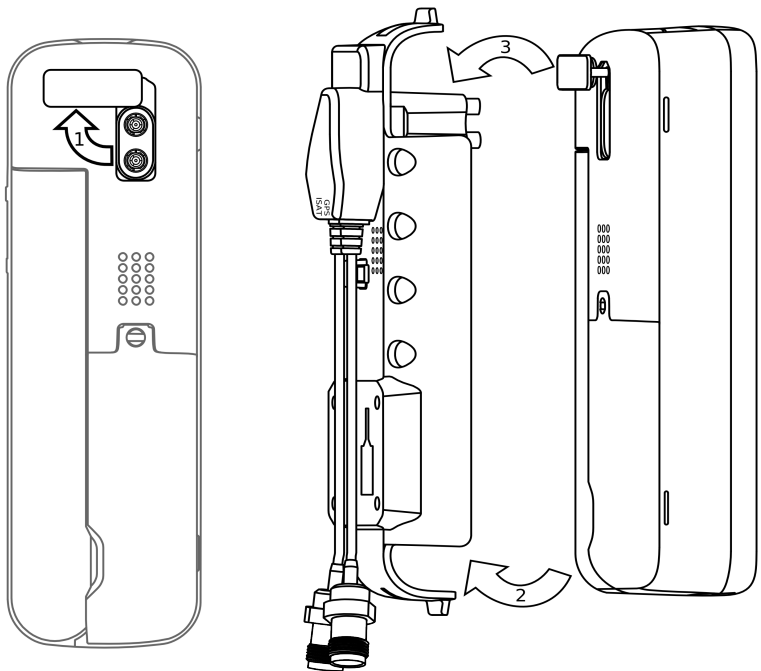
When connecting cables to the clip adapter, care needs to be taken to connect to the correct ports: match the cable connected to the GPS port on the antenna to the GPS port on the clip. And likewise, match the cable connected to the ISAT port on the antenna to the ISAT port on the clip.

 If the cables are inadvertently cross-matched, there will be no signal bars on the phone when it is powered up. Check that the cables match the antenna and clip ports end-to-end.

4.6 Insert phone into clip

Insert the phone into the clip as follows:

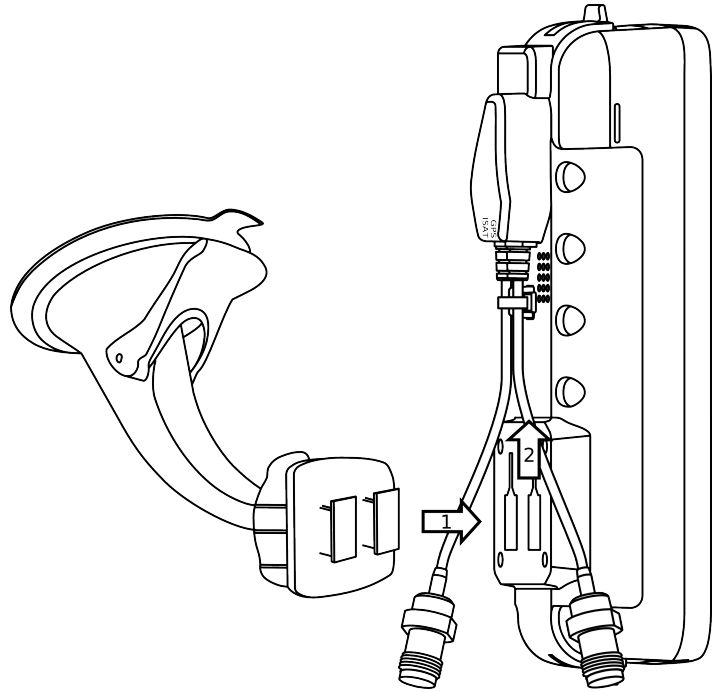
1. Open rear connector access panel (see figure below)
2. Snap bottom of handset into clip adapter
3. Engage connectors into the handset and clip adapter to handset



4.7 Suction cup mount

A suction cup mount is included in the kit for use with the clip adapter. The suction cup can be mounted to a window and will hold the phone securely for hands-free communication and while charging via the car charger (not included).

1. Insert rectangular tabs on suction cup mount into clip adapter
2. Slide tabs up to lock into place



4.8 Alternative mounting options

The clip adapter also has 4 mounting holes in a standard AMPS pattern (30mm×38 mm center to center hole pattern) for use with other mounts. As a precaution, verify printed dimensions before drilling.

