

# ST25R3916 Discovery Board

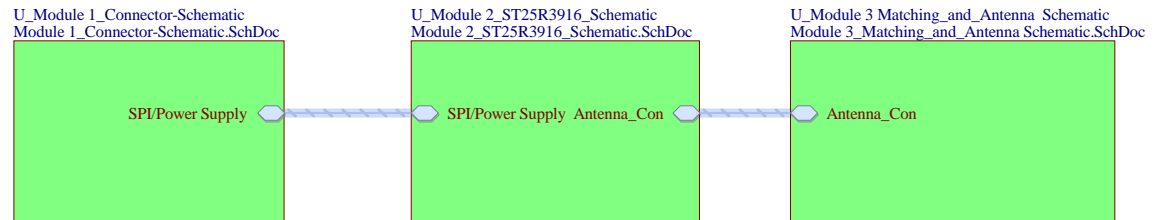


## Table of Content

- Sheet 1: Project Page (This page)
- Sheet 2: Connector Schematic
- Sheet 3: ST25R3916 Schematic
- Sheet 4: Matching and Antenna Circuit Schematic

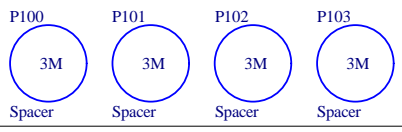
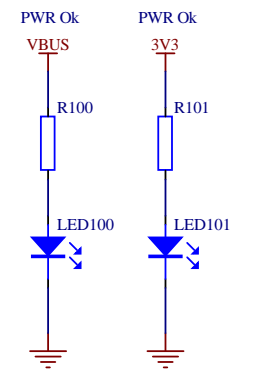
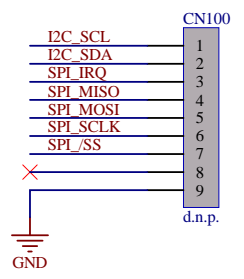
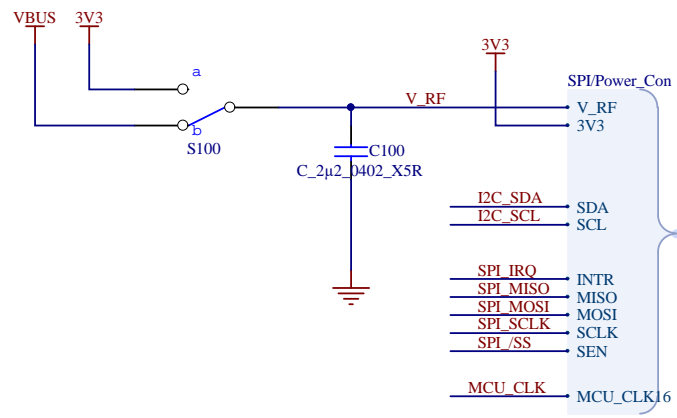
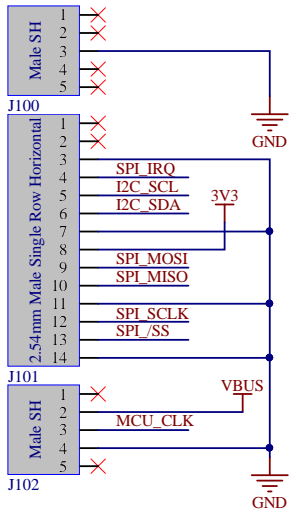
## Revision History

Initial Release                      01.09.2018                      Revision    B01






## PCB Stackup

Title: ST25R3916 Discovery Board				
Size: A4	Number:	Revision: B01		
Date: 11/13/2019	Time: 3:22:49 PM	Sheet 1 of 4	MDG NFC & Reader Competence Center	
File: Project Page.SchDoc				



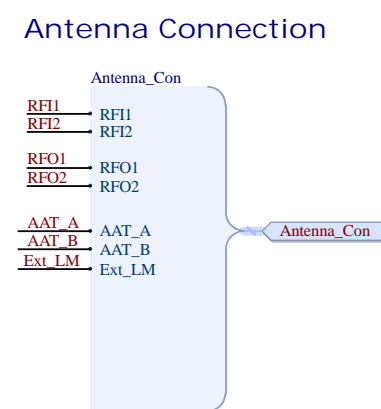
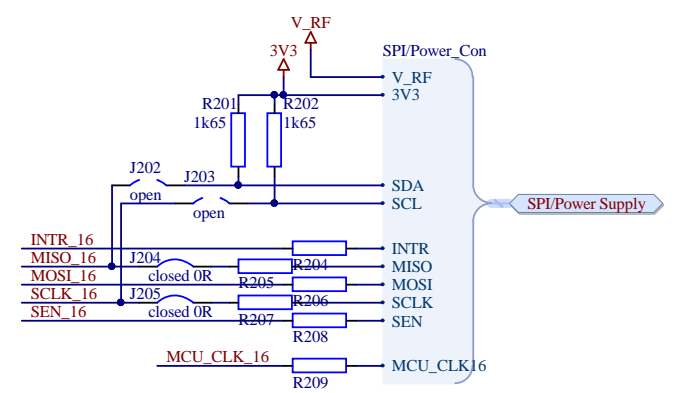
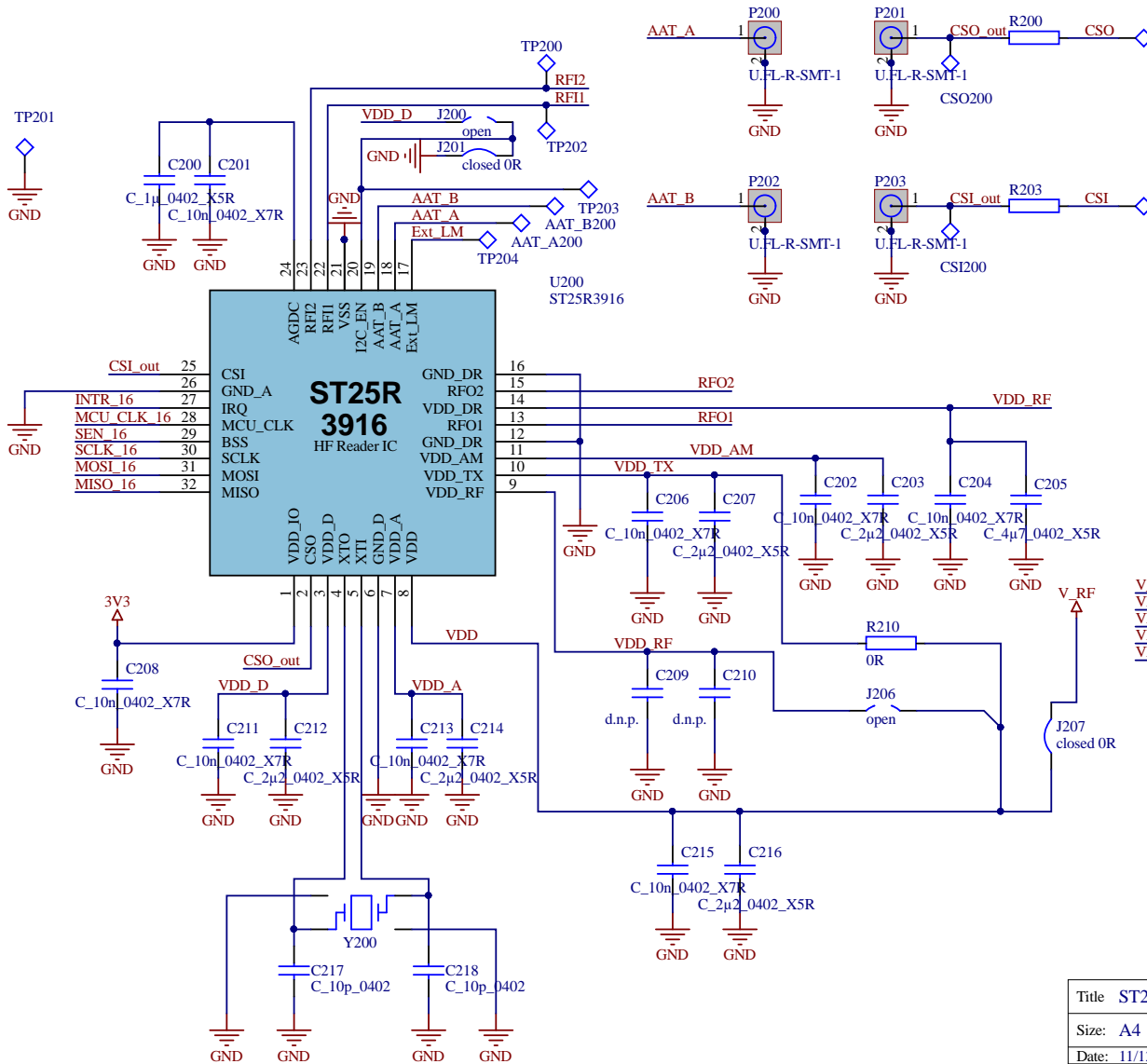
G100  
RoHS  
Logo\_RoHS




Title ST25R3916 Discovery Board				
Size: A4	Number:	Revision: B01		
Date: 11/13/2019	Time: 3:22:49 PM	Sheet 2 of 4		
File: Module 1_Connector-Schematic.SchDoc				

MDG NFC & Reader Competence Center

# ST25R3916 NFC Initiator / HF Reader

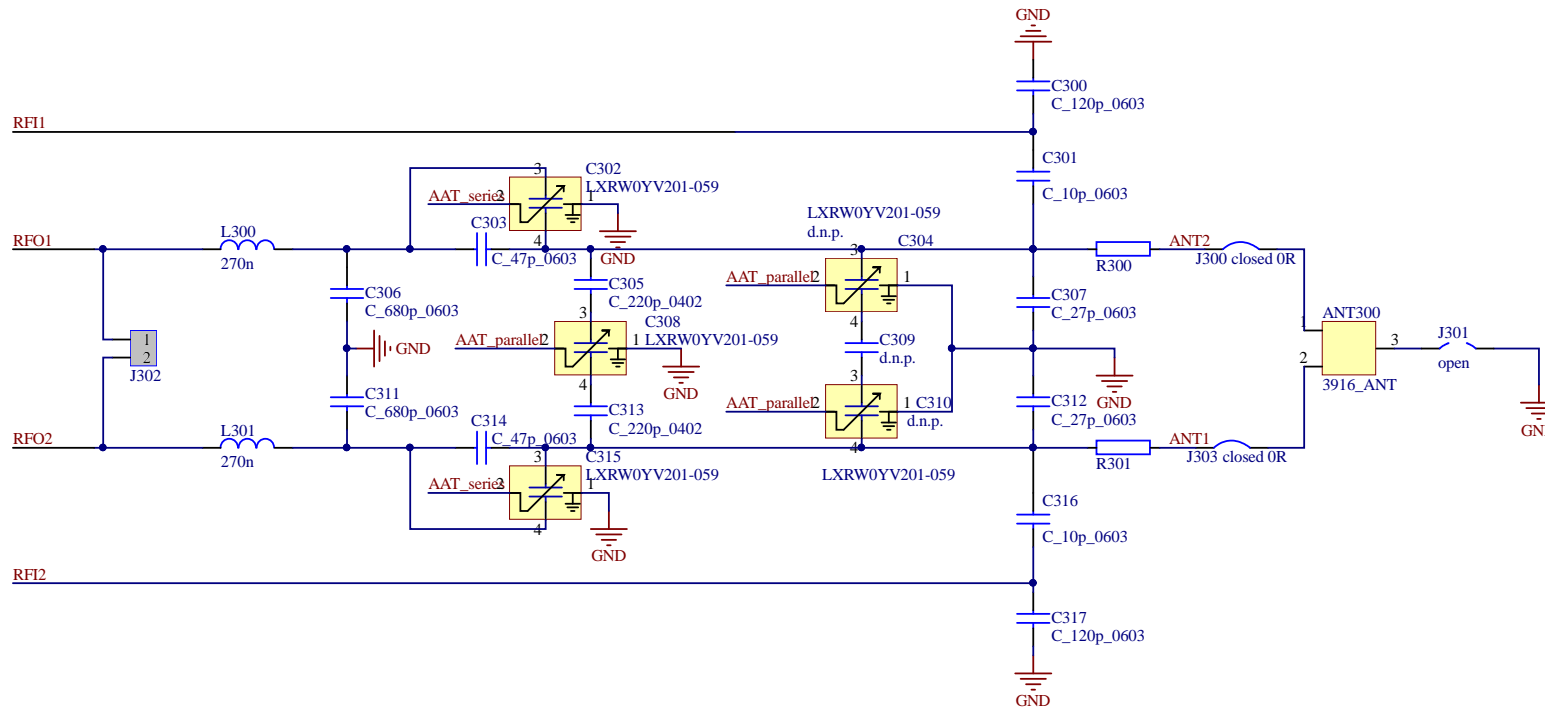
# Controller Interface



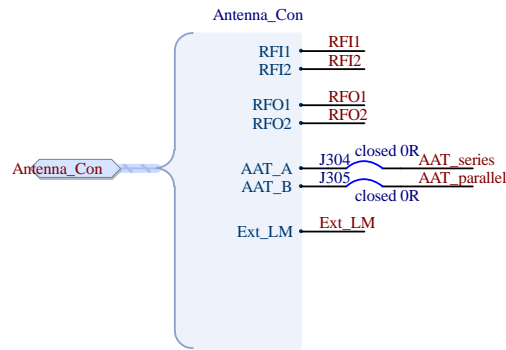
Title ST25R3916 Discovery Board				
Size: A4	Number:	Revision: B01		
Date: 11/13/2019	Time: 3:22:49 PM	Sheet 3 of 4		
File: Module 2_ST25R3916_Schematic.SchDoc				

MDG NFC & Reader Competence Center

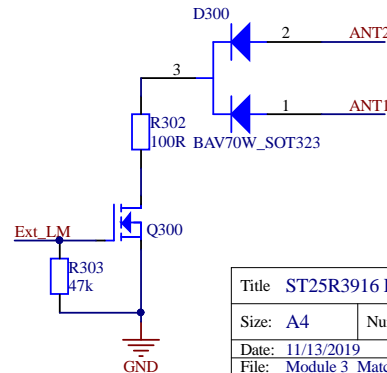
# Antenna Circuit incl. EMI Filter and Matching






## Antenna Connection



## External Load Modulation Circuit



Title ST25R3916 Discovery Board				
Size: A4	Number:	Revision: B01		
Date: 11/13/2019	Time: 3:22:50 PM	Sheet 4 of 4		
File: Module 3_Matching_and_Antenna Schematic.SchDoc				