




STEVAL-D25R16B



Title: <b>STEVAL-D25R16B</b>		STMicroelectronics		
Title Page.SchDoc		Sky Sophia Batiment B		
Size: A4	Reference: MB1749	776 rue Albert Caquot		
Date: 28 APR 2022		Revision: B	06410 BIOT	FRANCE
		Sheet: 1 of 5		

# STEVAL-D25R16B

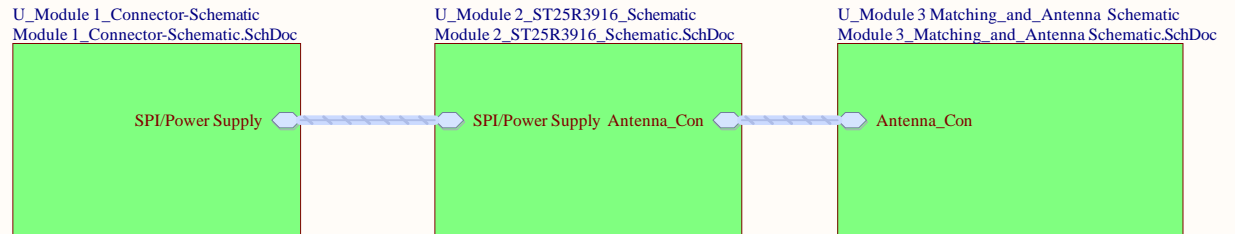


## Table of Content

- Sheet 1: Title Page
- Sheet 2: Project Page (This page)
- Sheet 3: Connector Schematic
- Sheet 4: ST25R3916B Schematic
- Sheet 5: Matching and Antenna Circuit Schematic

## Revision History

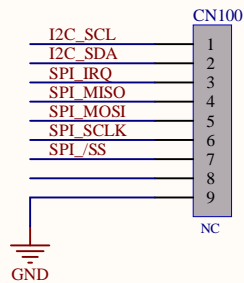
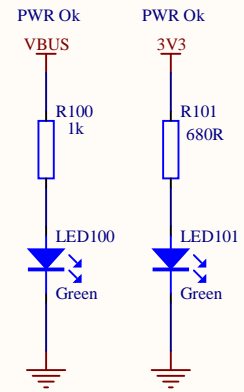
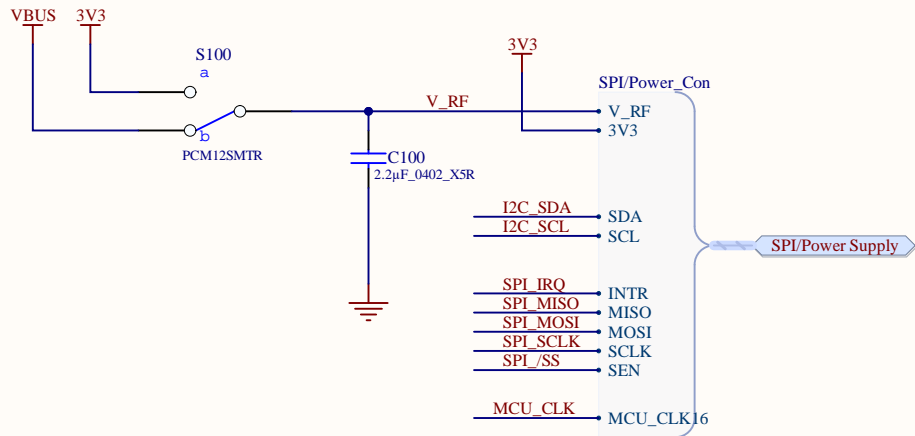
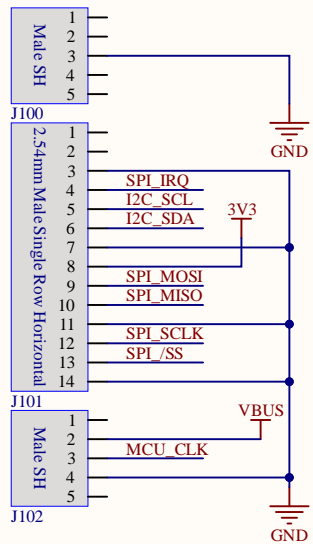
Initial Release 28 APR 2022 Revision B




## PCB Stackup



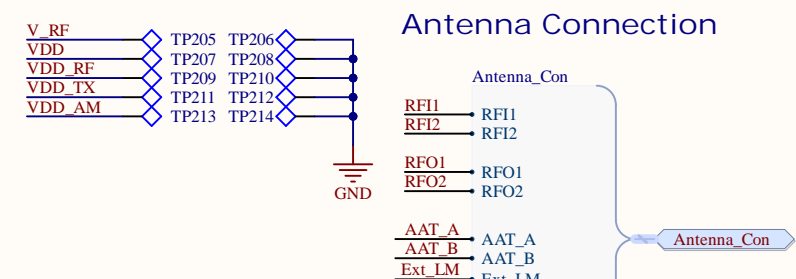
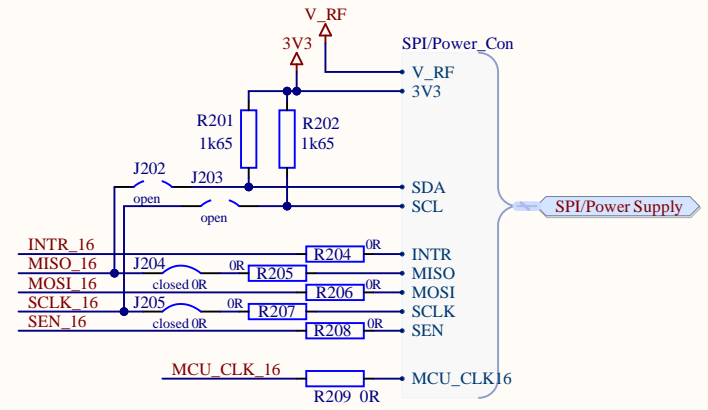
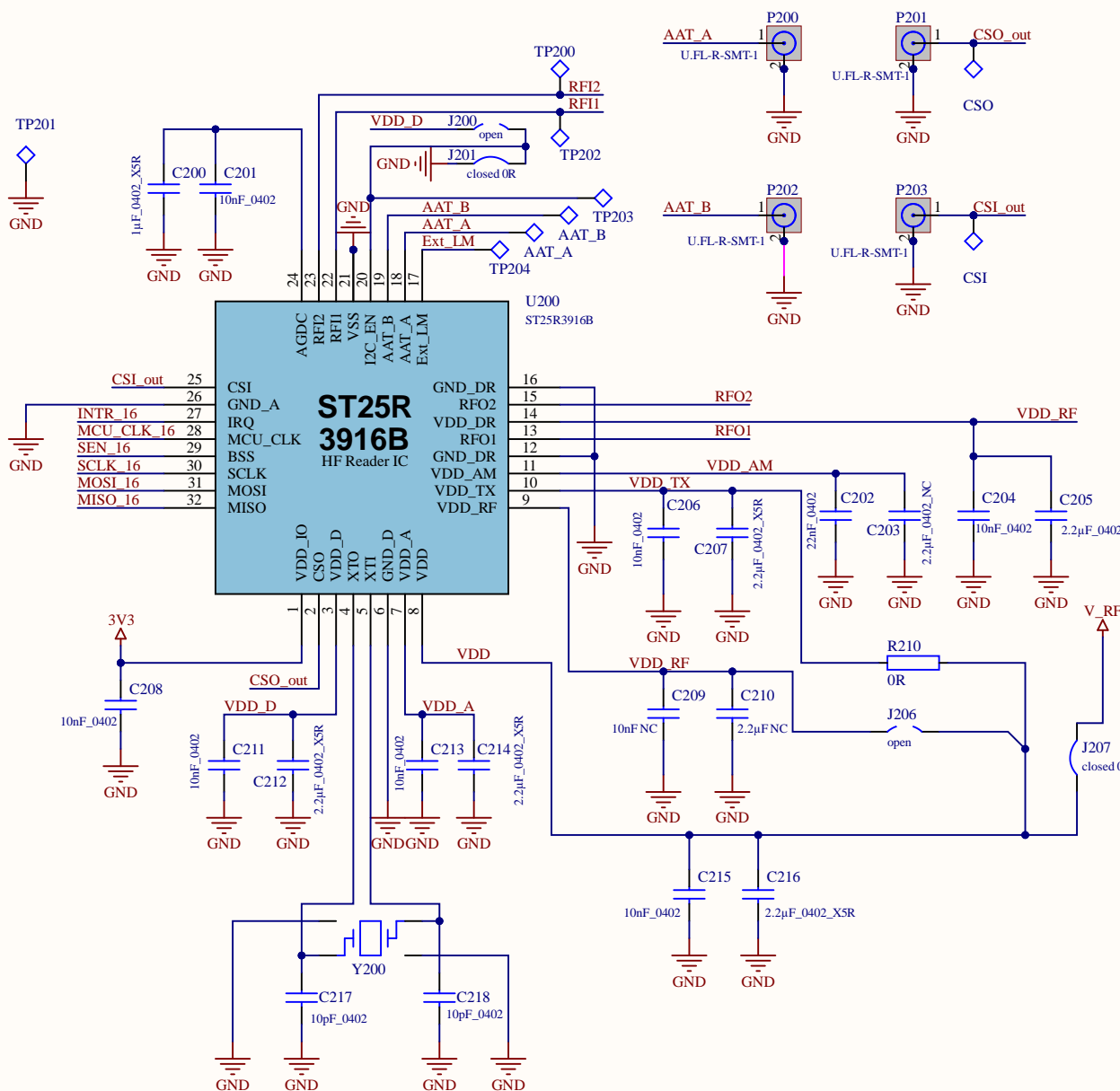
Title: <b>STEVAL-D25R16B</b> Project Page.SchDoc		STMicroelectronics Sky Sophia Batiment B 776 rue Albert Caquot 06410 BIOT FRANCE		
Size: A4	Reference: MB1749	Revision: B		
Date: 28 APR 2022		Sheet: 2 of 5		




Title: <b>STEVAL-D25RI6B</b> Module 1_Connector-Schematic.SchDoc		STMicroelectronics Sky Sophia Batiment B 776 rue Albert Caquot 06410 BIOT FRANCE		 life.augmented
Size: A4	Reference: MB1749	Revision: B		
Date: 28 APR 2022		Sheet: 3 of 5		

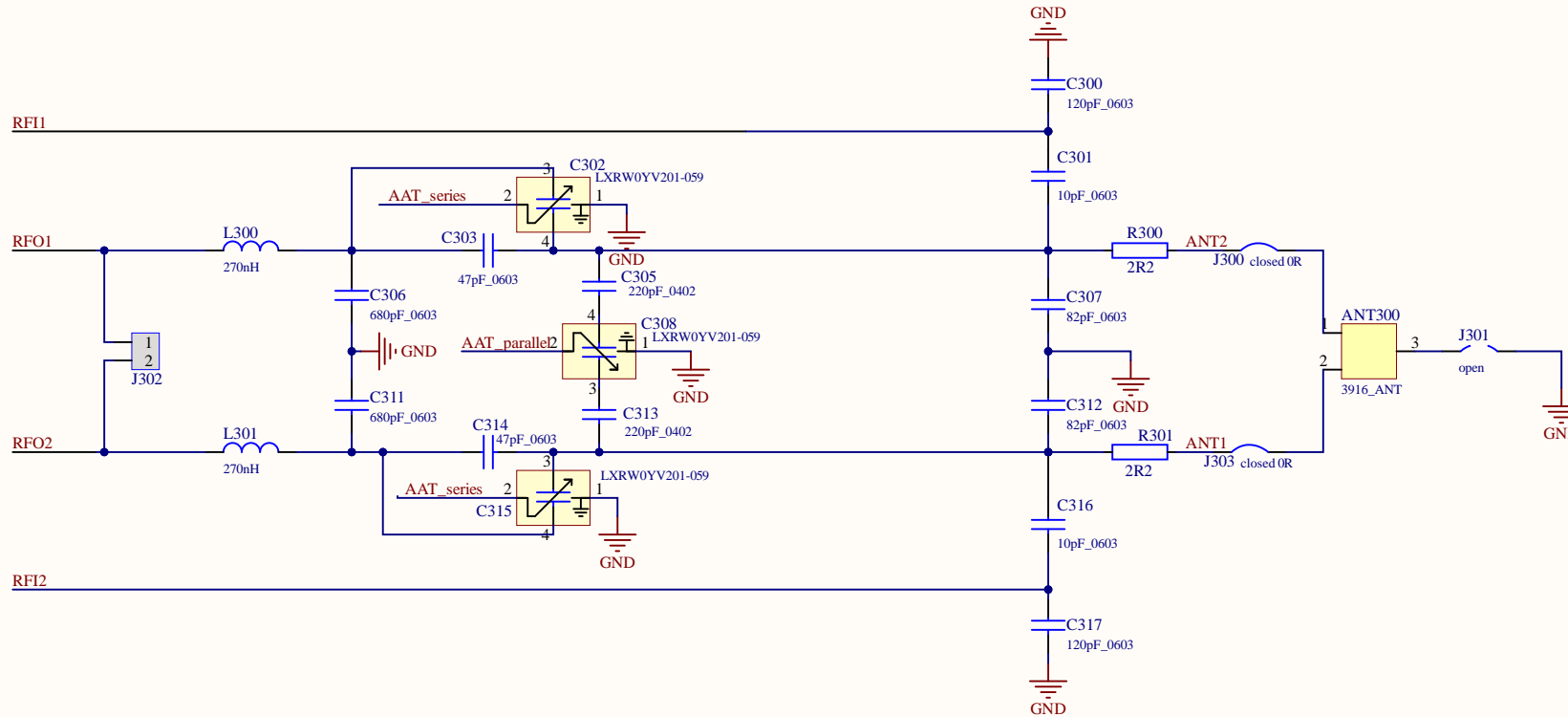
# ST25R3916 NFC Initiator / HF Reader

# Controller Interface

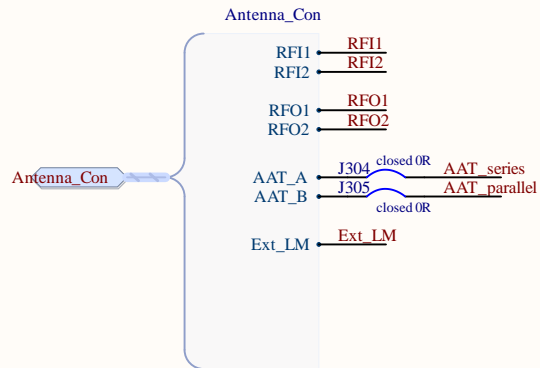


Title: <b>STEVAL-D25R16B</b> Module 2_ST25R3916_Schematic.SchDoc		STMicroelectronics Sky Sophia Batiment B 776 rue Albert Caquot 06410 BIOT FRANCE		 life.augmented
Size: A4	Reference: MB1749	Revision: B		
Date: 28 APR 2022		Sheet: 4 of 5		

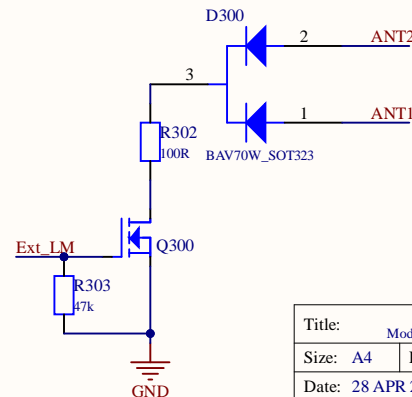
# Antenna Circuit incl. EMI Filter and Matching



## Antenna Connection



## External Load Modulation Circuit



Title: <b>STEVAL-D25RI6B</b> Module 3_Matching_and_Antenna Schematic.SchDoc			STMicroelectronics Sky Sophia Batiment B 776 rue Albert Caquot 06410 BIOT FRANCE
Size: A4	Reference: MB1749	Revision: B	Sheet: 5 of 5
Date: 28 APR 2022			

