




X-NUCLEO-NFC08A1



Title: X-NUCLEO-NFC08A1 <small>Title Page.SchDoc</small>		STMicroelectronics SAS 190 Avenue Celestin Coq 13106 Rousset FRANCE		 life.augmented
Size: A4	Reference: /	Revision: A1		
Date: 11/08/2021		Sheet: 1 of 5		

X-NUCLEO-NFC08A1

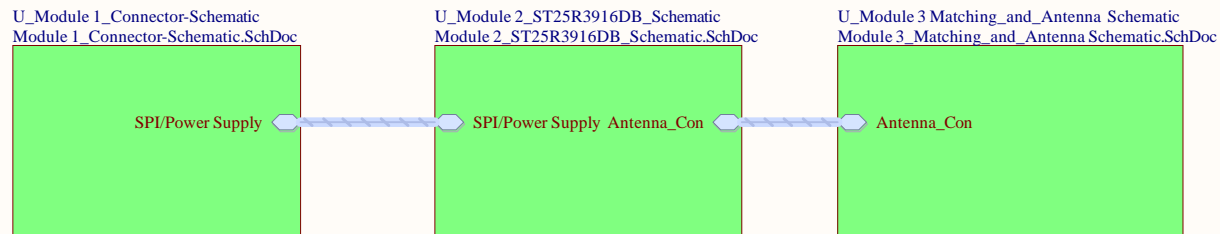


Table of Content

- Sheet 1: Title Page
- Sheet 2: Project Page (This page)
- Sheet 3: Arduino Connectors Schematic
- Sheet 4: ST25R3916 Schematic
- Sheet 5: Matching and Antenna Circuit Schematic

Revision History

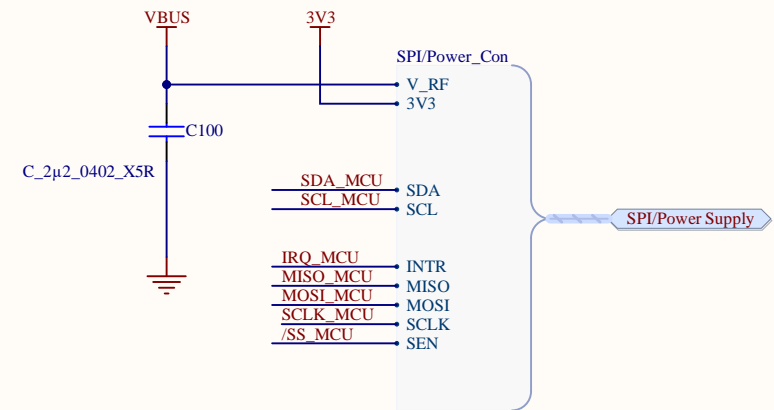
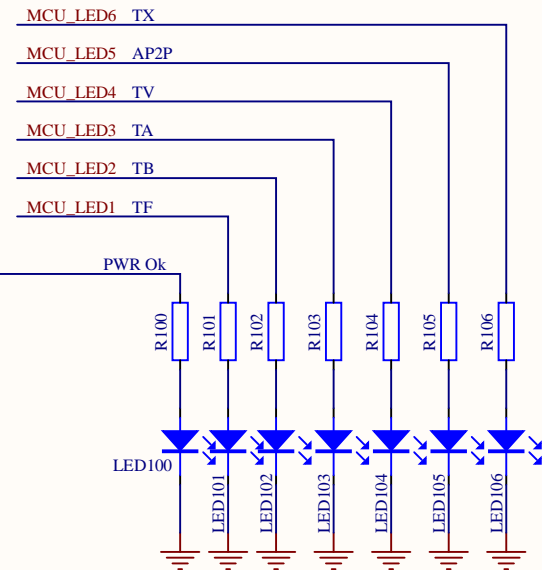
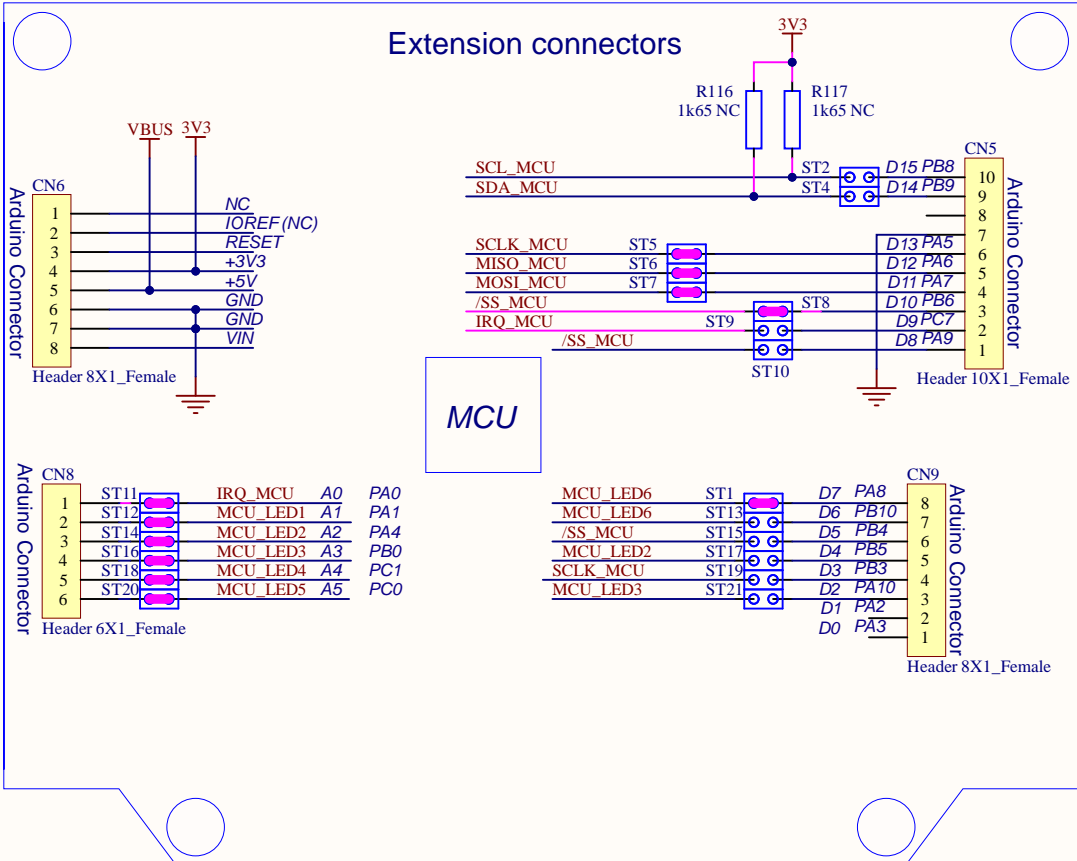
Initial Release 11/08/2021 Revision A1



PCB Stackup

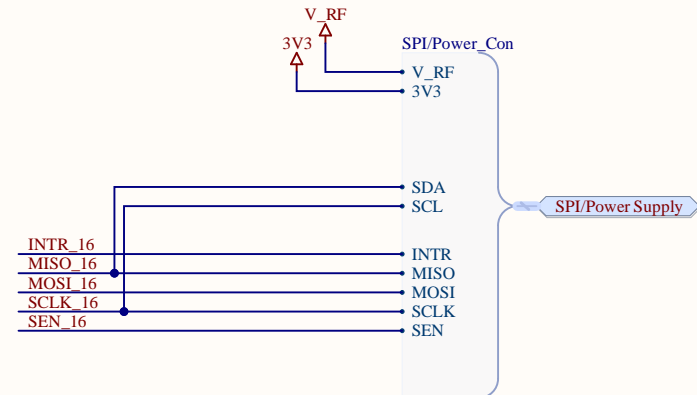
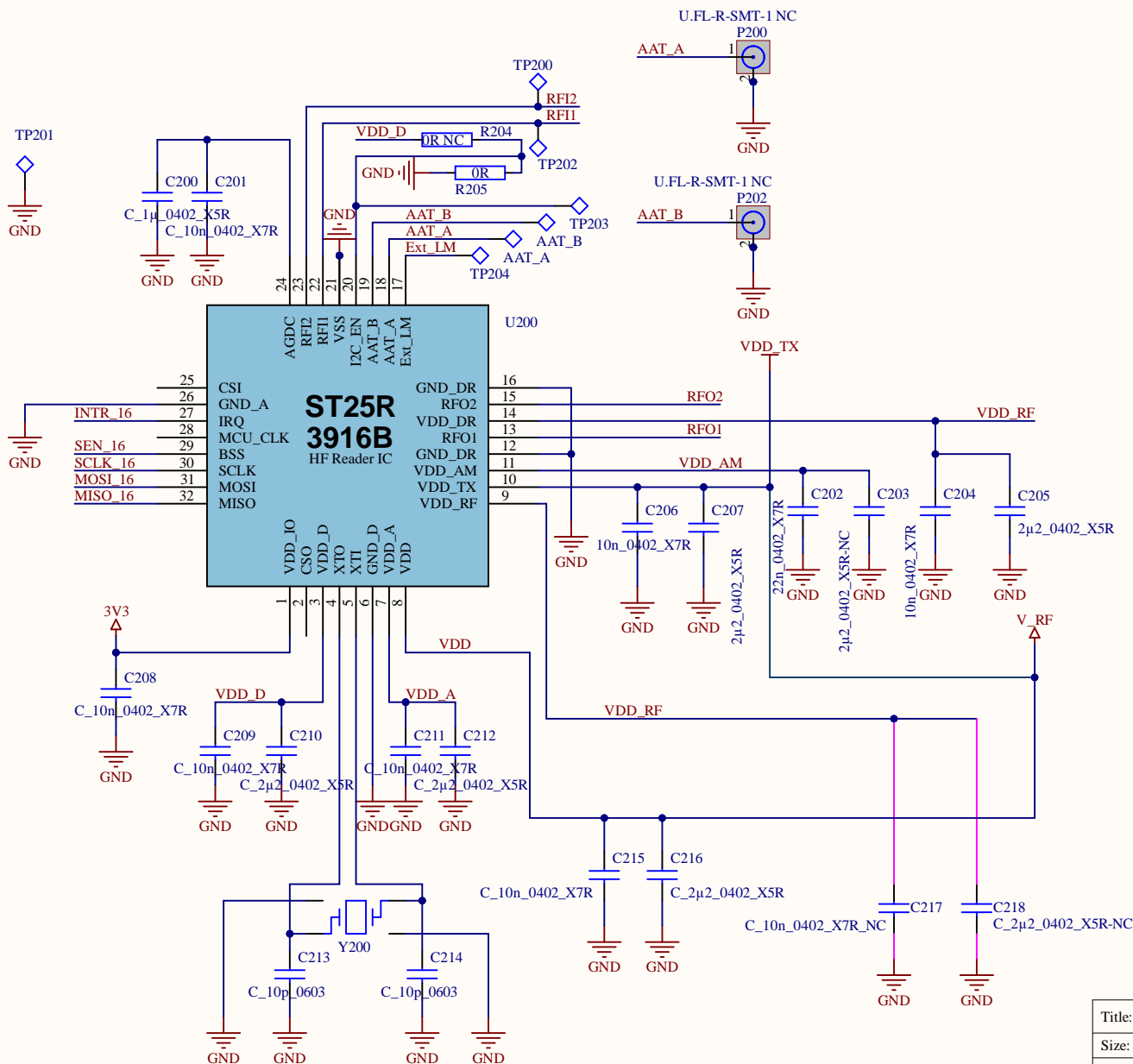
Title: X-NUCLEO-NFC08A1 Project Page.SchDoc		STMicroelectronics SAS 190 Avenue Celestin Coq 13106 Rousset FRANCE		
Size: A4	Reference: /	Revision: A1		
Date: 11/08/2021		Sheet: 2 of 5		

Extension connectors

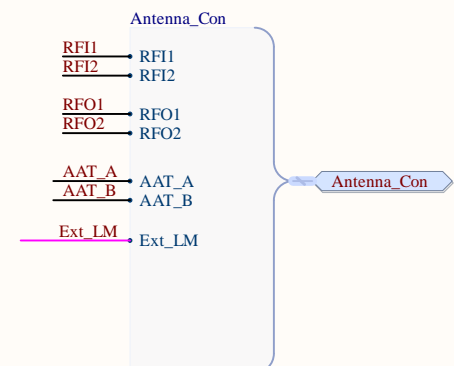



ST25R3916 NFC Initiator / HF Reader

Controller Interface

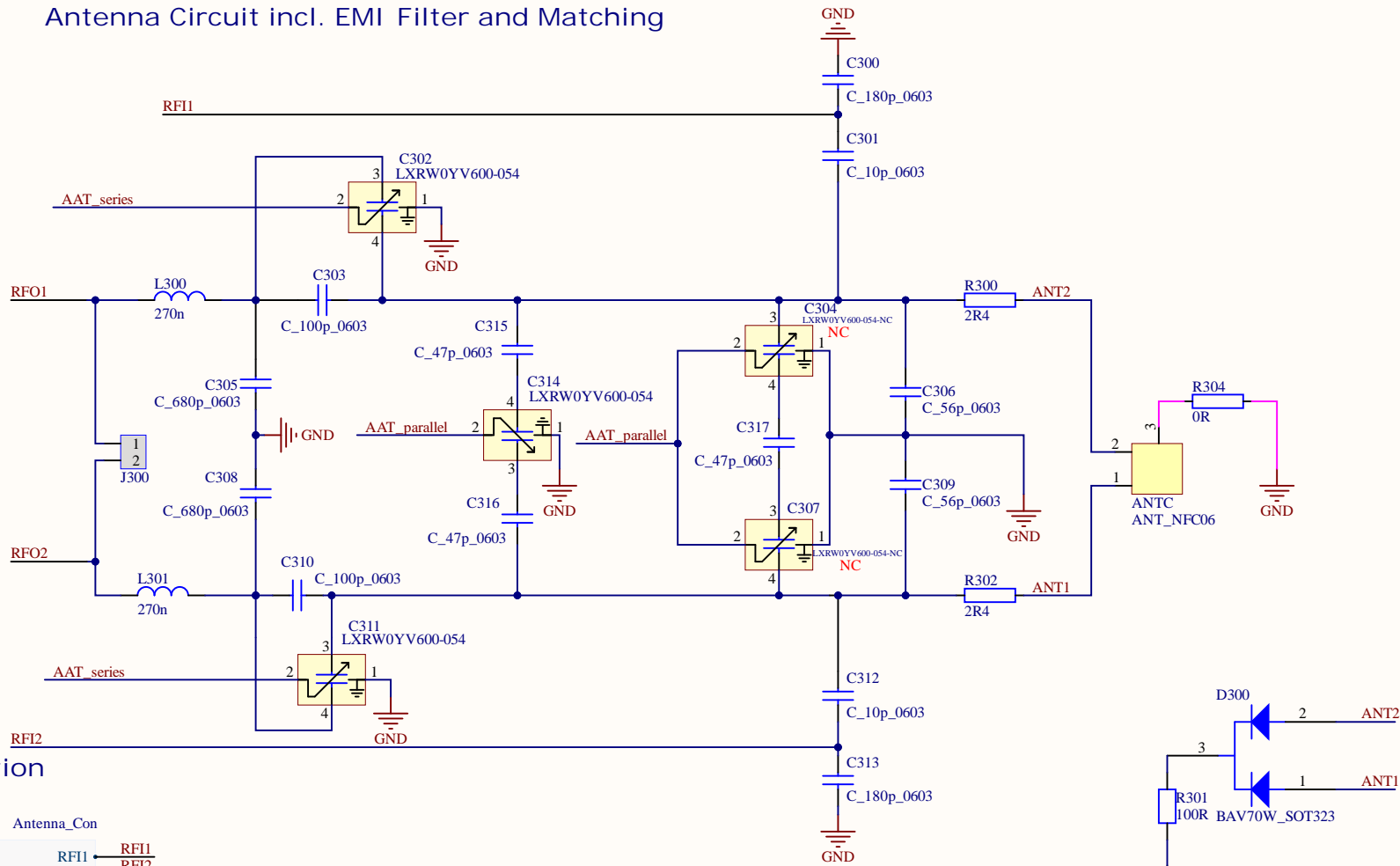


Antenna Connection

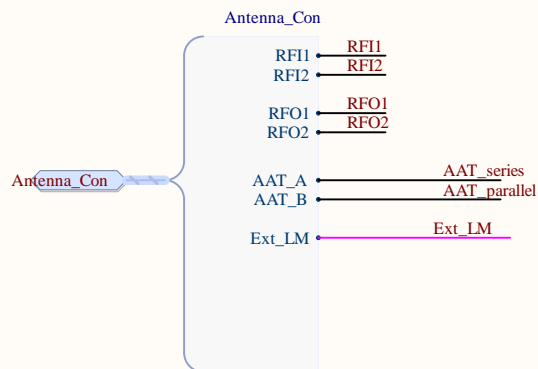



Title: X-NUCLEO-NFC08A1		STMicroelectronics SAS 190 Avenue Celestin Coq 13106 Rousset FRANCE	
Module 2_ST25R3916DB_Schematic.SchDoc			
Size: A4	Reference: /	Revision: A1	
Date: 11/08/2021		Sheet: 4 of 5	

Antenna Circuit incl. EMI Filter and Matching



Antenna Connection



Title: X-NUCLEO-NFC08AI		STMicroelectronics SAS 190 Avenue Celestin Coq 13106 Rousset FRANCE	
Module 3_Matching_and_Antenna Schematic.SchDoc			
Size: A4	Reference: /		
Date: 11/08/2021		Sheet: 5	of 5