




# X-NUCLEO-NFC06A1



Title: <b>X-NUCLEO-NFC06A1</b> <small>Title Page.SchDoc</small>		STMicroelectronics 635, Route des Lucioles 06560 VALBONNE FRANCE		 life.augmented
Size: A4	Reference: /	Revision: A1		
Date: 07/03/2019		Sheet: 1 of 5		

# X-NUCLEO-NFC06A1

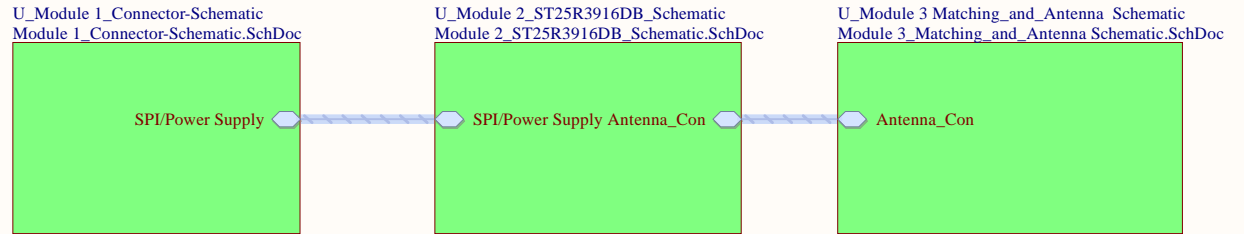


## Table of Content

- Sheet 1: Title Page
- Sheet 2: Project Page (This page)
- Sheet 3: Arduino Connectors Schematic
- Sheet 4: ST25R3916 Schematic
- Sheet 5: Matching and Antenna Circuit Schematic

## Revision History

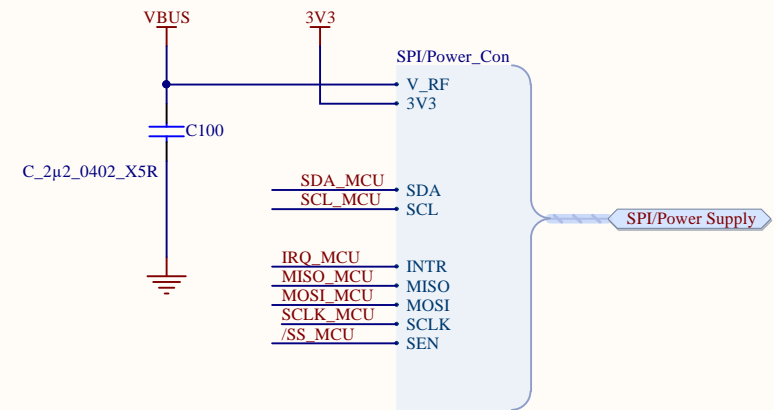
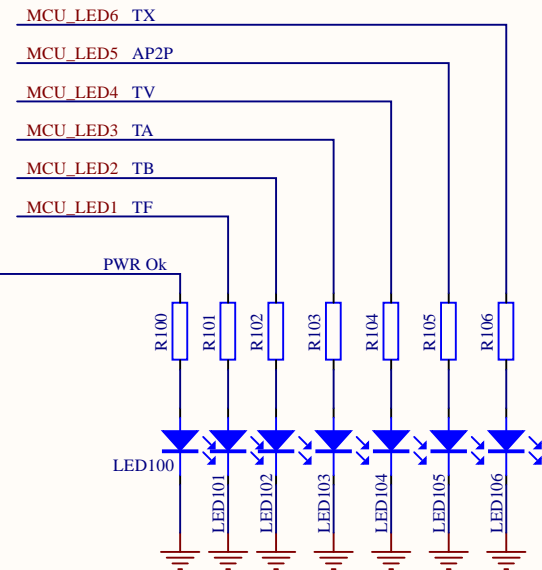
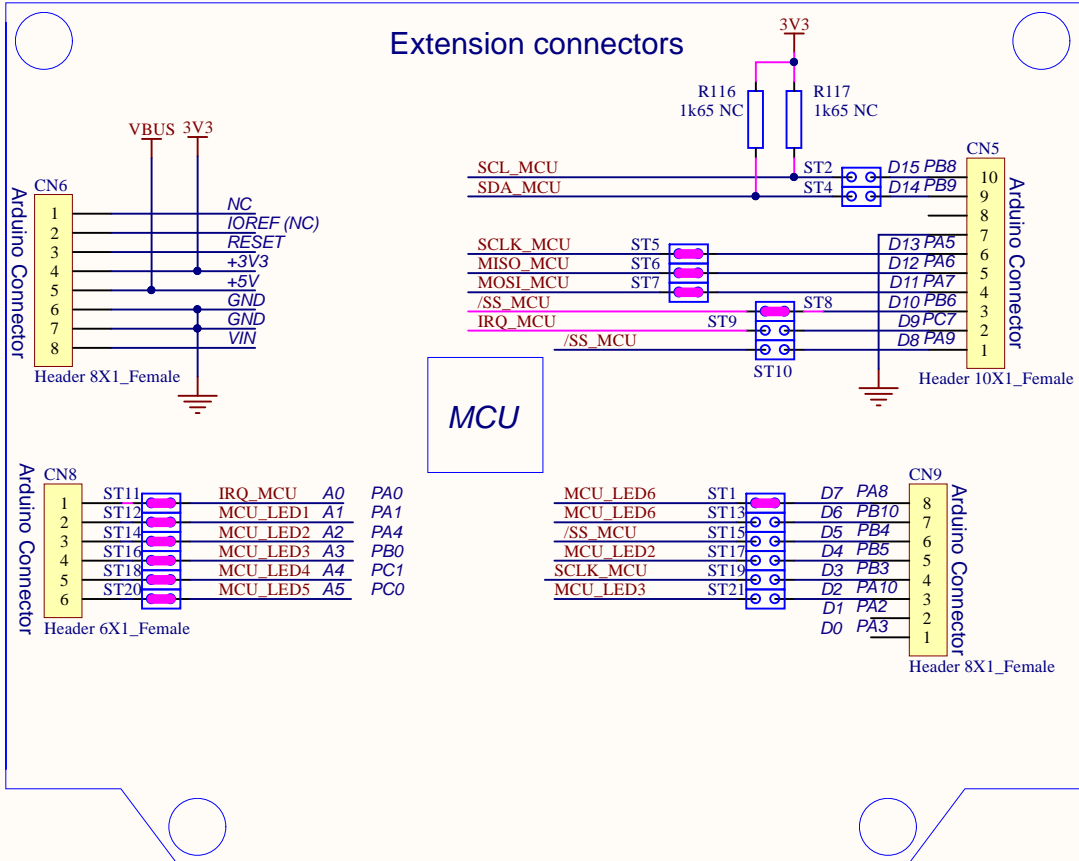
Initial Release 07/03/2019 Revision A1



## PCB Stackup

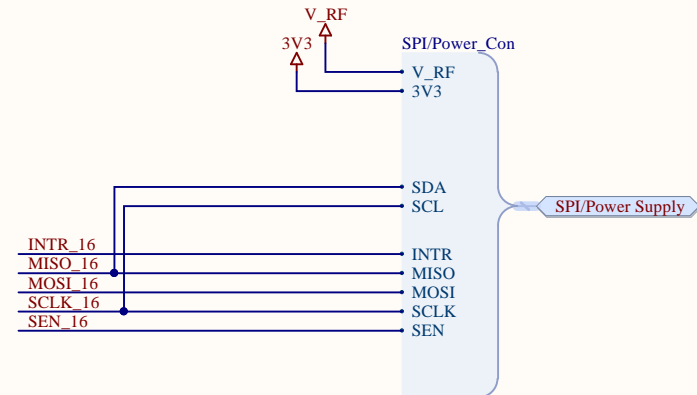
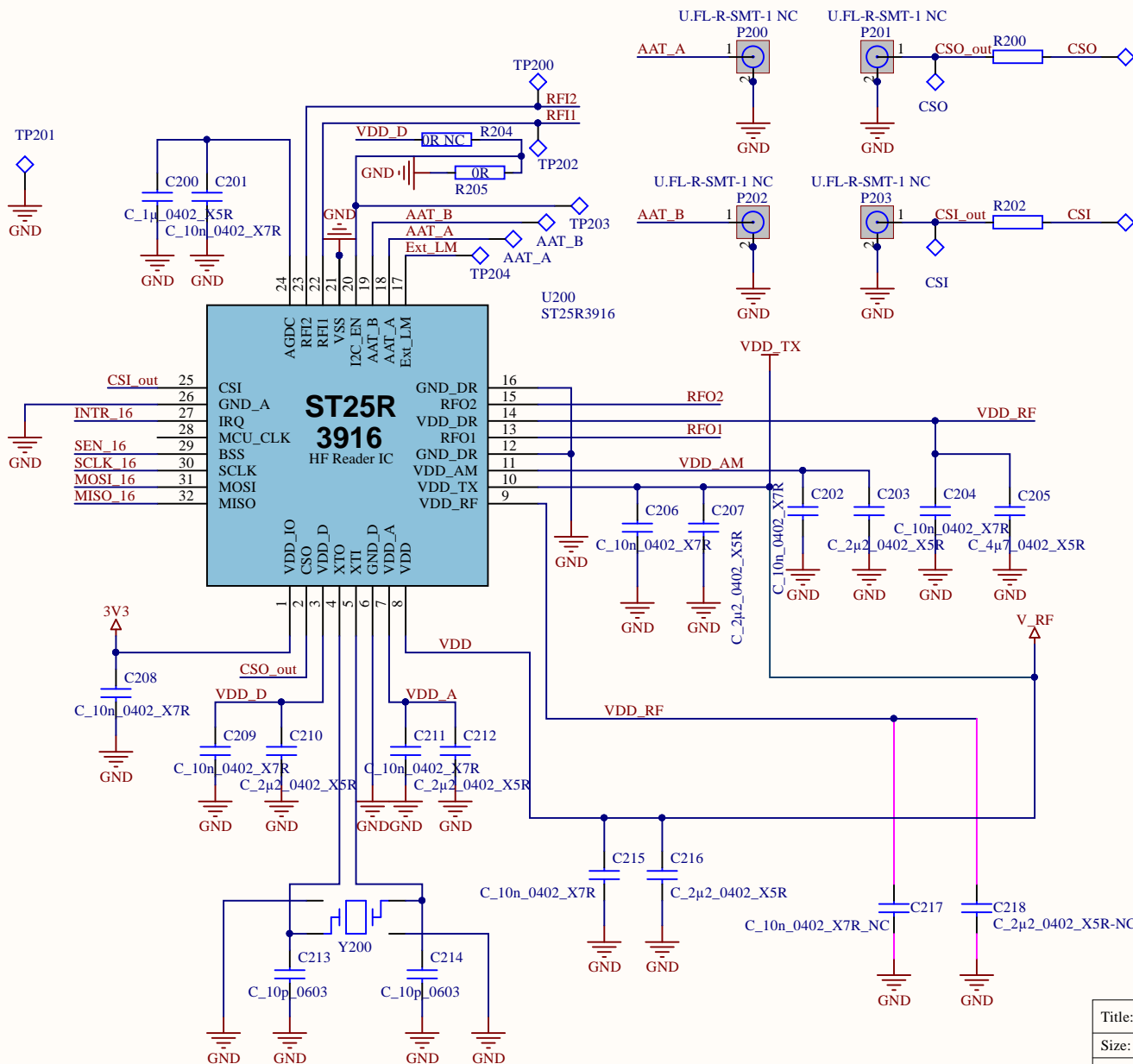
Title: <b>X-NUCLEO-NFC06A1</b> Project Page.SchDoc		STMicroelectronics 635, Route des Lucioles 06560 VALBONNE FRANCE		
Size: A4	Reference: /	Revision: A1		
Date: 07/03/2019		Sheet: 2 of 5		

### Extension connectors

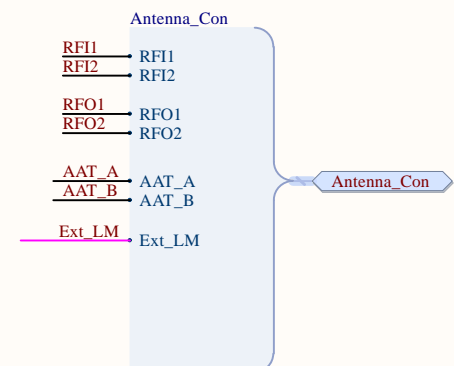



# ST25R3916 NFC Initiator / HF Reader

## Controller Interface

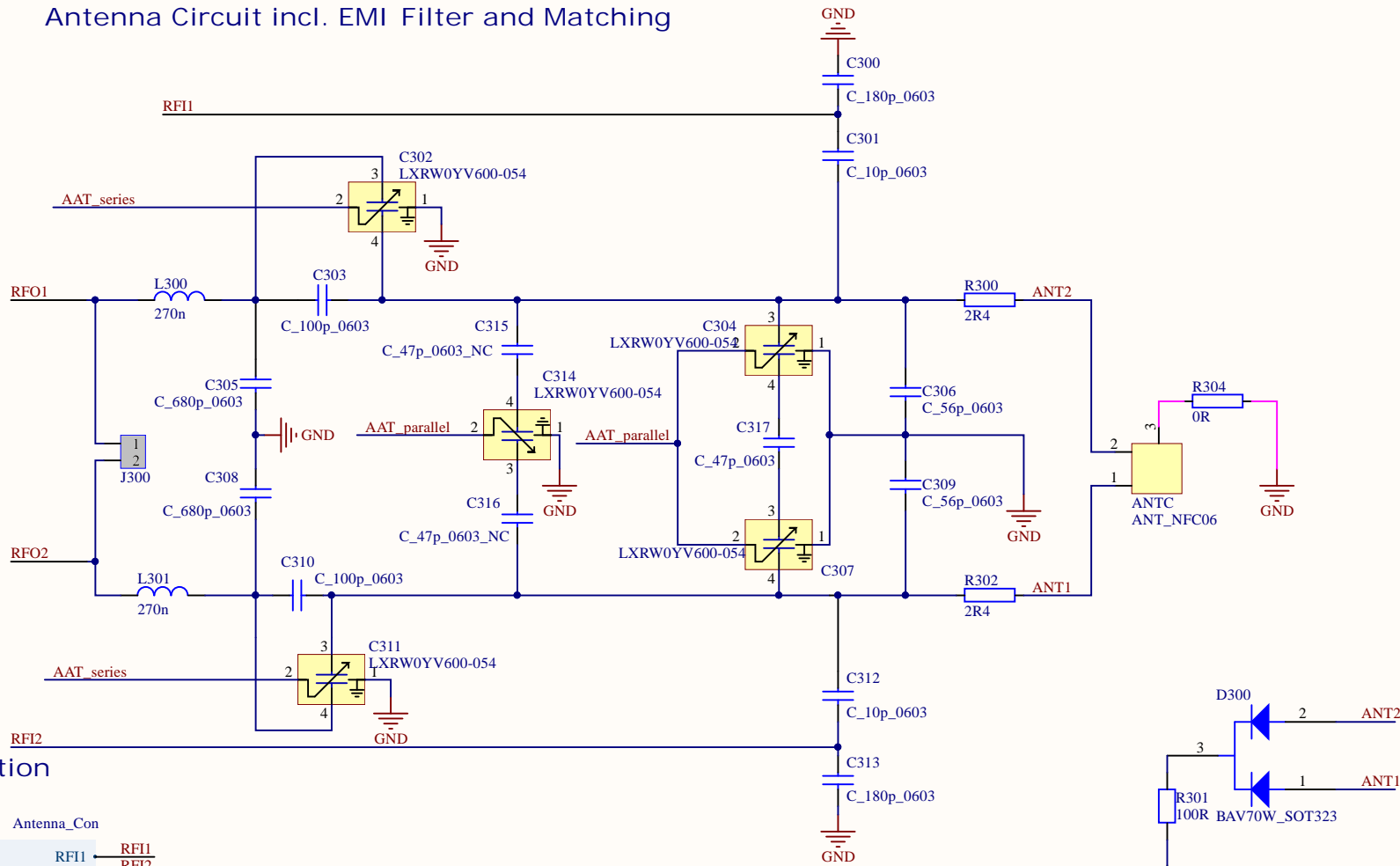


## Antenna Connection

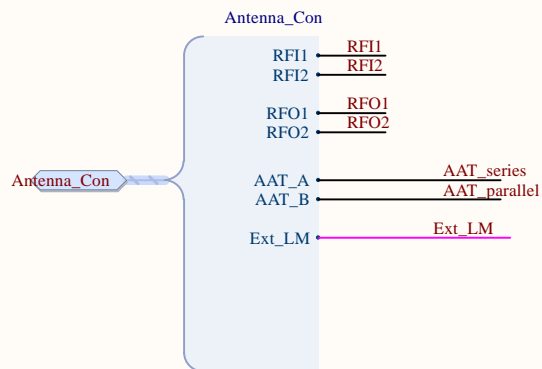



Title: <b>X-NUCLEO-NFC06A1</b>		STMicroelectronics 635, Route des Lucioles 06560 VALBONNE FRANCE	 life.augmented	
Size: A4	Reference: /			Revision: A1
Date: 07/03/2019				Sheet: 4 of 5
Module 2_ST25R3916DB_Schematic.SchDoc				

# Antenna Circuit incl. EMI Filter and Matching



## Antenna Connection



Title: <b>X-NUCLEO-NFC06A1</b>			 STMicroelectronics 635, Route des Lucioles 06560 VALBONNE FRANCE
Module 3_Matching_and_Antenna Schematic.SchDoc			
Size: A4	Reference: /	Revision: A1	
Date: 07/03/2019	Sheet: 5 of 5		