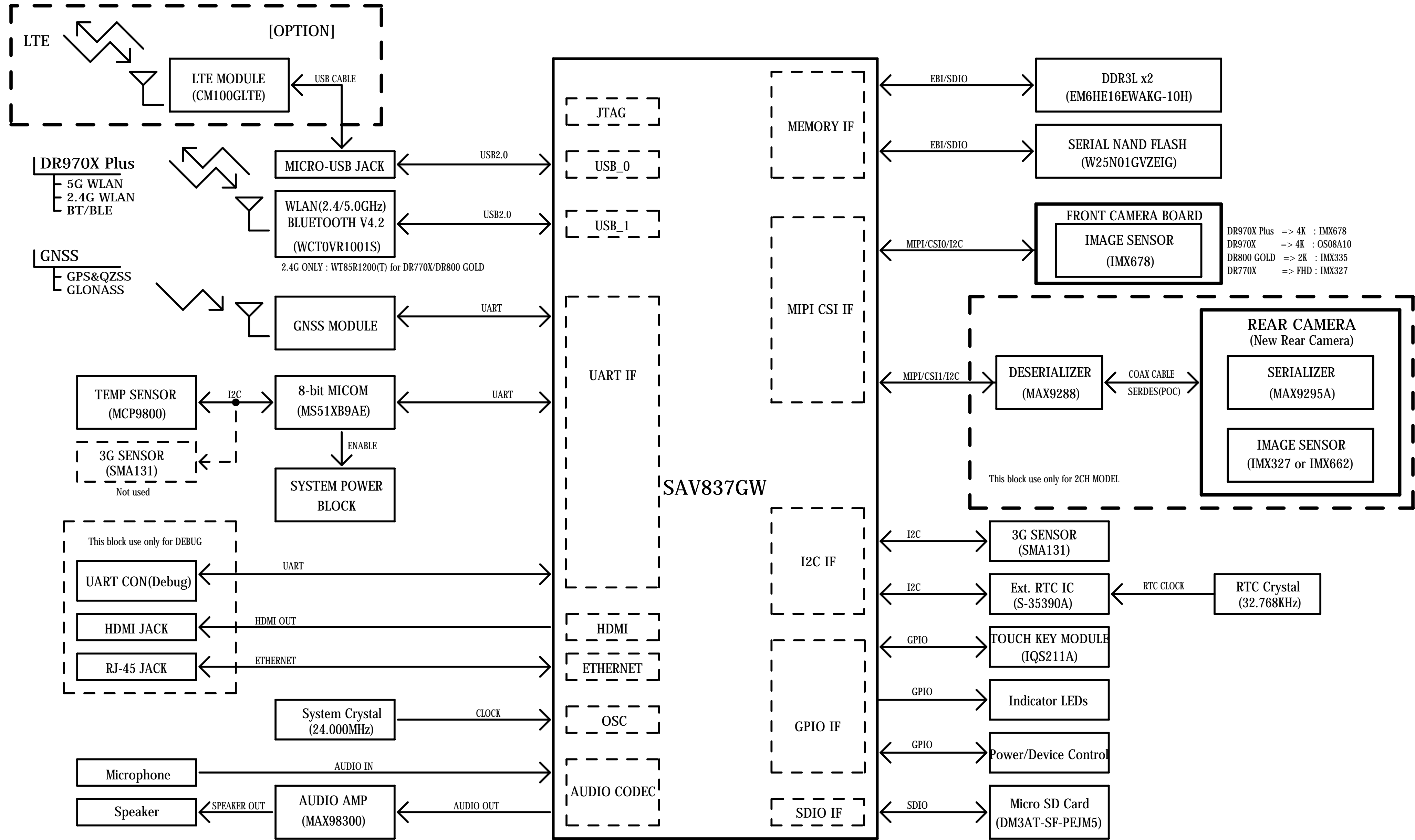


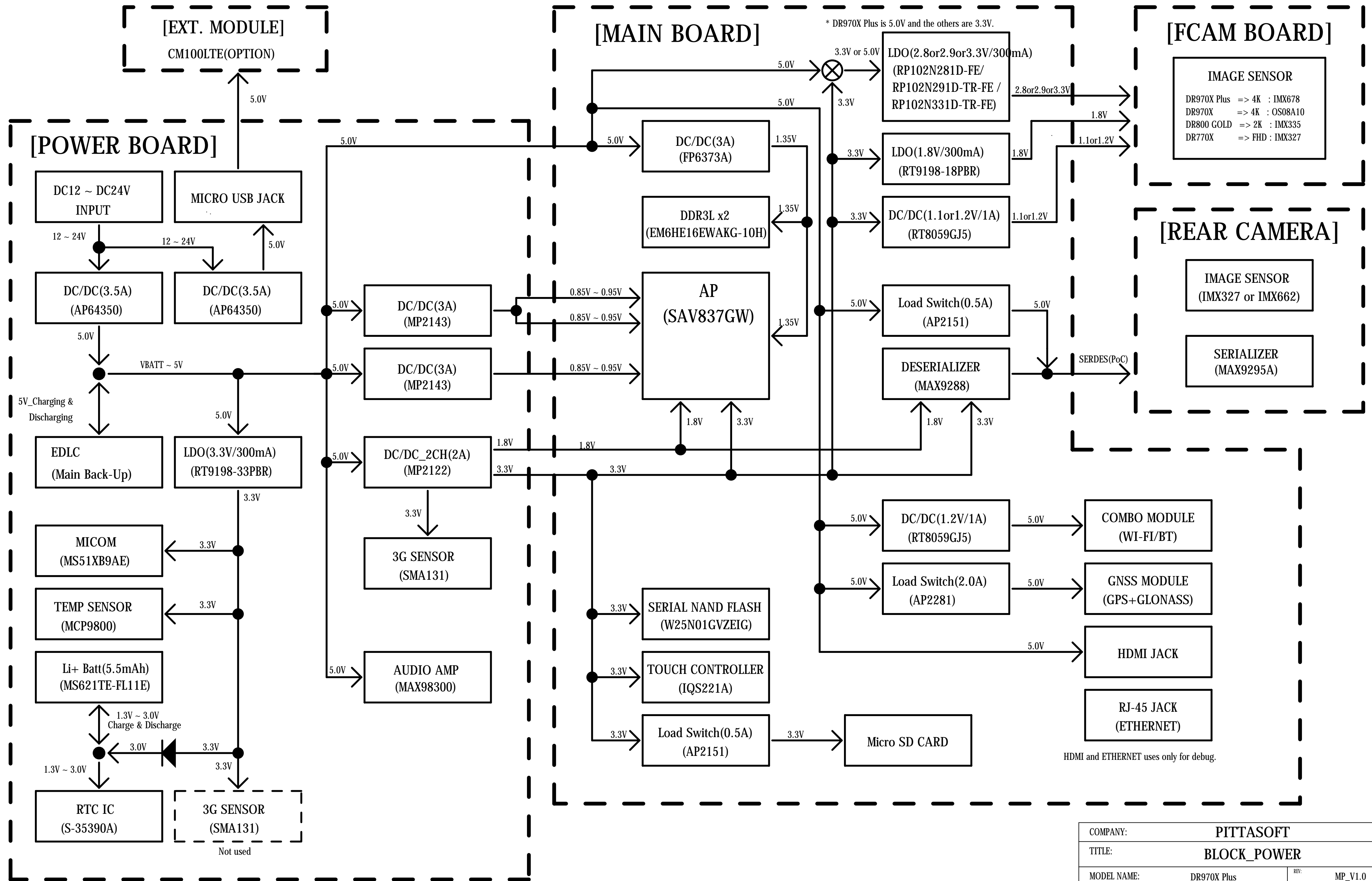
[DR970X Plus BLOCK DIAGRAM - System Part]



DR970X Plus => 4K : IMX678
 DR970X => 4K : OS08A10
 DR800 GOLD => 2K : IMX335
 DR770X => FHD : IMX327

COMPANY:	PITTASOFT		
TITLE:	BLOCK_SYSTEM		
MODEL NAME:	DR970X Plus	REV:	MP_V1.0
DATE:	2023-11-15	SHEET:	1 of 14

[DR770X/DR970X BLOCK DIAGRAM - POWER Part]



COMPANY:	PITTASOFT		
TITLE:	BLOCK_POWER		
MODEL NAME:	DR970X Plus	REV:	MP_V1.0
DATE:	2023-11-15	SHEET:	2 of 14