

Measurement Report

Customer : PITASOFT

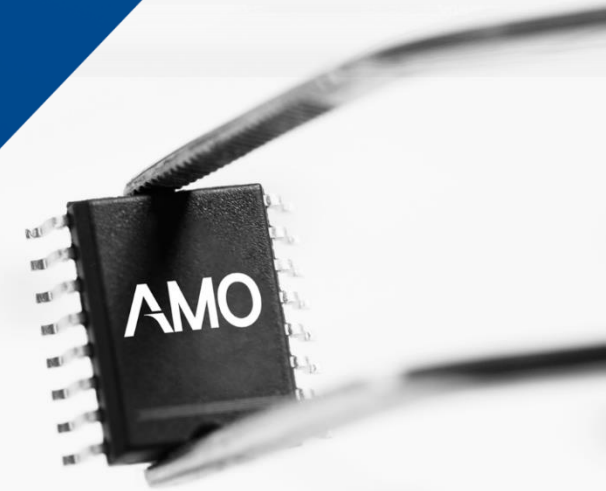
Model : DR970X LTE Plus

Application : Wi-Fi 2.4GHz & 5GHz

Antenna P/N : SHDA10312442B

2023. 12. 19

AMO
A M O T E C H

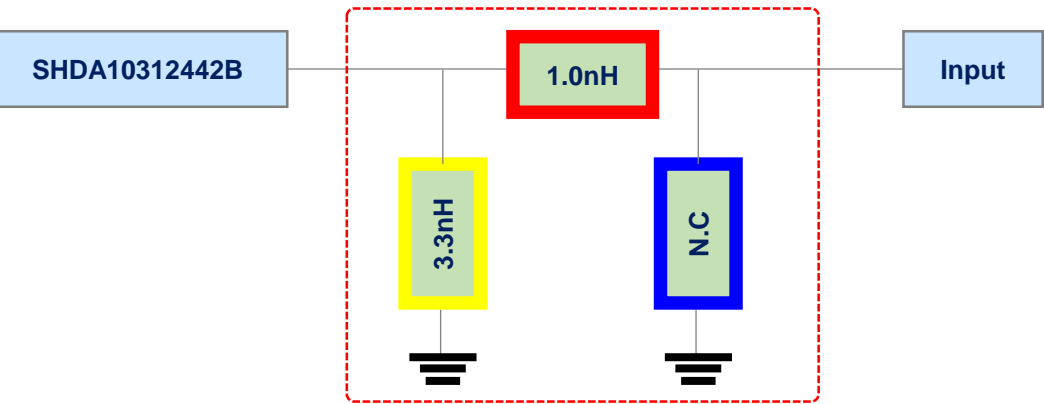


1. Measurement Report

1. Passive measurement

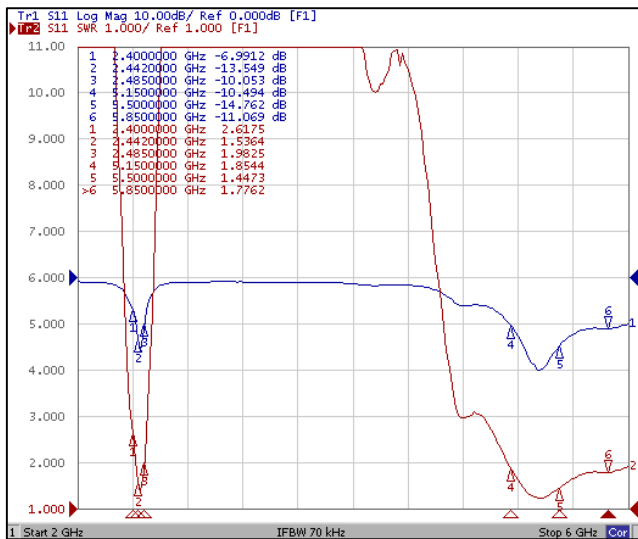
1-1. Antenna matching value

Antenna matching circuit



Set condition

1-2. Measured S-parameter

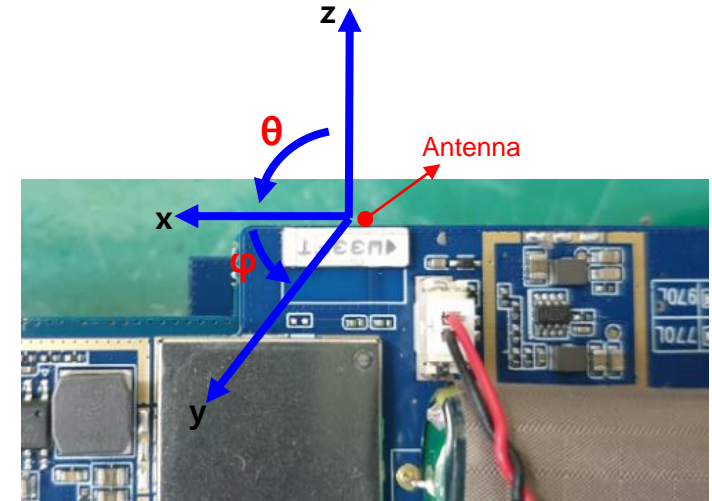


Return Loss & VSWR

1. Measurement Report

1-3. Antenna gain

Frequency [MHz]	Efficiency [%]	Average gain [dBi]	Peak gain [dBi]
2400	42.18	-3.75	2.14
2442	58.20	-2.35	3.46
2485	55.59	-2.55	3.49
5150	60.54	-2.18	3.43
5500	61.57	-2.11	3.20
5850	53.64	-2.70	1.74



1-4. Radiation pattern

