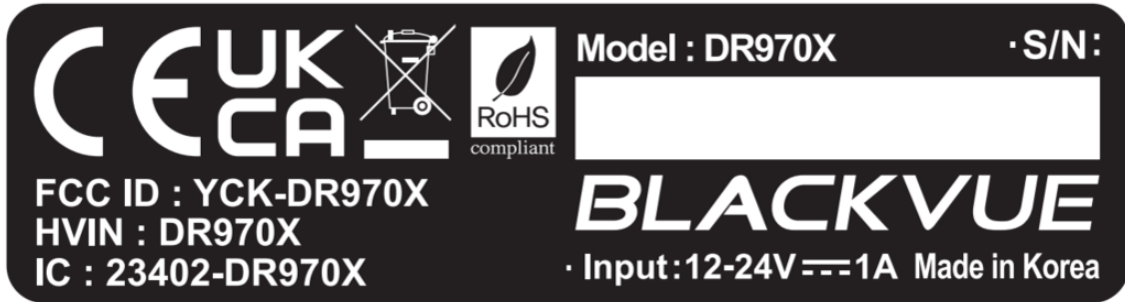


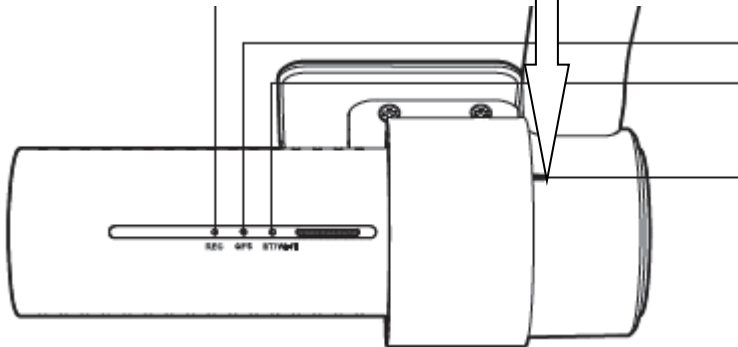
IDENTIFICATION LABEL:

PROPOSED FCC ID LABEL

The FCC ID shall be permanently affixed in the side of the equipment



45mm X 12mm



Product S/N Label_ DR970X-1CH

1. 2022.11.01



45mm X 12mm

Product S/N Label_ DR970X-2CH IR

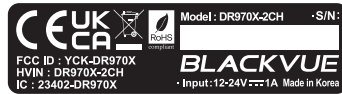
1. 2022.11.01



45mm X 12mm

Product S/N Label_ DR970X-2CH

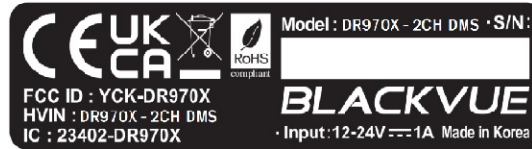
1. 2022.11.01



45mm X 12mm

Product S/N Label_DR970X-2CH DMS

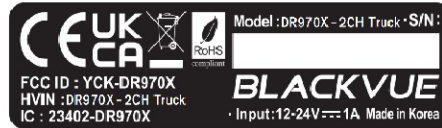
1. 2022.11.01



45mm X 12mm

Product S/N Label_ DR970X-2CH Truck

1. 2022.11.01



45mm X 12mm