

Measurement Report

Customer : PITASOFT

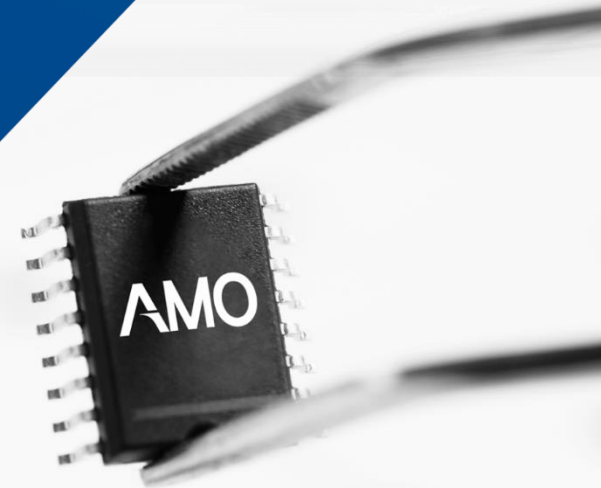
Model : BLACKVUE7 BOX

Application : Dual Wi-Fi

Antenna P/N : SHDA10312442B

2021. 12. 24

AMO
A M O T E C H

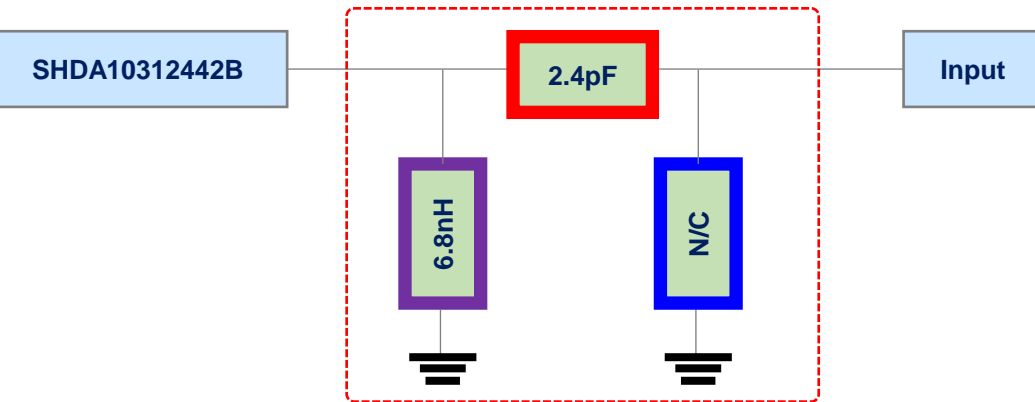


1. Measurement Report Dual Wi-Fi

1. Passive measurement

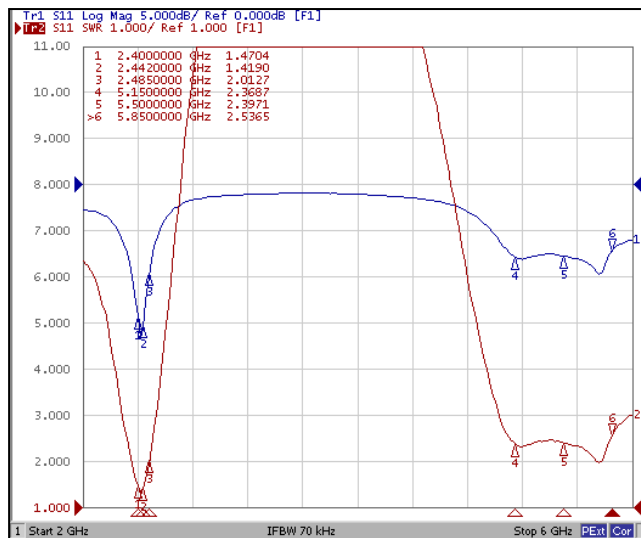
1-1. Antenna matching value

Antenna matching circuit

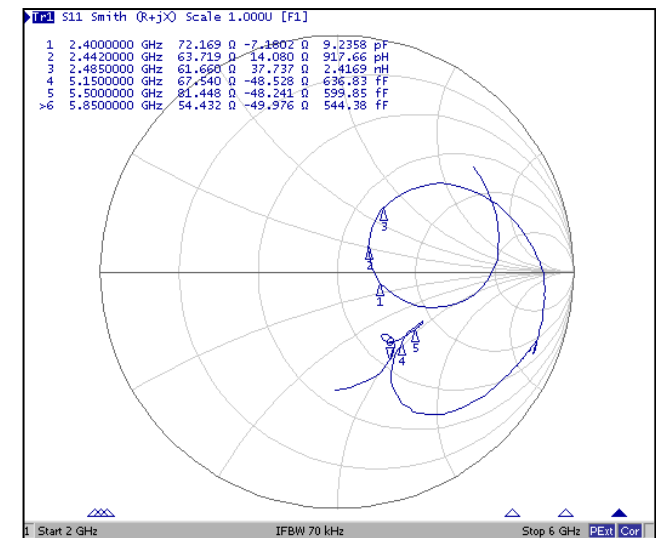


Set condition

1-2. Measured S-parameter



Return Loss & VSWR



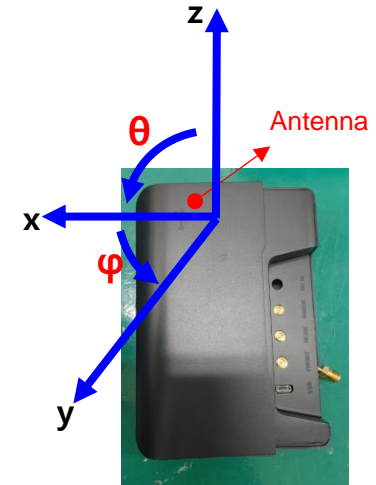
Smith chart

1. Measurement Report

1-3 Measured passive gain & active data

Frequency [MHz]	Efficiency [%]	Average gain [dBi]	Peak gain [dBi]
2400	63.00	-2.01	2.06
2442	69.11	-1.60	2.75
2485	54.80	-2.61	1.46
5150	45.41	-3.43	0.49
5500	48.77	-3.12	0.63
5850	38.74	-4.12	0.06

Channel	TRP	TIS
1	16.58	82.35
6	16.35	83.08
11	15.93	82.04



1-4. Radiation pattern

