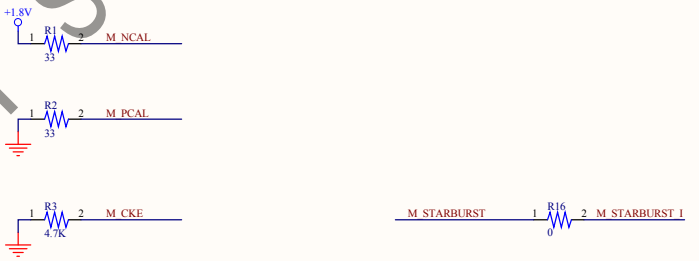
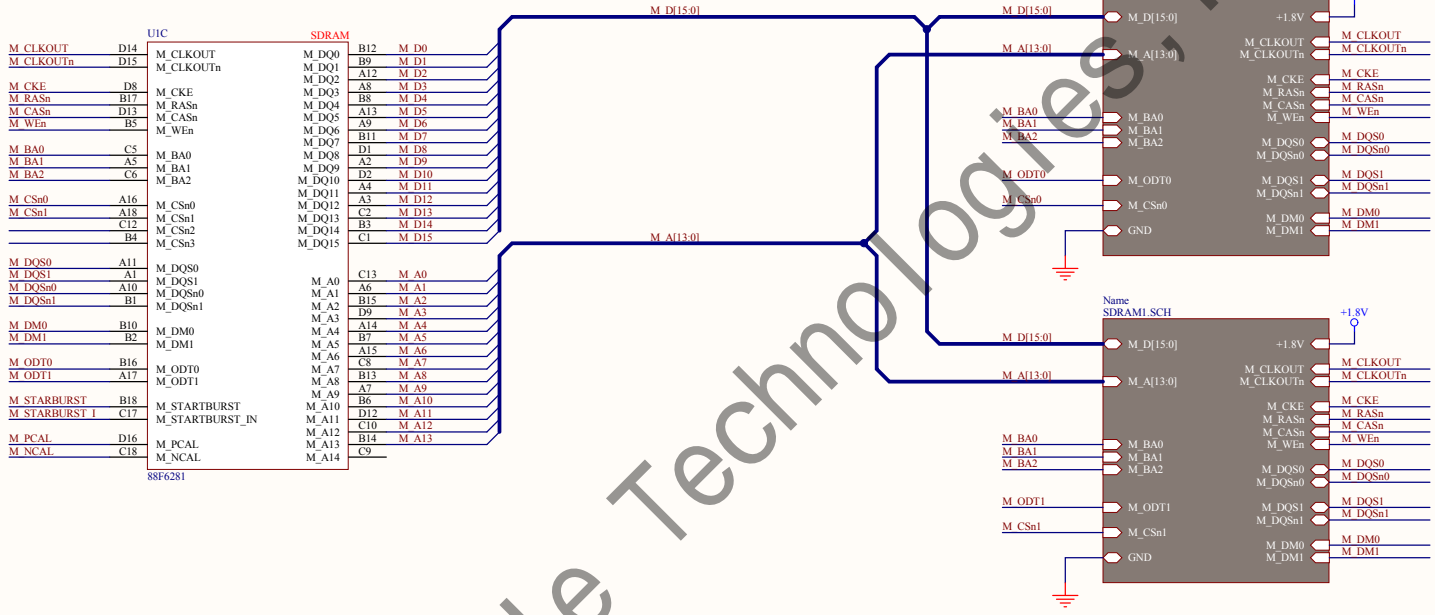
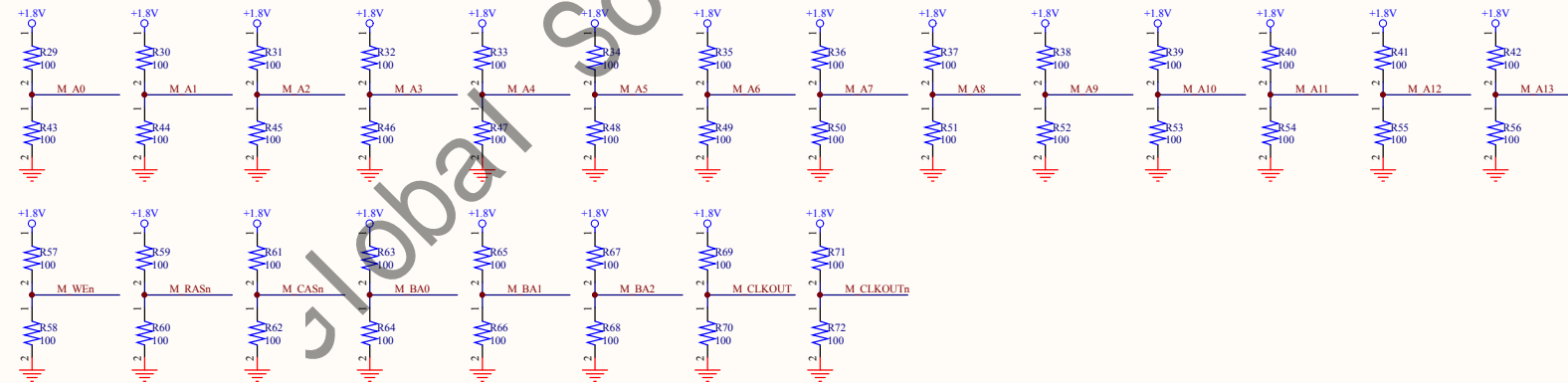
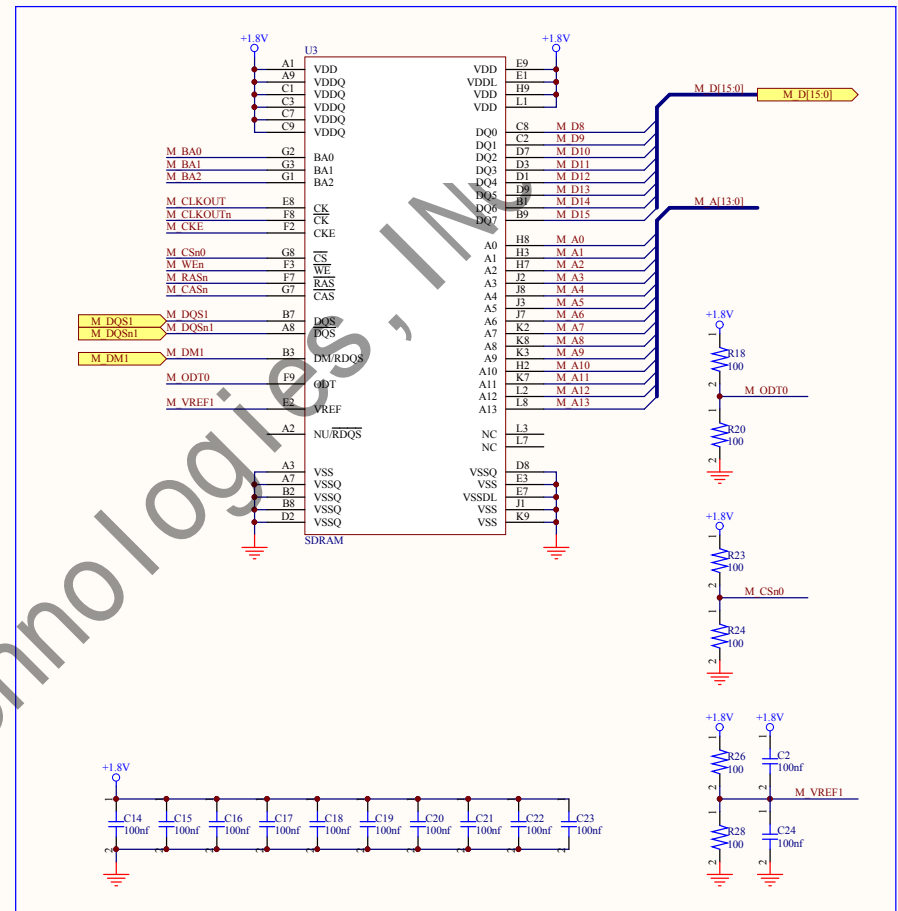
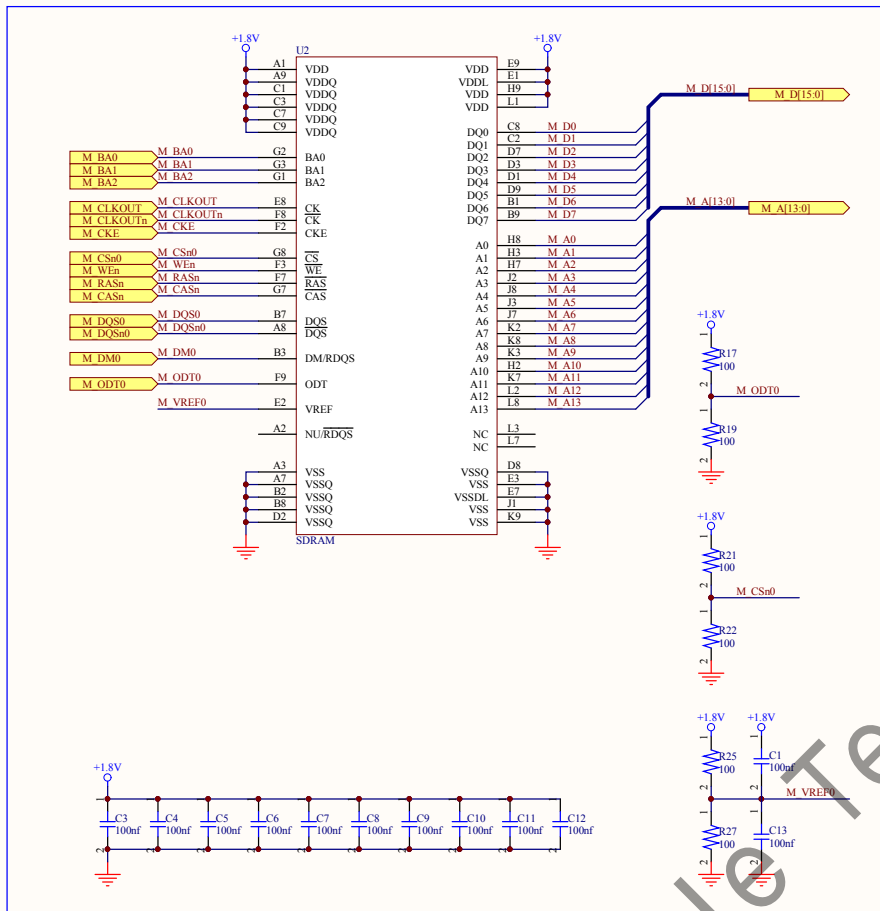
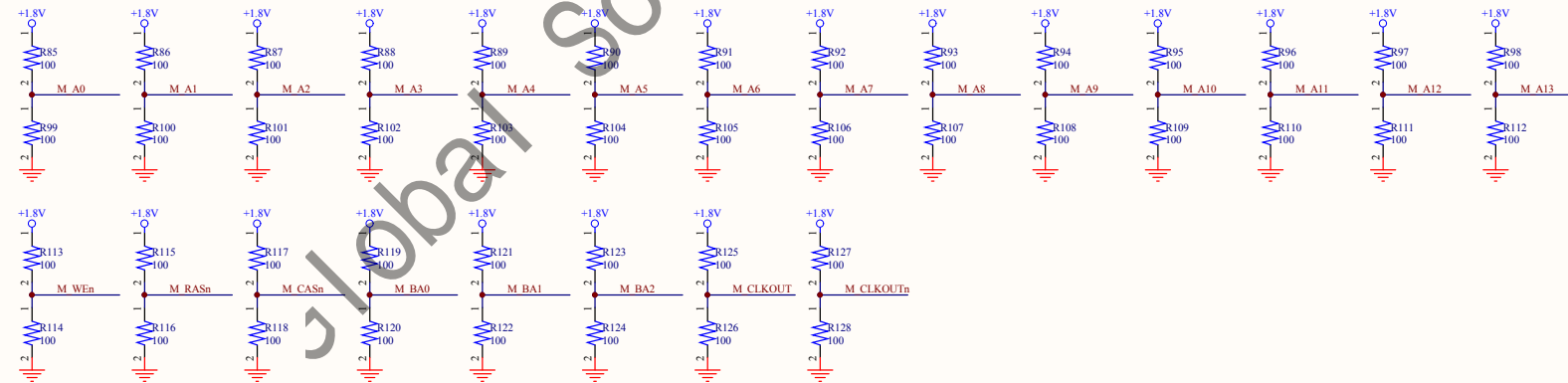
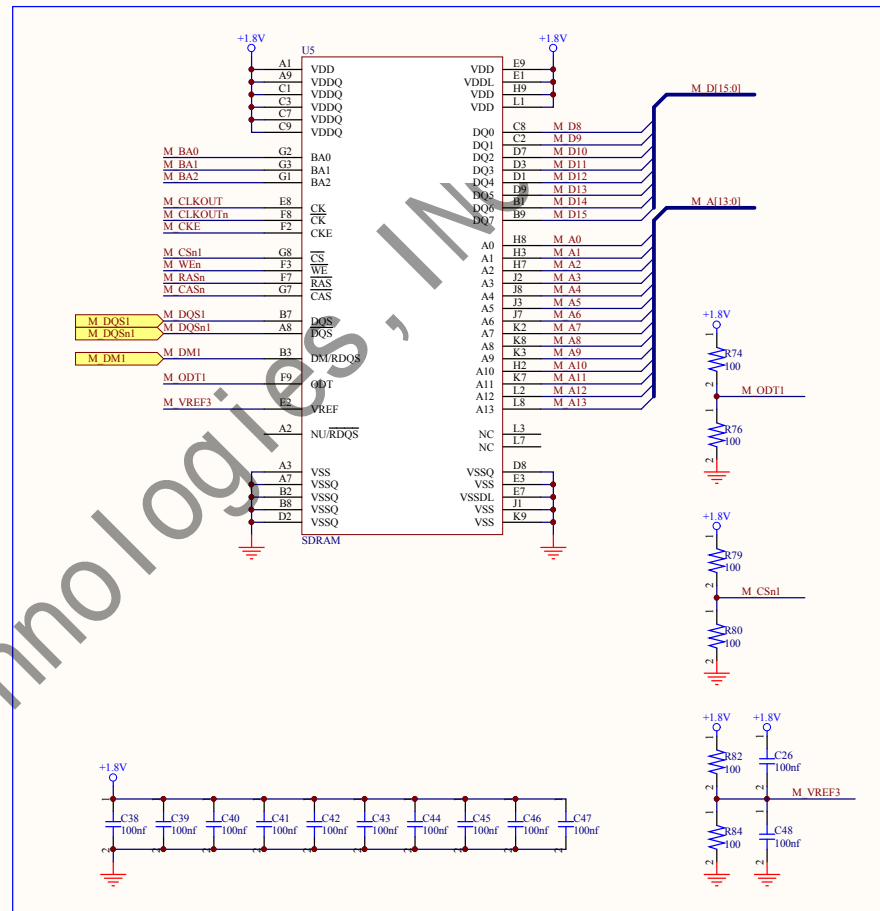
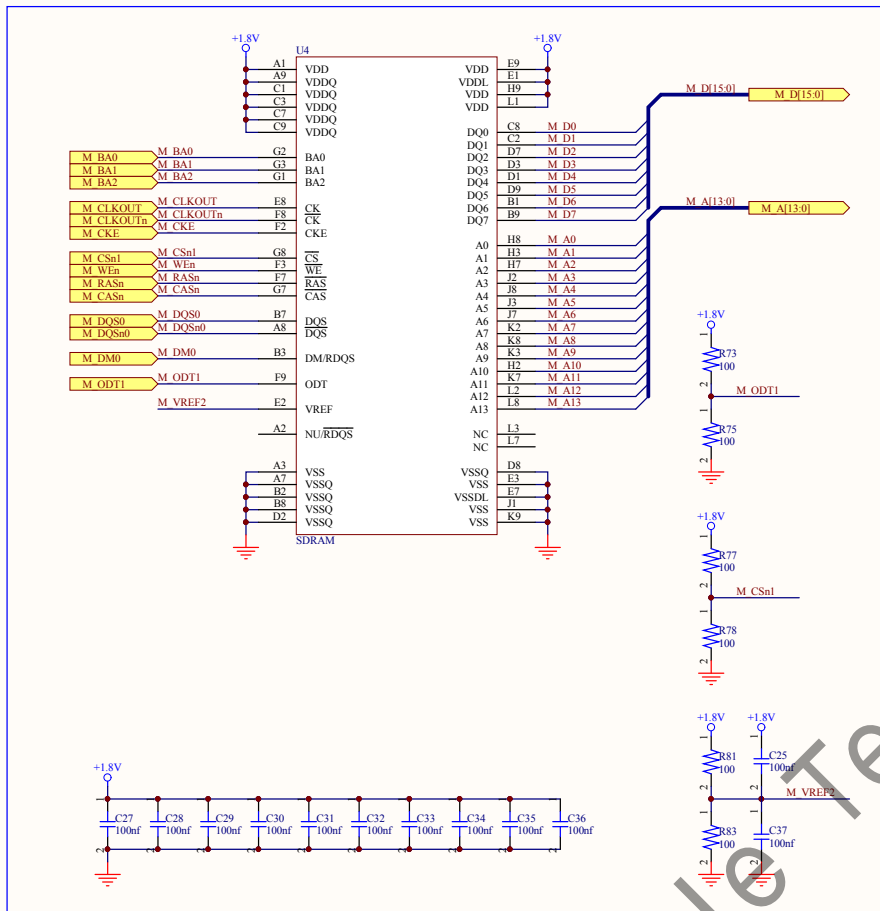


UIC		SDRAM	
M_CLKOUT	D14	M_CLKOUT	M_DQ0
M_CLKOUTn	D15	M_CLKOUTn	M_DQ0
M_CKE	D8	M_CKE	M_DQ1
M_RASn	B17	M_RASn	M_DQ1
M_CASn	D13	M_CASn	M_DQ2
M_WEn	B5	M_WEn	M_DQ2
M_BA0	C5	M_BA0	M_DQ3
M_BA1	A5	M_BA1	M_DQ3
M_BA2	C6	M_BA2	M_DQ4
M_CS0	A16	M_CS0	M_DQ4
M_CS1	A18	M_CS1	M_DQ5
M_CS2	C12	M_CS2	M_DQ5
M_CS3	B4	M_CS3	M_DQ6
M_DQ0	A11	M_DQ0	M_DQ6
M_DQ1	A1	M_DQ1	M_DQ7
M_DQ0n	A10	M_DQ0n	M_DQ7
M_DQ1n	B1	M_DQ1n	M_DQ8
M_DM0	B10	M_DM0	M_DQ8
M_DM1	B2	M_DM1	M_DQ9
M_ODT0	B16	M_ODT0	M_DQ9
M_ODT1	A17	M_ODT1	M_DQ10
M_STARBURST	B18	M_STARBURST	M_DQ10
M_STARBURST_1	C17	M_STARBURST_1	M_DQ11
M_PCAL	D16	M_PCAL	M_DQ11
M_NCAL	C18	M_NCAL	M_DQ12
			M_DQ12
			M_DQ13
			M_DQ13
			M_DQ14
			M_DQ14
			M_DQ15
			M_DQ15

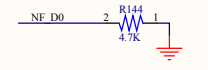
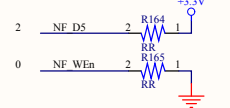
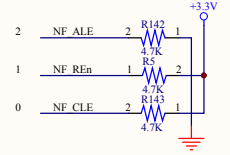
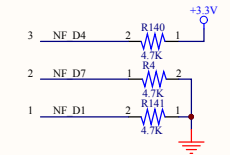
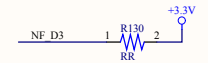
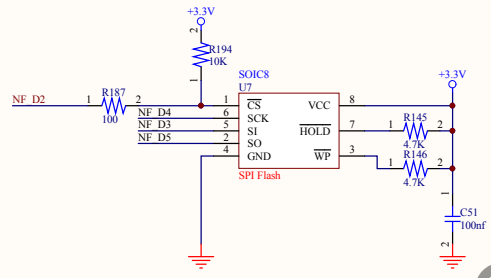
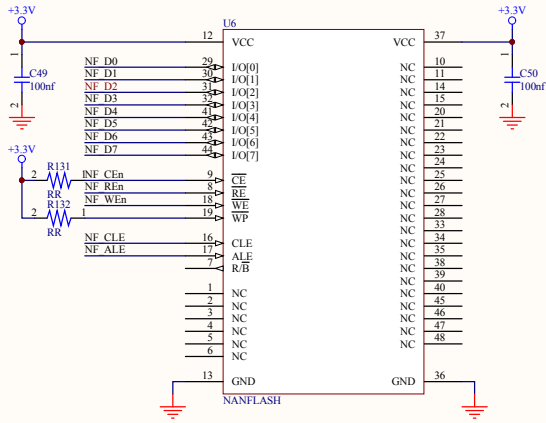
88F6281



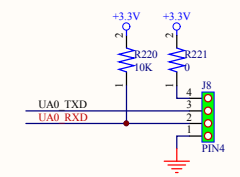
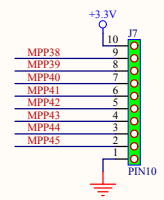
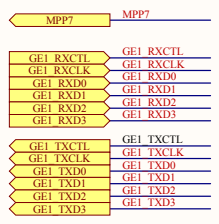
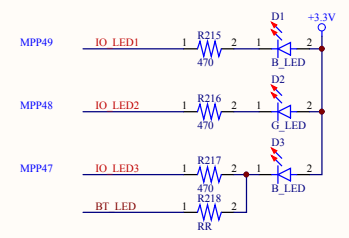
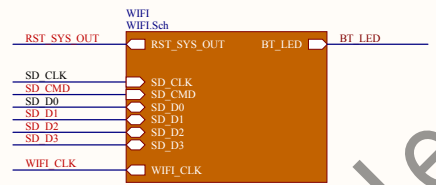
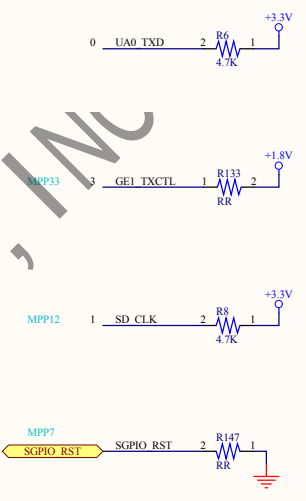
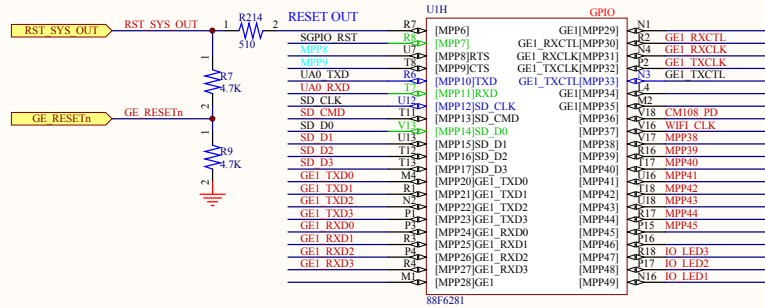


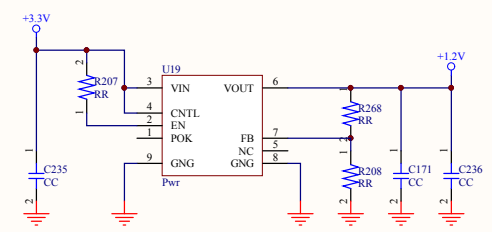
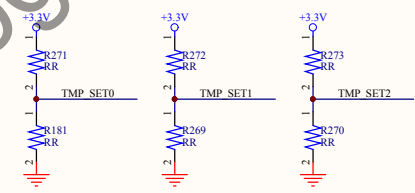
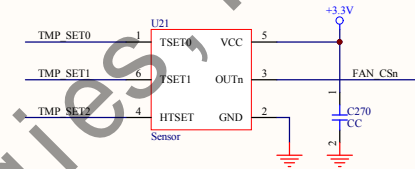
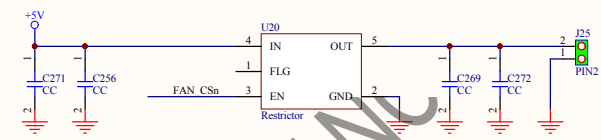
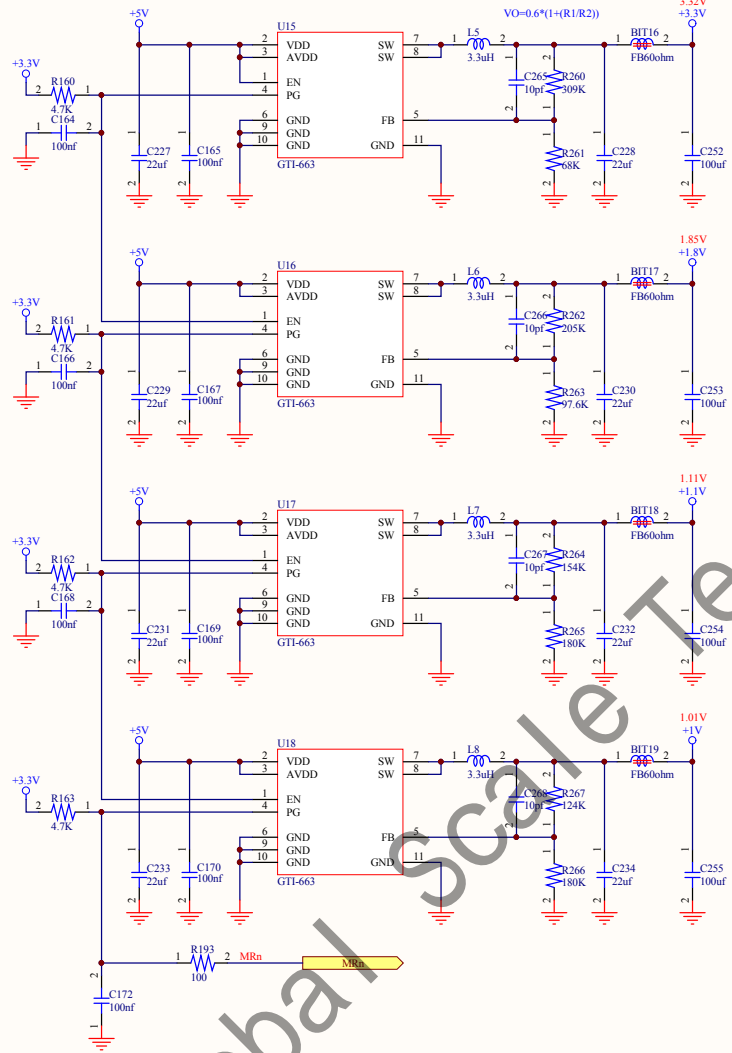


UID		NAND Flash	
NF_CLE	R11	[MPP18]NF_IO0	V10
NF_ALE	R10	[MPP19]NF_IO1	U10
NF_CEn	V11	[MPP0]NF_IO2	U9
		[MPP1]NF_IO3	V8
		[MPP2]NF_IO4	V7
NF_REn	U11	[MPP3]NF_IO5	V9
NF_WEn	V12	[MPP4]NF_IO6	V19
		[MPP5]NF_IO7	T10

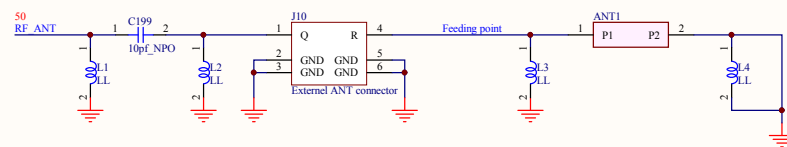
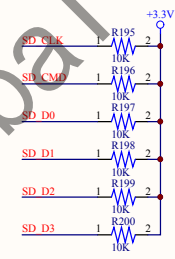
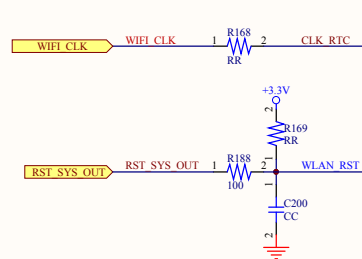
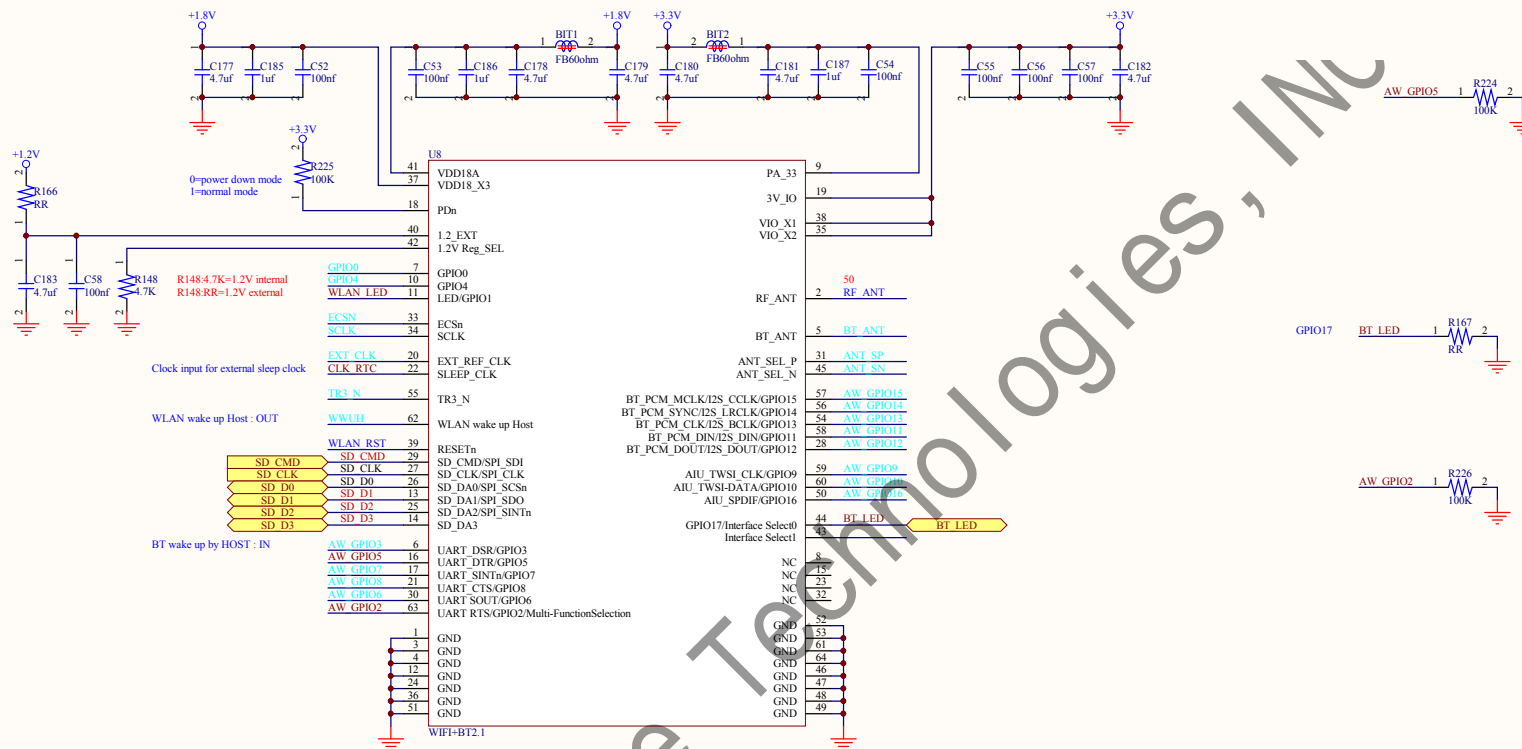


Global Scale Technologies, INC

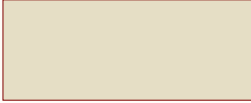




Global Scale Technologies, INC



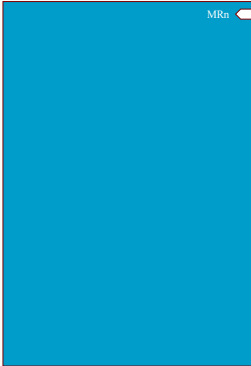
SDRAM_IO
SDRAM IO Sch



PCIE_SATA
PCIE SATA Sch



POWER
POWER Sch



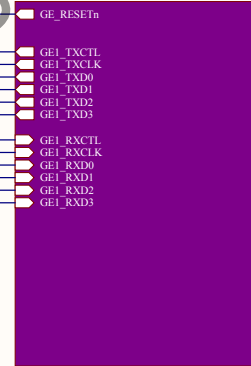
USB_IO
USB IO Sch



GPIO
GPIO Sch



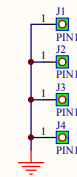
Ethernet
Ethernet Sch



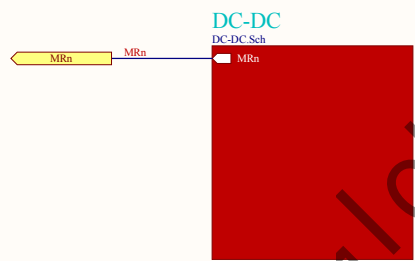
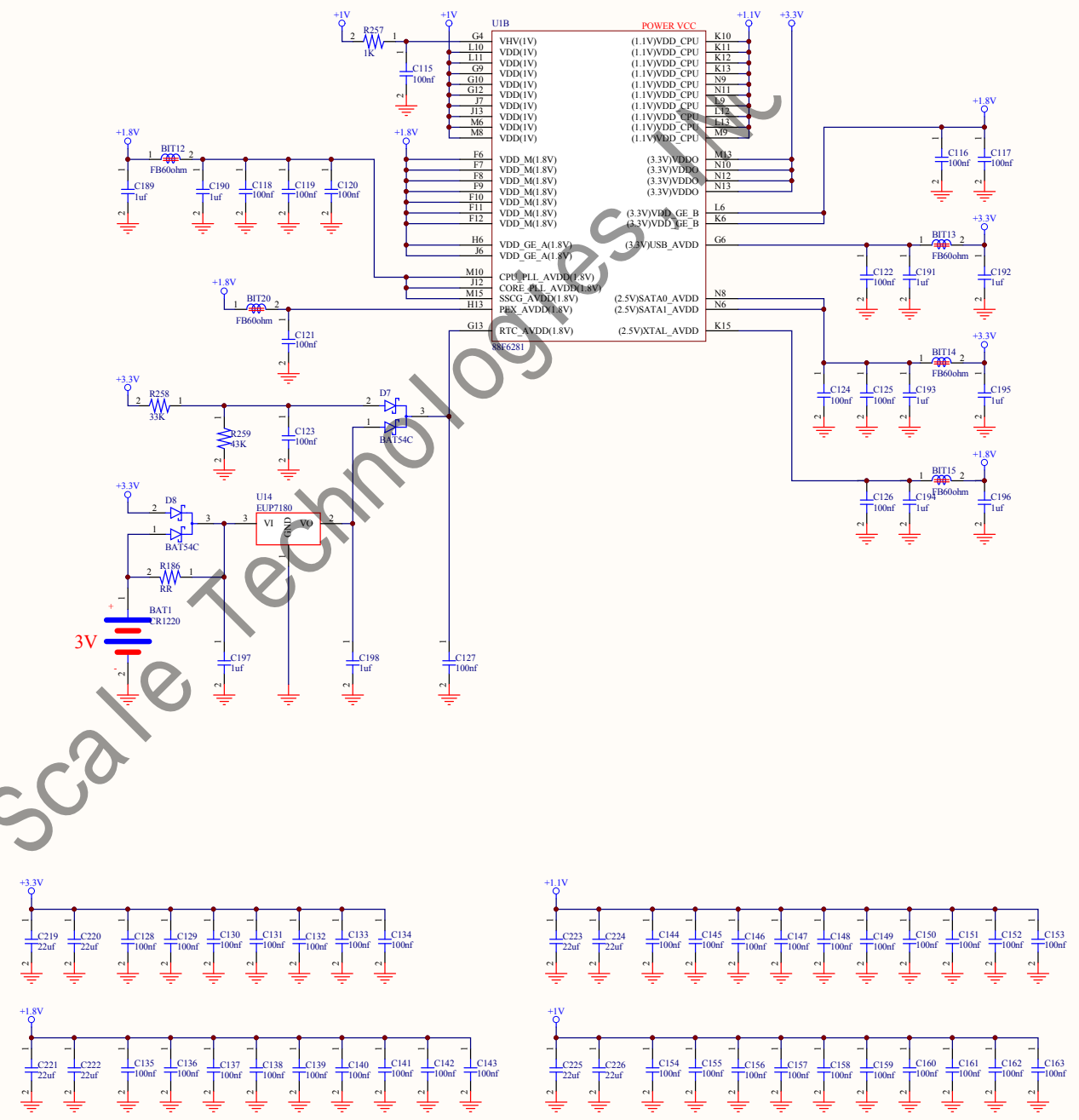
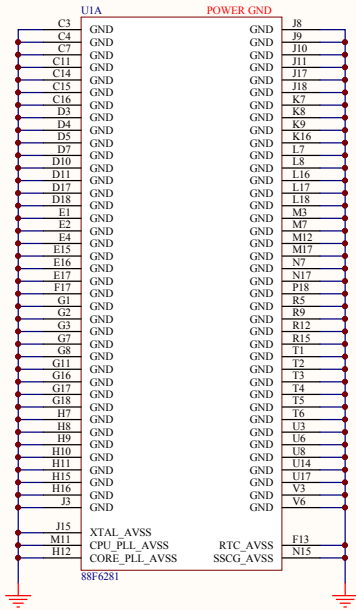
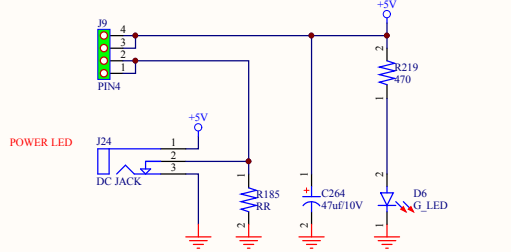
NAND
NAND Sch

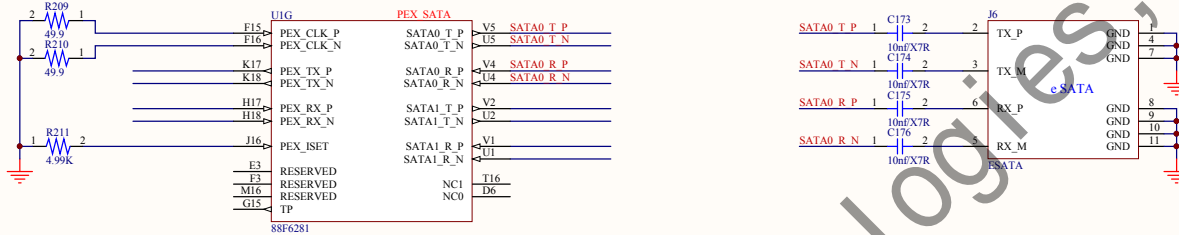


Dream plug_V8R1

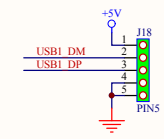
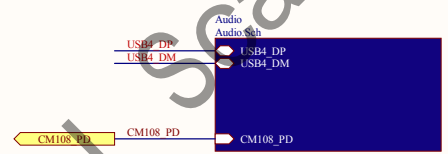
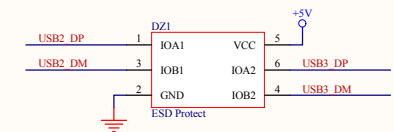
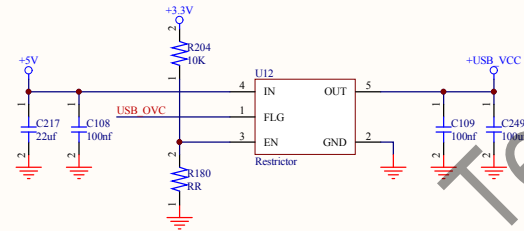
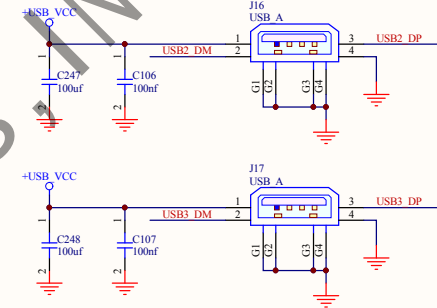
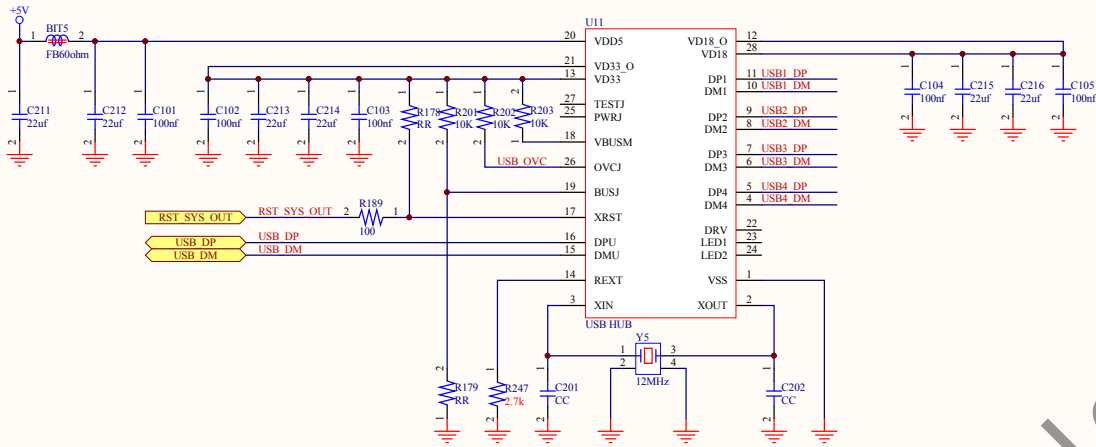


+5V/3A POWER IN

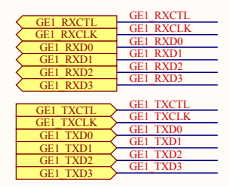
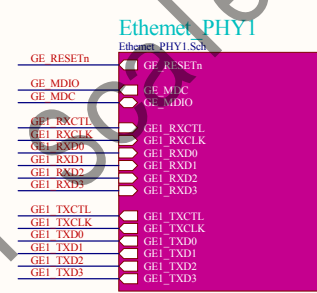
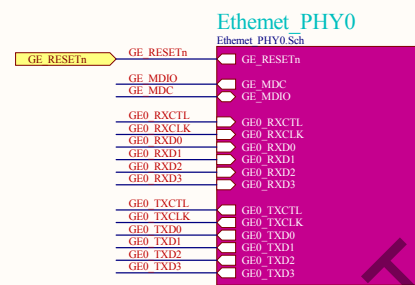
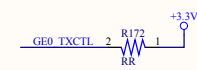
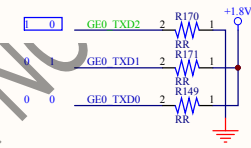
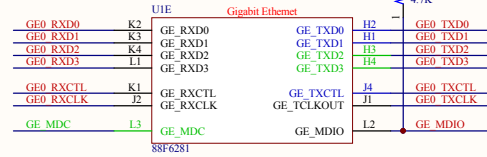




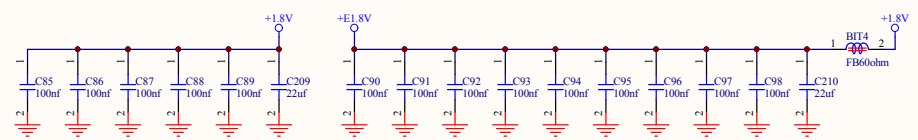
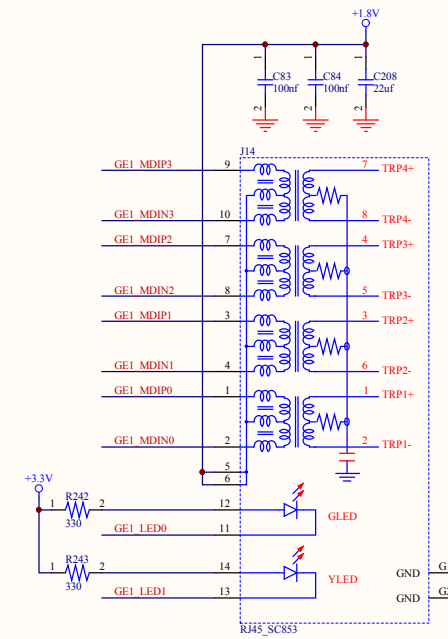
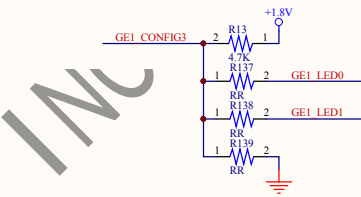
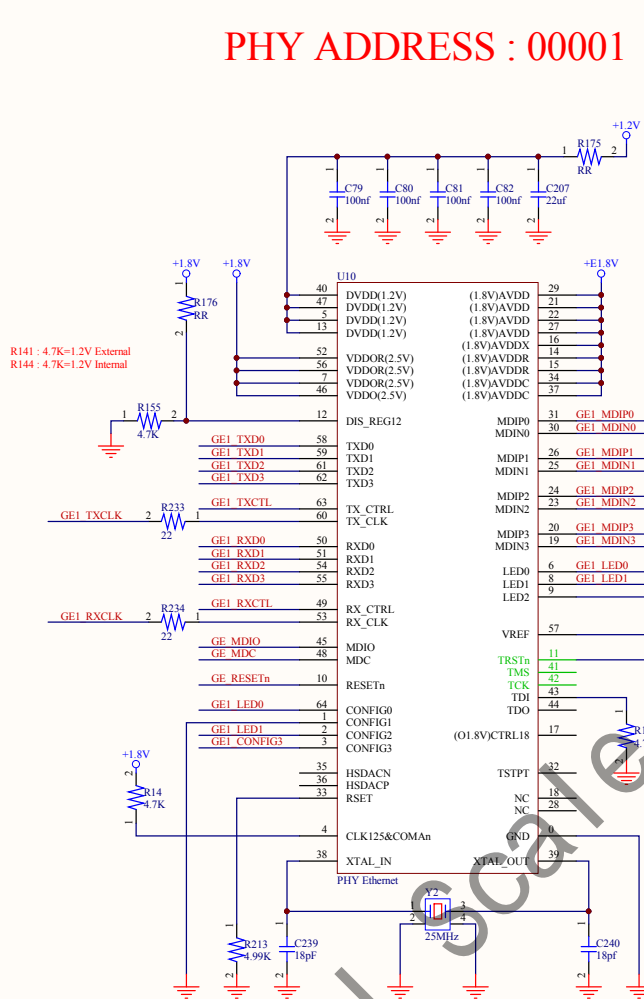
Global Scale Technologies, Inc



Global Scale Technologies



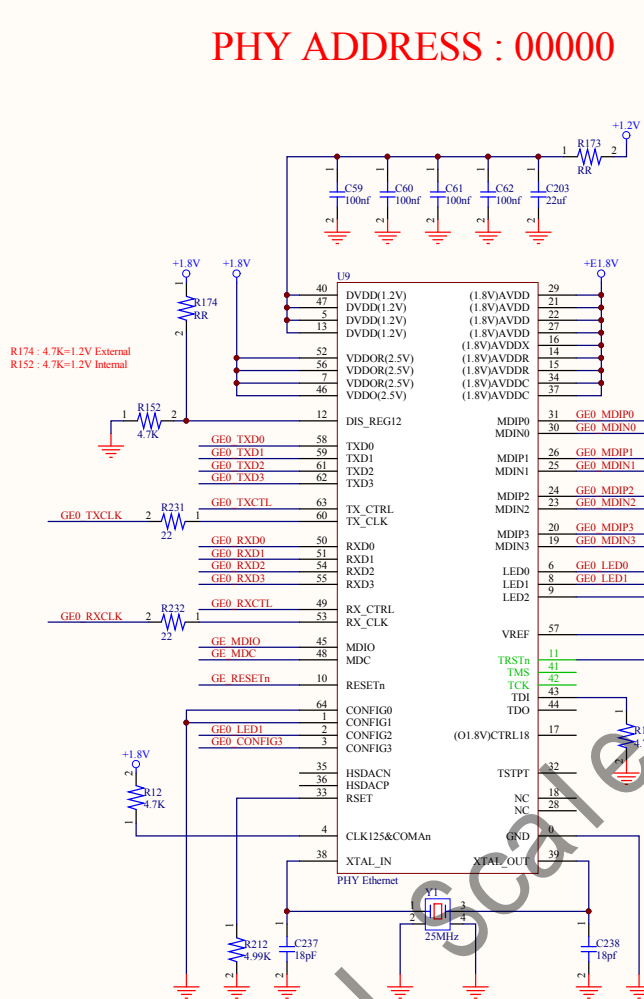
PHY ADDRESS : 00001



GE1 TXD0	GE1 TXD0
GE1 TXD1	GE1 TXD1
GE1 TXD2	GE1 TXD2
GE1 TXD3	GE1 TXD3
GE1 TXCTL	GE1 TXCTL
GE1 TXCLK	GE1 TXCLK
GE1 RXD0	GE1 RXD0
GE1 RXD1	GE1 RXD1
GE1 RXD2	GE1 RXD2
GE1 RXD3	GE1 RXD3
GE1 RXCTL	GE1 RXCTL
GE1 RXCLK	GE1 RXCLK
GE RESETr	GE RESETr
GE MDIO	GE MDIO
GE MDC	GE MDC

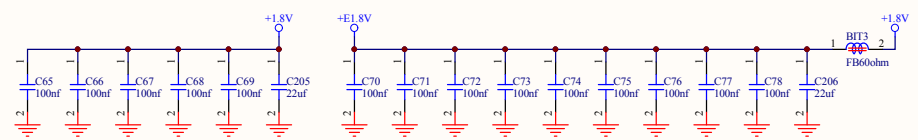
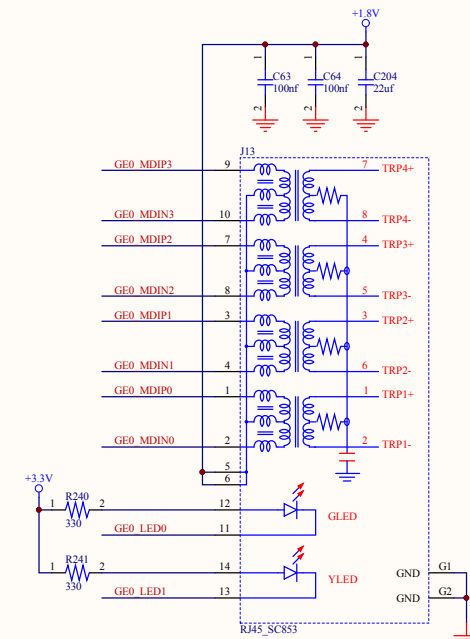
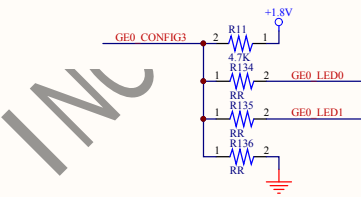
Global Scale Technologies, INC

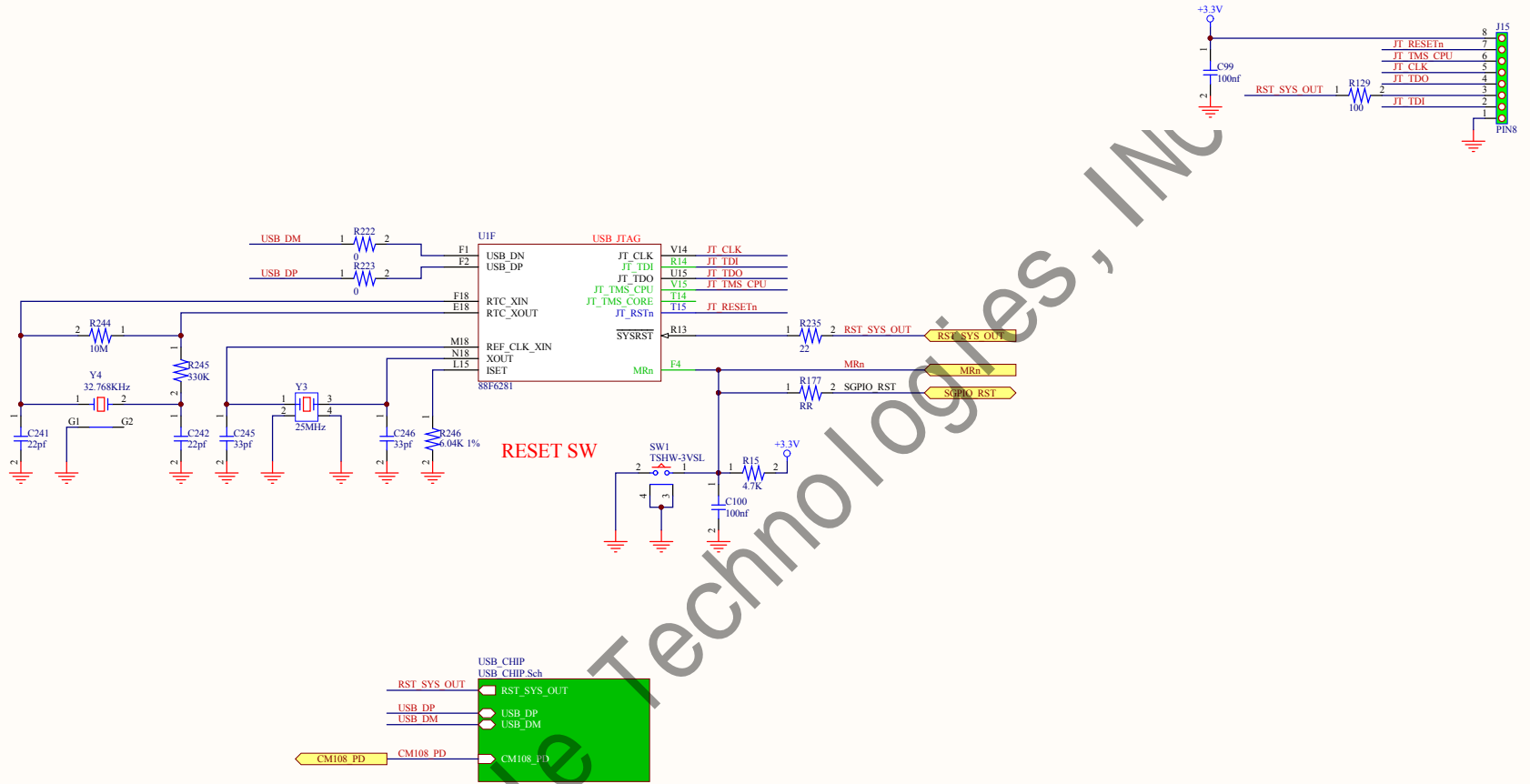
PHY ADDRESS : 00000



R174 : 4.7K=1.2V External
R152 : 4.7K=1.2V Internal

GEO_TXD0	GEO_TXD0
GEO_TXD1	GEO_TXD1
GEO_TXD2	GEO_TXD2
GEO_TXD3	GEO_TXD3
GEO_TXCTL	GEO_TXCTL
GEO_TXCLK	GEO_TXCLK
GEO_RXD0	GEO_RXD0
GEO_RXD1	GEO_RXD1
GEO_RXD2	GEO_RXD2
GEO_RXD3	GEO_RXD3
GEO_RXCTL	GEO_RXCTL
GEO_RXCLK	GEO_RXCLK
GE_RESETn	GE_RESETn
GE_MDIO	GE_MDIO
GE_MDC	GE_MDC





Global Scale Technologies, INC