

FCC ID: YC6GLOBEI250S3BDE  
Model: Globe i250-S3  
Label and Location

The label shown will be permanently affixed at a conspicuous location on the device and be readily visible to the user at the time of purchase.

**Model: Globe i250-S3**  
**Ordercode: i25S-1TU00-01**  
**Power: 100 - 240 VAC 50/60Hz 4.7A**

**FC** **CE 1177** **!**

**FCC ID: YC6GLOBEI250S3BDE**

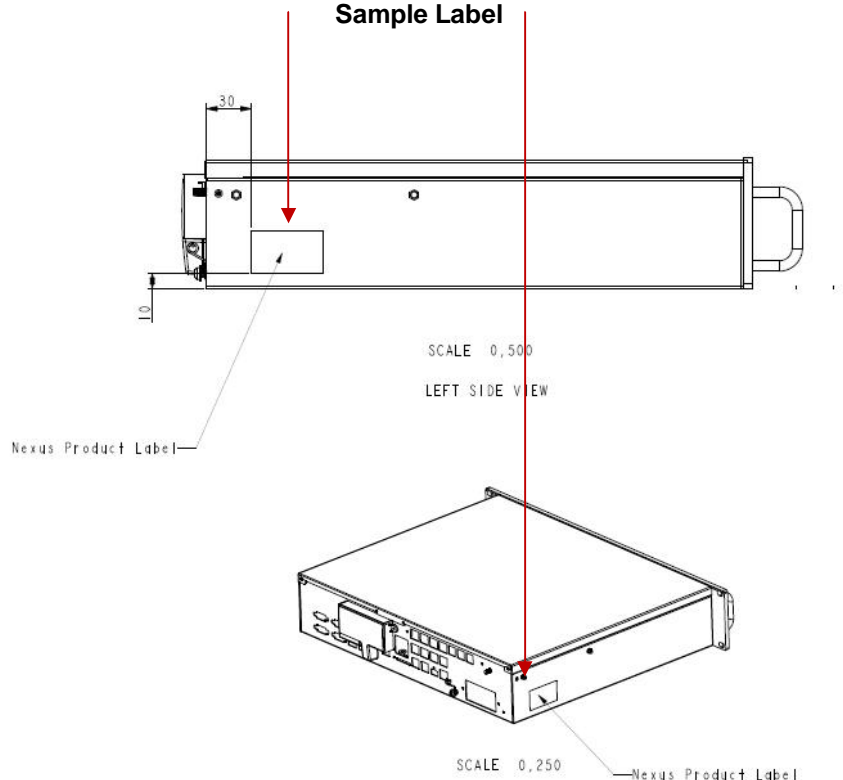
This device complies with Part 15 of the FCC Rules. Operation is subject to the following two conditions: (1) this device may not cause harmful interference, and (2) this device must accept any interference received, including interference that may cause undesired operation.

**Made in Malaysia**      **Designed in Singapore**



# SCALE 200%

Sample Label



**Physical Location of FCC Label on EUT**