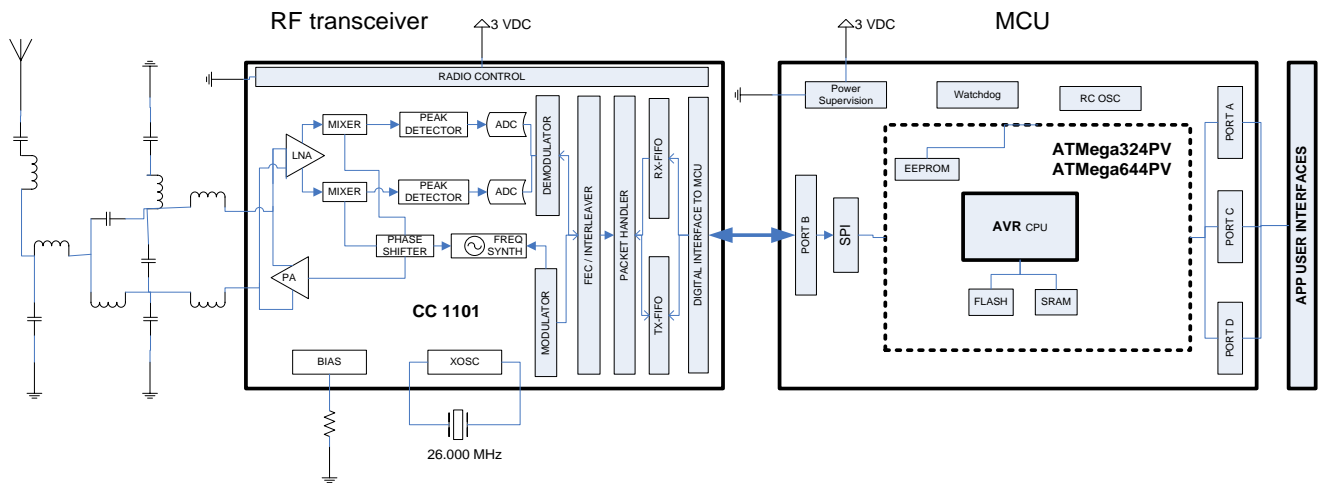


RF module system “Proline2” for Combio- XXX MHz, RolTop-XXX MHz

1.1.2 Model versions of Combio- or RolTop tubular motors receiver with TMWA modules

	Combio-915 JA	Combio-915 RM	Combio-915 Revoline
Main using	remote control unit (actor) for venetian blind motors	remote control unit (actor) for tubular motors	remote control unit (actor) for tubular motors RolTop
Elero art. no.	art.-no. 28.500.0906	art.-no. 28.520.0906	art.-no. 28.525.0906
RF feature	receiving protocol 64bit/2.4kbaud (915,3Mhz) or 60Byte/76.8kbaud (918,3 MHz)	receiving protocol 64bit/2.4kbaud (915,3Mhz) or 60Byte/76.8kbaud (918,3 MHz)	receiving protocol 64bit/2.4kbaud (915,3Mhz) or 60Byte/76.8kbaud (918,3 MHz)
Hardware-Differences	power supply connection about “Hirschmann” – plug(male) , motor connection about “Hirschmann”- plug(female)	power supply connection about crimping sleeves , motor connection about plug (big size)	power supply connection about crimping sleeves , motor connection about mini plug (mini size)
Firmware-Differences	After motor start by key Up or Down the motor will be stopped if key Up or Down is released during the first 2 sec (receiving Released-Cmd of the remote control)	After motor start by key Up or Down the motor will be not stopped if the key Up or Down is released during the first 2 sec (receiving Released – Cmd of the remote control will be ignored); only stop by key Stop	

1.2 technical schemes



ELERO GMBH
PROLINE 2 remote control system

Files	Project	Author	Rev. No.	Rev. Date
technical files_RF system Proline2	Proline2 UL	PRR		11.02.2013