

Item no.	Designation	Grain	Colour Code
1	Fascia	VDI 3400 Level 30-33	Black 901510
2	Lens	Transparent	Transparent

	Product Number	Daimler Number
TCC Touch	7620 000 222	A 000 446 87 62
Cable Adapter Daimler	7620 000 810	A 963 440 00 53

- Unspecified dimension acc. to CAD data file - TCC_TOUCH_7620000222_02Aug2016.stp
- Weight of the radio is approximately 1600g
- Do not apply force on LCD when mounting the radio to dashboard.
- Normal operating temperature range is from -20°C to +70°C
- TCC Touch radio do not come with cable adapter. Cable adapter P/N: 7620 000 810 needs to be ordered separately.

EMV: (E1) 10 R-05 8031, CE, FCC

© 2016 Bosch Power Tools GmbH. Alle Rechte vorbehalten. Nachdruck, Vervielfältigung und Verbreitung, auch auszugsweise, ist ohne schriftliche Genehmigung der Bosch Power Tools GmbH.

File acc. to P. 150 14405-1:2010-12
envelope principle/
Bluelight.rpt

01	20160908	KONTR1	9050	RMP/END	
01	20160805	KONTR1	9050	RMP/END	
01	20160616	KONTR1	9050	RMP/END	
01	Change/Amn.	YY11M002	Draw/Doc.	Check/Exp.	Revis./Trig

Frühjahr/Herbst
11/2017

Frühjahr

1000 g/m²

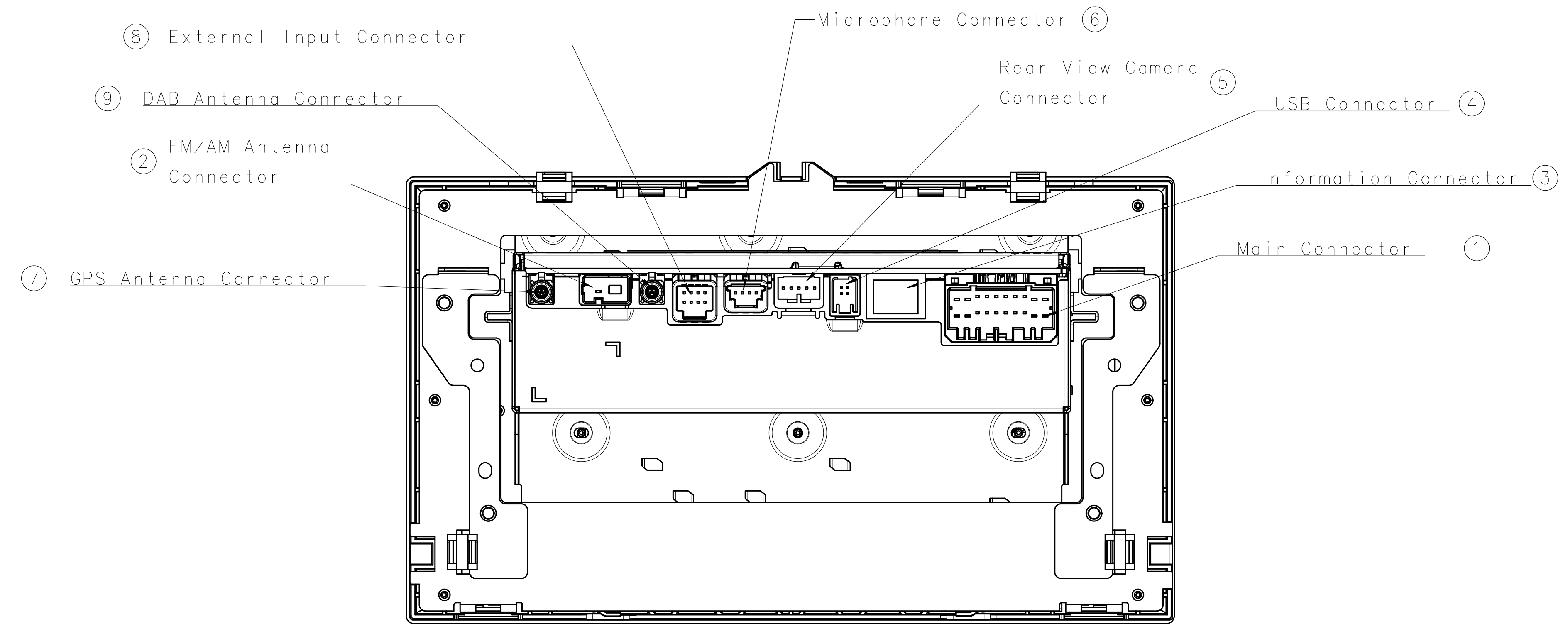
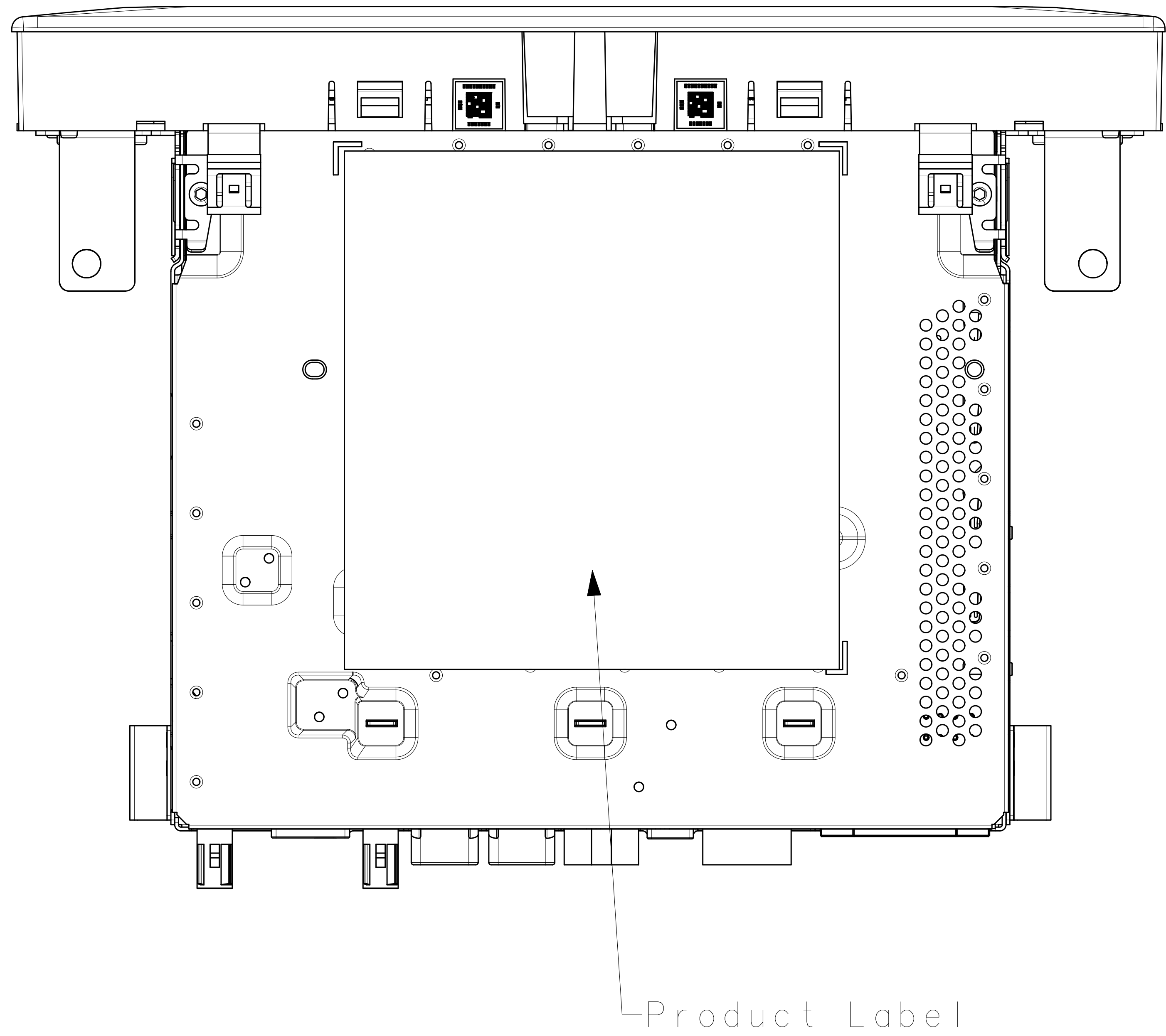
1:1

BOSCH CUSTOMER DOCUMENT SET
KUNDENANLEITUNGSSATZ

Daimler
TCC Touch

7 620 000 222 EA

000 02



Connector list

<p>① Main connector</p> <p>Head unit side JAE: MX5-A-20P-L Opposite side JAE: MX5-A-20S-C</p> <table border="1"> <thead> <tr> <th>No.</th> <th>Connections</th> </tr> </thead> <tbody> <tr><td>1</td><td>N.C.</td></tr> <tr><td>2</td><td>IGNITION(RSV)</td></tr> <tr><td>3</td><td>N.C.</td></tr> <tr><td>4</td><td>N.C.</td></tr> <tr><td>5</td><td>SP-R/R+</td></tr> <tr><td>6</td><td>SP-R/L+</td></tr> <tr><td>7</td><td>SP-F/R+</td></tr> <tr><td>8</td><td>SP-F/L+</td></tr> <tr><td>9</td><td>N.C.</td></tr> <tr><td>10</td><td>+B</td></tr> <tr><td>11</td><td>N.C.</td></tr> <tr><td>12</td><td>N.C.</td></tr> <tr><td>13</td><td>N.C.</td></tr> <tr><td>14</td><td>N.C.</td></tr> <tr><td>15</td><td>SP-R/R-</td></tr> <tr><td>16</td><td>SP-R/L-</td></tr> <tr><td>17</td><td>SP-F/R-</td></tr> <tr><td>18</td><td>SP-F/L-</td></tr> <tr><td>19</td><td>N.C.</td></tr> <tr><td>20</td><td>GND</td></tr> </tbody> </table>	No.	Connections	1	N.C.	2	IGNITION(RSV)	3	N.C.	4	N.C.	5	SP-R/R+	6	SP-R/L+	7	SP-F/R+	8	SP-F/L+	9	N.C.	10	+B	11	N.C.	12	N.C.	13	N.C.	14	N.C.	15	SP-R/R-	16	SP-R/L-	17	SP-F/R-	18	SP-F/L-	19	N.C.	20	GND	<p>② FM/AM Antenna connector</p> <p>Head unit side Hirose: GT135HA-1/1PP-DS Opposite side Hirose: GT135H-1/1S-HU</p> <table border="1"> <thead> <tr> <th>No.</th> <th>Connections</th> </tr> </thead> <tbody> <tr><td>1</td><td>Ant.-Signal</td></tr> <tr><td>2</td><td>Ant.-+B</td></tr> <tr><td>3</td><td>Ant.-GND</td></tr> </tbody> </table>	No.	Connections	1	Ant.-Signal	2	Ant.-+B	3	Ant.-GND	<p>③ Information connector</p> <p>Head unit side Yazaki: 7382-5841 Opposite side Yazaki: 7283-5830</p> <table border="1"> <thead> <tr> <th>No.</th> <th>Connections</th> </tr> </thead> <tbody> <tr><td>1</td><td>CAN H</td></tr> <tr><td>2</td><td>CAN L</td></tr> <tr><td>3</td><td>N.C.</td></tr> <tr><td>4</td><td>N.C.</td></tr> <tr><td>5</td><td>N.C.</td></tr> </tbody> </table>	No.	Connections	1	CAN H	2	CAN L	3	N.C.	4	N.C.	5	N.C.	<p>④ USB connector</p> <p>Head unit side Hirose: GT17HN-40P-2H (A) Opposite side Hirose: GT17HN-40S-2C (A)</p> <table border="1"> <thead> <tr> <th>No.</th> <th>Connections</th> </tr> </thead> <tbody> <tr><td>1</td><td>USB GND</td></tr> <tr><td>2</td><td>USB 5V</td></tr> <tr><td>3</td><td>DATA +</td></tr> <tr><td>4</td><td>DATA -</td></tr> </tbody> </table>	No.	Connections	1	USB GND	2	USB 5V	3	DATA +	4	DATA -
No.	Connections																																																																										
1	N.C.																																																																										
2	IGNITION(RSV)																																																																										
3	N.C.																																																																										
4	N.C.																																																																										
5	SP-R/R+																																																																										
6	SP-R/L+																																																																										
7	SP-F/R+																																																																										
8	SP-F/L+																																																																										
9	N.C.																																																																										
10	+B																																																																										
11	N.C.																																																																										
12	N.C.																																																																										
13	N.C.																																																																										
14	N.C.																																																																										
15	SP-R/R-																																																																										
16	SP-R/L-																																																																										
17	SP-F/R-																																																																										
18	SP-F/L-																																																																										
19	N.C.																																																																										
20	GND																																																																										
No.	Connections																																																																										
1	Ant.-Signal																																																																										
2	Ant.-+B																																																																										
3	Ant.-GND																																																																										
No.	Connections																																																																										
1	CAN H																																																																										
2	CAN L																																																																										
3	N.C.																																																																										
4	N.C.																																																																										
5	N.C.																																																																										
No.	Connections																																																																										
1	USB GND																																																																										
2	USB 5V																																																																										
3	DATA +																																																																										
4	DATA -																																																																										
<p>⑤ Rear view camera connector</p> <p>Head unit side JAE: IL-A65-5P-53L2 Opposite side JAE: IL-A65-5S-53C1</p> <table border="1"> <thead> <tr> <th>No.</th> <th>Connections</th> </tr> </thead> <tbody> <tr><td>1</td><td>Camera-DET</td></tr> <tr><td>2</td><td>Camera-6V</td></tr> <tr><td>3</td><td>Video-In</td></tr> <tr><td>4</td><td>Shield-GND</td></tr> <tr><td>5</td><td>Camera-GND</td></tr> </tbody> </table>	No.	Connections	1	Camera-DET	2	Camera-6V	3	Video-In	4	Shield-GND	5	Camera-GND	<p>⑥ Microphone connector</p> <p>Head unit side AMP: 1565749-4 Opposite side AMP: 1473672-2</p> <table border="1"> <thead> <tr> <th>No.</th> <th>Connections</th> </tr> </thead> <tbody> <tr><td>1</td><td>N.C.</td></tr> <tr><td>2</td><td>MIC-GND</td></tr> <tr><td>3</td><td>MIC-IN +</td></tr> <tr><td>4</td><td>MIC-DET</td></tr> </tbody> </table>	No.	Connections	1	N.C.	2	MIC-GND	3	MIC-IN +	4	MIC-DET	<p>⑦ GPS antenna connector</p> <p>Head unit side Fakra: Plug, Code-C Opposite side Fakra: Jack, Code-C</p> <table border="1"> <thead> <tr> <th>No.</th> <th>Connections</th> </tr> </thead> <tbody> <tr><td>1</td><td>GPS Signal +</td></tr> <tr><td>2</td><td>GPS-GND</td></tr> </tbody> </table>	No.	Connections	1	GPS Signal +	2	GPS-GND	<p>⑧ External input connector</p> <p>Head unit side Tyco: 1376350 Opposite side Tyco: 1376352-1</p> <table border="1"> <thead> <tr> <th>No.</th> <th>Connections</th> </tr> </thead> <tbody> <tr><td>1</td><td>N.C.</td></tr> <tr><td>2</td><td>N.C.</td></tr> <tr><td>3</td><td>N.C.</td></tr> <tr><td>4</td><td>AUX1 AF L+</td></tr> <tr><td>5</td><td>N.C.</td></tr> <tr><td>6</td><td>N.C.</td></tr> <tr><td>7</td><td>AUX1 AF COM</td></tr> <tr><td>8</td><td>AUX1 AF R+</td></tr> </tbody> </table>	No.	Connections	1	N.C.	2	N.C.	3	N.C.	4	AUX1 AF L+	5	N.C.	6	N.C.	7	AUX1 AF COM	8	AUX1 AF R+	<p>⑨ DAB antenna connector</p> <p>Head unit side Fakra: Plug, Code-A Opposite side Fakra: Jack, Code-A</p> <table border="1"> <thead> <tr> <th>No.</th> <th>Connections</th> </tr> </thead> <tbody> <tr><td>1</td><td>DAB-Signal +</td></tr> <tr><td>2</td><td>DAB-GND</td></tr> </tbody> </table>	No.	Connections	1	DAB-Signal +	2	DAB-GND																			
No.	Connections																																																																										
1	Camera-DET																																																																										
2	Camera-6V																																																																										
3	Video-In																																																																										
4	Shield-GND																																																																										
5	Camera-GND																																																																										
No.	Connections																																																																										
1	N.C.																																																																										
2	MIC-GND																																																																										
3	MIC-IN +																																																																										
4	MIC-DET																																																																										
No.	Connections																																																																										
1	GPS Signal +																																																																										
2	GPS-GND																																																																										
No.	Connections																																																																										
1	N.C.																																																																										
2	N.C.																																																																										
3	N.C.																																																																										
4	AUX1 AF L+																																																																										
5	N.C.																																																																										
6	N.C.																																																																										
7	AUX1 AF COM																																																																										
8	AUX1 AF R+																																																																										
No.	Connections																																																																										
1	DAB-Signal +																																																																										
2	DAB-GND																																																																										

Size acc. to: 150 14405-1:2010-12
envelope principle/
Bluel (grün) up

2016098	KONPS1	-	-	9050	RMP-FND	-
2016095	KONPS1	-	-	9050	RMP-FND	-
2016016	KONPS1	-	-	9050	RMP-FND	-

Feedback/Information: YYY/MOD: Draw/Doc: Check/Sp: Release/Trig: DM: Res: Appl: Operate: Net: Abs: Info/Doc: Info: Size/Qty: ...

Customer Document Set: KONIGHEITER/ASENSITZ
Date: 12/22
Sheet: 1 of 2
Part No: 7 620 000 222 EA
Doc. Type: DRW
Scale: 1:1
Date: 0002
Rev: 02