

**Deluxe Radio System,  
Deluxe Radio System  
with CD,  
Premium Radio System and  
Premium Radio System  
for North America**

**BETRIEBSANLEITUNG**

**OMJDRADIO AUSGABE A2 (DEUTSCH)**

**John Deere Werke Mannheim**

**Europäische Version**  
PRINTED IN GERMANY

# Einleitung

## Foreword

READ THIS MANUAL carefully to learn how to operate the radio system correctly. This Operator's Manual may be available in other languages (contact your John Deere dealer for ordering).

THIS MANUAL SHOULD BE CONSIDERED a permanent part of your machine and should remain with the machine when you sell it.

RECORD THE PRODUCT IDENTIFICATION NUMBER (P.I.N.) in the space provided in the Specification section. Please record all numbers exactly. In the event of theft, this number may prove vital in tracing your property. Therefore, it is recommended to also record this number elsewhere.

OULXBER.0001B7B -29-13JAN12-1/1

PROOF  
PROOF

# Inhaltsverzeichnis

	Seite
<b>Identification Views and Features</b>	
Identification Views.....	00-1
<b>Safety and General Information</b>	
Important Notes.....	05-1
Intended Use.....	05-1
Road Safety.....	05-1
Disposal.....	05-1
<b>General Operation</b>	
Controls - Deluxe Radio System.....	10-1
Controls - Deluxe Radio System with CD and Premium Radio Systems.....	10-2
Turn Radio On/Off.....	10-2
Adjust Brightness of Radio Illumination (ILLUM).....	10-3
Adjust Volume.....	10-3
Mute Radio (MUTE).....	10-3
Turn Confirmation Beep On/Off (BEEP).....	10-3
Adjust Maximum Volume at Power-On (ONVOL).....	10-3
Adjust Sound.....	10-4
Adjust Left/Right Volume Distribution (BAL).....	10-4
Adjust Front/Rear Volume Distribution (FAD).....	10-4
Turn Loudness On/OFF (LD).....	10-4
Restore Sound Settings.....	10-4
<b>Radio Operation</b>	
Station Name.....	15-1
Start Radio Mode.....	15-1
Turn RDS Comfort Functions On/Off.....	15-1
Select Wave Band/Memory Level.....	15-1
Tune into a Station.....	15-2
Store Station.....	15-2
Call Up Stored Stations.....	15-2
Scan Stored Stations (PRSTSCAN).....	15-3
Scan Receivable Stations (BANDSCAN).....	15-3
Program Type (PTY).....	15-3
Treble Reduction During Interference (HCUT).....	15-4
Set Key Function (KEY PRG).....	15-4
<b>Traffic Information (Europe only)</b>	
Traffic Information (Europe only).....	20-1
<b>External Audio Sources</b>	
External Audio Sources.....	25-1

<b>CD Operation (Deluxe Radio with CD and Premium Radio only)</b>	
Use of CDs (General Information).....	30-1
Start CD Mode.....	30-1
Eject CD.....	30-1
Operate CD Player (Playback Function).....	30-2

<b>MP3 Operation (Premium Radio only)</b>	
MP3 Operation (General Information).....	35-1
Compile MP3 CD.....	35-1
Compile USB Data Carrier.....	35-2
ID3 Tags.....	35-2
Start MP3 Mode from CD.....	35-2
Connect USB Data Carrier and Start MP3 Mode.....	35-2
Turn Track Information Display as Scrolling Text On/Off (SCRL).....	35-2
Playback of MP3 or WMA Files.....	35-3

<b>Bluetooth® Operation (Premium Radio only)</b>	
Bluetooth® Operation, General Information.....	40-1
Set Up Bluetooth®.....	40-1
Turn Bluetooth® On/Off (BT MODE).....	40-1
Select Connection Type (CON-TYPE) and Pair Devices (BT-PAIR).....	40-2
Select Paired Bluetooth® Device for Connection (BT-JOIN).....	40-2
Transfer and Research Phone Data (Data Transfer).....	40-2
Receive and Place Calls.....	40-3
Playback Audio Files (BT AUDIO).....	40-3

<b>XM Satellite Reception (Premium Radio for North America only)</b>	
XM Radio Mode.....	45-1
Start XM Radio Mode.....	45-1
Select XM Band (Memory Level).....	45-1
Select XM Channels.....	45-1
Store XM Channels.....	45-1
Call Up Stored XM Channels.....	45-1
Turn Program Type (Category) On/Off (CAT).....	45-1
Select Program Type (Category).....	45-2
Set Key Function (KEY PRG).....	45-2
Display XM Serial Number.....	45-2
System Information.....	45-2

Fortsetz. siehe nächste Seite

*Originalanleitung. Alle Informationen, Abbildungen und technischen Angaben in dieser Publikation entsprechen dem neuesten Stand zum Zeitpunkt der Veröffentlichung. Konstruktionsänderungen jederzeit und ohne Bekanntgabe vorbehalten.*

COPYRIGHT © 2012  
DEERE & COMPANY  
European Office Mannheim  
All rights reserved.  
A John Deere ILLUSTRATION © Manual

Seite

**Specifications**

Specifications .....50-1  
Product Identification Number .....50-1

PROOF  
PROOF

# Identification Views and Features

## Identification Views



LX1054590

*Deluxe Radio System*



LX1054595

*Deluxe Radio System with CD*



LX1054592

*Premium Radio System*



LX1054587

*Premium Radio System for North America*

Main features:	Radio	Connection of external devices	CD	CD, MP3/WMA	USB	Bluetooth®	Sat Radio
Deluxe Radio System	X	X					
Deluxe Radio System with CD	X	X	X	X			
Premium Radio System	X	X	X	X	X	X	
Premium Radio System for North America	X	X	X	X	X	X	X

OULXBER,0001B7C -29-13JAN12-1/1

LX1054590 —UN—25AUG11

LX1054595 —UN—25AUG11

LX1054592 —UN—25AUG11

LX1054587 —UN—15SEP11

# Safety and General Information

## Important Notes

**Operator's Manual:** Read this Operator's Manual carefully and familiarize yourself with the radio before operating the radio. Keep this Operator's Manual in the vehicle for later reference.

**Installation note:** Radios with CAN connection are linked with the on-board electronics of the vehicle in which they

are installed. Such a radio must be enabled by a John Deere dealer before it can be used in another vehicle. Otherwise, it will not operate.

**Radio frequencies (tuner band):** When a radio is field-installed, the dealer must ensure that the receiver is matched to the regionally receivable frequency band. Otherwise some radio stations and services cannot be received.

OULXBER,0001B7D -29-13JAN12-1/1

## Intended Use

The Radio is designed for operation in a utility vehicle with a 12-volt on-board system voltage and installation in a 1-DIN slot.

OULXBER,0001B7E -29-13JAN12-1/1

## Road Safety

**⚠ ACHTUNG:** Road safety has top priority. Operate the radio system only if traffic condition and driving situation allow you to do so. Familiarize yourself with the radio before driving the vehicle. Select an appropriate volume when driving.

**⚠ ACHTUNG:** Do not become distracted by the radio when working. Turn the radio off when procedures require full attention.

**⚠ ACHTUNG:** Adjust the volume of the radio correctly to be able to hear acoustic warning signals of police fire department and ambulance on time.

**⚠ ACHTUNG:** It may result in hearing damage if the radio volume is set too loud.

OULXBER,0001B7F -29-13JAN12-1/1

## Disposal

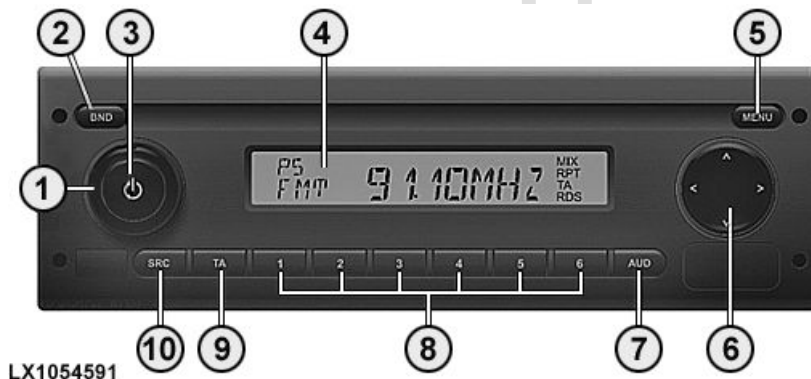
Do not dispose of your old radio system in the household trash!

Use the return and collection systems available to dispose of the old radio system.

OULXBER,0001B80 -29-13JAN12-1/1

# General Operation

## Controls - Deluxe Radio System

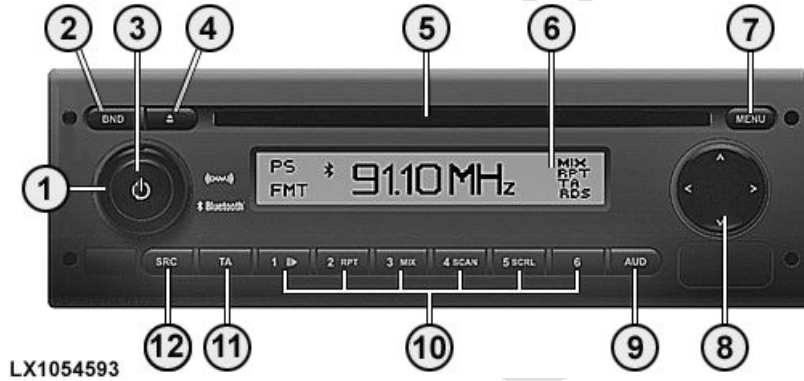


Item	Designation	Function
1	Volume control	
2	BND	Press briefly to select memory level or wave band.
3	On/off key	Press and hold to start the Travelstore function. Press briefly to turn the radio on. Press briefly during operation to mute the radio. Press and hold to turn the radio off.
4	Display	Change the display.
5	Menu	Access the menus for the basic settings.
6	Multi-function rocker switch	Navigate within the display and switch functions.
7	AUD key	Press briefly to access the audio menu for adjustment of bass, middle, treble, balance and loudness. Press and hold to restore factory sound settings (treble and bass for the currently used audio source only).
8	1 - 6 key block	Station keys
9	TA key	Switch back from user and audio menus to current source. Exit the radio scan functions. Turn the priority for traffic announcements on/off. Cancel a traffic announcement while in process (Europe only).
10	SRC key	Source selection between radio and AUX

OULXBER,0001B81 -29-13JAN12-1/1

LX1054591 —UN—25AUG11

## Controls - Deluxe Radio System with CD and Premium Radio Systems



LX1054593

LX1054593—JN—25AUG11

Item	Designation	Function
1	Volume control	
2	BND	Press briefly to select memory level or wave band.
3	On/off key	Press and hold to start the Travelstore function. Press briefly to turn the radio on. Press briefly during operation to mute the radio. Press and hold to turn the radio off.
4	CD eject key	
5	CD slot	
6	Display	Change the display.
7	Menu	Access the menus for the basic settings.
8	Multi-function rocker switch	Navigate within the display and switch functions.
9	AUD key	Press briefly to access the audio menu for adjustment of bass, middle, treble, balance and loudness. Press and hold to restore factory sound settings (treble and bass for the currently used audio source only).
10	1 - 6 key block	Station keys
11	TA key	Switch back from user and audio menus to current source. Exit the radio scan functions. Turn the priority for traffic announcements on/off. Cancel a traffic announcement while in process (Europe only).
12	SRC key	Source selection between radio and AUX (depending on model also CD, USB and XM) provided that a medium is inserted or connected and turned on.

OULXBER,0001B82 -29-13JAN12-1/1

### Turn Radio On/Off

There are several possibilities to turn the radio on or off.

#### Turn on/off using the on/off key

Turn on .....	Press the on/off key
Turn off .....	Press and hold the on/off key for more than 2 seconds

#### Turn on/off using the ignition

Turn on (ignition on) .....	The radio is turned off automatically when the ignition is turned off. In this case, the radio is also turned on automatically when the ignition is turned on again.
Turn off (ignition off) .....	

*HINWEIS: The radio can be turned on using the on/off key even when the ignition is off. The radio*

*is then turned off automatically after a preset time to preserve the vehicle battery (see Adjust Turn-Off Time in this section).*

#### Adjust Turn-Off Time (HOUR)

1. Press the **MENU** key to open the menu.
2. Press the **MENU** key several times until **HOUR** and the current time setting is displayed.
3. Turn the volume control counterclockwise or clockwise to adjust the turn-off time from 1 to 60 minutes.
4. Press the **MENU** key several times to exit the menu.

OULXBER,0001B83 -29-13JAN12-1/1



### Adjust Brightness of Radio Illumination (ILLUM)

On many radios the brightness of the illumination is automatically adjusted according to the instrument lighting. The brightness can also be adjusted manually in the ILLUM menu. Proceed as follows:

1. Press the **MENU** key to open the menu.

2. Press the **MENU** key several times until **ILLUM** and the current setting is displayed.
3. Turn the volume control counterclockwise or clockwise to adjust the brightness from -5 (min.) to +5 (max.).
4. Press the **MENU** key several times to exit the menu.

*HINWEIS: Only with automatic adjustment of brightness: This manually adjusted value will be reset each time the ignition is turned off and on again. Manual adjustment will then need to be done again.*

OULXBER,0001B84 -29-13JAN12-1/1

### Adjust Volume

The volume can be gradually adjusted from 0 (off) to 32 (max.).

#### Adjust Volume

- |                    |  |
|--------------------|--|
| Raise volume ..... | Turn the volume control clockwise        |
| Lower volume ..... | Turn the volume control counterclockwise |

OULXBER,0001B85 -29-13JAN12-1/1

### Mute Radio (MUTE)

Briefly pressing the on/off key (3) will mute the radio. The audio output is then fully inhibited. Pressing the on/off key again will return the audio output to the last volume setting.

#### Mute Radio

- |   |  |
|---|--|
| Activate mute function (audio off) .....  | Briefly press the on/off key   |
| Deactivate mute function (audio on) ..... | Briefly press the on/off key again or turn the volume control either counterclockwise or clockwise |

OULXBER,0001B86 -29-13JAN12-1/1

### Turn Confirmation Beep On/Off (BEEP)

After certain actions (e.g. pressing and holding a key) a confirmation beep sounds. This confirmation beep can be turned off.

1. Press the **MENU** key to open the menu.

2. Press the **MENU** key several times until **BEEP** and the current setting **ON** or **OFF** is displayed.
3. Turn the volume control counterclockwise or clockwise to change from ON to OFF or vice versa.
4. Press the **MENU** key several times to exit the menu.

OULXBER,0001B87 -29-13JAN12-1/1

### Adjust Maximum Volume at Power-On (ONVOL)

The maximum volume when turning on the radio system can be adjusted in the **ONVOL** menu. Basically, the last selected volume is used at power-on unless it is above the setting for the maximum volume at power-on. In this case, the maximum volume setting is used.

*HINWEIS: The maximum volume at power-on can be adjusted from 5 to 25.*

1. Press the **MENU** key to open the menu.
2. Press the **MENU** key several times until **ONVOL** and the current setting is displayed.
3. Turn the volume control counterclockwise or clockwise to adjust the maximum volume at power-on from 5 to 25.
4. Press the **MENU** key several times to exit the menu.

OULXBER,0001B88 -29-13JAN12-1/1

## Adjust Sound

### Adjust bass (BASS) and treble (TREB)

1. Press the **AUD** key to open the menu for the sound settings.
2. Press the **AUD** key several times until **BASS** or **TREB** and the current setting is displayed.
3. Turn the volume control counterclockwise or clockwise to adjust the value from +7 to -7.
4. Press the **AUD** key several times to exit the menu.

### Adjust middle (MID)

1. Press the **AUD** key to open the menu for the sound settings.
2. Press the **AUD** key several times until **MID** and the current setting is displayed.
3. Turn the volume control counterclockwise or clockwise to adjust the value from +7 to -7.
4. Press the **AUD** key several times to exit the menu.

OULXBER,0001B89 -29-13JAN12-1/1

### Adjust Left/Right Volume Distribution (BAL)

1. Press the **AUD** key to open the menu for the sound settings.

2. Press the **AUD** key several times until **BAL** and the current setting is displayed.
3. Turn the volume control counterclockwise or clockwise to adjust the value from +10 to -10.
4. Press the **AUD** key several times to exit the menu.

OULXBER,0001B8A -29-13JAN12-1/1

### Adjust Front/Rear Volume Distribution (FAD)

This adjustment is only useful if the vehicle is equipped with front and rear speakers.

1. Press the **AUD** key to open the menu for the sound settings.

2. Press the **AUD** key several times until **FAD** and the current setting is displayed.
3. Turn the volume control counterclockwise or clockwise to adjust the value from +10 to -10.
4. Press the **AUD** key several times to exit the menu.

OULXBER,0001B8B -29-13JAN12-1/1

### Turn Loudness On/OFF (LD)

Activating loudness improves the sound. The ratio of low to high tones is changed to obtain an equalized sound even at low volume settings. It is not recommended to turn loudness on at high volume settings.

1. Press the **AUD** key to open the menu for the sound settings.
2. Press the **AUD** key several times until **LD** and the current setting **ON** or **OFF** is displayed.
3. Turn the volume control counterclockwise or clockwise to change from ON to OFF or vice versa.
4. Press the **AUD** key several times to exit the menu.

OULXBER,0001B8C -29-13JAN12-1/1

### Restore Sound Settings

All sound settings can be restored to the factory settings.

1. Press the **AUD** key to open the menu for the sound settings.
2. Press the **AUD** key several times until **RESET N** is displayed.

3. Turn the volume control clockwise to select **RESET Y**. After approx. 2 seconds all sound settings are reset.
4. Press the **AUD** key several times to exit the menu.

*HINWEIS: Press and hold the **AUD** key for more than 2 seconds to reset the audio settings only for the audio source currently used.*

OULXBER,0001B8D -29-13JAN12-1/1

# Radio Operation

## Station Name

This radio system is equipped with an RDS radio receiver. Many FM stations send a signal that not only contains the

program but also other information such as station name and program type (PTY).

The station name is displayed, if receivable.

OULXBER,0001B8E -29-13JAN12-1/1

## Start Radio Mode

If the radio system is currently in a different mode:

- Press the **BND** key once or press the **SRC** key several times until **RADIO** is displayed.

The current frequency or station name is displayed.

OULXBER,0001B8F -29-13JAN12-1/1

## Turn RDS Comfort Functions On/Off

The RDS comfort functions extend the performance range of the radio system.

- **AF** (alternative frequency): When the RDS comfort function is activated, the radio system searches in the background for the best receivable frequency of the selected station.
- **REG** (region): At certain times, some radio stations divide their program into regional programs with different content. When the REG function is activated, the radio system will not switch to alternative frequencies that are transmitting a different program content.

*HINWEIS: RDS (AF) is turned on as factory setting. REG must be turned on and off separately via the menu. REG can be turned on only when RDS is turned on.*

### Turn RDS (AF) on or off

1. Select the radio mode (FM frequency band).
2. Press the **MENU** key to open the menu.
3. Press the **MENU** key several times until **RDS** and the current setting **ON** or **OFF** is displayed.
4. Turn the volume control counterclockwise or clockwise to change from ON to OFF or vice versa.
5. Press the **MENU** key several times to exit the menu.

### Turn REG on or off

1. Select the radio mode (FM frequency band).
2. Press the **MENU** key to open the menu.
3. Press the **MENU** key several times until **REG** and the current setting **ON** or **OFF** is displayed.
4. Turn the volume control counterclockwise or clockwise to change from ON to OFF or vice versa.
5. Press the **MENU** key several times to exit the menu.

*HINWEIS: When the RDS comfort functions are activated, RDS is displayed*

OULXBER,0001B90 -29-13JAN12-1/1

## Select Wave Band/Memory Level

Programs of different frequency bands can be received with this radio system (see table).

Three memory levels (FM1, FM2 and FMT) are available for the FM wave band and one memory level each for the WX, AM, MW and LW wave bands. Additionally, the AMT, MWT and LWT memory level is available. Six stations each can be stored in each memory level. Press the **BND** key to switch between the wave bands or memory levels.

Region:	Wave bands:				
	FM	AM	WX	MW	LW
NAFTA countries	X	X	X		
Europe	X			X	X
Other Regions	X	X			
Memory levels:	FM1, FM2, FMT	AM, AMT	WX	MW, MWT	LW, LWT

OULXBER,0001B91 -29-13JAN12-1/1

## Tune into a Station

There are two possible ways to tune into a station:

- Automatic seek
- Manual seek

### Automatic seek

Press the ◀ or ▶ key to search down or up the frequency band for the next receivable station.

When PTY is turned on, the next station of the selected program type is tuned into.

*HINWEIS: Automatic seek is only available if AUTOSEEK is selected for the ◀ and ▶ keys in the KEY PRG menu (see Set Key Function in this section).*

### Set sensitivity of seek function (SENS)

1. Select the radio mode.

2. Press the **MENU** key to open the menu.
3. Press the **MENU** key several times until **SENS** and the current setting **LO** (low sensitivity) or **DX** (high sensitivity) is displayed.
4. Turn the volume control counterclockwise or clockwise to change from LO to DX or vice versa.
5. Press the **MENU** key several times to exit the menu.

### Manual seek

Briefly press the ◀ or ▶ key to change the frequency in small increments.

Press and hold the ◀ or ▶ key to change the frequency quickly in large increments.

*HINWEIS: Changing the frequency in increments is only available if MANSEEK is selected for the ◀ and ▶ keys in the KEY PRG menu (see Set Key Function in this section).*

OULXBER,0001B92 -29-13JAN12-1/1

## Store Station

Region:	Wave bands:				
	FM	AM	WX	MW	LW
NAFTA countries	X	X	X		
Europe	X			X	X
Other Regions	X	X			
Memory levels:	FM1, FM2, FMT	AM, AMT	WX	MW, MWT	LW, LWT

### Manual storing

1. Select the desired memory level or wave band.
2. Tune into the desired station.
3. Select one of station keys 1 - 6 for storing the station, then press and hold this key for more than 2 seconds.
4. A confirmation beep sounds as soon as the station is stored on the selected station key. The storage location (e.g. P3) of the station is displayed as long as this station is selected.

### Automatic storing (T-STORE)

The strongest 6 stations of the region can be stored automatically. For the FM wave band FMT memory level is used for storing and for the AM wave band AMT memory level (additionally MWT and LWT for Europe).

*HINWEIS: Stations already stored on this level are replaced by newly found stations.*

*If PTY is turned on, only stations with the currently selected program type are stored.*

1. Select the desired wave band.
2. Press and hold the **BND** key for more than 2 seconds.
3. Storing starts and **T-STORE** is displayed. After the process is completed, memory locations 1 - 6 are assigned to the stations. This storing is valid only on the memory level on which the storing was performed (FMT or AMT).

OULXBER,0001B93 -29-13JAN12-1/1

## Call Up Stored Stations

1. Select memory level or wave band.

2. Press station key 1 - 6 to call up one of the stored stations.

OULXBER,0001B94 -29-13JAN12-1/1

## Scan Stored Stations (PRSTSCAN)

With this function, one after the other, all stored stations of the current memory level are played for approx. 5 seconds, each.

*HINWEIS: This function is only available if PRSTSCAN is selected for the ◀ and ▶ keys in the KEY PRG menu (see Set Key Function in this section).*

### Start scanning

1. Press the ◀ or the ▶ key.

2. **PRSTSCAN** is briefly displayed. Each stored station of the current memory level is played for approx. 5 seconds. At the same time, the selected frequency or station name is displayed.

### Stop scanning

1. Press the ◀ or the ▶ key.
2. Scanning stops and the last station played remains on.

OULXBER,0001B95 -29-13JAN12-1/1

## Scan Receivable Stations (BANDSCAN)

*HINWEIS: This function is only available if BANDSCAN is selected for the ◀ and ▶ keys in the KEY PRG menu (see Set Key Function in this section).*

### Start scanning

1. Press the ◀ or the ▶ key.
2. **BANDSCAN** is briefly displayed. The current wave band is searched for receivable stations. Each station

found is played for approx. 5 seconds. At the same time, the selected frequency or station name is displayed.

### Stop scanning

1. Press the ◀ or the ▶ key.
2. Scanning stops and the last station played remains on.

OULXBER,0001B96 -29-13JAN12-1/1

## Program Type (PTY)

Besides the station name, some FM stations also transmit information on the program type. Such program types can be, for example:

- CULTURE
- TRAVEL
- WEATHER
- JAZZ MUSIC
- NEWS
- POP MUSIC

With this function only stations of a specific program type can be selected.

When PTY is turned on and a PTY scan has been started, the radio automatically changes from the current station or from another mode to the station of the selected program type.

### Turn PTY on/off

1. Select the radio mode.
2. Press the **MENU** key to open the menu.
3. Press the **MENU** key several times until **PTY ON** or **PTY OFF** is displayed.
4. Turn the volume control counterclockwise or clockwise to change from **PTY OFF** to **PTY ON** or vice versa.

5. Press the **MENU** key several times to exit the menu.

### Select program type

*HINWEIS: PTY must be turned on.*

1. Select the radio mode.
2. Press the **MENU** key to open the menu.
3. Press the **MENU** key several times until **PTYTYPE** is displayed.
4. Turn the volume control counterclockwise or clockwise to select a program type.
5. Press the **MENU** key several times to exit the menu.

### Start PTY scan

*HINWEIS: The PTY scan is only available if PTY is turned on and AUTOSEEK or BANDSCAN is selected for the ◀ and ▶ keys in the KEY PRG menu (see Set Key Function in this section).*

1. Press the ◀ or the ▶ key to start scanning.
2. If a station of the currently selected program type is found, it will be tuned into.
3. If no station of this program type is found, the previously selected station remains on.

OULXBER,0001B97 -29-13JAN12-1/1

### Treble Reduction During Interference (HCUT)

The HCUT function improves the sound when radio reception is poor. If interference with reception is present, the level of the interference noise is automatically reduced.

1. Select the radio mode.

2. Press the **MENU** key to open the menu.
3. Press the **MENU** key several times until **HCUT**, the current setting **OFF**, **1** or **2** is displayed.
4. Turn the volume control counterclockwise or clockwise to adjust or turn off HCUT.
5. Press the **MENU** key several times to exit the menu.

OULXBER,0001B98 -29-13JAN12-1/1

### Set Key Function (KEY PRG)

A function can be assigned to the ◀ and ▶ keys.

Possible key functions	Description
AUTOSEEK	Automatic search for the next receivable station
MANSEEK	Manual frequency change in increments
PRSTSCAN	Scanning of stations stored on the currently selected memory level
BANDSCAN	Scanning of stations receivable in the currently selected wave band

#### Set key function

1. Select the radio mode.
2. Press the **MENU** key to open the menu.
3. Press the **MENU** key several times until **KEY PRG** is displayed.
4. Turn the volume control counterclockwise or clockwise to change between the different settings (see table).
5. Press the **MENU** key several times to exit the menu.

OULXBER,0001B99 -29-13JAN12-1/1

# Traffic Information (Europe only)

## Traffic Information (Europe only)

*HINWEIS: The traffic information functions are not available in NAFTA countries.*

*This function is not available on the Premium Radio for North America.*

*This function is available in the CD and AUX modes only if the FM wave band is selected in radio mode.*

### Turn traffic information priority on/off

Press the **TA** key to turn the traffic information priority on or off for all modes.

The traffic information priority is activated if TA or TP is displayed. When a traffic announcement is received, the CD and other outputs are interrupted and the radio system switches to the traffic announcement. TRAFFIC is displayed for the duration of the announcement.

- An acoustic alarm sounds regardless of the playback source when leaving the transmission range of the station broadcasting traffic information and the automatic scan does not find an alternative station with traffic information.

- An acoustic alarm also sounds when changing from a station with traffic information to a station without traffic information.

In both cases, either turn the traffic information priority off or tune into a station that broadcasts traffic announcements.

### Set volume increase for traffic announcements

Based on the currently selected volume, the volume for traffic announcements can be increased.

1. Select the radio mode (FM frequency band).
2. Press the **MENU** key to open the menu.
3. Press the **MENU** key several times until **TA DIFF** and the current setting is displayed.
4. Turn the volume control counterclockwise or clockwise to adjust the value from DIFF 0 to DIFF 10. The numbers represent the volume increase in relation to the selected volume.
5. Press the **MENU** key several times to exit the menu.

*HINWEIS: While a traffic announcement is broadcast, the volume can be adjusted for the duration of the announcement using the volume control.*

### Cancel traffic announcements

Press the **TA** key to cancel an ongoing traffic announcement and return to the previous output source. The traffic information priority remains on.

OULXBER.0001B9A -29-13JAN12-1/1

P  
R  
O  
O  
F

# External Audio Sources

## External Audio Sources

Different external audio sources can be connected using the AUX1REAR input at the rear of the radio system. For example: Portable CD player, MiniDisc player or MP3 player.

### Activate AUX input

- Connect the external audio source and press the **SRC** key several times until **AUX1REAR** is displayed.

*HINWEIS: The external audio source can only be selected if an audio device is connected to the external AUX input.*

### Adjust AUX input volume

The volume for the connected external audio source can be adjusted to the volume in radio mode.

*HINWEIS: The AUX input volume can only be adjusted after this input has been selected as audio source using the SRC key.*

1. Press the **SRC** key several times until the desired audio source is displayed.
2. Press the **MENU** key. **GAIN** and current setting is displayed.
3. Turn the volume control counterclockwise or clockwise to adjust the volume from -9 to +9, with 0 corresponding to the selected volume in radio mode.
4. Press the **MENU** key several times to exit the menu.

OULXBER,0001B9B -29-13JAN12-1/1



## CD Operation (Deluxe Radio with CD and Premium Radio only)

### Use of CDs (General Information)

With this radio system standard audio CDs, CD-Rs and CD-RWs with a diameter of 12 cm (4.7 in.) can be played. When burning your own CDs, make sure they are not burned with a speed above 16x, otherwise playback problems may occur.

Only use CDs with the Compact Disc Logo to ensure proper operation. Playback problems may result from CDs with copy protection. Proper operation of CDs with copy protection cannot be guaranteed!

The CD player can playback tracks from a playlist if such files (playlists) are stored in the root directory of the music CD. For details on compiling playlists, refer to the description of the CD burner software.

**WICHTIG: Risk of damage to the CD drive! CD singles with a diameter of 8 cm (3 in.) and contoured CDs (shape CDs) must not be used.**

**Handle CDs carefully and avoid any damage to the CDs. Touch CDs only at the edge, if possible.**

**If necessary, clean CDs with a lint-free cloth; do not use any solvent. Always wipe CDs towards the outside.**

**Do not expose CDs to direct sun light and keep them in suitable protective covers.**

**Do not put stickers on the CDs. It is better to label them with a suitable, commercially available pen.**

**We will not assume liability for damage to the CD drive caused by unsuitable or damaged CDs.**

OULXBER,0001B9C -29-13JAN12-1/1

### Start CD Mode

**If no CD has been inserted yet:**

1. Without using any force, insert the CD into the CD slot with the printed side up. Stop pushing at the first resistance and wait for the CD to be drawn automatically. **CD** is displayed.
2. CD playback starts. The number of the current track (e.g. T12) and the playing time are displayed.

**WICHTIG: Do not hinder or assist the CD while it is drawn.**

*HINWEIS: If the radio system is off and a CD is inserted, it will be drawn automatically but playback will not start.*

**If a CD has already been inserted:**

1. Press the **SRC** key several times until **CD** is displayed.
2. The playback will start at the point at which it was interrupted. If no CD is inserted, **CD** is displayed briefly and then **NO CD** is displayed.

OULXBER,0001B9D -29-13JAN12-1/1

### Eject CD

*HINWEIS: A CD can be ejected even when the radio system is turned off or during the playback from another audio source.*

Press the **CD eject key** to eject the CD. When the CD is ejected, **CD EJECT** is briefly displayed. After the CD has been removed, **CD EJECT** is no longer displayed.

**WICHTIG: Do not hinder or assist the CD while it is ejected.**

*HINWEIS: If the CD is not removed after ejection, it will be automatically drawn again after approx. 10 seconds.*

OULXBER,0001B9E -29-13JAN12-1/1

## Operate CD Player (Playback Function)

Display elapsed or remaining playing time .....	Press the <b>6</b> key in the key block to change between the display of the elapsed (ELAPSED) and the remaining (REMAIN) playing time of the current track.
Select track .....	Press the <b>▶</b> key or the <b>◀</b> key to select the next or the previous track. If the current track is already playing for more than 10 seconds, it will be restarted when the <b>◀</b> key is pressed once.
Quick scan (audible) .....	Press the <b>◀</b> key or the <b>▶</b> key to start scanning up or down. Release the key when the desired point is found.
Random playback (MIX) .....	Press the <b>3</b> key in the key block. <b>MIX ALL</b> is briefly displayed, then <b>MIX</b> is displayed. The following tracks are selected at random.
Stop MIX .....	Press the <b>3</b> key in the key block again. <b>MIX OFF</b> is briefly displayed, then <b>MIX</b> is no longer displayed. Playback will continue normally.
Scan tracks (SCAN) .....	Press the <b>4</b> key in the key block to play all tracks for approx. 10 seconds, each. <b>SCAN TRK</b> is briefly displayed.
Stop scan, continue playing track .....	Press the <b>4</b> key in the key block again to stop the scanning process. <b>SCAN OFF</b> is briefly displayed. Playing of the current track continues.
Repeat track (RPT) .....	Press the <b>2</b> key in the key block. <b>RPT TRK</b> is briefly displayed, then <b>RPT</b> is displayed. The current track is repeated until <b>RPT</b> is deactivated.
Stop RPT .....	Press the <b>2</b> key in the key block again. <b>RPT OFF</b> is briefly displayed, then <b>RPT</b> is no longer displayed. Playback will continue normally.
Playback tracks from playlist .....	If a playlist has been compiled and saved in the root directory, it can be played in the PLST mode. Press and hold the <b>TA</b> key until <b>PLST ON</b> is displayed. Playback of the first track of the playlist is started after 2 seconds. If several playlist are available (all in the root directory), select the desired playlist using the arrow keys <b>▲</b> and <b>▼</b> . If no playlists are stored on the data carrier, <b>NO PLST</b> is displayed when the <b>TA</b> key is pressed and held.  While in PLST mode, it is not possible to access other directories. The PLST mode must be turned off to change directories. Press and hold the <b>TA</b> key until <b>PLST OFF</b> is displayed. Playback of the first track of the first directory is started after 2 seconds.
Pause playback (PAUSE) .....	Press the <b>1</b> key in the key block. <b>PAUSE</b> is displayed.
Cancel pause .....	Press the <b>1</b> key in the key block again. Playback will continue.

OULXBER,0001B9F -29-13JAN12-1/1

# MP3 Operation (Premium Radio only)

## MP3 Operation (General Information)

With this radio system CD-Rs and CD-RWs with MP3 and WMA music files can be played back. This section only describes the playback of MP3 files since operation is the same for MP3 and WMA files. MP3 data carrier always refers to CD-R/RW.

WMA files with Digital Rights Management (DRM) from online music shops cannot be played back with this radio system.

WMA files can only be played back safely if created with Windows Media Player™, version 8 or later.

OULXBER,0001BA0 -29-13JAN12-1/1

## Compile MP3 CD

If problems occur with self-made CDs, use blank CDs of a different manufacturers or of a different color.

The CD format must be ISO 9660 Level 1 or Level 2, or Joliet. All other formats cannot be played back reliably.

When converting (encoding) MP3/WMA files from the audio files, use bit rates of 32 to 320 kbps for MP3 files and 32 to 192 kbps for WMA files.

This radio system supports up to 252 directories and up to 255 files per directory. All in all, the CD must not contain more than 512 directories and files. The directories and tracks on the CD can be selected individually.

*HINWEIS: If more than 16 characters (including file extension .mp3 or .wma) are used for file names, the maximum number of tracks and directories is reduced.*

### Example for the layout of the structure of a CD:

Each directory can be named with the PC. The directory name can be displayed on the radio system. Name the directories and tracks/files as described in the software of the CD burner.

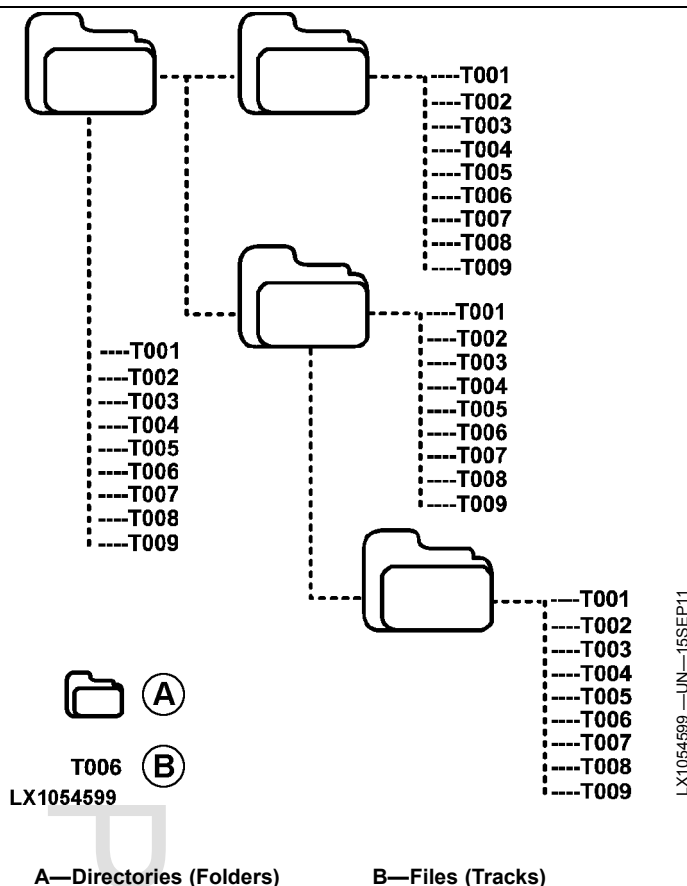
*HINWEIS: Do not use umlauts or special characters when naming the files (directories and tracks).*

*If more than 16 characters (including file extension .mp3 or .wma) are used for file names, the maximum number of tracks and directories is reduced.*

Save the files onto the data carrier in the desired playback order. The radio system will play back the files in the same order as they are physically saved on the data carrier.

This radio system will only playback MP3 files with file extension .mp3 and WMA files with file extension .wma.

- If files other than MP3 files are given the file extension .mp3, the files become invalid and will not be played back.



- If CDs containing non-MP3 tracks as well as MP3 tracks are used the radio system will only playback MP3 files.
- If mix mode CDs containing CD audio tracks and MP3 tracks are used the radio system will only playback CD audio tracks.

OULXBER,0001BA1 -29-13JAN12-1/1

## Compile USB Data Carrier

For the radio system to recognize a USB data carrier, it must be specified as mass storage device and formatted in the FAT16 or FAT32 file system. The audio files must be saved in MP3 or WMA format.

A maximum of 5000 tracks (without ID3 tags) can be stored and used on a USB data carrier. The directories

and tracks can be selected and played back individually. If audio files with ID3 tags are used, the maximum number of usable tracks is reduced.

It cannot be guaranteed that all USB data carriers available on the market work properly.

OULXBER,0001BA2 -29-13JAN12-1/1

## ID3 Tags

Audio files may contain additional information such as artist, track name, album name (ID3 tags). This radio system can display version 1 and version 2 ID3 tags.

OULXBER,0001BA3 -29-13JAN12-1/1

## Start MP3 Mode from CD

The MP3 CD mode is started automatically when an MP3 CD is inserted. See also the description under Start CD Mode.

The number of the current track (e.g. T12), the playing time and the track information (ID3 tags) or the file name are displayed. When changing directories, the directory name is briefly displayed.

OULXBER,0001BA4 -29-13JAN12-1/1

## Connect USB Data Carrier and Start MP3 Mode

To be able to connect a USB data carrier (e.g. USB stick or USB drive), the USB cable must be connected to the external USB port (see also the Operator's Manual of the vehicle).

**⚠ ACHTUNG:** By design, some USB data carriers are not suitable for direct connection to the USB port. To prevent personal injury, USB data carriers should only be used with an additional connection cable.

Connect the USB data carrier to the USB cable. As soon as connected, USB data carrier can be selected by pressing the **SRC 12** key. **USB** is then displayed.

### Display elapsed or remaining playing time

Press the **6** key in the key block to change between the display of the elapsed (ELAPSED) and the remaining (REMAIN) playing time of the current track.

### Track information display (ID3 Tags)

If the audio files contains ID3 tags, the relevant information is displayed once as scrolling text at the beginning of each track. If the audio file does not contain ID3 tags, only the file name is displayed.

*HINWEIS:* See also the relevant description of the PC MP3 software or the burner software to create ID3 tags.

Press the **5** key to display the track information once as scrolling text. The ID3 tags of the current track are displayed once as scrolling text.

*HINWEIS:* This function is not available if the track information display as scrolling text is turned off. See Turn Track Information Display as Scrolling Text On/Off (SCRL).

OULXBER,0001BA5 -29-13JAN12-1/1

## Turn Track Information Display as Scrolling Text On/Off (SCRL)

1. Select the CD or MP3/WMA mode.
2. Press the **MENU** key to open the menu.
3. Press the **MENU** key several times until **SCRL** and the current setting **OFF** or **ON** is displayed.

4. Turn the volume control counterclockwise or clockwise to turn the scrolling text with track information on or off.
5. Press the **MENU** key several times to exit the menu.
6. If **SCRL OFF** is selected, the track information is displayed in sections of 8 characters each. Alternately, each text section as well as the track number and the playing time are displayed for 5 seconds each.

OULXBER,0001BA6 -29-13JAN12-1/1

## Playback of MP3 or WMA Files

Select directory .....	Press the ▲ key or the ▼ key to change up or down to a different directory. This way, sub-directories can also be accessed. Directories of the data carrier that do not contain valid audio files are skipped.
Select track .....	Press the ► key or the ◀ key to select the next or the previous track. If the current track is already playing for more than 10 seconds, it will be restarted when the ◀ key is pressed once.
Quick scan (audible) .....	Press the ◀ key or the ► key to start scanning up or down. Release the key when the desired point is found.
Random playback (MIX ALL) (all tracks on the data carrier) .....	Press the 3 key in the key block several times until <b>MIX ALL</b> is displayed. <b>MIX</b> is displayed and all tracks of the <b>MP3 data carrier</b> are played back in random order.
Random playback (MIX DIR) (all tracks of the directory or folder) .....	Press the 3 key in the key block several times until <b>MIX DIR</b> is displayed. <b>MIX</b> is displayed and all tracks of the <b>MP3 directory</b> are played back in random order.
Stop MIX .....	Press the 3 key in the key block again. <b>MIX OFF</b> is briefly displayed, then <b>MIX</b> is no longer displayed. Playback will continue normally.
Scan tracks (SCAN TRK) (all tracks on the data carrier) .....	Play all tracks of the MP3 data carrier in ascending order for approx. 10 seconds each: Press the 4 key in the key block several times until <b>SCAN TRK</b> is displayed.
Scan tracks (SCAN FLD) (all tracks of the directory or folder) .....	Play all tracks of the MP3 directory in ascending order for approx. 10 seconds each: Press the 4 key in the key block several times until <b>SCAN FLD</b> is displayed.
Stop scan, continue playing track .....	Press the 4 key in the key block again to stop the scanning process. <b>SCAN OFF</b> is briefly displayed. Playing of the current track continues.
Repeat track (RPT TRK) .....	Press the 2 key in the key block. <b>RPT TRK</b> is briefly displayed, then <b>RPT</b> is displayed. The current track is repeated until <b>RPT</b> is deactivated.
Repeat directory (RPT DIR) .....	Press the 2 key in the key block. <b>RPT DIR</b> is briefly displayed, then <b>RPT</b> is displayed. The current directory is repeated until <b>RPT</b> is deactivated.
Stop RPT .....	Press the 2 key in the key block again. <b>RPT OFF</b> is briefly displayed, then <b>RPT</b> is no longer displayed. Playback will continue normally.
Playback tracks from playlist .....	<p>If a playlist has been compiled and saved in the root directory, it can be played in the PLST mode.</p> <p>Press and hold the <b>TA</b> key until <b>PLST ON</b> is displayed. Playback of the first track of the playlist is started after 2 seconds.</p> <p>If several playlist are available (all in the root directory), select the desired playlist using the arrow keys ▲ and ▼.</p> <p>If no playlists are stored on the data carrier, <b>NO PLST</b> is displayed when the <b>TA</b> key is pressed and held.</p> <p>While in PLST mode, it is not possible to access other directories. The PLST mode must be turned off to change directories.</p> <p>Press and hold the <b>TA</b> key until <b>PLST OFF</b> is displayed. Playback of the first track of the first directory is started after 2 seconds.</p>
Pause playback (PAUSE) .....	Press the 1 key in the key block. <b>PAUSE</b> is displayed.
Cancel pause .....	Press the 1 key in the key block. Playback will continue.

OULXBER,0001BA7 -29-13JAN12-1/1

# Bluetooth® Operation (Premium Radio only)

## Bluetooth® Operation, General Information

This radio system is equipped with an integrated Bluetooth® module. Using radio communication, Bluetooth® allows for a safe data transfer between the radio system and a paired close-range Bluetooth® device such as a cell phone.

The following functions are integrated:

- Turn Bluetooth® function on and off manually.
- Permanent link (pairing) between radio system and cell phone.
- Automatic pairing with previously linked cell phone at radio system power-on.
- Download of 252 contacts with 4 phone numbers each from the phone book of the paired cell phone.
- Research of transferred contact data.
- Receive and place calls.
- Play back audio files.

## FCC (Federal Communications Commission)

FCC ID: YBN-JD-BASE4

IC: 9595A-JDBASE4

## FCC § 15.19 Labelling Requirements

This device complies with part 15 of the FCC Rules and Industry Canada license-exempt RSS Standard(s). Operation is subject to the following two conditions:

1. This device may not cause harmful interference.
2. This device must accept any interference received, including interference that may cause undesired operation.

## FCC § 15.21 Caution to Users

Changes or modifications not expressly approved by the party responsible for compliance could void the user's authority to operate the equipment."

OULXBER,0001BA8 -29-13JAN12-1/1

## Set Up Bluetooth®

The following steps must be performed before Bluetooth® can be used:

1. Turn Bluetooth® function on
2. Select connection type (phone/audio)
3. Pair cell phone

4. Select paired cell phone for connection
5. Transfer phone data

As soon as the cell phone has been successfully paired, phone calls can be received and placed via the radio system. Also, MP3 music files stored on the cell phone can be played back via the radio system.

OULXBER,0001BA9 -29-13JAN12-1/1

## Turn Bluetooth® On/Off (BT MODE)

The Bluetooth® function can be turned on or off in each mode (radio, CD, USB, AUX, XM). When Bluetooth® is turned on, the corresponding symbol flashes.

*HINWEIS: The Bluetooth® symbol is permanently displayed when Bluetooth® is turned on and a device is paired.*

1. Press the **MENU** key to open the menu.

2. Press the **MENU** key several times until **BT MODE** is displayed. Wait for 2 seconds until the current setting **BT OFF** or **BT ON** is displayed.
3. Turn the volume control counterclockwise or clockwise to turn Bluetooth® on or off. After 2 seconds the new setting becomes active and the Bluetooth® symbol starts flashing.
4. Press the **MENU** key to open the **CON-TYPE** or wait a moment to automatically return to the currently selected mode.

OULXBER,0001BAA -29-13JAN12-1/1

## Select Connection Type (CON-TYPE) and Pair Devices (BT-PAIR)

Bluetooth® phone and Bluetooth® audio can be used with this radio system. The selection is done in the CON-TYPE menu.

*HINWEIS: CON-TYPE is only displayed when Bluetooth® is turned on (BT ON).*

### Select connection type (CON-TYPE)

1. Press the **MENU** key to open the menu.
2. Press the **MENU** key several times until **CON-TYPE** is displayed. Wait for 2 seconds until the submenu **BT PHONE** or **BT AUDIO** is displayed.
3. Turn the volume control counterclockwise or clockwise to select **BT PHONE** or **BT AUDIO**.
4. Press the **MENU** key to open the subsequent **BT PAIR** menu or press the **TA** key to cancel.

### Pair Bluetooth® devices (BT-PAIR)

1. Press the **MENU** key to open the menu.
2. Press the **MENU** key several times until **BT PAIR** is displayed. Wait for 2 seconds until the submenu

**VISIBLE** or **BT AUDIO** is displayed. After 2 more seconds, **PIN XXXX** is displayed (XXXX represents an individual sequence of numbers).

3. On the cell phone, select New Device or BOSCH BT (if already set up) and start the connectivity search. As soon as the cell phone has established the connection, you are prompted to enter the PIN.
4. Now, enter the numbers (XXXX) displayed on the radio into the cell phone and confirm, if required.
5. If pairing was successful, the Bluetooth® symbol and **PAIRED** is displayed; then after 2 seconds **BT JOIN** followed by the contact name of the paired cell phone is displayed.

*HINWEIS: If pairing was not successful, **NO PAIR** is displayed and the radio system immediately returns to the previous mode. A new pairing attempt can be started.*

6. The contact name is displayed for 10 seconds and then the radio system returns to mode selected prior to the pairing.

OULXBER,0001BAB -29-13JAN12-1/1

## Select Paired Bluetooth® Device for Connection (BT-JOIN)

Up to 5 cell phones can be paired with the radio system. The cell phone connected last is always automatically connected again and displayed in **BT JOIN**. If another already paired cell phone is to be connected, the

Bluetooth® function on all other cell phones within range must be turned off first. It is also possible to pair the desired cell phone with the radio system again.

A maximum of 5 devices can be paired with the radio system. If another device is paired, the device that has been stored the longest will be deleted.

OULXBER,0001BAC -29-13JAN12-1/1

## Transfer and Research Phone Data (Data Transfer)

### Transfer data:

After successful pairing, up to 252 contacts with 4 phone numbers each are transferred from the connected cell phone to the radio system. The transfer takes place automatically in the background. There is no information on the process. Phone data can be accessed via the radio system as soon as the Bluetooth® symbol stops blinking.

### Research data:

The phone data (phone numbers, contact names, etc.) are stored in a list. The list can be displayed by pressing and holding the **SRC** key and then searched by using the arrow keys. Press the **SRC** key again or press the **MENU** key to cancel.

1. Press and hold the **SRC** key for more than 3 seconds to open the list.
2. The first contact is displayed.
3. Press the **▶** key to go to the next character in the alphabet.
4. Press the **◀** key to go to the previous character in the alphabet.
5. Press the **▼** key to display the next contact.
6. Press the **▲** key to display the previous contact.
7. Press the **MENU** key to close the list.

*HINWEIS: Incoming calls have priority. The list will be closed and the last selected mode will be displayed. Besides the general phone data, also data about the phone history such as number of connections, received calls and missed calls are transferred (10 entries of each type). This information is transferred after each phone call.*

OULXBER,0001BAD -29-13JAN12-1/1

## Receive and Place Calls

When the radio system is paired with a cell phone, calls can be received and placed.

### Answer a call

When a call is coming in, a ring tone sounds and **CALL** is displayed. After 2 seconds the display changes and the contact name or the phone number of the caller is displayed. **PRIVATE NUMBER** will be displayed, if the relevant information is not available.

1. Press the **BND** key to answer the call. (To reject a call, press the **MENU** key.)
2. Use the volume control to adjust the phone volume, if necessary.
3. Press the **MENU** key to end the call. **CALL END** is displayed for 2 seconds and the radio system returns to the currently selected mode.

### Place a call

1. Press and hold the **SRC** key for more than 3 seconds to open the contact list.
2. Use the arrow keys to select the desired contact and press the **BND** to establish the connection.
3. Once the connection has been established, **IN CALL** is displayed.
4. Use the volume control to adjust the phone volume, if necessary.
5. Press the **MENU** key to end the call. **CALL END** is displayed for 2 seconds and the radio system returns to the currently selected mode.

*HINWEIS: Incoming calls during an ongoing phone call are announced with a ring tone. After the ring tone has ended, the incoming call is automatically rejected.*

OULXBER,0001BAE -29-13JAN12-1/1

## Playback Audio Files (BT AUDIO)

This radio system supports the A2DP<sup>1</sup> Bluetooth® standard. When the cell phone or the audio player also supports A2DP, MP3 music files can be transferred wireless to the radio system and played back in stereo quality. For playback, **BT AUDIO** connection type must be selected in the **CON-TYPE** menu and then the Bluetooth® device must be paired. After successful pairing, enter the **BT AUDIO** mode using the **SRC** key to listen to the music files.

### Pair the device with the radio:

1. Press the **MENU** key to open the menu.
2. Press the **MENU** key several times until **CON-TYPE** is displayed. Wait for 2 seconds until the submenu **BT PHONE** or **BT AUDIO** is displayed.
3. Turn the volume control clockwise to select **BT AUDIO**.
4. Press the **MENU** key to open the subsequent **BT PAIR** menu and to pair a cell phone or an MP3 player

<sup>1</sup>A2DP (Advanced Audio Distribution Profile) is a commonly used transfer technology that allows stereo audio signals to be transmitted to a compatible receiver using Bluetooth®.

with the radio system. See Pair Bluetooth® Devices in this section.

### After successful pairing:

1. Press the **SRC** key several times until the **BT AUDIO** mode is displayed. Playback of the tracks starts automatically and continues either to the end of a file, a directory or endlessly, depending on the cell phone/audio player setting. Track information will be displayed as scrolling text, if available and if SCRL is turned on. If no track information is available **TITLE UNKNOWN** is displayed.
2. Use the volume control to adjust the playback volume.
3. Press the pause key **||▶** to pause the playback. Press the pause key again to resume the playback.

*HINWEIS: The telephone function is also active in the **BT AUDIO** mode and has priority over the music playback. Therefore, the music playback is paused for the duration of a call.*

OULXBER,0001BAF -29-13JAN12-1/1



# XM Satellite Reception (Premium Radio for North America only)

## XM Radio Mode

This radio system is equipped with an XM tuner to receive digital radio stations via satellite (e.g. XM Radio). There are three XM bands (XM1, XM2 and XM3 memory levels) with up to 6 channels each that can be assigned to the 6 station keys.

Using the CAT function, the channels can be specifically selected according to program types (categories).

*HINWEIS: The satellite radio service is subject to fees and the user must subscribe to it (e.g. by phone)! The serial number of the receiver is required for the subscription. See Display XM Serial Number in this section.*

OULXBER,0001BB0 -29-13JAN12-1/1

## Start XM Radio Mode

If the radio system is currently in a different mode:

Press the **SRC** key several times until **XM** and the channel number CHN X is displayed (X represents a number).

OULXBER,0001BB1 -29-13JAN12-1/1

## Select XM Band (Memory Level)

XM1 band is set as factory setting. Press the **BND** key to change bands.

### Select XM band (starting from initial setting XM1):

Press once to advance to XM2

Press twice to advance to XM3

Press three times to return to XM1

The name of the selected XM band is displayed in the left lower corner of the display.

OULXBER,0001BB2 -29-13JAN12-1/1

## Select XM Channels

The channels are selected manually. The available channels can be selected with the arrow keys. It is possible to select either all channels or a number of channels presorted by program type (category).

- Press the ► key to go to the next channel.
- Press the ◀ key to go to the previous channel.

The number of the selected channel is displayed.

OULXBER,0001BB3 -29-13JAN12-1/1

## Store XM Channels

Storing of the XM channels on the station keys is identical to storing analog radio stations.

1. Press the **BND** key and select the relevant XM band.
2. Press the ► or ◀ key to select the desired XM channel.

3. Select one of station keys 1 - 6 for storing the XM channel, then press and hold this key for more than 2 seconds. A confirmation beep indicates that the XM channel is now stored on the selected station key.

While an XM channel is played, the storage location (e.g. P1) of this XM channel is displayed in the left upper corner of the display.

OULXBER,0001BB4 -29-13JAN12-1/1

## Call Up Stored XM Channels

1. Press the **BND** key and select the relevant XM band.

2. Press the relevant station key 1 - 6 to select the desired XM channel.

OULXBER,0001BB5 -29-13JAN12-1/1

## Turn Program Type (Category) On/Off (CAT)

1. Press the **SRC** key and change to satellite mode (if XM is not selected yet).

2. Press the **MENU** key several times until **CAT** is displayed.
3. Turn the volume control clockwise or counterclockwise to select **CAT ON** or **CAT OFF**.
4. Press the **MENU** key several times to exit the menu.

OULXBER,0001BB6 -29-13JAN12-1/1

### Select Program Type (Category)

The program types (e.g. ROCK, JAZZ, NEWS, etc.) are selected using the ▼ and ▲ arrow keys.

*HINWEIS: CAT must be turned on to be able to select a program type.*

- Press the ▲ key to go to the next program type.
- Press the ▼ key to go to the previous program type.

OULXBER,0001BB7 -29-13JAN12-1/1

### Set Key Function (KEY PRG)

In the XM radio mode, one of the following functions can be assigned to the ◀ and ▶ keys:

CHNSEEK: Manual change of XM channels in increments

CHNSCAN: Scanning of XM channels receivable in the currently selected XM band

1. Press the **MENU** key several times until **KEY PRG** is displayed.
2. Turn the volume control counterclockwise or clockwise to change from CHNSEEK to CHNSCAN or vice versa.
3. Press the **MENU** key several times to exit the menu.

OULXBER,0001BB8 -29-13JAN12-1/1

### Display XM Serial Number

The XM serial number is the same as the serial number of the radio system. The serial number is briefly displayed after the XM receiver has been selected.

1. Have a note pad and a pen ready.
2. Press the **SRC** key several times until **XM** is displayed.

3. After 2 seconds the channel **CHN 0** is displayed.
4. Then **RADIO ID** is displayed. After another 2 seconds the eight-digit XM serial number (similar to 1A2B3C4D) is displayed.
5. Record the number; this is the Code required to subscribe to the satellite radio service. The serial number is only displayed for 10 seconds.

OULXBER,0001BB9 -29-13JAN12-1/1

### System Information

Different malfunctions may occur in the XM radio mode for which the radio system displays the relevant diagnostic trouble codes. Possible diagnostic trouble codes and causes are listed in the following table.

SATUPDAT	Updating of encryption code
NOSIGNAL	No signal or signal too weak. This diagnostic trouble code is displayed until the signal becomes strong enough.
LOADSGNL	Decoding of audio signal not successful; change the channel.
OFF AIR	Selected channel does not broadcast; change the channel.
NOTAVAIL	Selected channel no longer available; the radio system automatically changes to the previous channel.
NO INFO	No artist or track information; the display remains until the relevant information is received.
SAT FAIL	XM receiver failure.

OULXBER,0001BBA -29-13JAN12-1/1

# Specifications

## Specifications

	<b>Deluxe Radio System</b>	<b>Deluxe Radio System with CD</b>	<b>Premium Radio System</b>	<b>Premium Radio System for North America</b>
Operating voltage	12 volts	12 volts	12 volts	12 volts
Output	4 x 20 watts (sine at 4 ohms)	4 x 20 watts (sine at 4 ohms)	4 x 20 watts (sine at 4 ohms)	4 x 20 watts (sine at 4 ohms)
AUX input	2 x 2.0 volts eff	2 x 2.0 volts eff	2 x 2.0 volts eff	2 x 2.0 volts eff
Wave bands, NAFTA countries:				
FM	87.7 – 107.9 MHz	87.7 – 107.9 MHz	87.7 – 107.9 MHz	87.7 – 107.9 MHz
AM	530 – 1710 kHz	530 – 1710 kHz	530 – 1710 kHz	530 – 1710 kHz
WX	162.4 – 162.55 MHz	162.4 – 162.55 MHz	not available	162.4 – 162.55 MHz
Wave bands, EUROPE				
UKW (FM)	87.7 – 107.9 MHz	87.7 – 107.9 MHz	87.7 – 107.9 MHz	87.7 – 107.9 MHz
MW	530 – 1710 kHz	530 – 1710 kHz	530 – 1710 kHz	530 – 1710 kHz
LW	153 – 279 kHz	153 – 279 kHz	153 – 279 kHz	153 – 279 kHz
FM frequency response	30 – 15000 Hz	30 – 15000 Hz	30 – 15000 Hz	30 – 15000 Hz
CD frequency response	20 – 20000 Hz	20 – 20000 Hz	20 – 20000 Hz	20 – 20000 Hz

OULXBER,0001BBB -29-13JAN12-1/1

## Product Identification Number

Read the product identification number off the radio system and record it here:

Model: \_\_\_\_\_

No. \_\_\_\_\_

OULXBER,0001BBC -29-13JAN12-1/1

PROOF PROOF

# Stichwortverzeichnis

	Seite		Seite
<b>A</b>		WMA .....	35-1
Activate Bluetooth® (BT MODE) .....	40-1	Playback of MP3 or WMA Files .....	35-3
Adjust Brightness of Radio Illumination .....	10-3	Program Type .....	15-3
Adjust Front/Rear Volume Distribution .....	10-4	<b>R</b>	
Adjust Left/Right Volume Distribution .....	10-4	Receive and Place Calls, Bluetooth® .....	40-3
Adjust Maximum Volume at Power-On .....	10-3	Restore Sound Settings .....	10-4
Adjust Sound .....	10-4	Road Safety .....	05-1
Adjust Volume .....	10-3	<b>S</b>	
<b>B</b>		Safety at Work .....	05-1
Bluetooth®, Data Transfer .....	40-2	Satellite Reception, Select Program Type (Category) .....	45-2
Bluetooth®, Pair Devices (BT-PAIR) .....	40-2	Satellite Reception, Select XM Channels .....	45-1
Bluetooth®, Playback Audio Files (BT AUDIO) .....	40-3	Satellite Reception, XM Serial Number .....	45-2
Bluetooth®, Receive and Place Calls .....	40-3	Scan Receivable Stations .....	15-3
Bluetooth®, Transfer and Research Phone Data (Data Transfer) .....	40-2	Scan Stored Stations (PRSTSCAN) .....	15-3
<b>C</b>		Select Bluetooth® Device for Connection .....	40-2
Call Up Stored Stations .....	15-2	Select connection type (CON-TYPE) .....	40-2
CD Mode, General Information .....	30-1	Select Wave Band/Memory Level .....	15-1
CD, MP3 Directory .....	35-1	Set Key Function (KEY PRG) .....	15-4
Compile MP3 CD .....	35-1	Set Up Bluetooth® .....	40-1
Compile USB Data Carrier .....	35-2	Specifications .....	50-1
<b>D</b>		Start CD Mode .....	30-1
Display XM Serial Number .....	45-2	Start MP3 Mode from CD .....	35-2
<b>E</b>		Start MP3 Mode, USB Data Carrier .....	35-2
Eject CD .....	30-1	Start Radio Mode .....	15-1
External Audio Sources .....	25-1	Store Station .....	15-2
<b>M</b>		<b>T</b>	
MP3 or WMA File Playback .....	35-3	Track Information Display .....	35-2
MP3, CD Operation (General Information) .....	35-1	Traffic Information .....	20-1
MP3, ID3 Tags .....	35-2	Transmit Audio Files via Bluetooth® .....	40-3
MP3, USB Data Carrier .....	35-2	Treble Reduction During Interference (HCUT) .....	15-4
Mute Radio .....	10-3	Tune into a Station .....	15-2
<b>O</b>		Turn Confirmation Beep On/Off .....	10-3
Operate CD Player (Playback Function) .....	30-2	Turn Loudness On/Off .....	10-4
<b>P</b>		Turn On/Off .....	10-2
Playback Music Files		Turn RDS Comfort Functions On/Off .....	15-1
MP3 .....	35-1	<b>W</b>	
		WMA, CD Operation (General Information) .....	35-1
		<b>X</b>	
		XM Radio Mode .....	45-1
		XM Serial Number, Display .....	45-2

PROOF PROOF

PROOF PROOF

PROOF PROOF