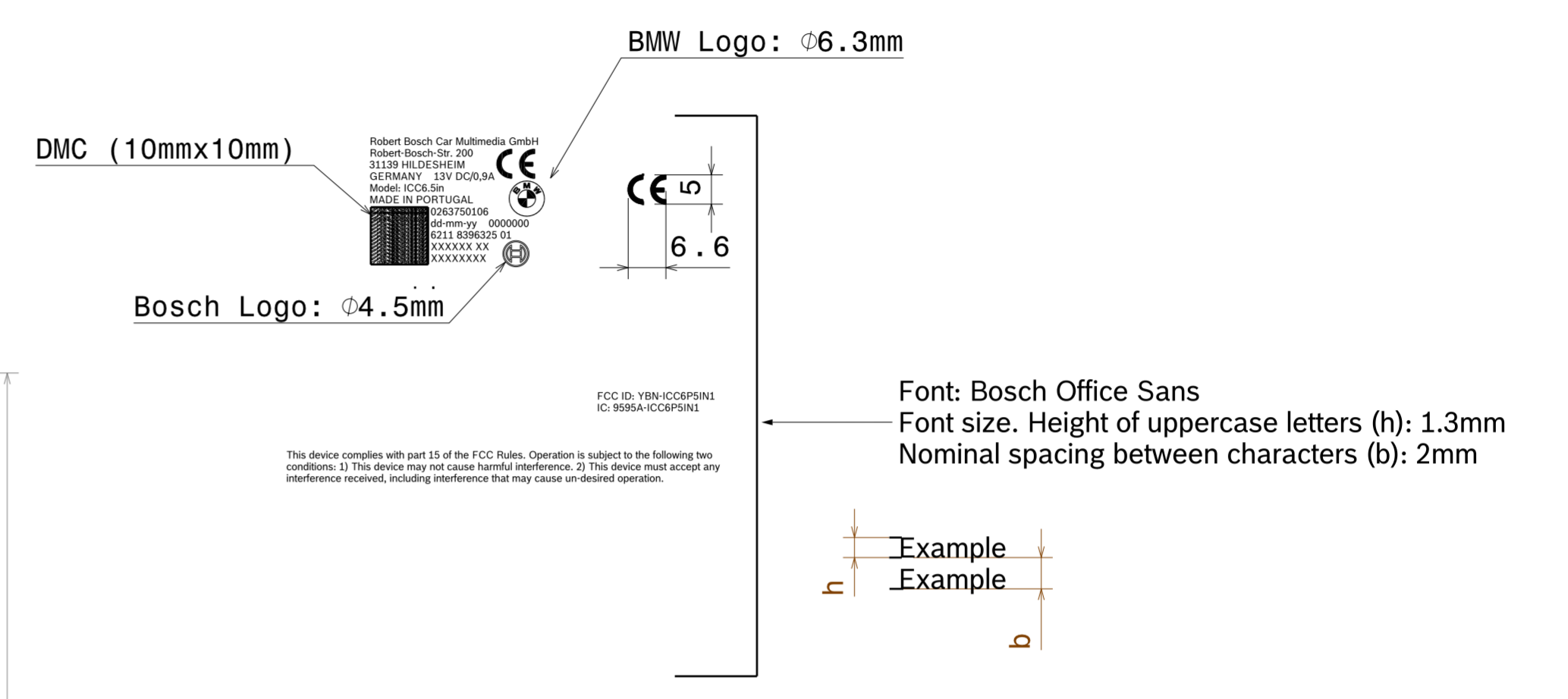
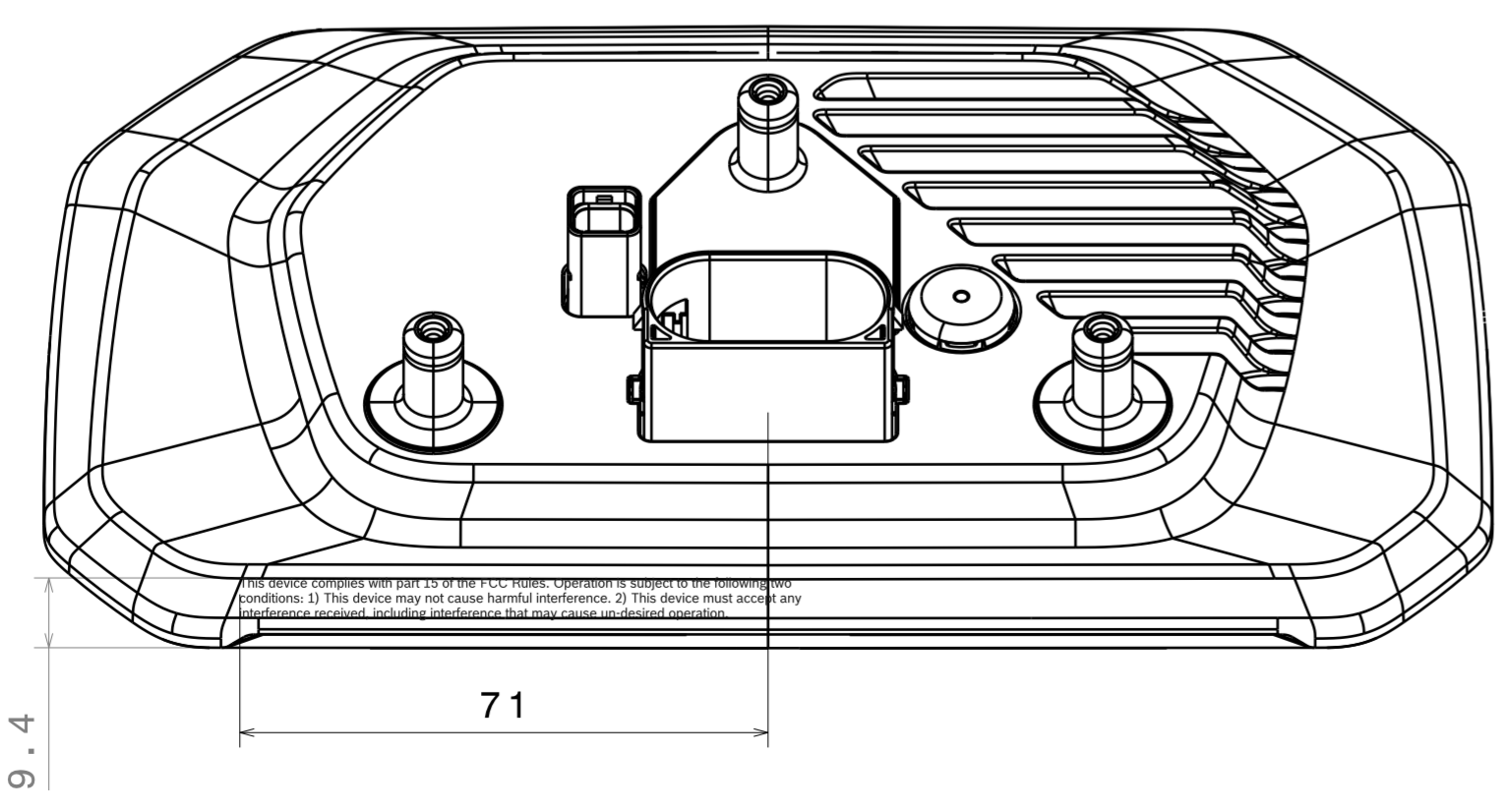
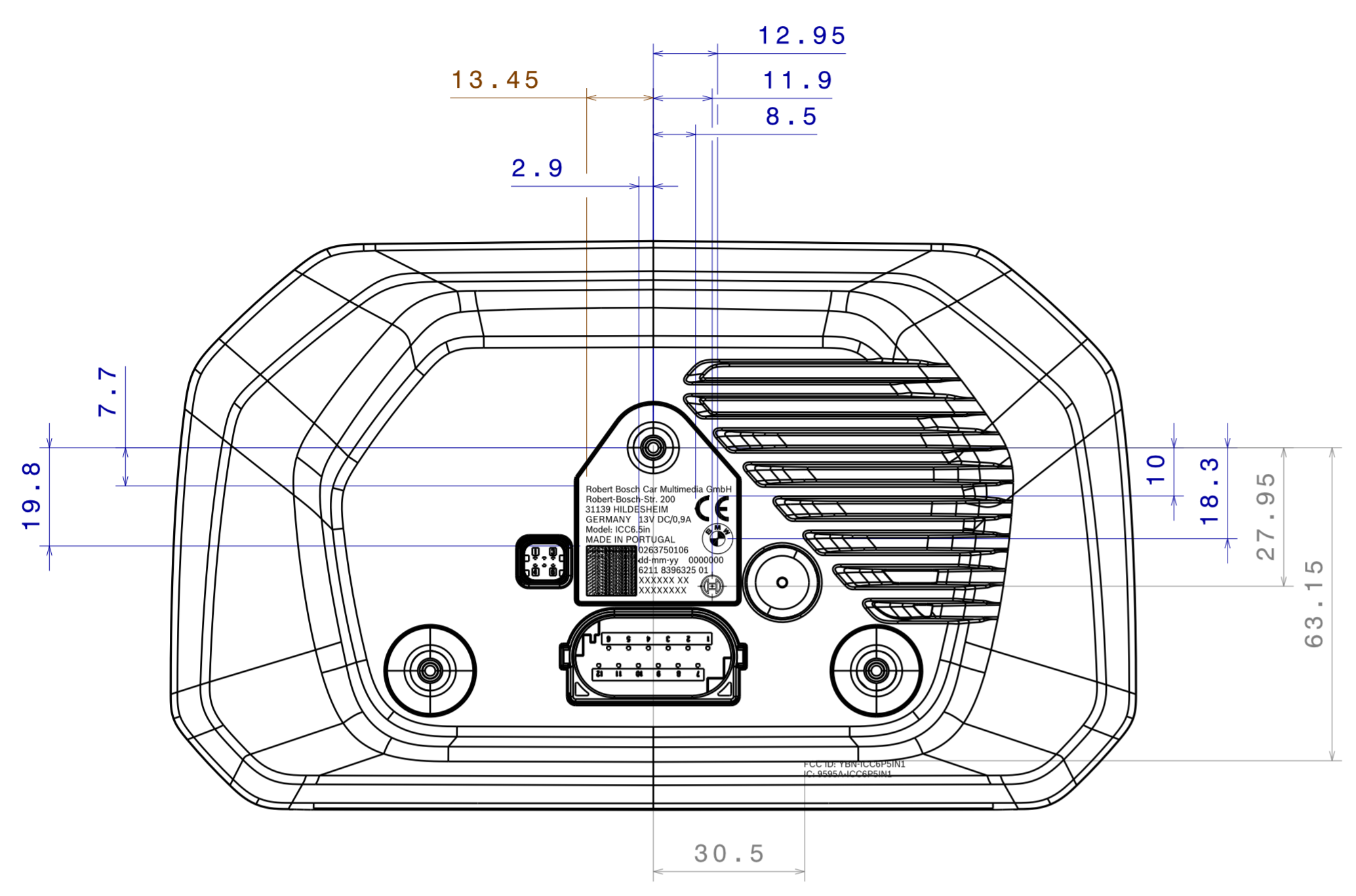


© Robert Bosch GmbH. All rights reserved. Also regarding any disposal, exploitation, reproduction, editing, distribution, as well as in the event of applications for industrial property rights.



This device complies with part 15 of the FCC Rules. Operation is subject to the following two conditions: 1) This device may not cause harmful interference. 2) This device must accept any interference received, including interference that may cause undesired operation.

Font: Bosch Office Sans
 Font size. Height of uppercase letters (h): 1.3mm
 Nominal spacing between characters (b): 2mm

Example
 Example

00 8600E00710		20170628		MRT1LR	DGK2S1	REU1LR	8150	CM-C12/ETP3	
Ind.	Change/Aend.	YYYYMMDD	Drawn/Gez.	Checked/Gepr.	Releas./Freig.	BWN	Resp. dept./Verantw. Abt.	Add. info./Zus. Info.	
Treatment/Behandlung								Missed details/Fehlende Angaben	
Mat./Stoff								From/Aus	
Lang./Spr.	Wght./Gew.	00		BOSCH		Laser Marking		Sheet/Bl.	
en/de	crit. P.	Scale/M. stab	1:1		Laser Markierung		Doc. type		1/2
Mat. meets/Stoffe s.		Syst.	8 613 012 773		DP/TD	Ind.	Format		
N2580-1		CAT	Repl. for		Repl. by				