

Hildesheim
22 March 2018

From | Our Reference | Tel |

Report

Issue Confidential
Topic **A-IVI Scope 2 Internal Pictures**
Description Pictures of PCBs used in A-IVI Scope 2 units

Product Type: Radio-Navigation-System
Model Names: AIVICMFB0
Brand: Robert Bosch Car Multimedia GmbH

Bosch Confidential

Hildesheim
22 March 2018

From | Our Reference | Tel

Report
Issue Confidential
Topic A-IVI Scope 2 Internal Pictures

Contend

- 1 Pictures of disassembly 3**
- 2 Main PCBs 5**
- 2.1 Main PCB "D" 5**
 - 2.1.1 Main PCB "D" Top side 5
 - 2.1.2 Main PCB "D" Bottom side 6
- 3 XM Module (all US / CAN variants) 7**
- 4 Switch PCBs 8**
- 4.1 Switch PCB "CMFB" 8**
 - 4.1.1 Switch PCB "CMFB" Top side 8
 - 4.1.2 Switch PCB "CMFB" Bottom side 8
- 5 Bluetooth/Wi-Fi Module (all variants) 9**
- 5.1 Bluetooth/Wi-Fi Module without Shielding (all variants) 9**
- 5.2 Bluetooth/Wi-Fi Module bottom side 10**

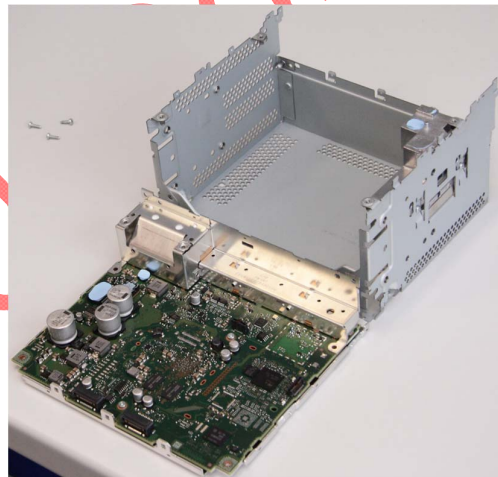
Bosch Confidential

Hildesheim
22 March 2018

From | Our Reference | Tel |

Report
Issue Confidential
Topic A-IVI Scope 2 Internal Pictures

1 Pictures of disassembly



Confidential

Bosch

Hildesheim
22 March 2018

From | Our Reference | Tel

Report
Issue Confidential
Topic A-IVI Scope 2 Internal Pictures



Hildesheim
22 March 2018

From | Our Reference | Tel |

Report

Issue Confidential

Topic A-IVI Scope 2 Internal Pictures

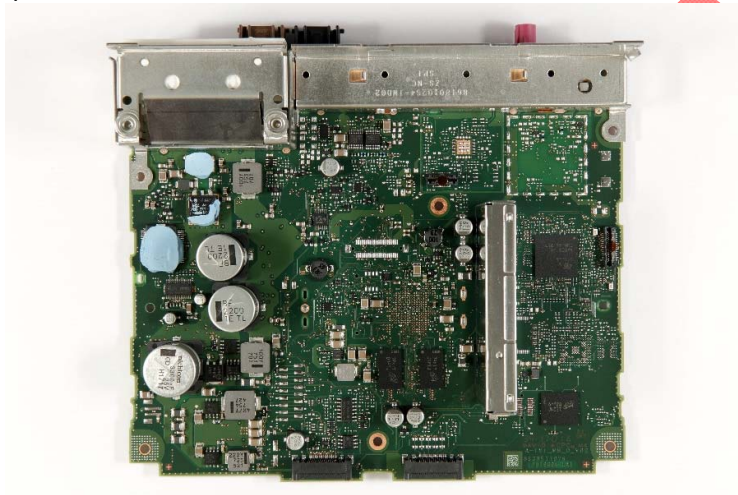
2 Main PCBs

2.1 Main PCB “D”

Circuit and layout name / version: A-IVI_MB_D_V02
Mainboard used for Nissan Entry units

2.1.1 Main PCB “D” Top side

Insertion for USA / CANADA with XM Tuner



Bosch

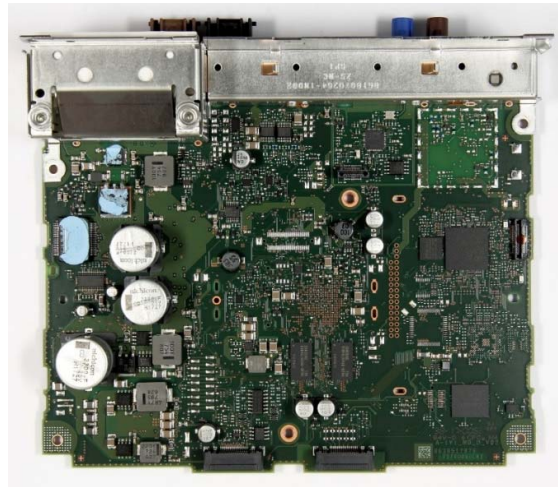
Confidential

Hildesheim
22 March 2018

From | Our Reference | Tel |

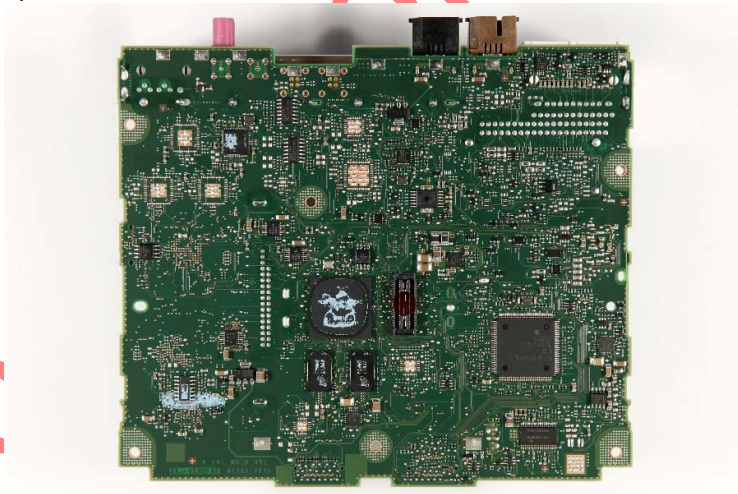
Report
Issue Confidential
Topic A-IVI Scope 2 Internal Pictures

Insertion for rest of world



2.1.2 Main PCB "D" Bottom side

Insertion for USA / CANADA with XM Tuner

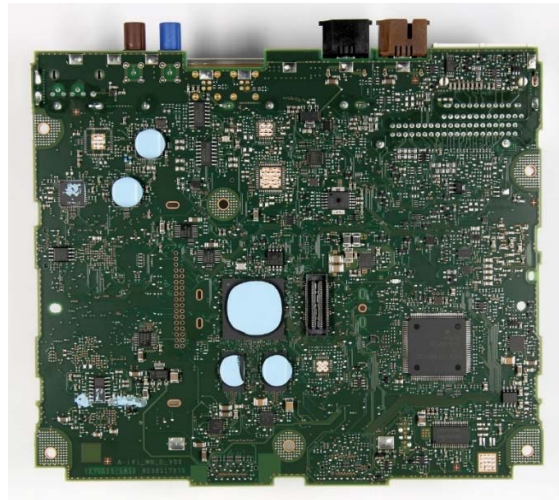


Hildesheim
22 March 2018

From | Our Reference | Tel

Report
Issue Confidential
Topic A-IVI Scope 2 Internal Pictures

Insertion for rest of world



3 XM Module (all US / CAN variants)



Hildesheim
22 March 2018

From | Our Reference | Tel |

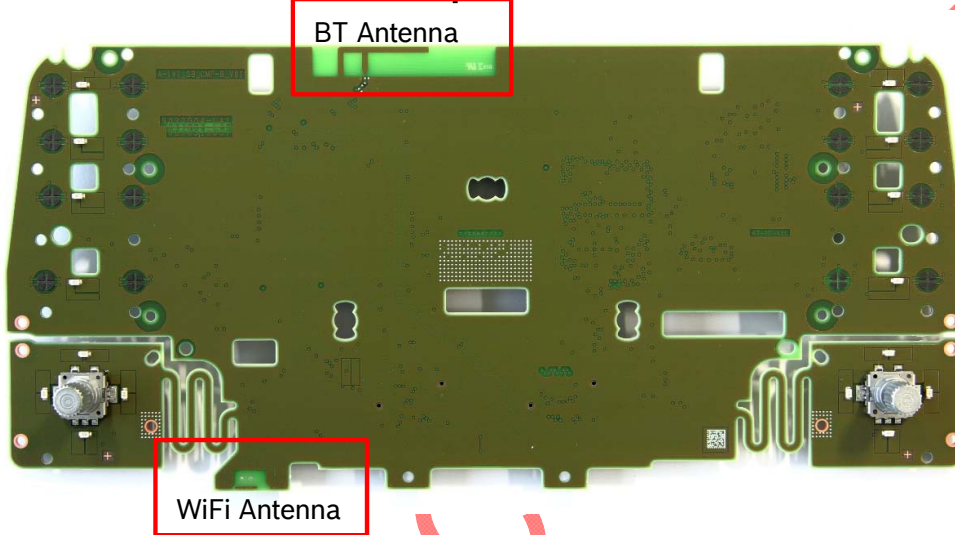
Report
Issue Confidential
Topic A-IVI Scope 2 Internal Pictures

4 Switch PCBs

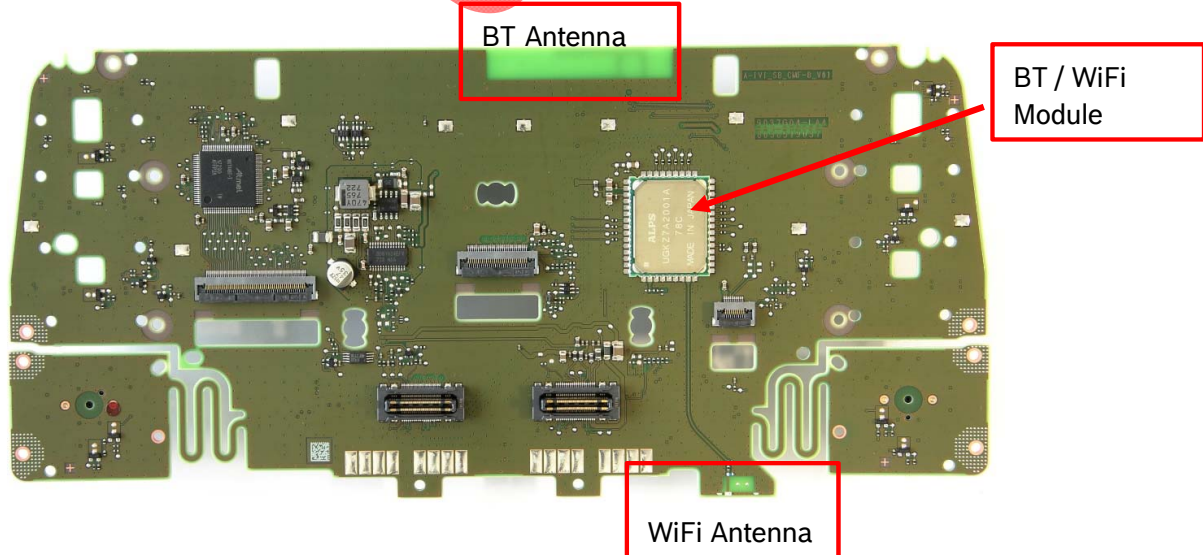
4.1 Switch PCB “CMFB”

Circuit and layout name / version: A-IVI_SB_CMFB-B_V01

4.1.1 Switch PCB “CMFB” Top side



4.1.2 Switch PCB “CMFB” Bottom side

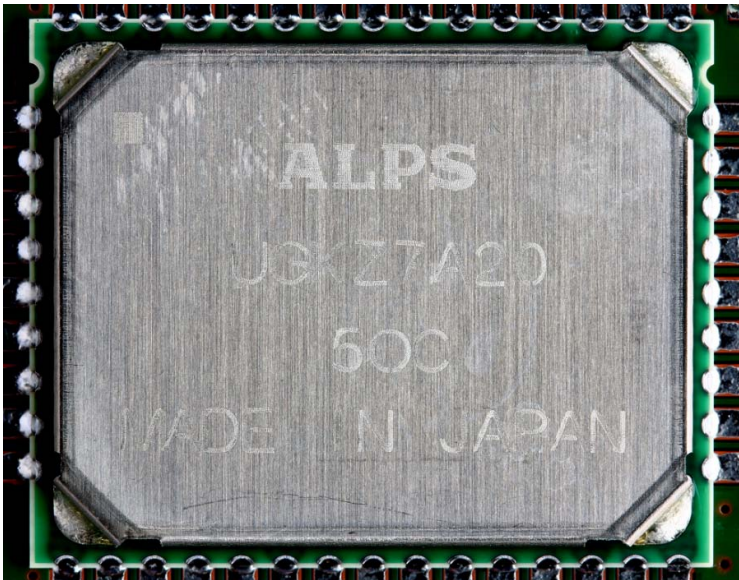


Hildesheim
22 March 2018

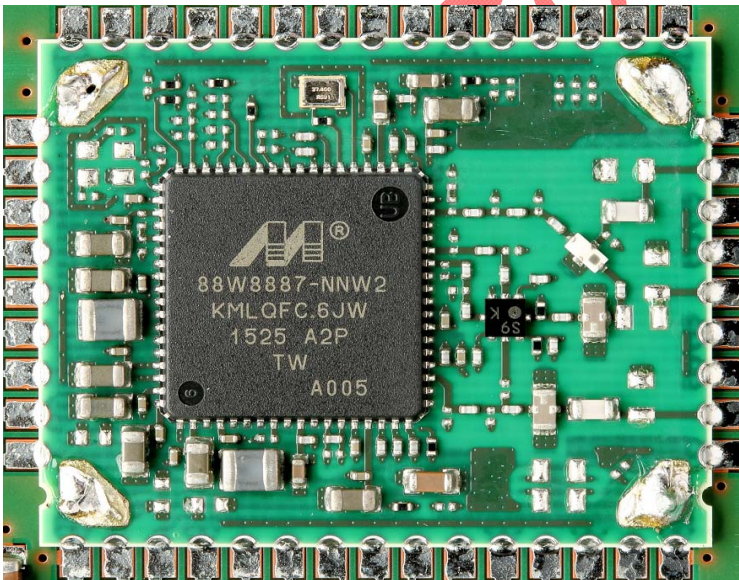
From _____ | Our Reference _____ | Tel _____

Report
Issue Confidential
Topic A-IVI Scope 2 Internal Pictures

5 Bluetooth/Wi-Fi Module (all variants)



5.1 Bluetooth/Wi-Fi Module without Shielding (all variants)

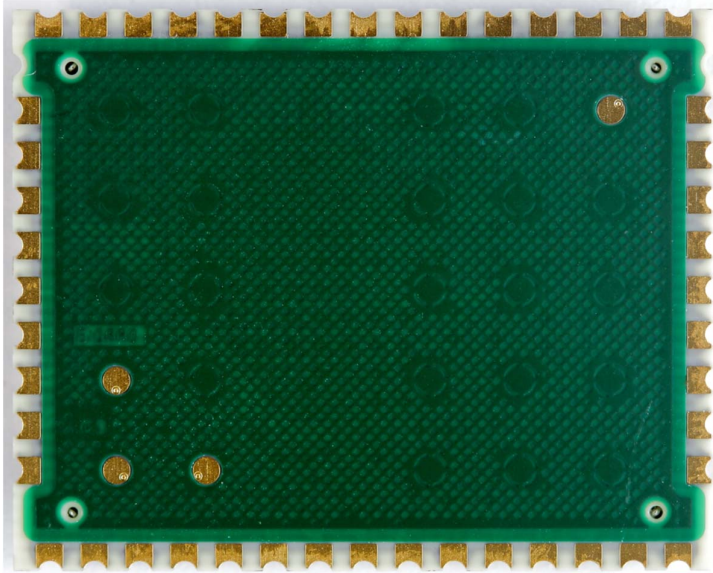


Hildesheim
22 March 2018

From | Our Reference | Tel

Report
Issue Confidential
Topic A-IVI Scope 2 Internal Pictures

5.2 Bluetooth/Wi-Fi Module bottom side



Bosch Confidential