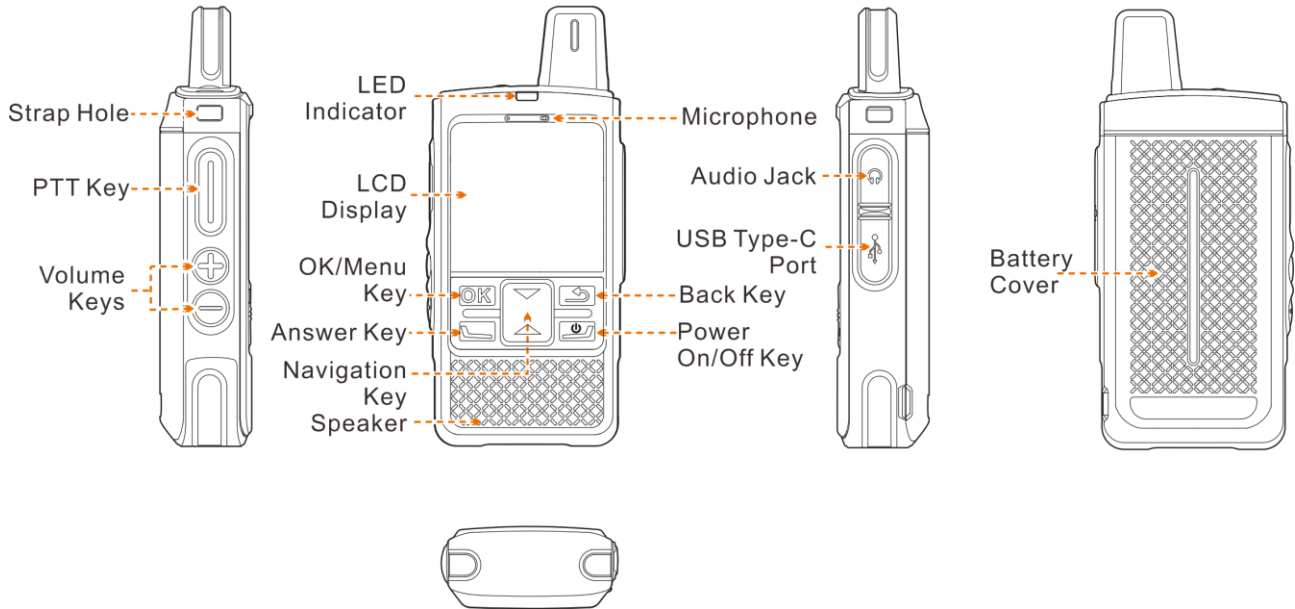


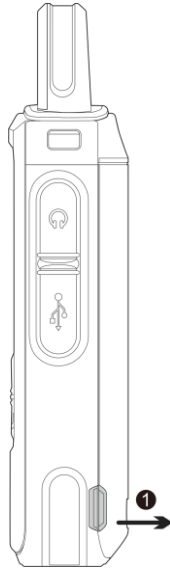
1. Product Overview



2. Before Use

2.1 Installing the Nano SIM Card

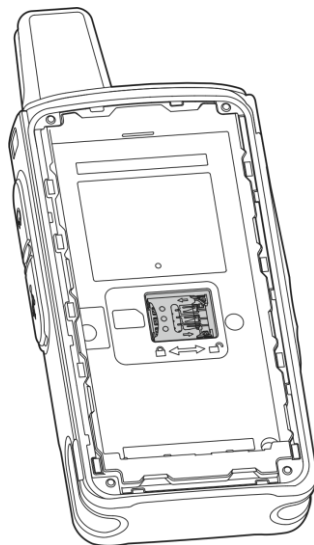
1. Remove the battery cover with a proper tool.



NOTE

- The battery cover is tightly fastened to ensure optimum waterproof performance. Therefore, you need to remove the battery cover with a proper tool.
 - Do not remove the battery cover by force.
-

2. Open the SIM card slot cover.
3. Install the SIM card.
4. Put the card slot cover back in place.

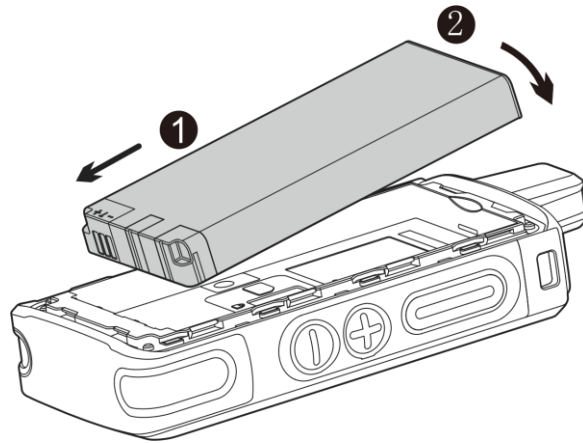


2.2 Attaching the Battery

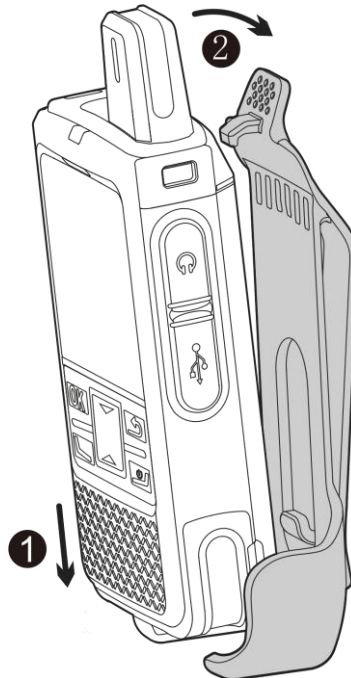
CAUTION

- Use the approved battery to avoid the risk of explosion.
- Dispose of the used battery according to "Precautions for Disposal" in the *Safety Information Booklet*.

Attach the battery as shown below, and then attach the battery cover back.

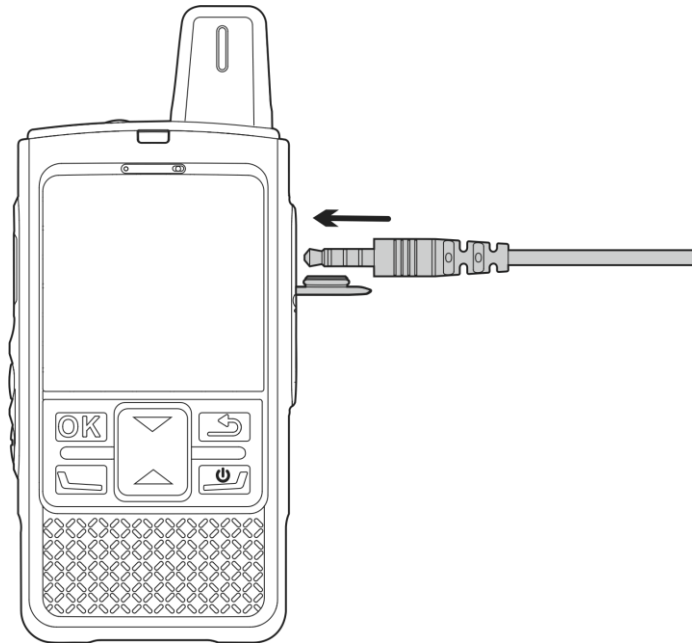


2.3 Attaching the Belt Clip



2.4 Attaching the Audio Accessory

Open the audio jack cover, and then insert the audio accessory into the jack.



NOTE

To ensure optimum waterproof and dustproof performance, close the audio jack cover after disconnecting the audio accessory.

2.5 Charging the Battery

CAUTION

- Use the approved charger to charge the battery.
 - Read the *Safety Information Booklet* before charging.
 - The remaining lithium-ion battery power is limited to 30% pursuant to the new lithium battery shipment regulation approved by the International Air Transport Association (IATA).
-

Before initial use, charge the battery.

To charge the battery, connect the product to a power adapter, power bank, or computer with the USB cable.


To determine the charging status, check the battery icon shown on the LCD display.


NOTE

To ensure optimum waterproof and dustproof performance, close the USB Type-C port cover after charging the product.

3. Basic Operations

3.1 Turning on/off the Product

To turn on the product, long press  for two seconds.

To turn off the product, long press  for two seconds, and then select **Power off**.

3.2 Adjusting the Volume

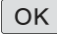

To increase the volume, press the **Volume +** key.

To decrease the volume, press the **Volume –** key.

3.3 Locking/Unlocking the Screen

1. To lock the screen, go to **Settings > Screen locked** to enable the feature.

If the product is not operated for a specific duration, the screen will be automatically locked.

2. To unlock the screen, press  and .

3.4 Connecting to the Network

To connect to the cellular network, install the Nano SIM card and activate the cellular data service.

3.5 Checking the Device Information

To check the information such as model, serial number, and version, go to **Settings > About phone**.


4. PoC Services

You can use Push-to-Talk over Cellular (PoC) services such as one-to-one or one-to-many voice call over the public network.

- To initiate a call, do as follows.
 - a. Select a contact.
 - b. Press and hold the **PTT** key, and then speak.
 - c. Release the **PTT** key.
- You can receive a call without any operation.

5. Specifications

Specifications	
Model	PNC360S
Frequency Range	<ul style="list-style-type: none"> ● FDD-LTE: B2/B4/B5/B7/B12/B13/B17/B26/B38/B41 ● TDD-LTE: B38/B41 ● WCDMA: B2/B4/B5 ● TD-SCDMA: B34/B39 ● GSM: 850/1900 ● BT: BT4.1 ● WIFI: 802.11b/g/n ht20/n ht40 ● GPS: GPS/Beidou/Glonass/Galileo/AGPS
Operational Temperature	-20 °C to +60 °C
Battery Charging Temperature	10 °C to +45 °C
Software Version	V1.0.01.000.02
Hardware Version	V1.00
Accessories	Adaptor, Belt Clip, Battery

Specifications	
Trademark	
Adapter Model	S010WV0500200
Adapter Input	100-240V~50/60Hz 0.4A
Adapter Output	5.0V/2.0A
Battery Caution	<p>CAUTION</p> <p>Risk of explosion if the battery is replaced by an incorrect type disposal of a battery into fire or a hot oven, or mechanically crushing or cutting of a battery, that can result in an explosion;</p> <p>leaving a battery in an extremely high temperature surrounding environment that can result in an explosion or the leakage of flammable liquid or gas;</p> <p>a battery subjected to extremely low air pressure that may result in an explosion or the leakage of flammable liquid or gas</p>

This device complies with part 15 of the FCC Rules. Operation is subject to the following two conditions: (1) This device may not cause harmful interference, and (2) this device must accept any interference received, including interference that may cause undesired operation.

Any changes or modifications not expressly approved by the party responsible for compliance could void the user's authority to operate the equipment.

This equipment has been tested and found to comply with the limits for a Class B digital device, pursuant to part 15 of the FCC Rules. These limits are designed to provide reasonable protection against harmful interference in a residential installation. This equipment generates, uses and can radiate radio frequency energy and, if not installed and used in accordance with the instructions, may cause harmful interference to radio communications. However, there is no guarantee that interference will not occur in a particular installation. If this equipment does cause harmful interference to radio or television reception, which can be determined by turning the equipment off and on, the user is encouraged to try to correct the interference by one or more of the following measures:

- Reorient or relocate the receiving antenna.
- Increase the separation between the equipment and receiver.
- Connect the equipment into an outlet on a circuit different from that to which the receiver is connected.
- Consult the dealer or an experienced radio/TV technician for help.

The device has been tested and complies with SAR limits, users can obtain Canadian information on RF exposure and compliance

Après examen de ce matériel aux limites DAS, et/ou aux limites d'intensité de champ RF, les utilisateurs peuvent sur l'exposition aux radiofréquences et la conformité and compliance d'acquérir les informations correspondantes.

SAR tests are conducted using standard operating positions accepted by the FCC/ISED with the device transmitting at its highest certified power level in all tested frequency bands, although the SAR is determined at the highest certified power level, the actual SAR level of the device while operating can be well below the maximum value.

Before a new model device is available for sale to the public, it must be tested and certified to the FCC/ISED that it does not exceed the exposure limit established by the FCC/ISED, Tests for each device are performed in positions and locations (worn on the body) as required by the FCC/ISED.

For face-up, 25mm was used for test, this equipment should be installed and operated with minimum distance 25mm.

For body worn operation, this device has been tested and meets the FCC/ISED RF exposure guidelines when used with an accessory designated for this product or when used with an accessory that contains no metal and that positions the handset a minimum of 10mm from the body.

Non-compliance with the above restrictions may result in violation of RF exposure guidelines.

Les essais SAR sont effectués à l'aide de positions d'exploitation normalisées acceptées par la FCC/ISED avec l'appareil transmettant à son niveau de puissance certifié le plus élevé dans toutes les bandes de fréquences testées, bien que le SAR soit déterminé au niveau de puissance certifié le plus élevé, le niveau réel de R-S de l'appareil pendant son fonctionnement peut être bien inférieur à la valeur maximale.

Avant qu'un nouveau dispositif de modèle ne soit disponible à la vente au public, il doit être testé et certifié à la FCC/ISED qu'il ne dépasse pas la limite d'exposition établie par la FCC/ISED, les tests pour chaque appareil sont effectués dans des positions et des emplacements (portés sur le corps) comme l'exige la FCC/ISED. Pour le face-vers le haut, 25mm a été utilisé pour l'essai, cet équipement doit être installé et actionné avec une distance minimale de 25mm.

Pour un fonctionnement porté sur le corps, cet appareil a été testé et répond aux directives d'exposition RF FCC/ISED lorsqu'il est utilisé avec un accessoire conçu pour ce produit ou lorsqu'il est utilisé avec un accessoire qui ne contient pas de métal et qui positionne le combiné à au moins 10 mm du corps.

Le non-respect des restrictions ci-dessus peut entraîner une violation des lignes directrices sur l'exposition aux RF.

This device complies with Innovation, Science and Economic Development Canada licence-exempt RSS standard (s).

Operation is subject to the following two conditions: (1) this device may not cause interference, and (2) this device must accept any interference, including interference that may cause undesired operation of the device.

Le onjunc areil est conforme aux CNR d'innovation, la science et le développement économique Canada licables aux areils radio exempts de licence. L'exploitation est autorisée aux deux conditions suivantes:

(1) l'areil ne doit pas produire de brouillage, et (2) l'utilisateur de l'appareil doit accepter tout brouillage radioélectrique subi, onj si le brouillage est susceptible d'en compromettre le fonctionnement.