



E-center
User Manual



Preface

Thank you for purchasing our product. This user manual is a quick guide on how to use it.

This manual is applicable to the following product:

E-center Portable Command Center

Icon Conventions

The following icons are available through this manual:



Caution: Indicates situations that could cause data loss or equipment damage.



Note: Indicates references that can further describe the related topics.

Copyright Information

Hytera is the trademark or registered trademark of Hytera Communications Corporation Limited (the Company) in People's Republic of China (PRC) and/or other countries or areas. The Company retains the ownership of its trademarks and product names. All other trademarks and/or product names that may be used in this manual are properties of their respective owners.

The product described in this manual may include the Company's computer programs stored in memory or other media. Laws in PRC and/or other countries or areas protect the exclusive rights of the Company with respect to its computer programs. The purchase of this product shall not be deemed to grant, either directly or by implication, any rights to the purchaser regarding the Company's computer programs. The Company's computer programs may not be copied, modified, distributed, decompiled, or reverse-engineered in any manner without the prior written consent of the Company.

Disclaimer

The Company endeavors to achieve the accuracy and completeness of this manual, but no warranty of accuracy or reliability is given. All the specifications and designs are subject to change without notice due to continuous technological development. No part of this manual may be copied, modified, translated, or distributed in any manner without the prior written consent of the Company.

We do not guarantee, for any particular purpose, the accuracy, validity, timeliness, legitimacy or completeness of the third-party products and contents involved in this manual.

If you have any suggestions or would like to receive more information, please visit our website at:

<http://www.hytera.com>.

FCC Regulations

Federal Communication Commission (FCC) requires that all radio communication products should meet the requirements set forth by FCC in the standards for safe exposure to Radio Frequency (RF) radiation before they can be marketed in the U.S, and the manufacturer shall post an RF label on the product to inform users of operational instructions.

Operational Instructions and Training Guidelines

To ensure optimal performance and compliance with the uncontrolled environment RF energy exposure limits in the above standards and guidelines.

Contents

1. Packing List	1
1.1 Main Unit.....	1
1.2 Mandatory Accessories.....	1
2. Product Overview	2
2.1 Main Unit.....	2
2.2 Power Adapter	6
3. Preparation	7
3.1 Attaching the Battery.....	7
3.2 Charging	8
3.3 (Optional) Attaching the SIM Card	8
3.4 Connecting the Cables.....	8
4. Basic Operations	10
4.1 Unfolding E-center	10
4.2 Turning On the E-center	10
4.3 Turning Off the E-center	10
5. Basic Services	11
5.1 Call Services.....	11
5.2 Topology Manager	11
6. Troubleshooting	13
7. Care and Cleaning	14
8. Optional Accessories	15
9. Warranty	16

1. Packing List

Please unpack carefully and check that all items listed below are received. If any item is missing or damaged, please contact us or your dealer.

 **Note**

The figures in this manual are for reference only.

1.1 Main Unit

Part	Qty.	Part	Qty.
Main unit	1	User manual	1

1.2 Mandatory Accessories

 **Note**

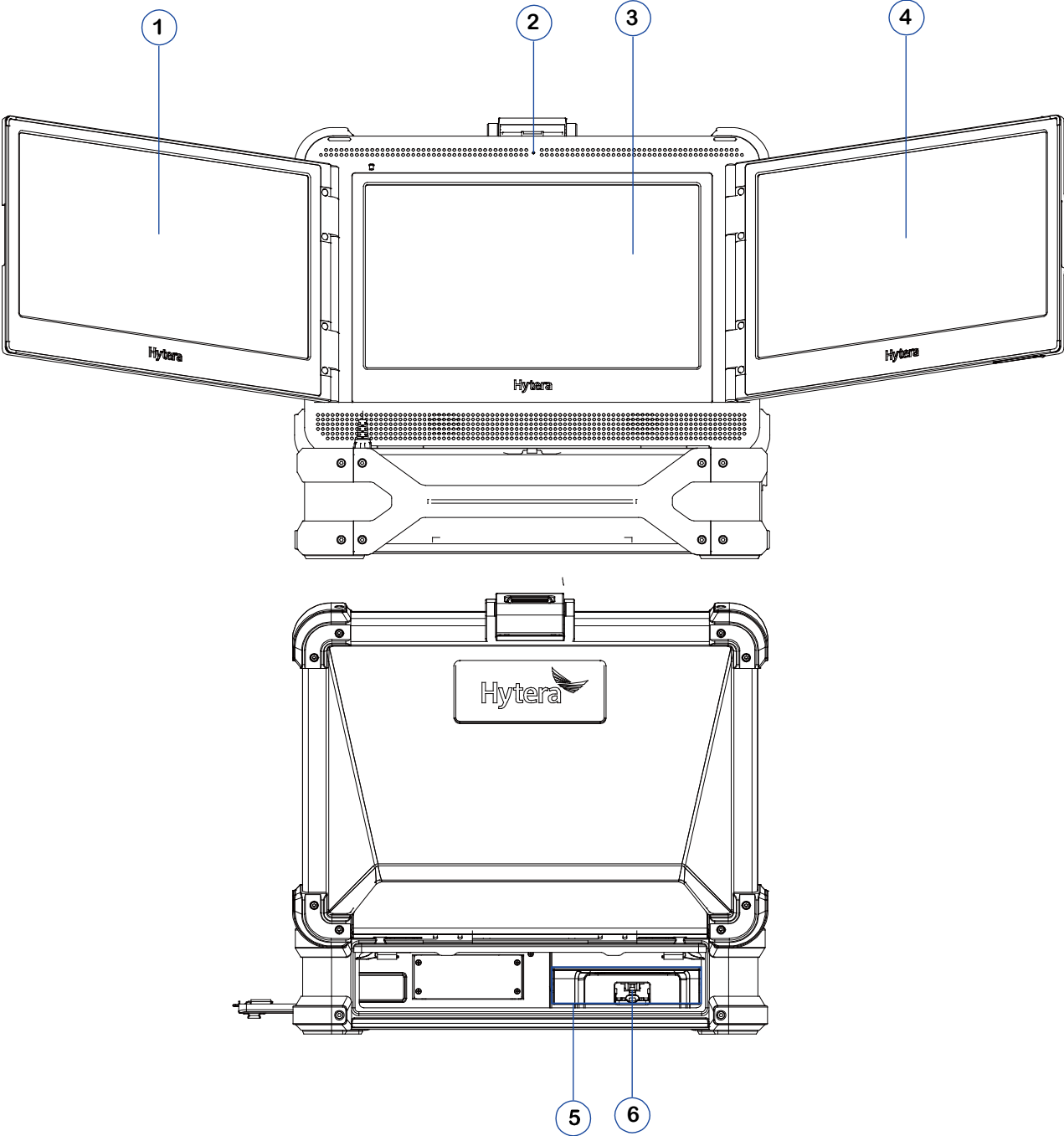
To ensure normal use of E-center, the accessories listed in the following table are mandatory.

Part	Qty.	Part	Qty.
Battery	1	Power adapter (including three cables)	1

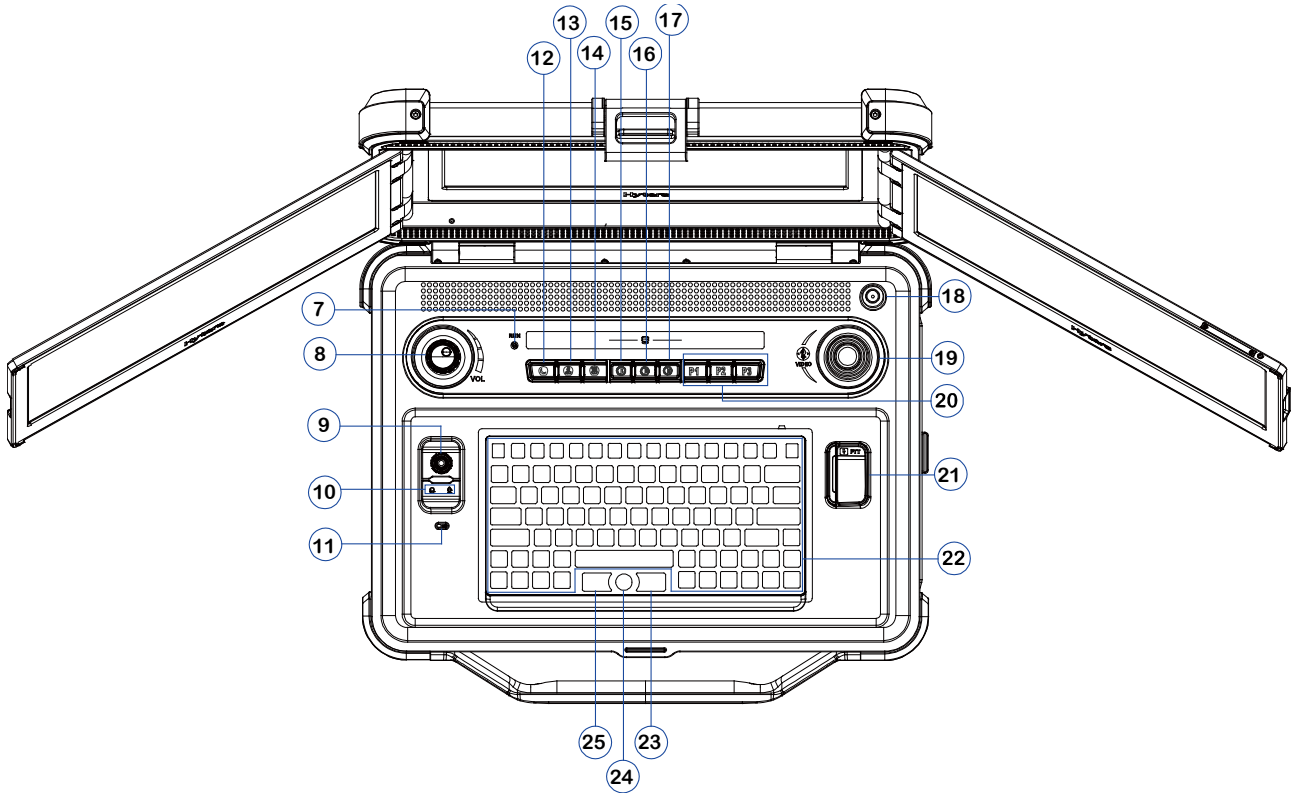
2. Product Overview

2.1 Main Unit

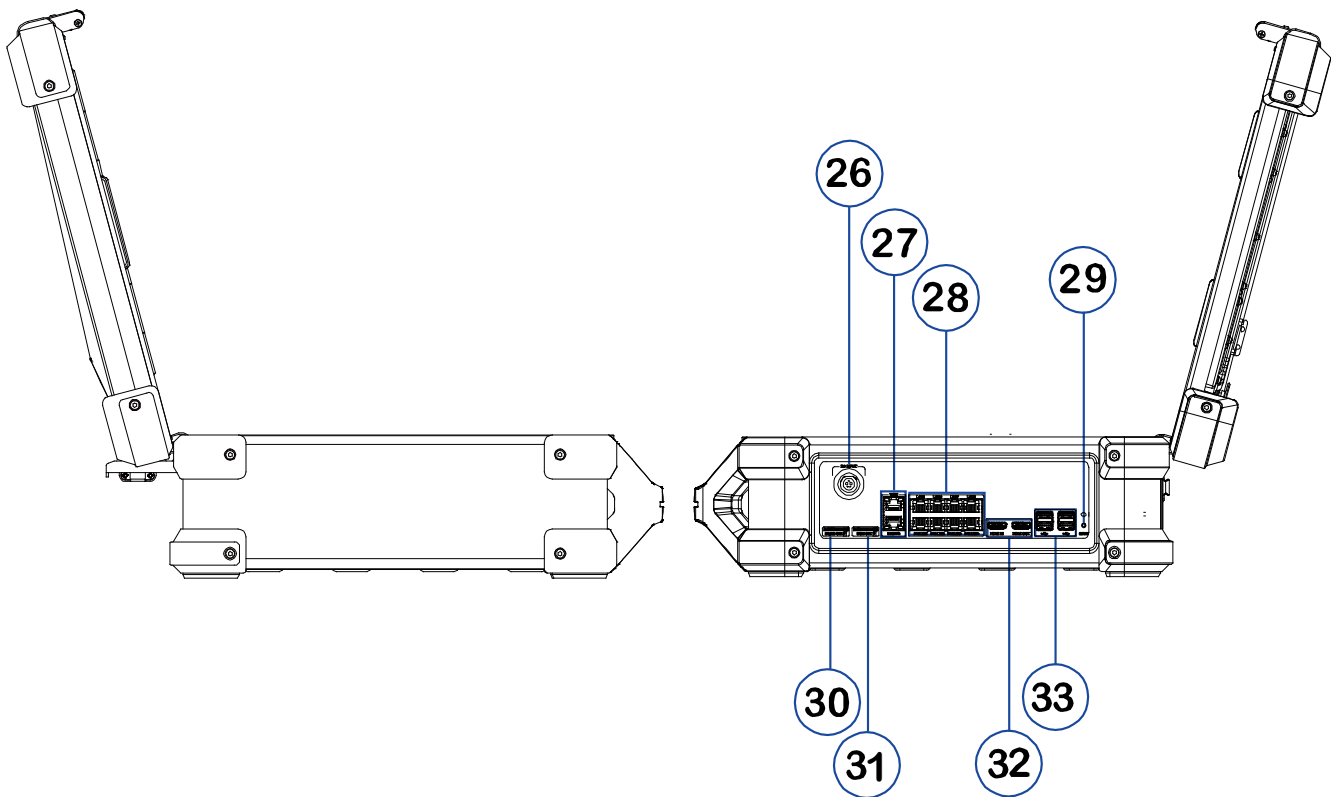
Front and Rear Views



Top View



Left and Right Views

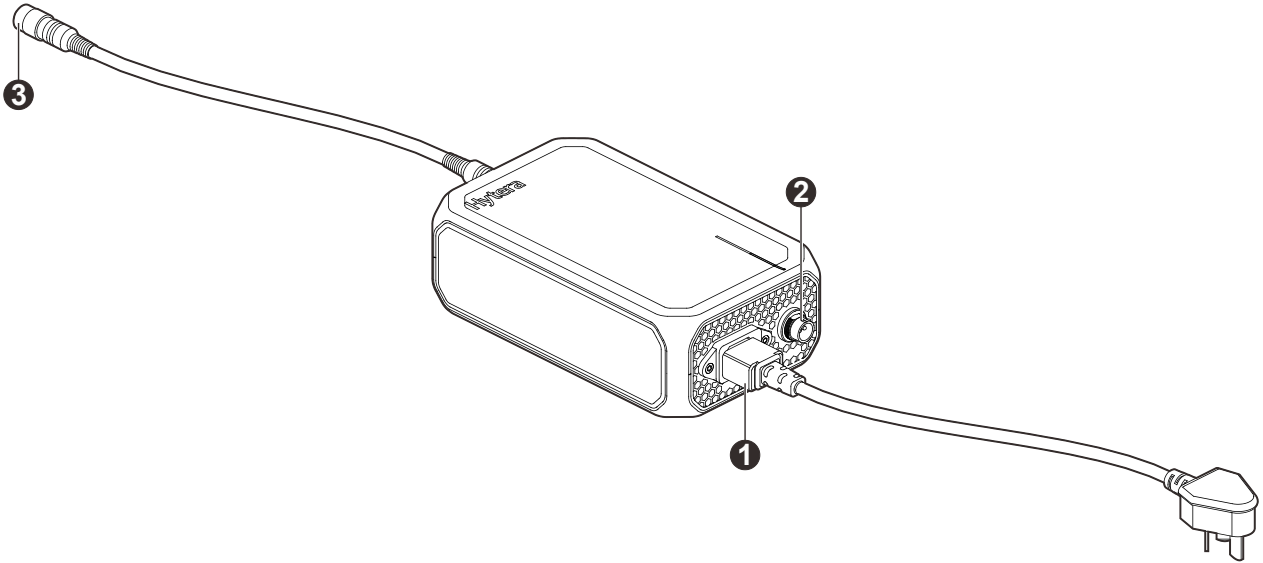


No.	Part Name	Description
1	Left screen	Size: 15.6", resolution: 1920x1080

No.	Part Name	Description
2	Camera	Resolution: 5 Megapixel, 1920x1080 (max); specific parameters are subject to the actual product.
3	Middle screen	Size: 15.6", resolution: 1920x1080
4	Right screen	Size: 15.6", resolution: 1920x1080
5	Battery	13.6 V DC
6	Battery latch	/
7	RUN indicator	<ul style="list-style-type: none"> ● Flashes green every 0.5 second: The device is unauthorized; ● Flashes green every 1 second: The device runs normally; ● Flashes green every 3 seconds: The device is in sleep mode; ● Glows green solidly: The device is in a call.
8	Volume control knob	Increases or decreases the output volume of the device. Presses it to mute or de-mute the device.
9	Palm microphone interface	Connects to the remote speaker microphone.
10	Audio accessory interface	Connects to the microphone and headphone.
11	Microphone array	Built-in microphone
12	Sleep/wake button	Enables the system to enter sleep or wake mode. Or you can press any button to wake a sleeping system.
13	4G enabler	Enables the device to access the network via SIM card. It is the default network access mode.
14	WAN enabler	Enables the device to access the network via an Ethernet cable.
15	Left screen power-saving button	Enables the left screen to enter or exit the power saving mode.
16	Middle screen power-saving button	Enables the middle screen to enter or exit the power saving mode.

No.	Part Name	Description
17	Right screen power-saving button	Enables the right screen to enter or exit the power saving mode.
18	Power switch	Powers on/off the device.
19	Camera joystick	The 3-axis joystick is used to control the monitor angle of an external PTZ camera. You can move the joystick up and down to control the pan, left and right to control the tilt, and rotate the knob to control the zoom.
20	Reserved	/
21	PTT button	Push-to-talk button
22	Keyboard	Full-featured keyboard
23	Right mouse button	/
24	Mouse track button	/
25	Left mouse button	/
26	Power inlet	Input voltage: 11.4–16.8 V DC
27	WAN interfaces	<ul style="list-style-type: none"> ● DEBUG: Commissioning interface ● WAN: 10/100M adaptive interface
28	LAN interfaces	8 X 10/100/1000M adaptive interfaces, with the lower four supporting Power over Ethernet (PoE)
29	Reset button	Press and hold it to restore the device to factory settings.
30	3G/4G SIM card slot	Receives standard 3G/4G SIM cards.
31	HDMI	<ul style="list-style-type: none"> ● Input: 1920x1080
32	USB ports	<ul style="list-style-type: none"> ● Output: 3840x2160 @ 60 Hz 4 X USB3.0 ports.

2.2 Power Adapter



No.	Part Name	Description
1	AC power inlet	Connects to the AC power cord.
2	DC power inlet	Connects to the DC power cord.
3	Output connector	Connects to the power inlet on the main unit or to the charging port of the battery.

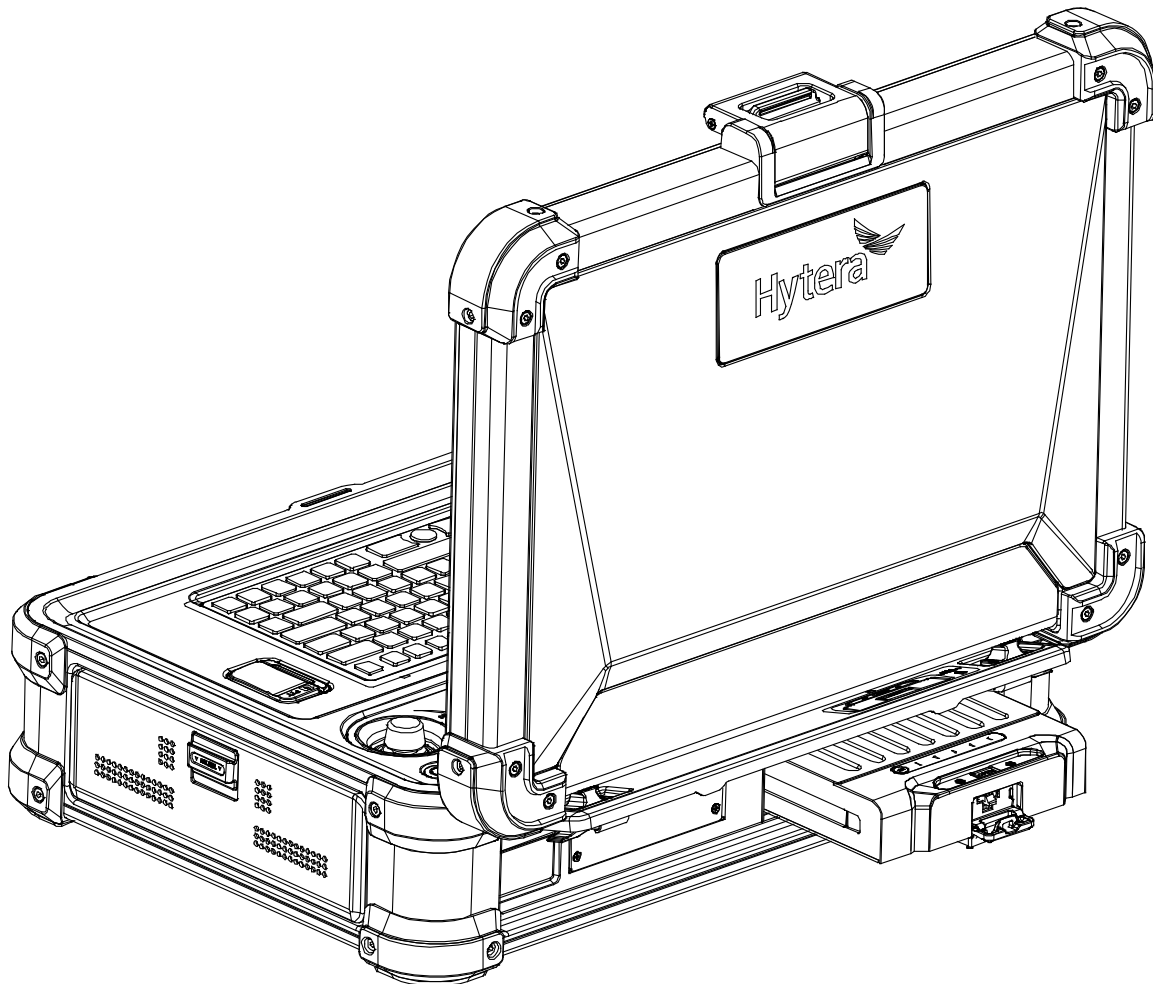
3. Preparation

Note

The figures in this manual are for reference only.

3.1 Attaching the Battery

1. On the back of the main unit, push the two battery latches to the middle at the same time and pull the back cover downwards.
2. Press **OPEN** to unleash the latch;
3. Slide the battery into the battery slot.
4. Close the battery latch to secure the battery.



3.2 Charging

Caution

Charge the battery with the power adapter specified by the Company only.

You can charge the battery separately with the power adapter. Or you can charge the battery when it is attached to the main unit.

1. Connect the output connector of the power adapter to the power inlet of the battery or the main unit.
2. Connect the power adapter to a power socket.
3. Observe the LED battery level indicators on the battery to check the charging status. Each LED represents 20% of the battery capacity.

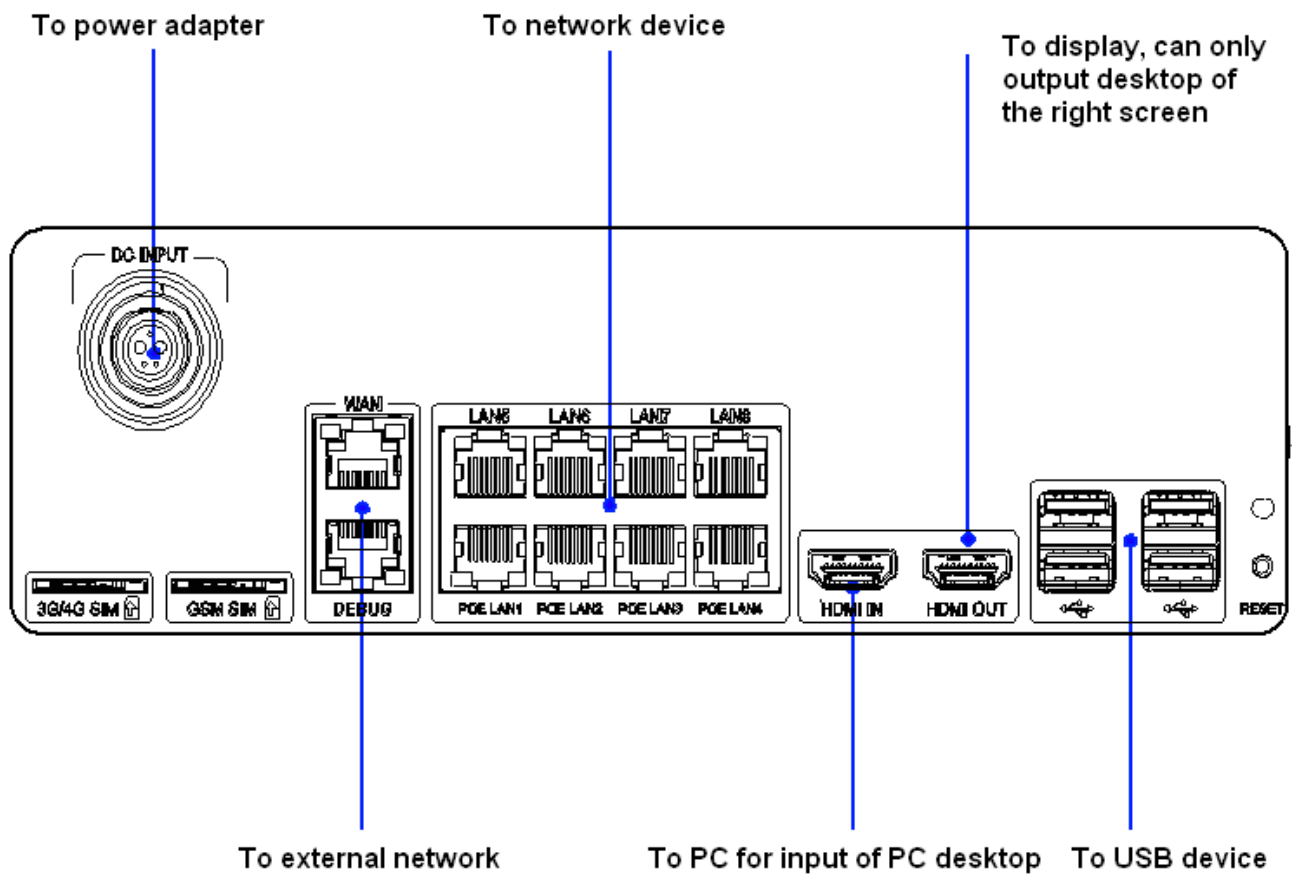
3.3 (Optional) Attaching the SIM Card

A standard SIM card is required if you want to carry services over a 3G/4G link. The GMS link is used to call the mobile; while the 3G/4G link is used to transmit data. To call the mobile, the main unit must be equipped with Hytera dispatch software.

Insert the standard SIM card into the corresponding slot.

3.4 Connecting the Cables

The following figure shows the wiring diagram.



4. Basic Operations

4.1 Unfolding E-center

To unfold the product, do as follows:

1. Lift the cover of the main unit upwards to open it.
 2. Unfold the right screen.
 3. Unfold the left screen.
-

Caution

When folding the E-center screens, fold the left screen first and then the right screen; otherwise, the screens may be damaged.

4.2 Turning On the E-center

Press and hold the power switch for 3 seconds to turn the E-center on. If the RUN indicator flashes green every 1 seconds, the E-center runs normally.

Note

If the device is installed with a battery, it is powered by the battery. Even when the device is powered by an external power supply, the battery level should be at least 5%; otherwise, the device may fail to be powered on.

4.3 Turning Off the E-center

If you want to turn off the device, go to **Start** menu.

5. Basic Services

Without a dispatch software installed, the E-center functions like a laptop. To experience rich dispatch features, you need to install Hytera Emergency Integration Platform (EIP). For details, refer to the corresponding guide.

This chapter mainly describes the features of E-center.

5.1 Call Services

Select a contact in the EIP and then press the **PTT** button of the main unit.

 **Note**

If a remote speaker microphone is available, you can initiate the call by selecting the contact in the EIP and then pressing the **PTT** button of the remote speaker microphone.

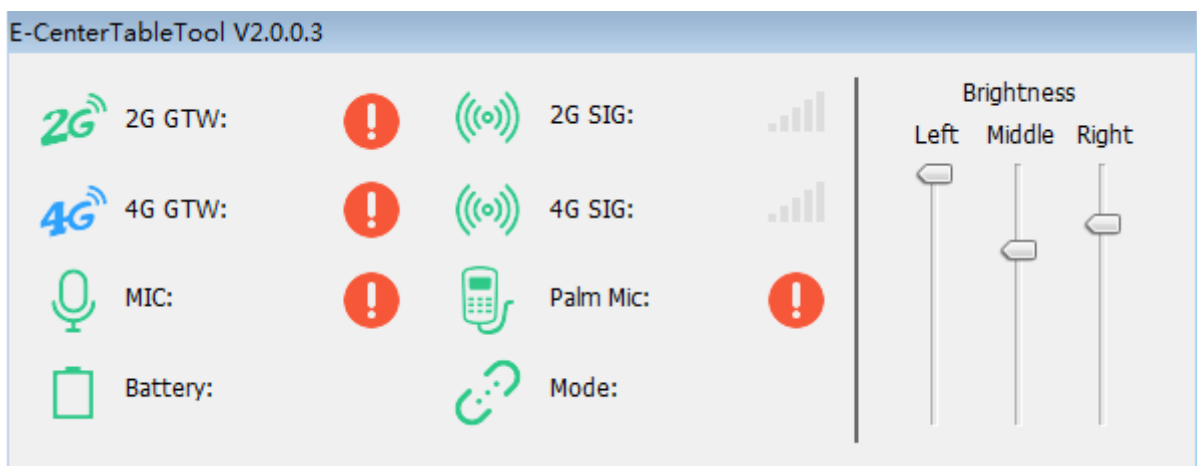
5.2 Topology Manager



With E-CenterTableTool that comes with the E-center, you can view the status of various modules of the E-center and adjust the brightness of the screens.












 **Note**

You are advised not to close the E-CenterTableTool; otherwise, some functions may be exceptional or unavailable.

After the E-center is turned on, the following interface appears at the lower right corner of the middle screen. The following table describes the meanings of the respective icons.



Icon	Status Description
4G GWT	<ul style="list-style-type: none">  : No SIM card found.  : SIM card ready. The stronger the signal, the more the bars.

Icon	Status Description
MIC	<ul style="list-style-type: none"> ●  : Microphone is not connected. ●  : Microphone is connected.
Battery	<ul style="list-style-type: none"> ●  : Charging. ●  : The battery level is lower than 14%. ●  : The battery level is between 15% and 29%. ●  : The battery level is between 30% and 54%. ●  : The battery level is between 55% and 79%. ●  : The battery level is between 80% and 94%. ●  : The battery level is higher than 95%.
Mode	<ul style="list-style-type: none"> ●  : Cable network. ●  : 4G network.

6. Troubleshooting

Phenomena	Possible Cause	Solution
The device fails to be turned on.	The cable connection is improper or the battery runs out.	Ensure that the power cord is connected properly. Make sure that the battery level is at least 5%.

If the above solutions cannot fix your problems, or you may have some other queries, please contact us or your local dealer for more technical support.

7. Care and Cleaning

To guarantee optimal performance as well as a long service life of the product, please follow the tips below.

Care

- Do not pierce, strike, throw, or scrape the product.
- Keep the product away from substances that can corrode its circuitry.
- Keep the product dry.
- Keep the product far away from overheating, which may shorten lifespan of the electronic parts, or even distort or melt the plastic parts.
- Keep the product far away from extreme cold. Otherwise, the circuit board may be damaged by vapor generated when the product temperature rises to normal degrees.

Cleaning

Caution

Cut off the power supply before cleaning.

- Clean up the dust and fine particles on the product surface and charging piece with a clean and dry lint-free cloth or a brush regularly.
- Use a non-woven cloth with neutral cleanser to clean the device after long-time use. Do not use chemical preparations such as stain removers, alcohol, sprays or oil preparations, so as to avoid potential damage on the surface.
- Make sure the product is completely dry before use.

8. Optional Accessories

For details about main accessories for the product, contact your local dealer or call 400-830-7020.

Caution

Use the accessories specified by the Company only. Otherwise, the Company shall not be liable for any losses or damages arising out of use of unauthorized accessories.

9. Warranty

Commencing on the date of purchase and within the contract warranty obligations, Hytera will be responsible for any faulty parts under normal use and service.

Main unit	12 months
Battery	12 months
Power adapter	12 months

FCC Statement

This equipment has been tested and found to comply with the limits for a Class B digital device, pursuant to part 15 of FCC Rules. These limits are designed to provide reasonable protection against harmful interference in a residential installation. This equipment generates and can radiate radio frequency energy. If not installed and used in accordance with the instructions, it may cause harmful interference to radio communications. However, there is no guarantee that interference will not occur in a particular installation. Verification of harmful interference by this equipment to radio or television reception can be determined by turning it off and then on. The user is encouraged to try to correct the interference by one or more of the following measures:

- Reorient or relocate the receiving antenna. Increase the separation between the equipment and receiver.
- Connect the equipment into an outlet on a different circuit to that of the receiver's outlet.
- Consult the dealer or an experienced radio/TV technician for help.

Operation is subject to the following two conditions:

- This device may not cause harmful interference.
- This device must accept any interference received, including interference that may cause undesired operation.

Note: Any changes or modifications to this unit not expressly approved by the party responsible for compliance could void the user's authority to operate the equipment.

FCC Radiation Exposure Statement

This equipment complies with FCC radiation exposure limits set forth for an uncontrolled environment .

This transmitter must not be co - located or operating in conjunction with any other antenna or transmitter. This equipment should be installed and operated with minimum distance 20cm between the radiator& your body.

ISED Statement

This device complies with Innovation, Science and Economic Development Canada Compliance license-exempt RSS standard(s). Operation is subject to the following two conditions:

- This device may not cause harmful interference.
- This device must accept any interference received, including interference that may cause undesired operation.

Le présent appareil est conforme aux CNR d'Industrie Canada applicables aux appareils radio exempts de licence.

L'exploitation est autorisée aux deux conditions suivantes: (1) l'appareil ne doit pas produire de brouillage, et (2) l'utilisateur de l'appareil doit accepter tout brouillage radioélectrique subi, même si le brouillage est susceptible d'en compromettre le fonctionnement

ISED Radiation Exposure Statement:

This device must be restricted to work related operations in an uncontrolled RF exposure Environment.

This equipment should be installed and operated with minimum distance 20cm between the antenna & your body.

ISED exposition aux radiations:

Ce dispositif doit être limité aux opérations liées au travail dans un environnement d'exposition RF professionnel/uncontrôlé. Cet équipement doit être installé et utilisé avec un minimum de 20cm de distance entre le antenne et votre corps.

RF Exposure Compliance and Control Guidelines and Operating Instructions

To control your exposure and ensure compliance with the uncontrolled environmental exposure limits, always adhere to the following procedures.

Guidelines:

- Do not remove the RF Exposure Label from the device.
- User awareness instructions should accompany device when transferred to other users.
- Do not use this device if the operational requirements described herein are not met.

Operating Instructions:

- Use of non-approved antennas, batteries, and accessories causes the radio to exceed the FCC RF exposure guidelines.
- Contact your local dealer for the optional accessories of the product.



is the trademark or registered trademark of Hytera Communications Corporation Limited.

© 2019 Hytera Communications Corporation Limited. All Rights Reserved.

Address: Hytera Tower, Hi-Tech Industrial Park North, 9108 # Beihuan Road, Nanshan District, Shenzhen, People's Republic of China
Postcode: 518057

<http://www.hytera.com>