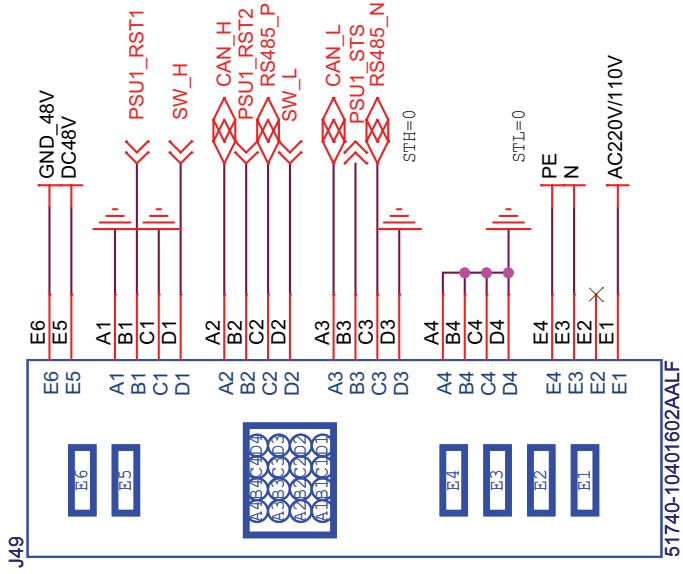
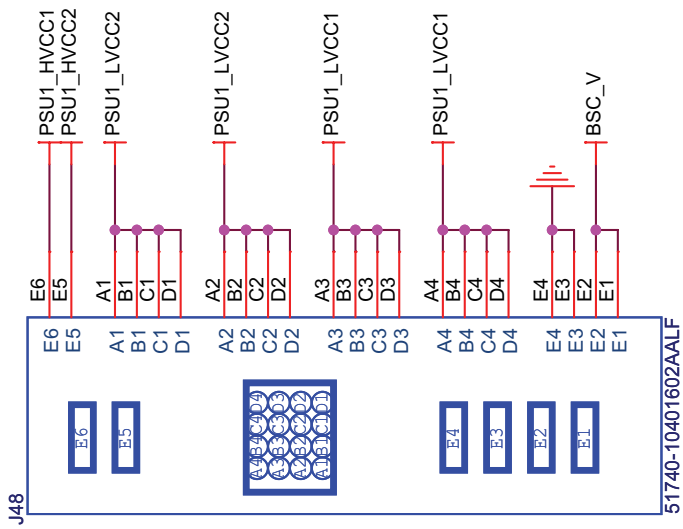


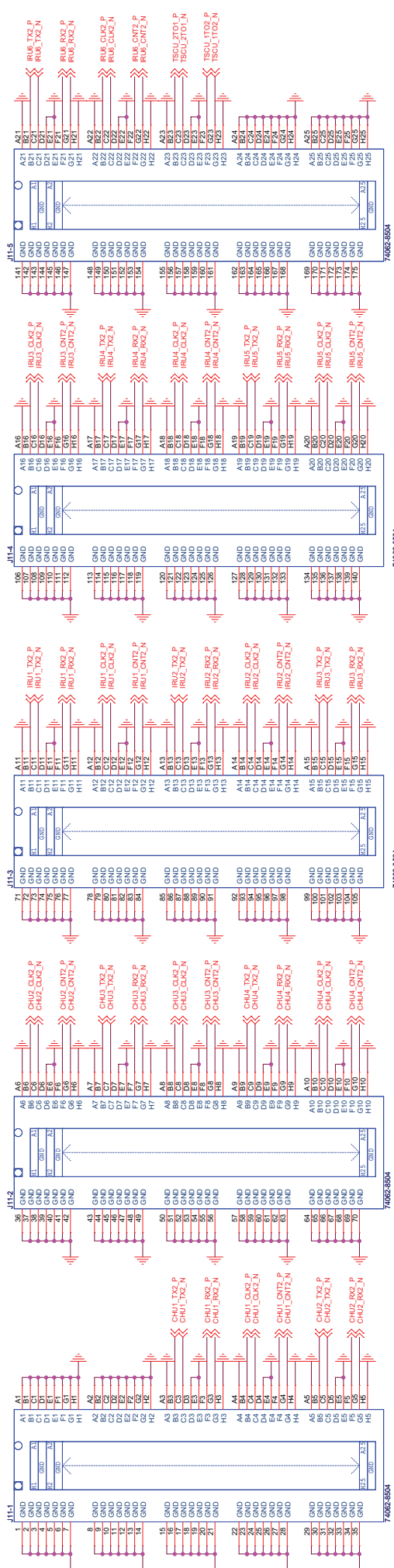
D3	D4
STH	STL
0	0



1  
2  
3  
4  
5

D

C

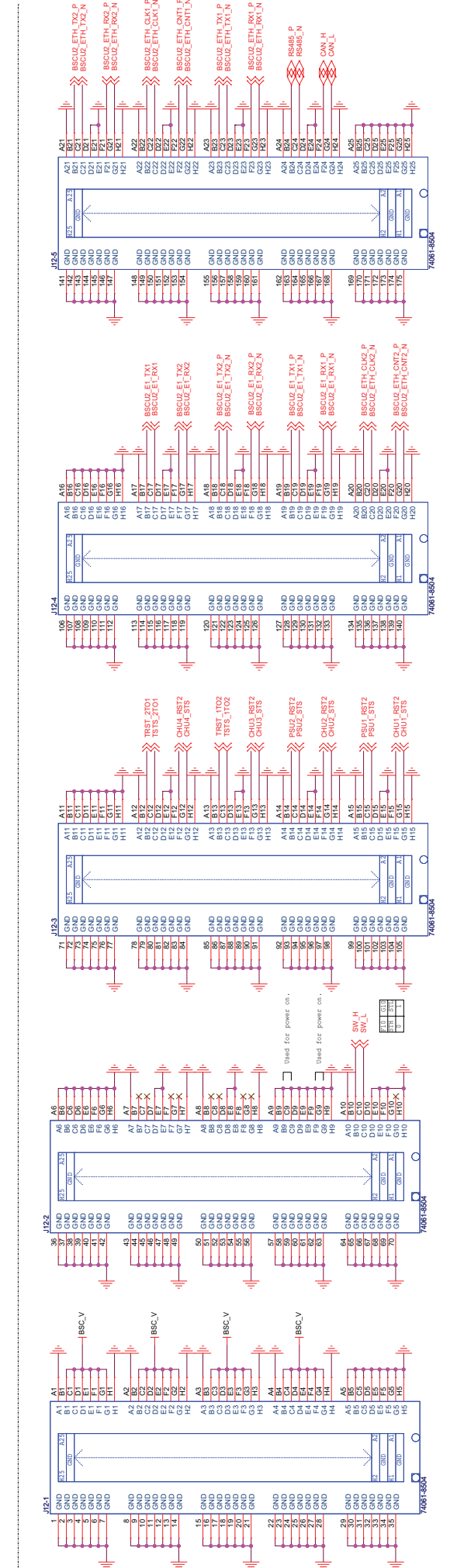


D

C

B

A



B

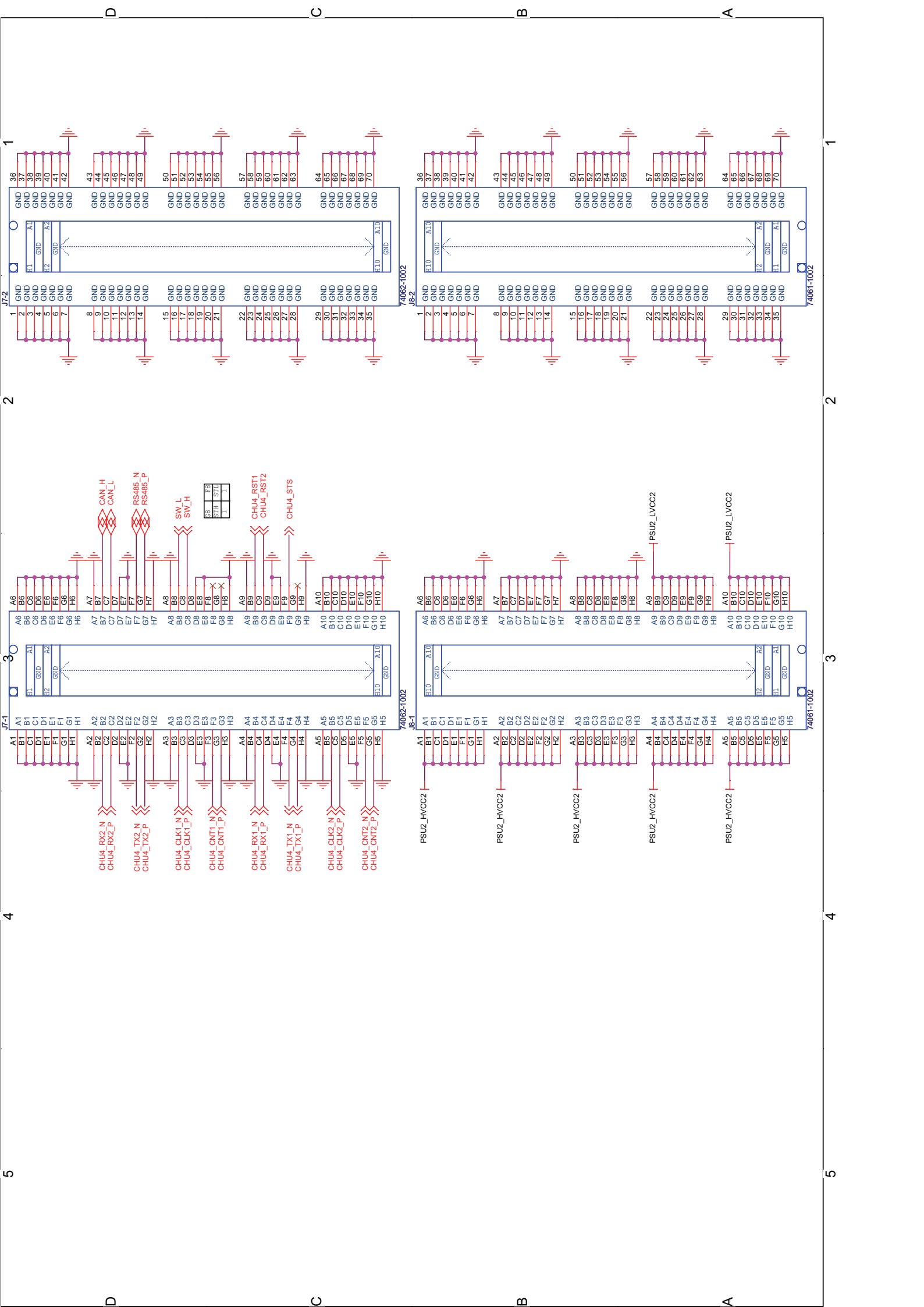
A

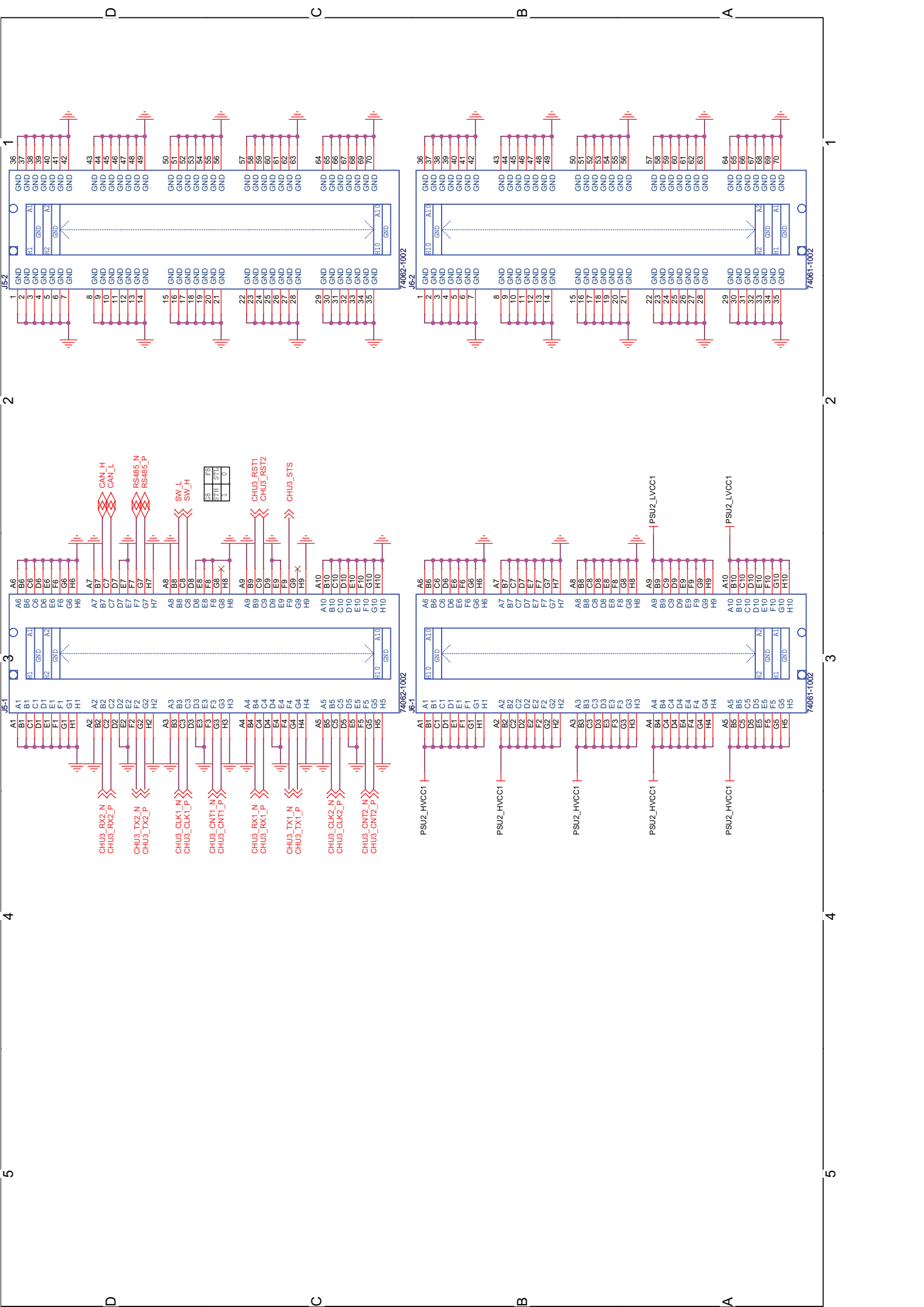
1  
2  
3  
4  
5

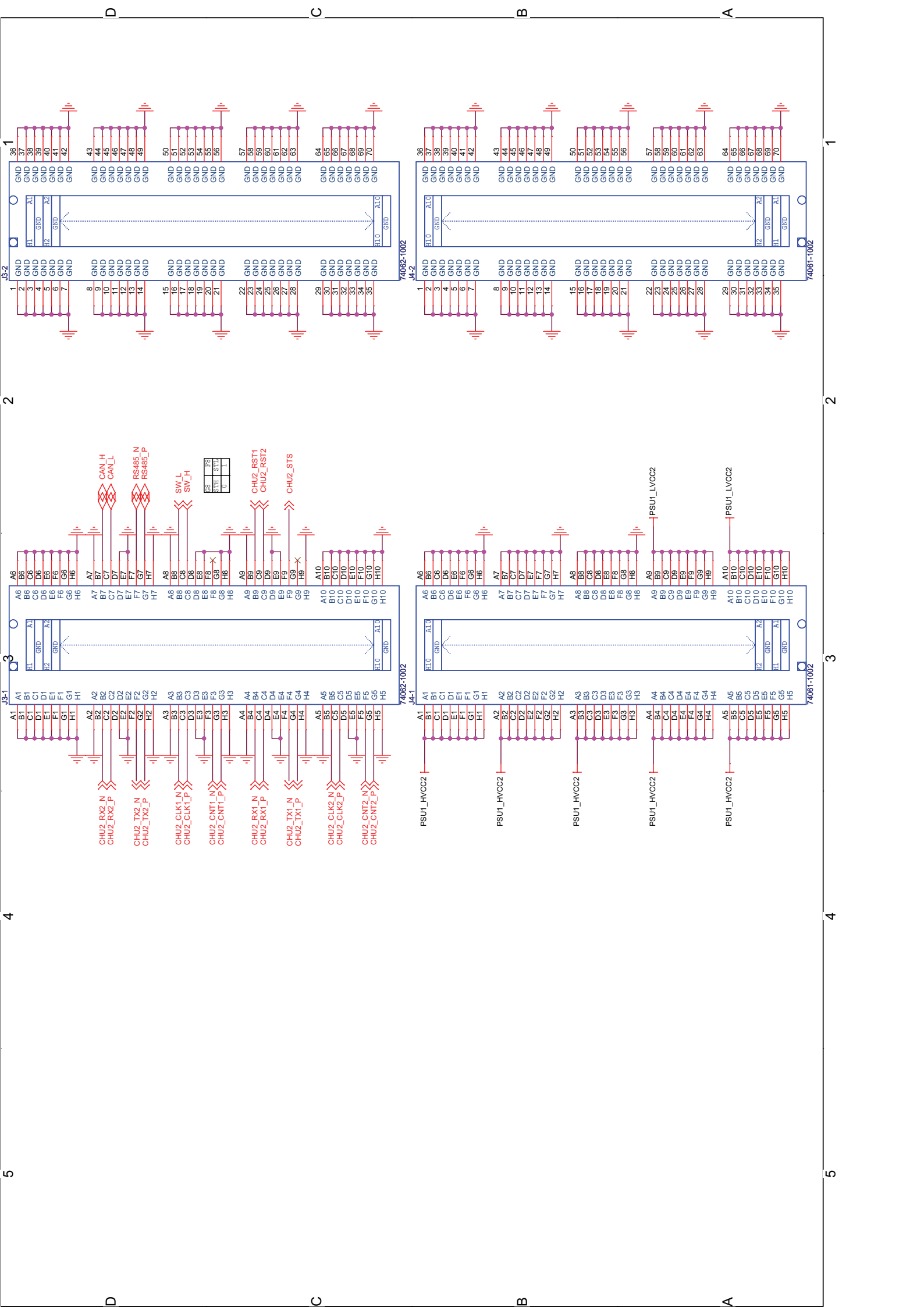
D

C

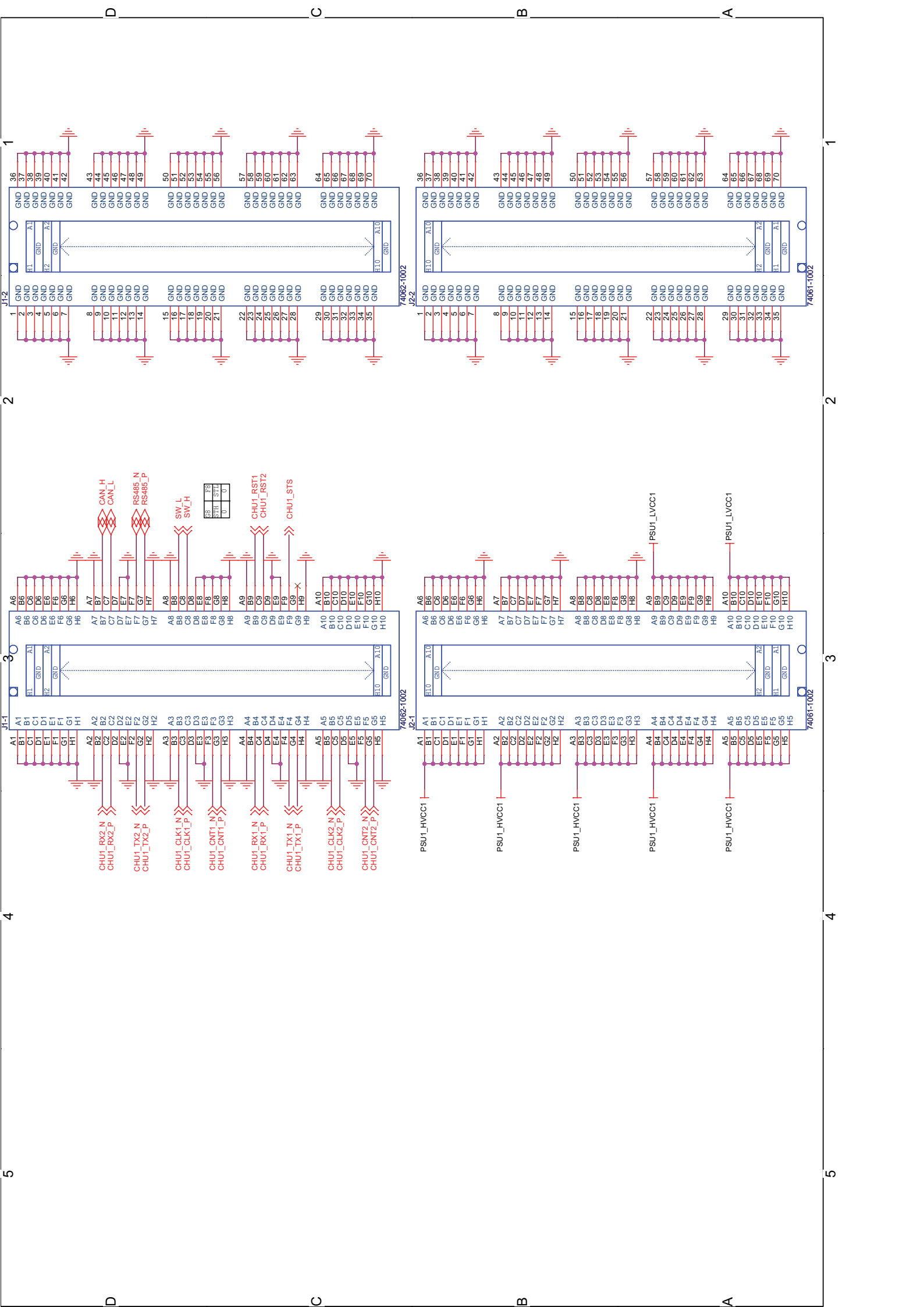






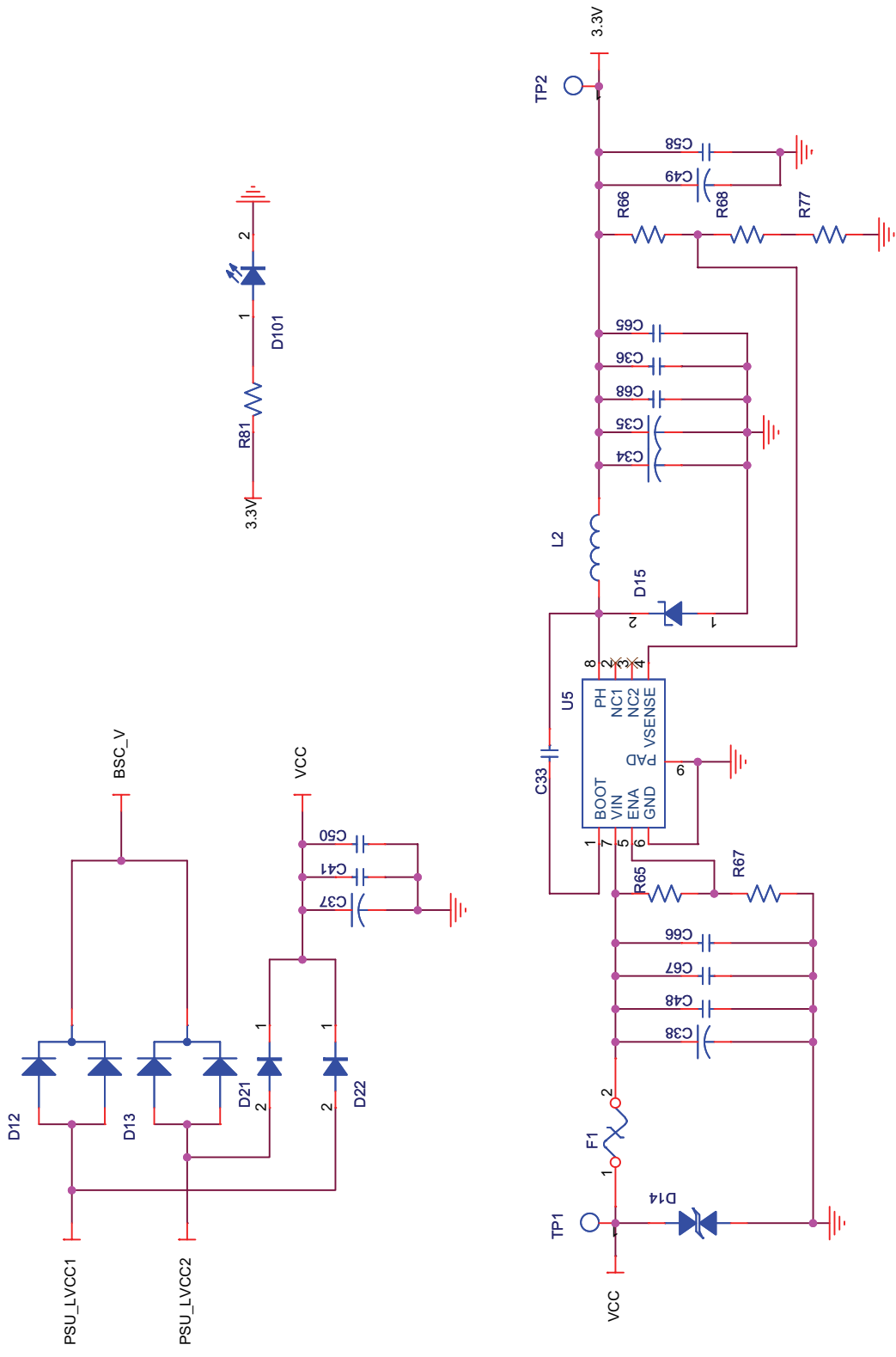




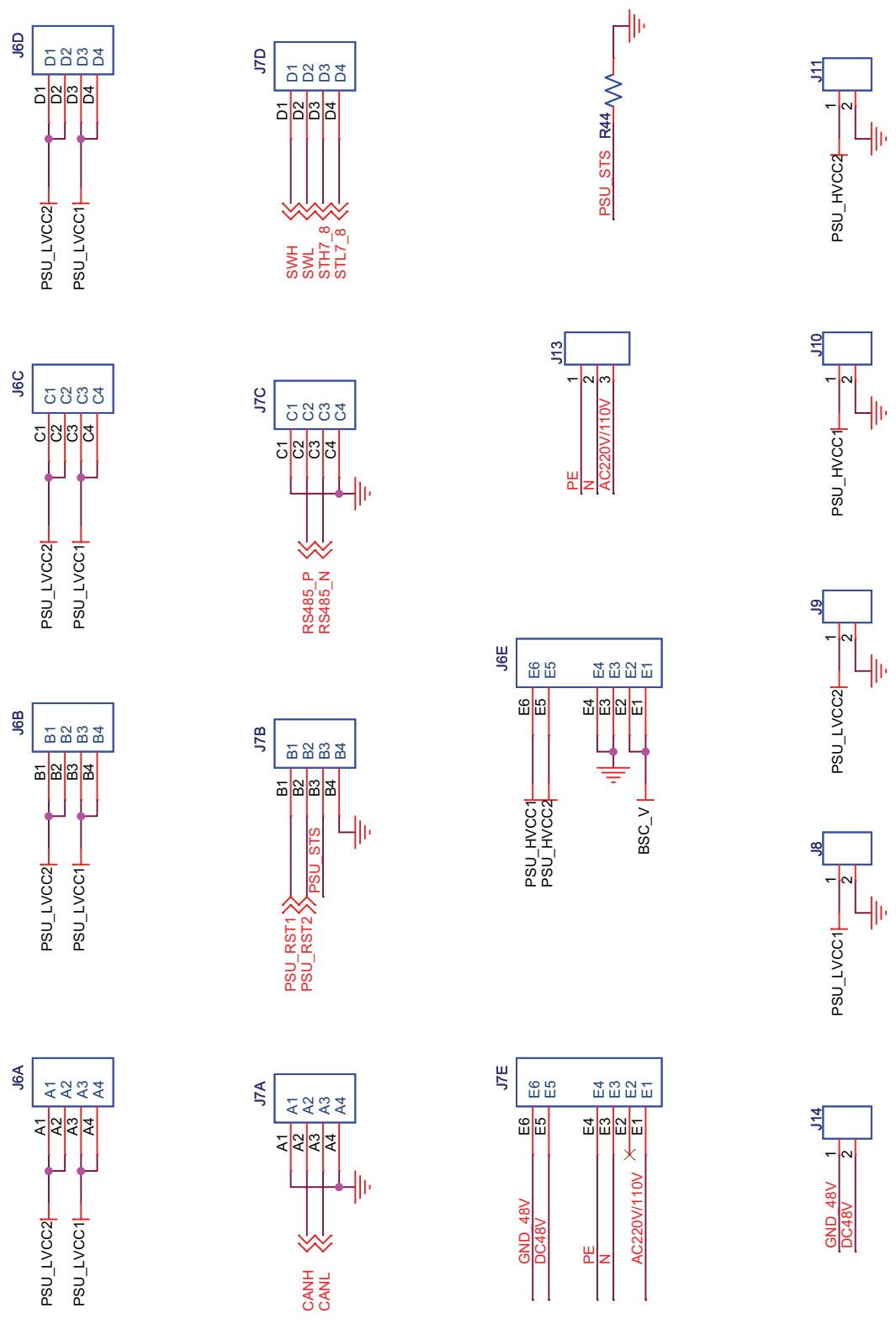


# 3.Schematic Diagram

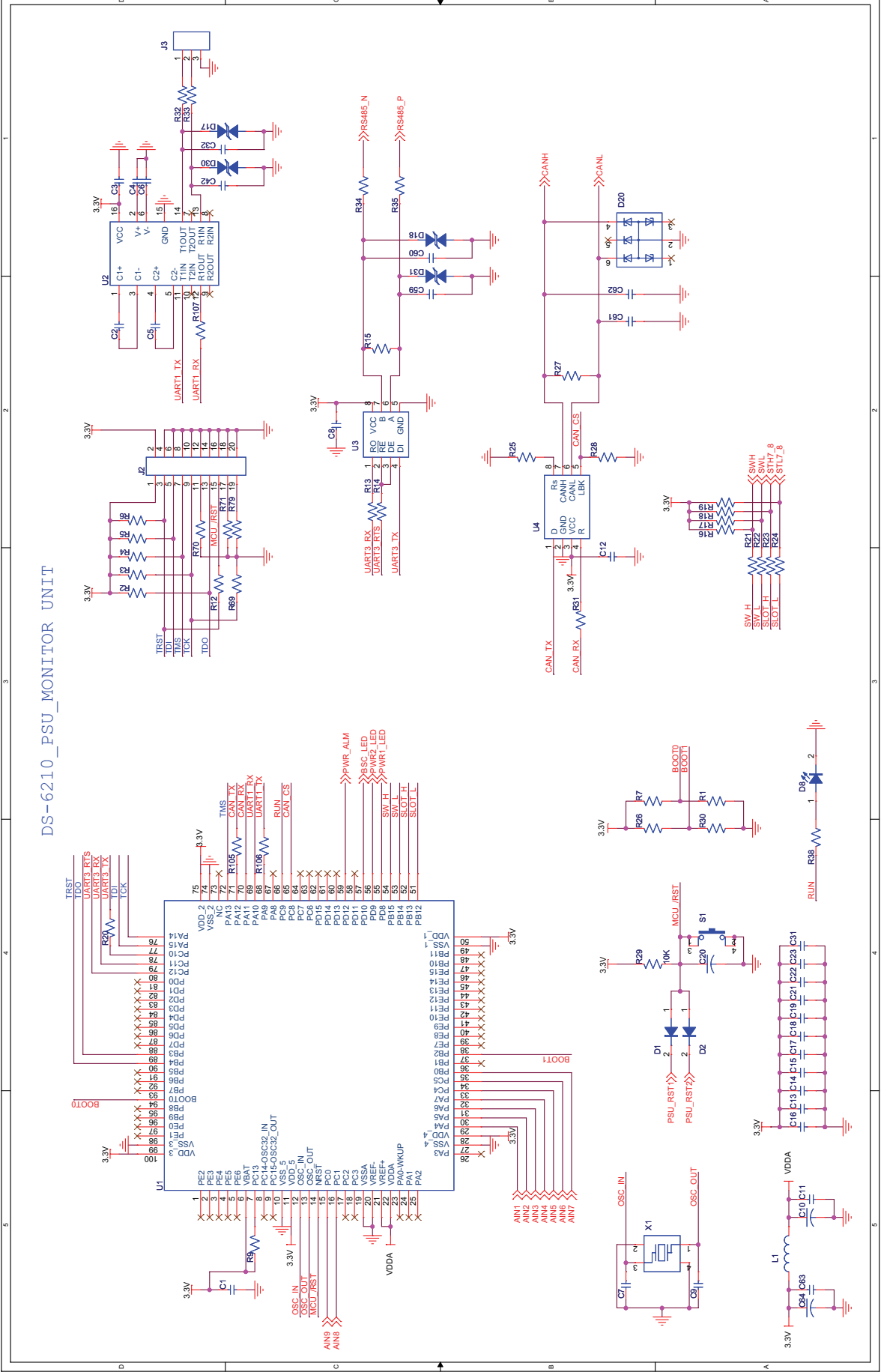
## DS-6210\_PSU\_MONITOR UNIT



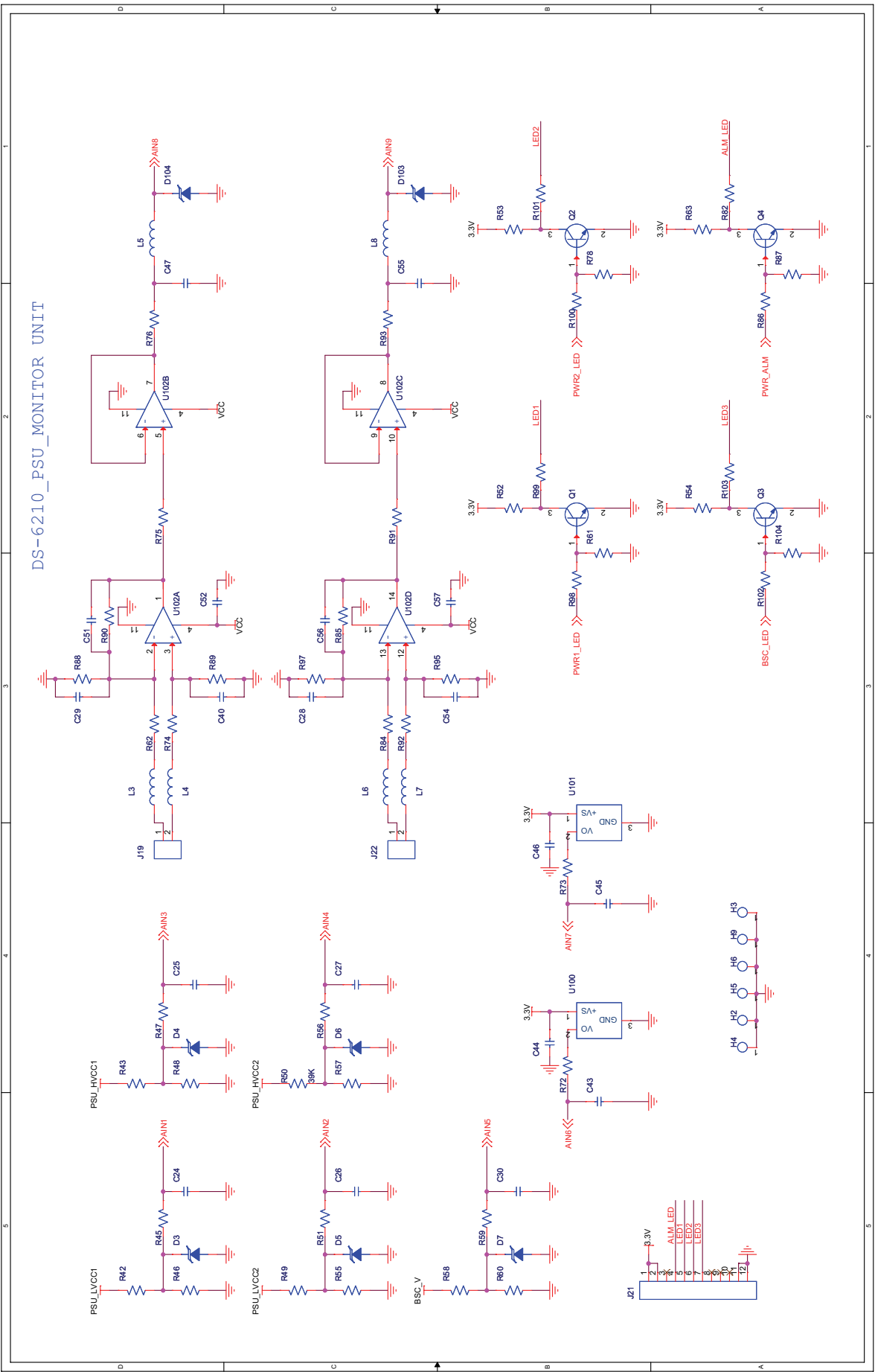
# DS-6210\_PSU\_MONITOR UNIT



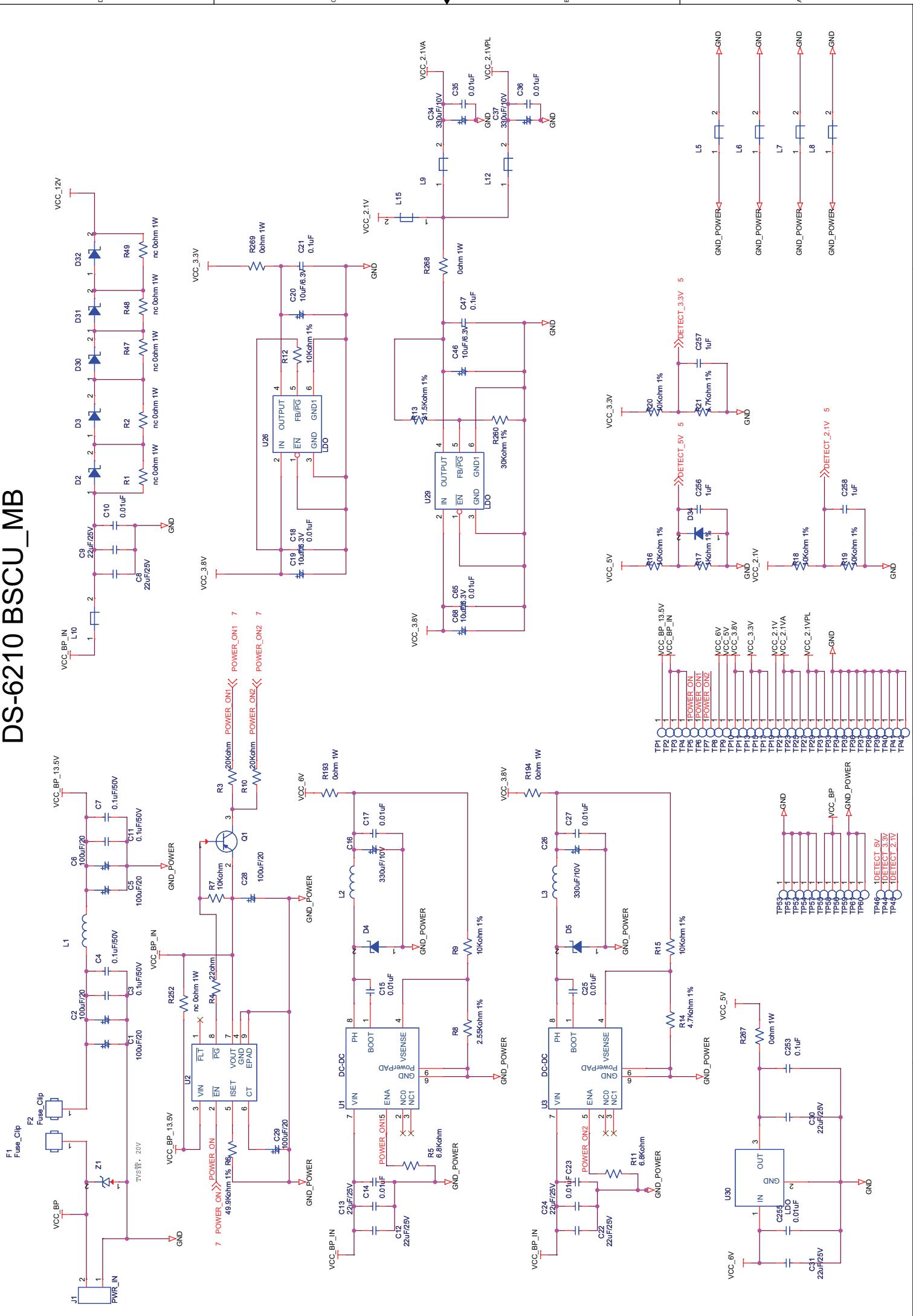
# DS-6210\_PSU\_MONITOR\_UNIT

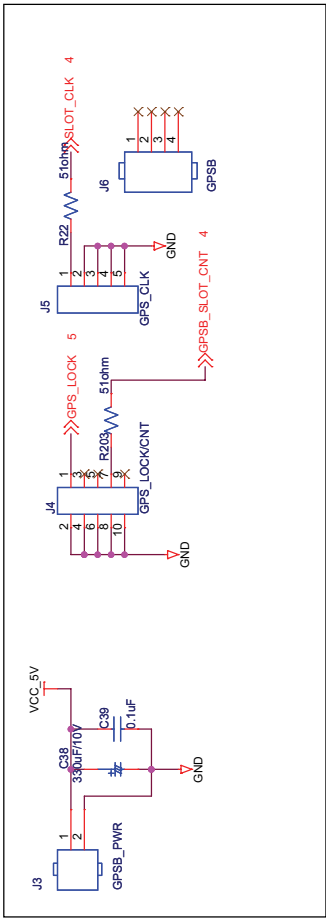


# DS-6210\_PSU\_MONITOR\_UNIT

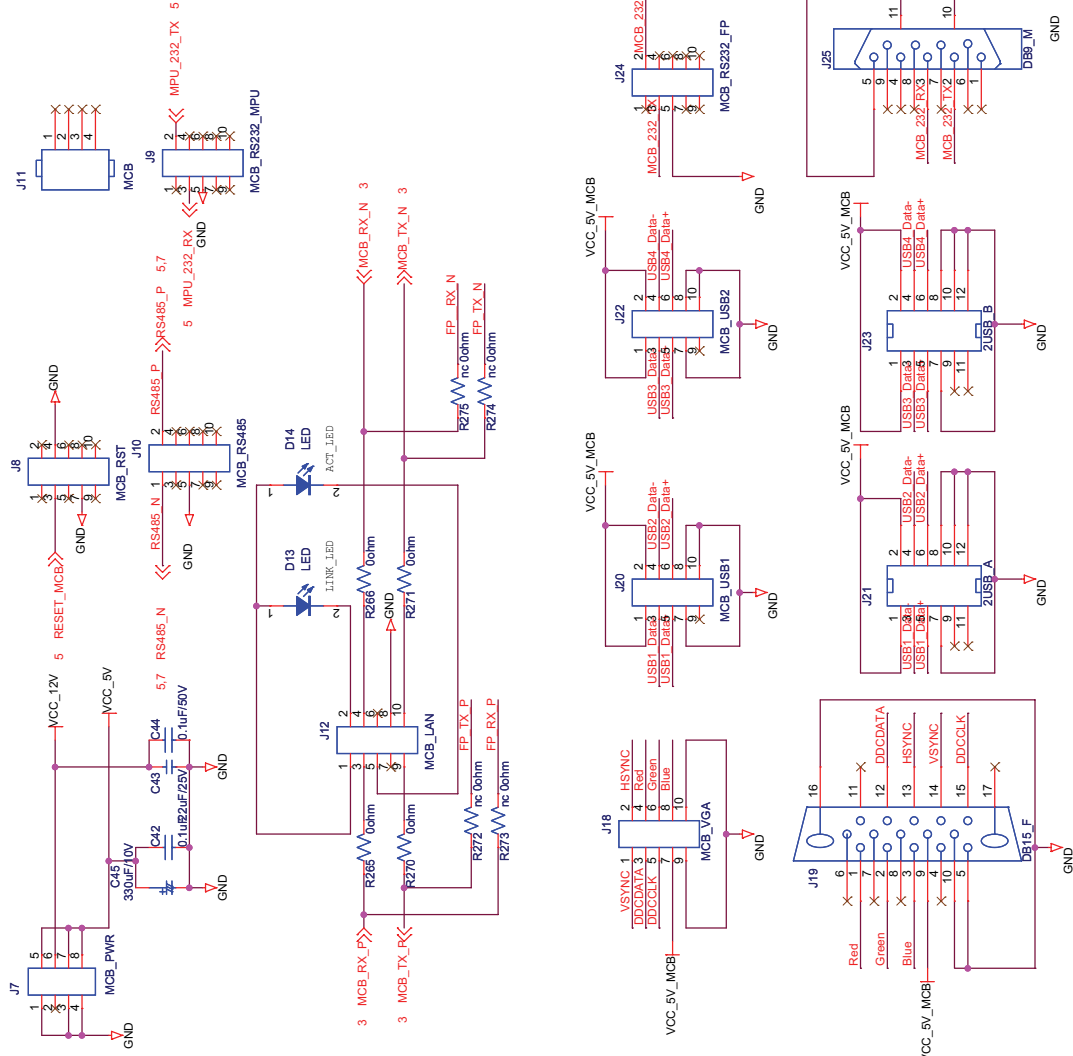


# DS-6210 BSCU\_MB

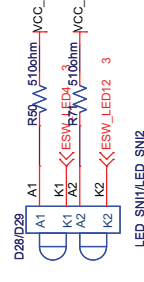
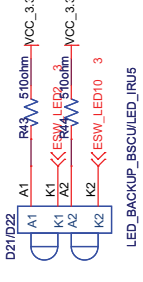
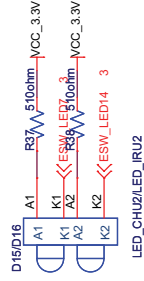
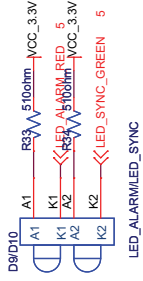
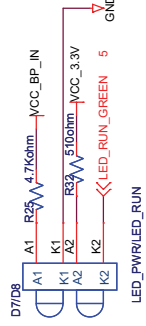
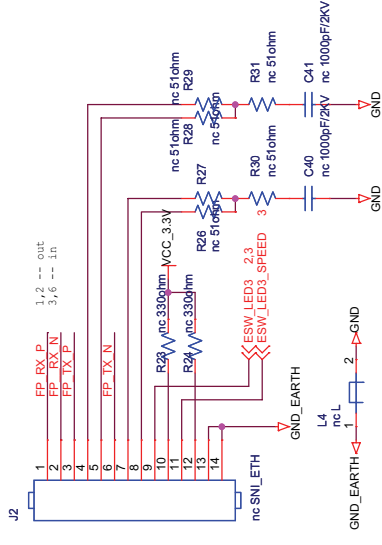




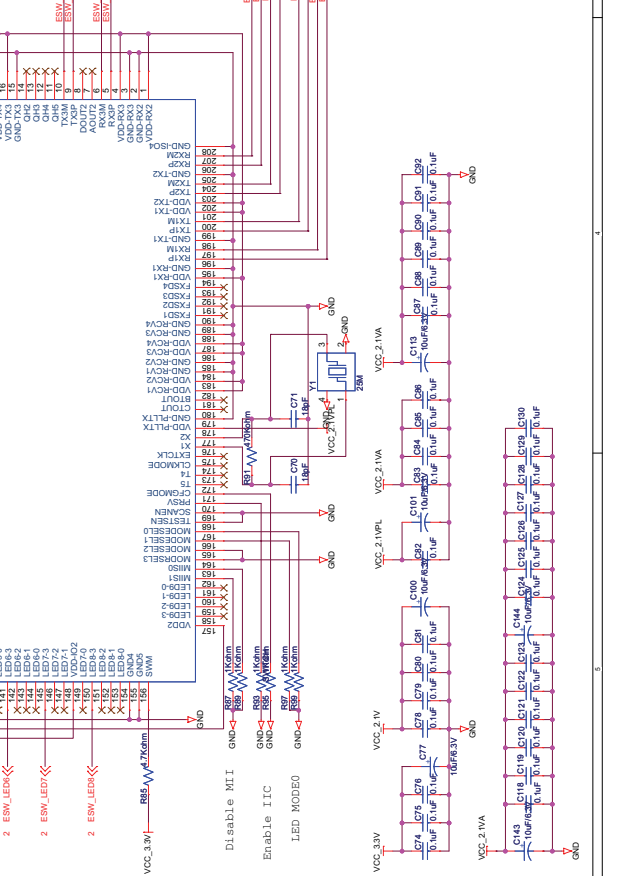
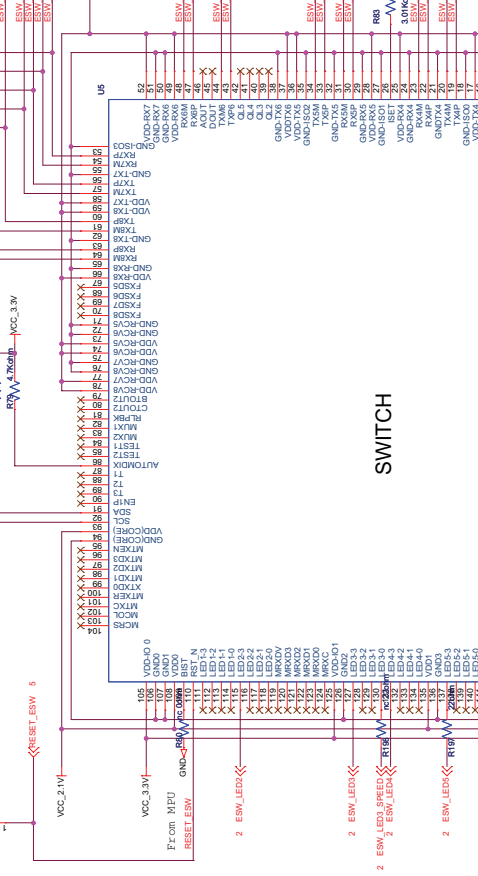
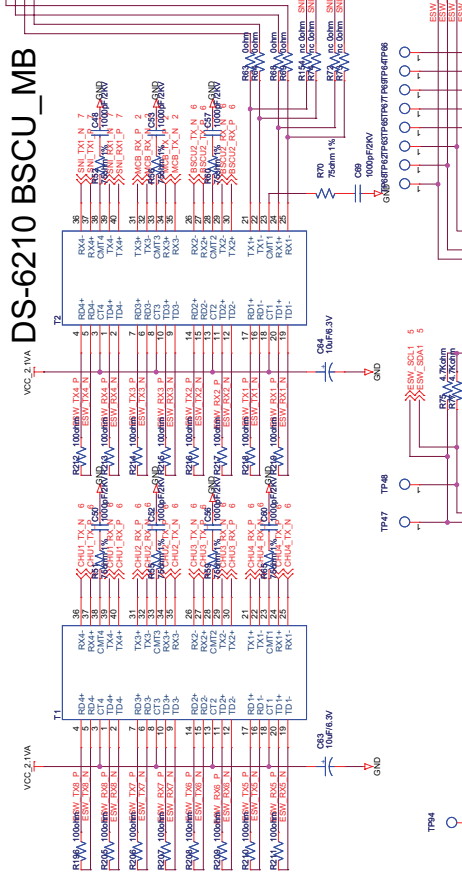
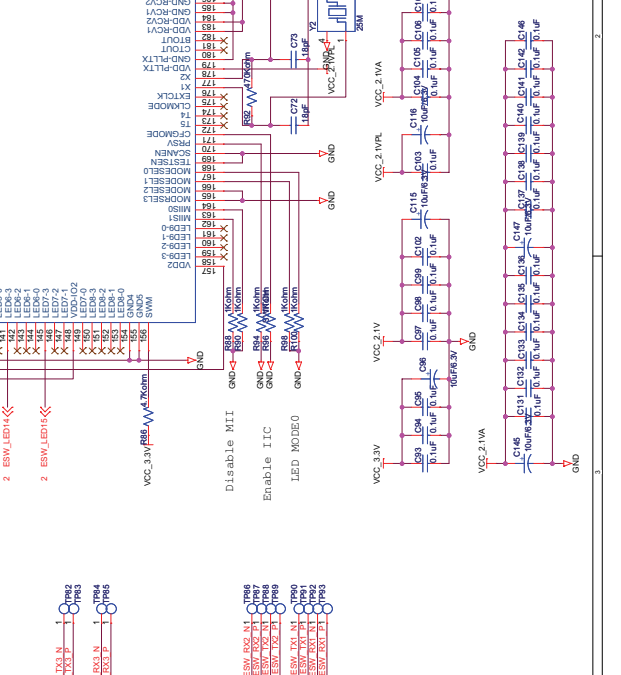
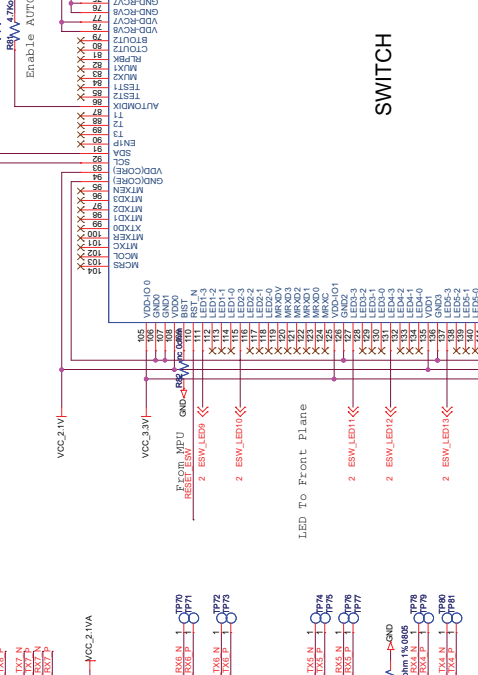
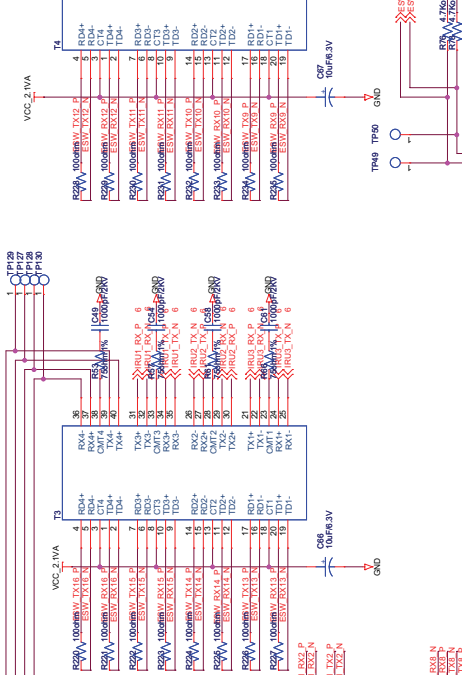
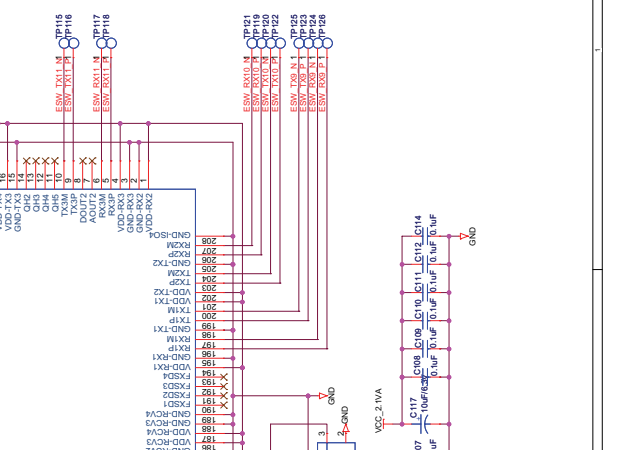
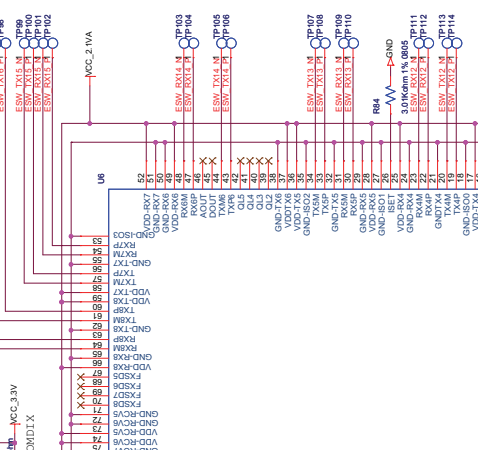
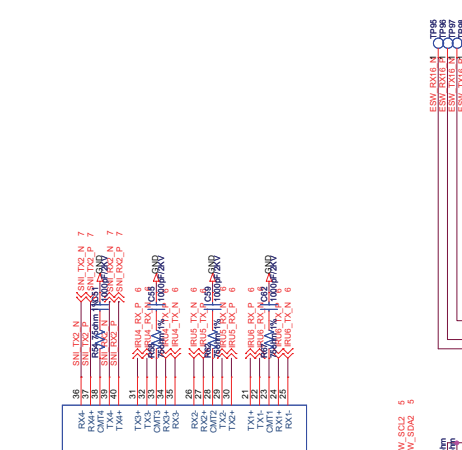
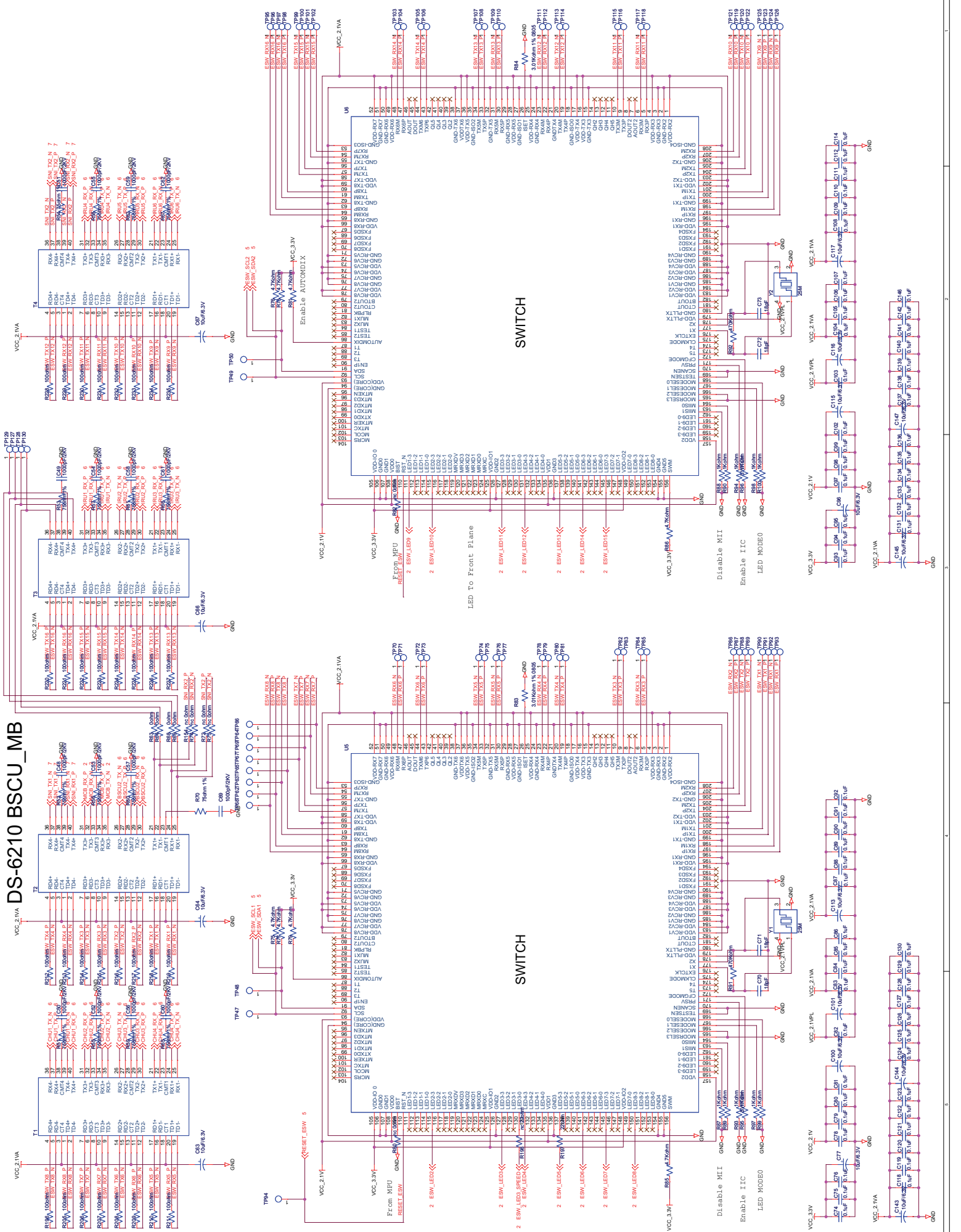
MCB



DS-6210 BSCU\_MB

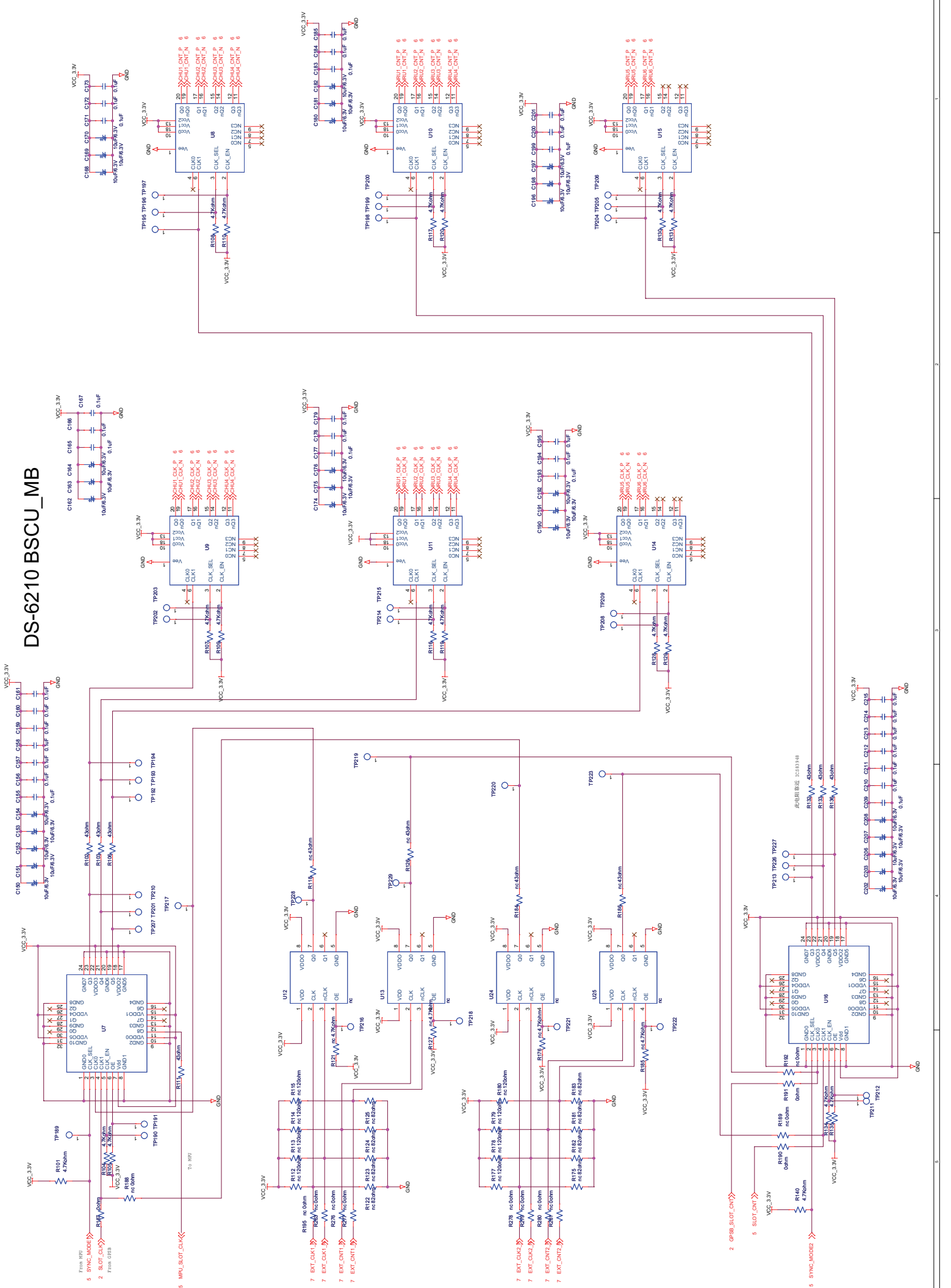


# DS-6210 BSCU\_MB





# DS-6210 BSCU\_MB



From MPU

- 5 SYNC\_MODEB
- 2 SLOT\_CLK

From DSP

- 7 EXT\_CLK1
- 7 EXT\_CLK2
- 7 EXT\_CLK3
- 7 EXT\_CLK4
- 7 EXT\_CLK5
- 7 EXT\_CLK6
- 7 EXT\_CLK7

From MPU\_SLOT\_CLK

- 5 MPU\_SLOT\_CLK

From MPU\_SLOT\_CLK

- 6 MPU\_SLOT\_CLK

From MPU\_SLOT\_CLK

- 6 MPU\_SLOT\_CLK

From MPU\_SLOT\_CLK

- 6 MPU\_SLOT\_CLK

From MPU\_SLOT\_CLK

- 6 MPU\_SLOT\_CLK

From MPU\_SLOT\_CLK

- 6 MPU\_SLOT\_CLK

From MPU\_SLOT\_CLK

- 6 MPU\_SLOT\_CLK

From MPU\_SLOT\_CLK

- 6 MPU\_SLOT\_CLK

From MPU\_SLOT\_CLK

- 6 MPU\_SLOT\_CLK

From MPU\_SLOT\_CLK

- 6 MPU\_SLOT\_CLK

From MPU\_SLOT\_CLK

- 6 MPU\_SLOT\_CLK

From MPU\_SLOT\_CLK

- 6 MPU\_SLOT\_CLK

From MPU\_SLOT\_CLK

- 6 MPU\_SLOT\_CLK

From MPU\_SLOT\_CLK

- 6 MPU\_SLOT\_CLK

From MPU\_SLOT\_CLK

- 6 MPU\_SLOT\_CLK

From MPU\_SLOT\_CLK

- 6 MPU\_SLOT\_CLK

From MPU\_SLOT\_CLK

- 6 MPU\_SLOT\_CLK

From MPU\_SLOT\_CLK

- 6 MPU\_SLOT\_CLK

From MPU\_SLOT\_CLK

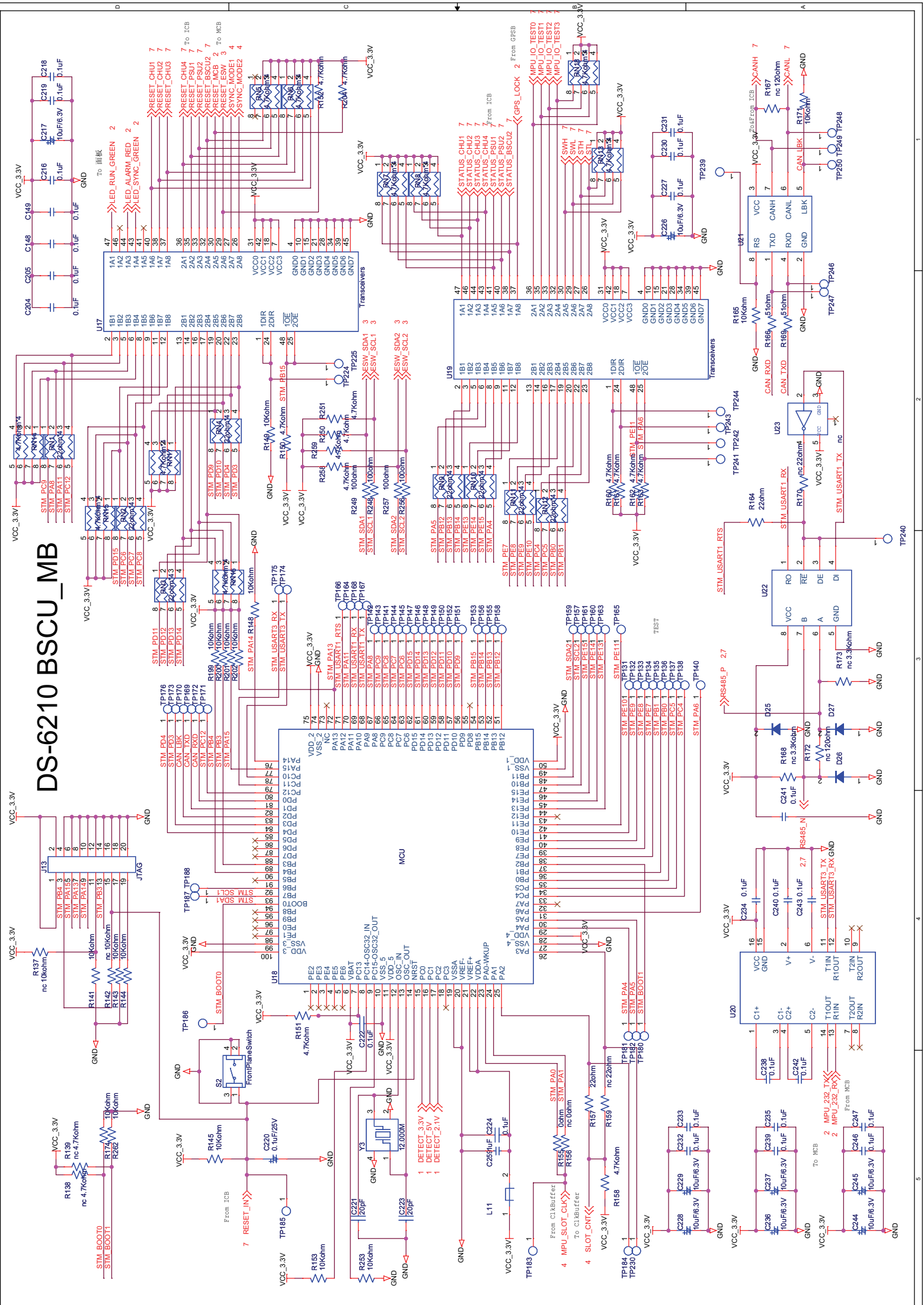
- 6 MPU\_SLOT\_CLK

From MPU\_SLOT\_CLK

- 6 MPU\_SLOT\_CLK

From MPU\_SLOT\_CLK

# DS-6210 BSCU\_MB



VCC\_3.3V  
R138 4.7kOhm  
R139 4.7kOhm  
R141 10kOhm  
R142 10kOhm  
R143 10kOhm  
R144 10kOhm

J13  
STM PB4 3  
STM PB5 4  
STM PB6 5  
STM PB7 6  
STM PB8 7  
STM PB9 8  
STM PB10 9  
STM PB11 10  
STM PB12 11  
STM PB13 12  
STM PB14 13  
STM PB15 14  
STM PB16 15  
STM PB17 16  
STM PB18 17  
STM PB19 18  
STM PB20 19  
STM PB21 20  
STM PB22 21  
STM PB23 22  
STM PB24 23  
STM PB25 24  
STM PB26 25  
STM PB27 26  
STM PB28 27  
STM PB29 28  
STM PB30 29  
STM PB31 30  
STM PB32 31  
STM PB33 32  
STM PB34 33  
STM PB35 34  
STM PB36 35  
STM PB37 36  
STM PB38 37  
STM PB39 38  
STM PB40 39  
STM PB41 40  
STM PB42 41  
STM PB43 42  
STM PB44 43  
STM PB45 44  
STM PB46 45  
STM PB47 46  
STM PB48 47  
STM PB49 48  
STM PB50 49  
STM PB51 50  
STM PB52 51  
STM PB53 52  
STM PB54 53  
STM PB55 54  
STM PB56 55  
STM PB57 56  
STM PB58 57  
STM PB59 58  
STM PB60 59  
STM PB61 60  
STM PB62 61  
STM PB63 62  
STM PB64 63  
STM PB65 64  
STM PB66 65  
STM PB67 66  
STM PB68 67  
STM PB69 68  
STM PB70 69  
STM PB71 70  
STM PB72 71  
STM PB73 72  
STM PB74 73  
STM PB75 74  
STM PB76 75  
STM PB77 76  
STM PB78 77  
STM PB79 78  
STM PB80 79  
STM PB81 80  
STM PB82 81  
STM PB83 82  
STM PB84 83  
STM PB85 84  
STM PB86 85  
STM PB87 86  
STM PB88 87  
STM PB89 88  
STM PB90 89  
STM PB91 90  
STM PB92 91  
STM PB93 92  
STM PB94 93  
STM PB95 94  
STM PB96 95  
STM PB97 96  
STM PB98 97  
STM PB99 98  
STM PB100 99

MCU  
VDD\_2  
VSS\_2  
PA13  
PA12  
PA11  
PA10  
PA9  
PA8  
PA7  
PA6  
PA5  
PA4  
PA3  
PA2  
PB12  
PB11  
PB10  
PB9  
PB8  
PB7  
PB6  
PB5  
PB4  
PB3  
PB2  
PB1  
PB0  
PB12  
PB11  
PB10  
PB9  
PB8  
PB7  
PB6  
PB5  
PB4  
PB3  
PB2  
PB1  
PB0  
PB12  
PB11  
PB10  
PB9  
PB8  
PB7  
PB6  
PB5  
PB4  
PB3  
PB2  
PB1  
PB0  
PB12  
PB11  
PB10  
PB9  
PB8  
PB7  
PB6  
PB5  
PB4  
PB3  
PB2  
PB1  
PB0  
PB12  
PB11  
PB10  
PB9  
PB8  
PB7  
PB6  
PB5  
PB4  
PB3  
PB2  
PB1  
PB0

U18  
1 PE2  
2 PE3  
3 PE4  
4 PE5  
5 PE6  
6 PE7  
7 PBAT  
8 PC14-OSC32\_IN  
9 PC15-OSC32\_OUT  
10 VSS\_5  
11 VDD\_5  
12 OSC\_IN  
13 OSC\_OUT  
14 NRST  
15 PC10  
16 PC11  
17 PC12  
18 PC2  
19 PC3  
20 VSEA  
21 VREF+  
22 VDDA  
23 PA0-WKUP  
24 PA1  
25 PA2

U17  
1 DIR  
2 DIR  
3 DIR  
4 DIR  
5 DIR  
6 DIR  
7 DIR  
8 DIR  
9 DIR  
10 DIR  
11 DIR  
12 DIR  
13 DIR  
14 DIR  
15 DIR  
16 DIR  
17 DIR  
18 DIR  
19 DIR  
20 DIR  
21 DIR  
22 DIR  
23 DIR  
24 DIR  
25 DIR  
26 DIR  
27 DIR  
28 DIR  
29 DIR  
30 DIR  
31 DIR  
32 DIR  
33 DIR  
34 DIR  
35 DIR  
36 DIR  
37 DIR  
38 DIR  
39 DIR  
40 DIR  
41 DIR  
42 DIR  
43 DIR  
44 DIR  
45 DIR

U19  
1 DIR  
2 DIR  
3 DIR  
4 DIR  
5 DIR  
6 DIR  
7 DIR  
8 DIR  
9 DIR  
10 DIR  
11 DIR  
12 DIR  
13 DIR  
14 DIR  
15 DIR  
16 DIR  
17 DIR  
18 DIR  
19 DIR  
20 DIR  
21 DIR  
22 DIR  
23 DIR  
24 DIR  
25 DIR  
26 DIR  
27 DIR  
28 DIR  
29 DIR  
30 DIR  
31 DIR  
32 DIR  
33 DIR  
34 DIR  
35 DIR  
36 DIR  
37 DIR  
38 DIR  
39 DIR  
40 DIR  
41 DIR  
42 DIR  
43 DIR  
44 DIR  
45 DIR

U20  
1 C1+  
2 C1-  
3 C2+  
4 C2-  
5 T1OUT  
6 T1IN  
7 T2OUT  
8 T2IN  
9 R2OUT  
10 R2IN  
11 T1OUT  
12 T1IN  
13 T2OUT  
14 T2IN

U21  
1 RS  
2 TXD  
3 RXD  
4 CANL  
5 CANH  
6 LBK  
7 LK5

U22  
1 RO  
2 RE  
3 DE  
4 DI

U23  
1 CAN RXD  
2 CAN TXD  
3 CANL  
4 CANH  
5 LBK

U24  
1 STM\_USART1\_TX  
2 STM\_USART1\_RX  
3 STM\_USART3\_TX  
4 STM\_USART3\_RX

U25  
1 MPU\_232\_TX  
2 MPU\_232\_RX

U26  
1 MPU\_232\_TX  
2 MPU\_232\_RX

U27  
1 MPU\_232\_TX  
2 MPU\_232\_RX

U28  
1 MPU\_232\_TX  
2 MPU\_232\_RX

U29  
1 MPU\_232\_TX  
2 MPU\_232\_RX

U30  
1 MPU\_232\_TX  
2 MPU\_232\_RX

U31  
1 MPU\_232\_TX  
2 MPU\_232\_RX

U32  
1 MPU\_232\_TX  
2 MPU\_232\_RX

U33  
1 MPU\_232\_TX  
2 MPU\_232\_RX

U34  
1 MPU\_232\_TX  
2 MPU\_232\_RX

U35  
1 MPU\_232\_TX  
2 MPU\_232\_RX

U36  
1 MPU\_232\_TX  
2 MPU\_232\_RX

U37  
1 MPU\_232\_TX  
2 MPU\_232\_RX

U38  
1 MPU\_232\_TX  
2 MPU\_232\_RX

U39  
1 MPU\_232\_TX  
2 MPU\_232\_RX

U40  
1 MPU\_232\_TX  
2 MPU\_232\_RX

U41  
1 MPU\_232\_TX  
2 MPU\_232\_RX

U42  
1 MPU\_232\_TX  
2 MPU\_232\_RX

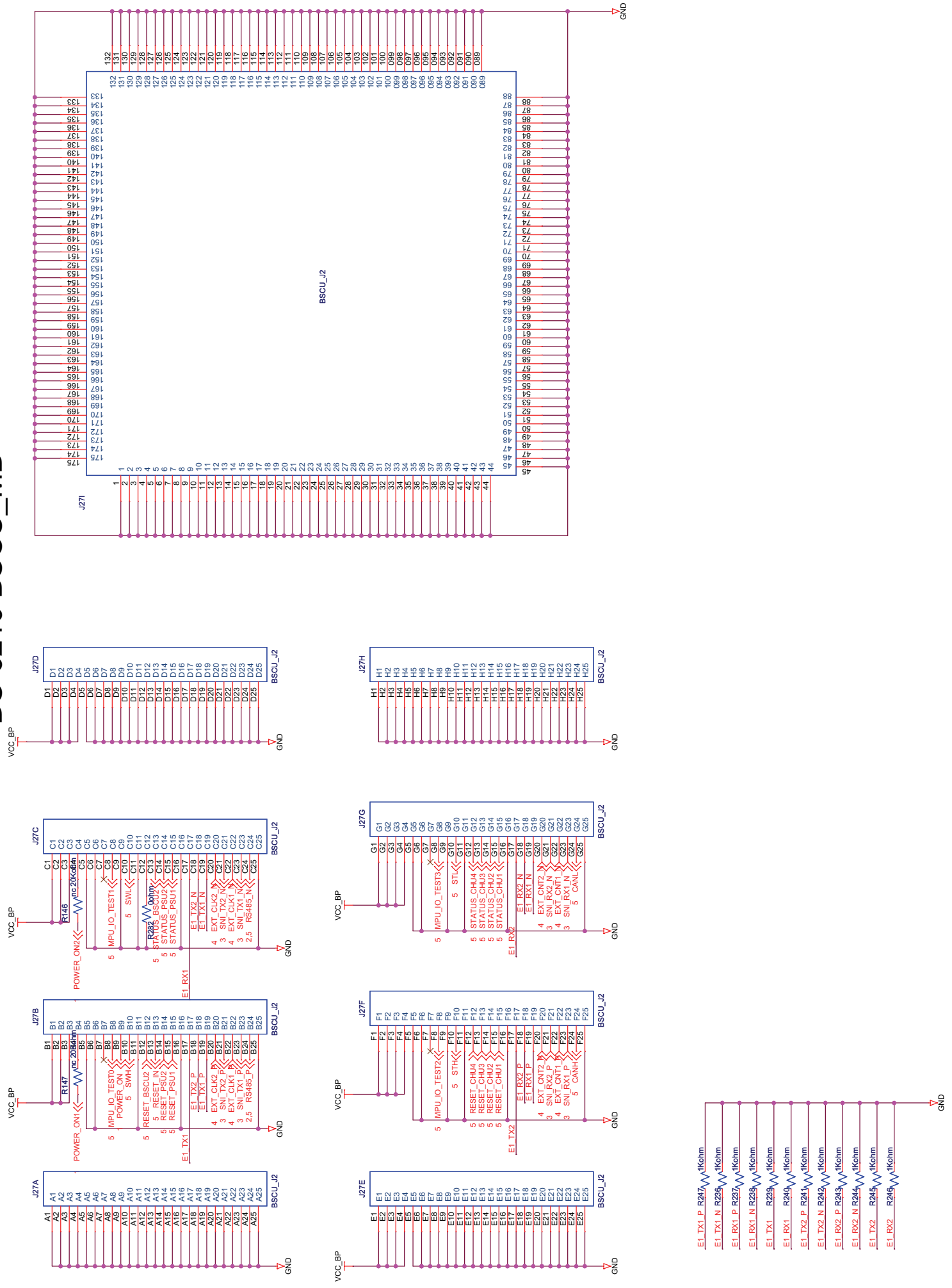
U43  
1 MPU\_232\_TX  
2 MPU\_232\_RX

U44  
1 MPU\_232\_TX  
2 MPU\_232\_RX

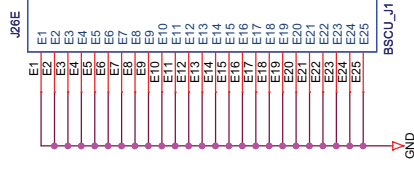
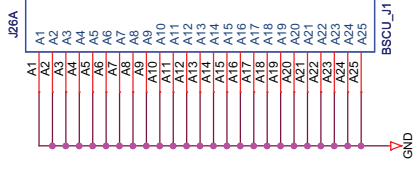
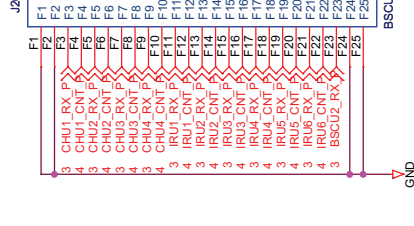
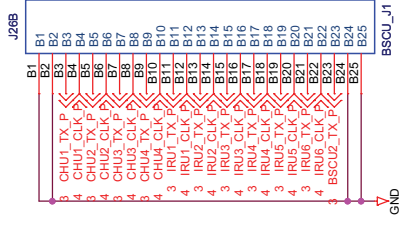
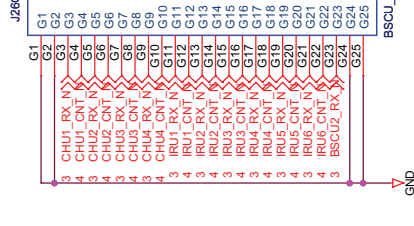
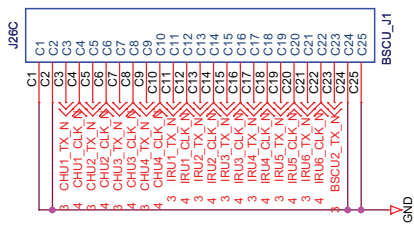
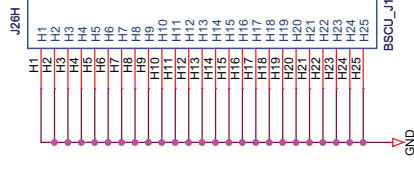
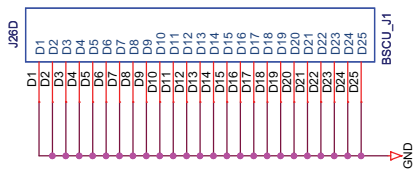
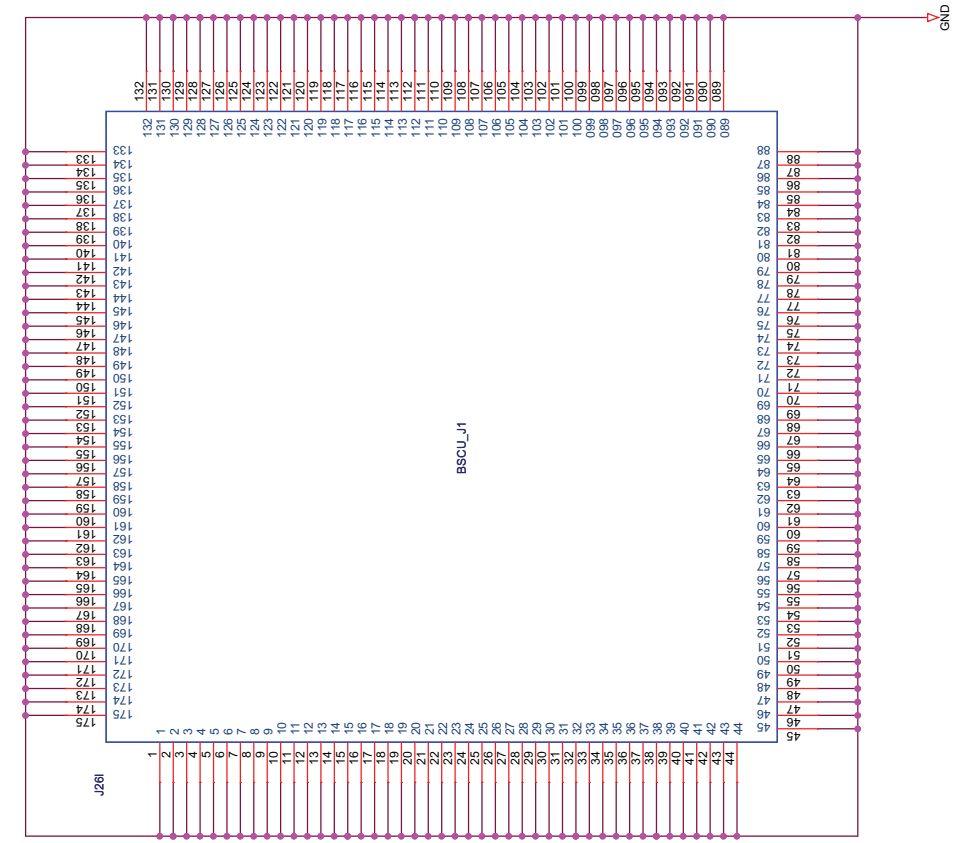
U45  
1 MPU\_232\_TX  
2 MPU\_232\_RX

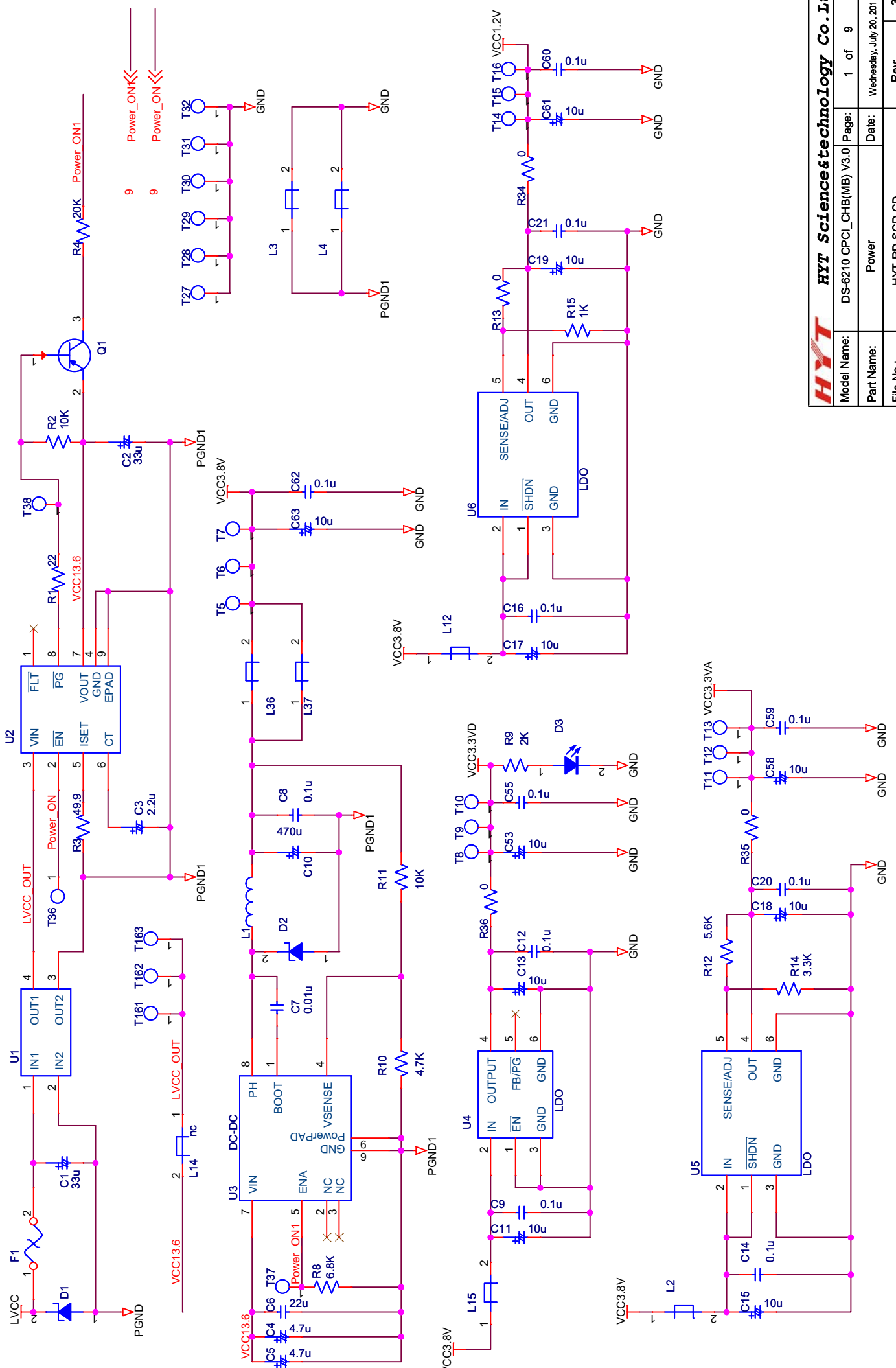
U46  
1 MPU\_232\_TX  
2 MPU\_232\_RX

# DS-6210 BSCU\_MB

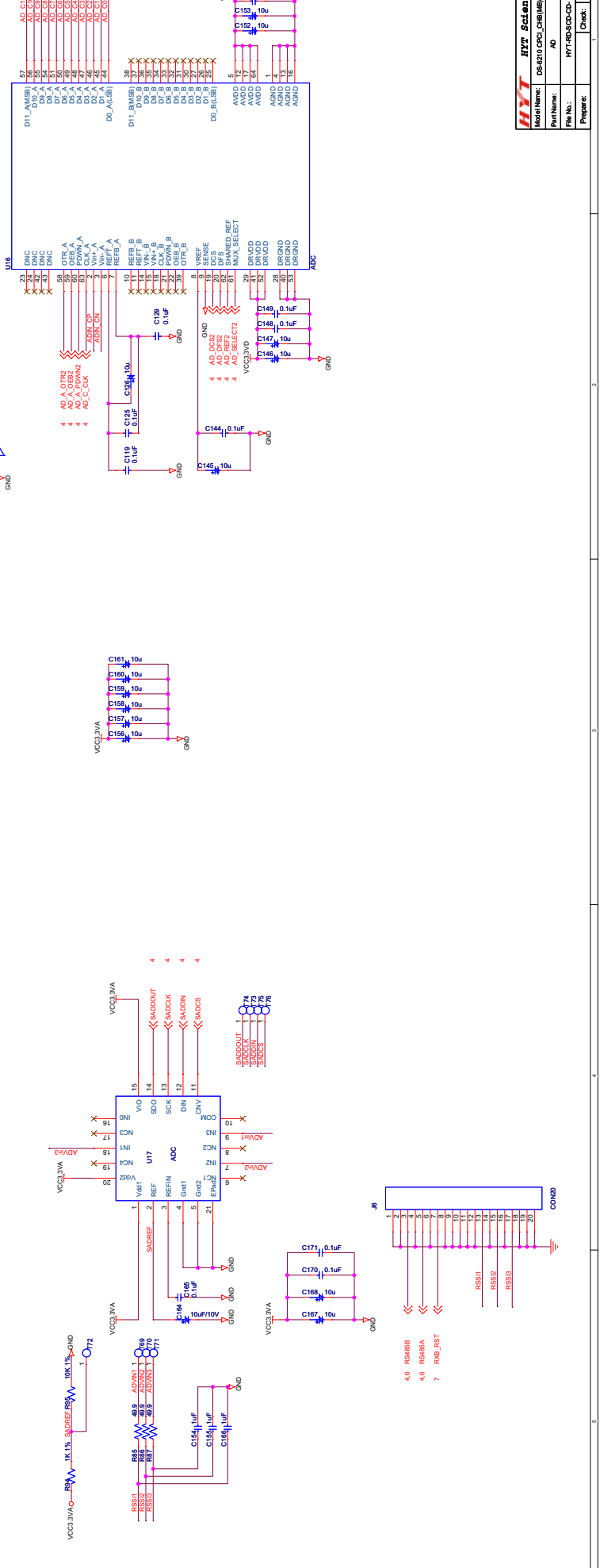
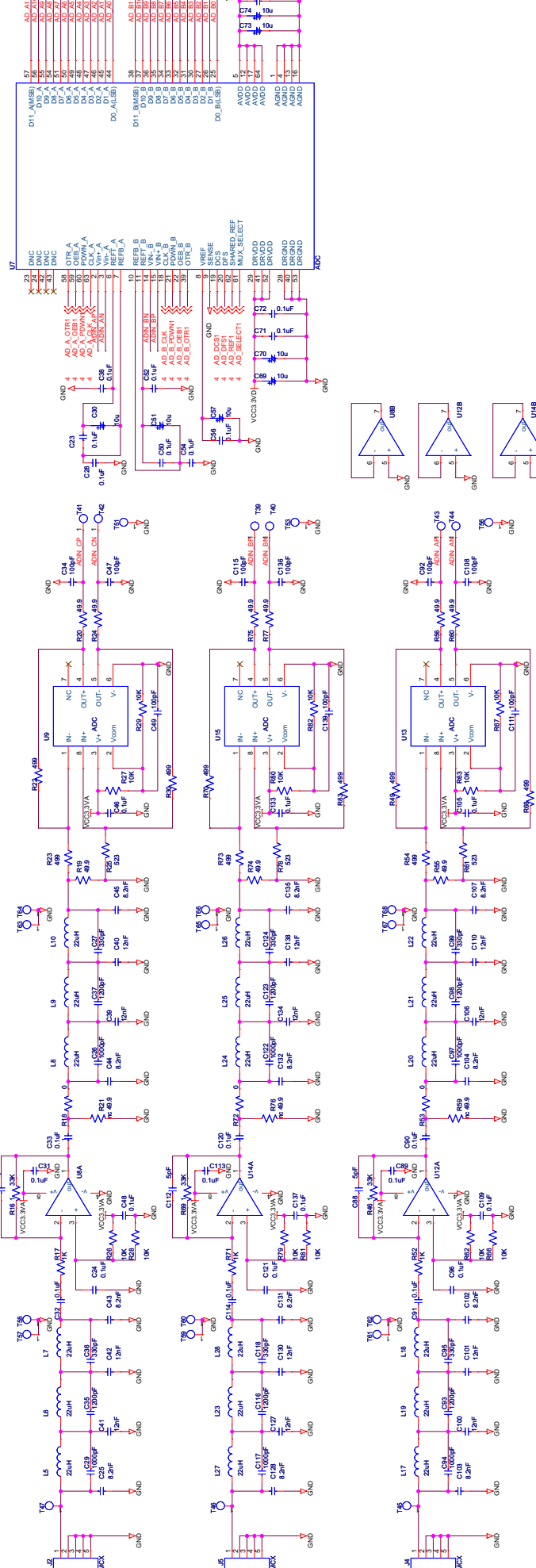


# DS-6210 BSCU\_MB

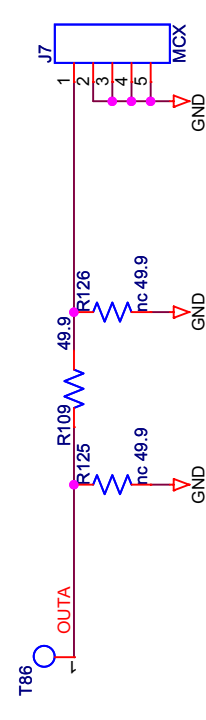
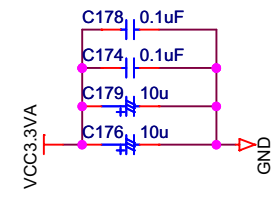
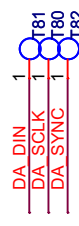
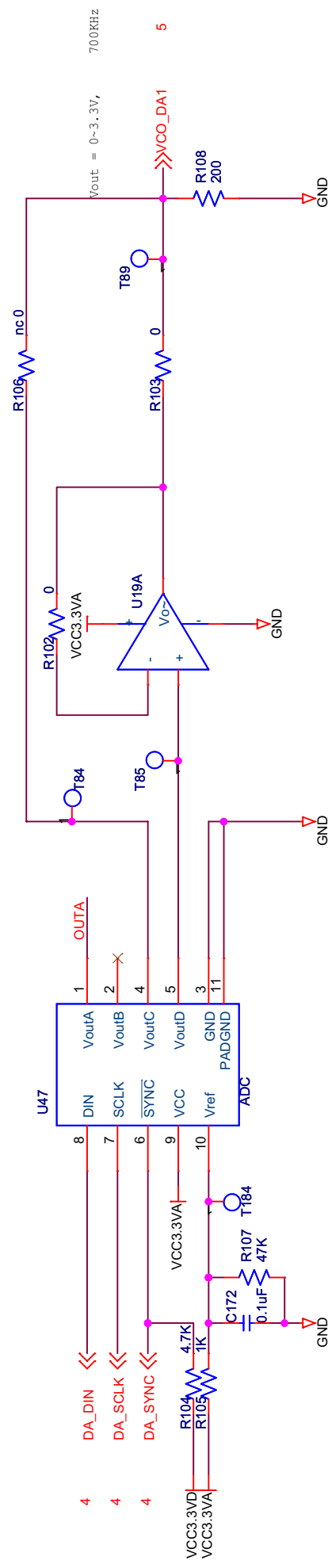




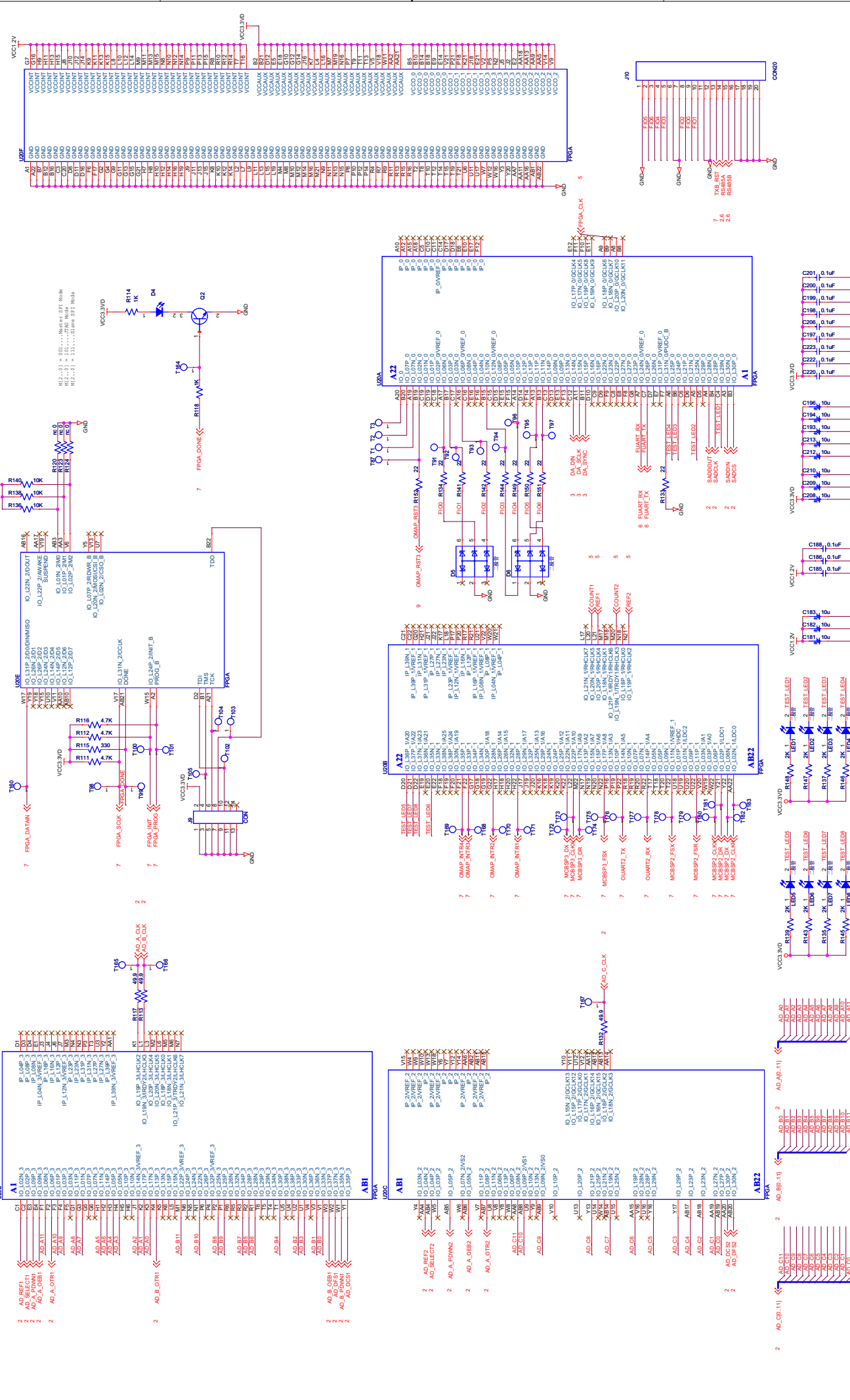
<b>HYT Science &amp; technology Co. Ltd.</b>	
Model Name:	DS-6210 CPCL_CHB(MB) V3.0
Part Name:	Power
File No.:	HYT-RD-SCD-CD-
Prepare:	Check:
Page:	1 of 9
Date:	Wednesday, July 20, 2011
Rev:	3.0
Approve:	



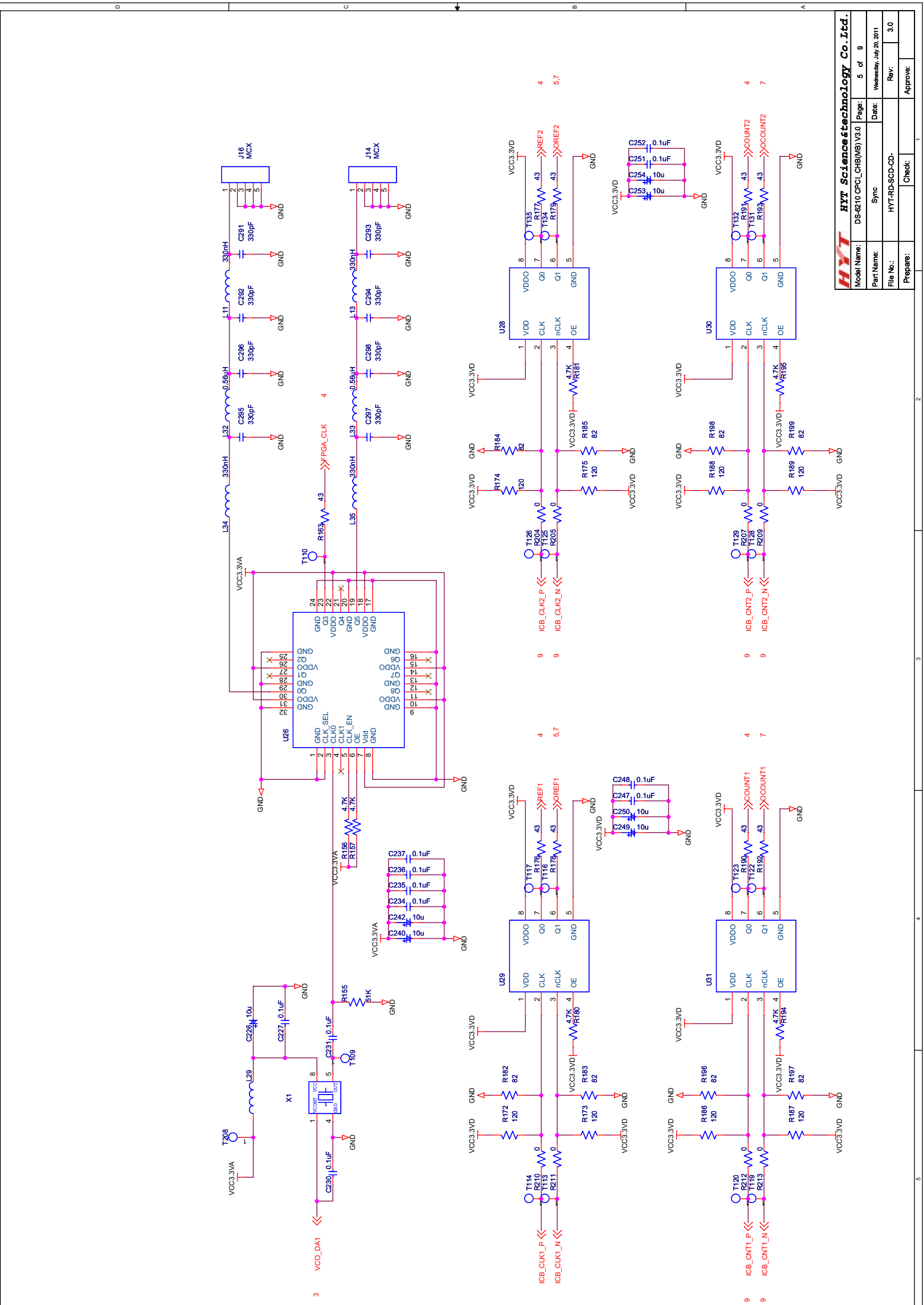
<b>ITZY Science Technology Co., Ltd.</b>	
Board Name: DS4210 (CPLI_CHEM) V3.0	Page: 2 of 9
Part Name: AD	Date: www.itzy.com
File No.: PPT-AD-CD-CD	Rev: 3.0
Prepare:	Check:
Approve:	

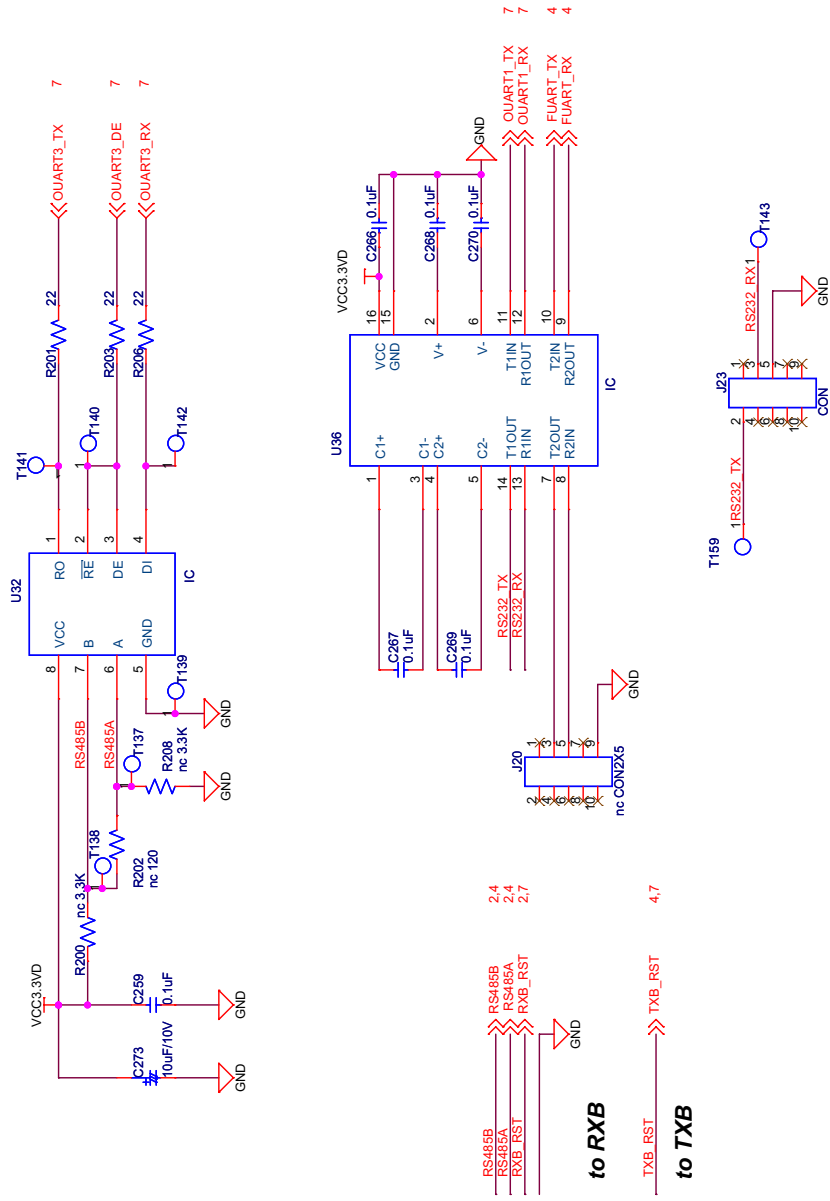


<b>HYT</b> <b>HYT Science&amp;technology Co. Ltd.</b>	
Model Name:	DS-6210 CPCL_CHB(MB) V3.0
Part Name:	DA
File No.:	HYT-RD-SCD-CD-
Prepare:	Check:
Page:	3 of 9
Date:	Wednesday, July 20, 2011
Rev:	3.0
Approve:	



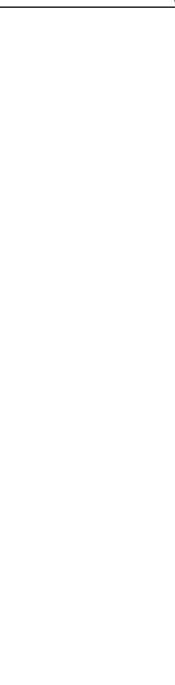
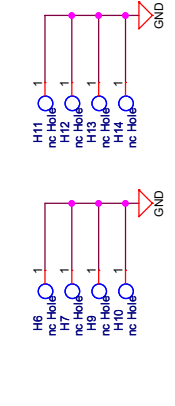
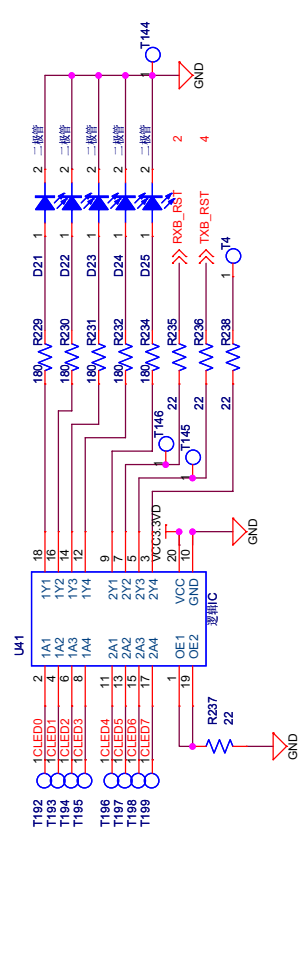
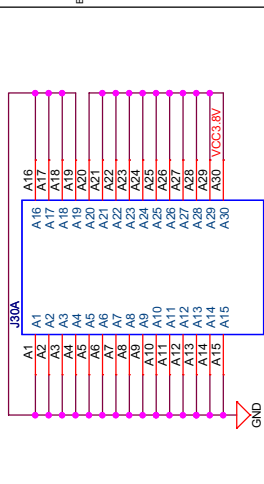
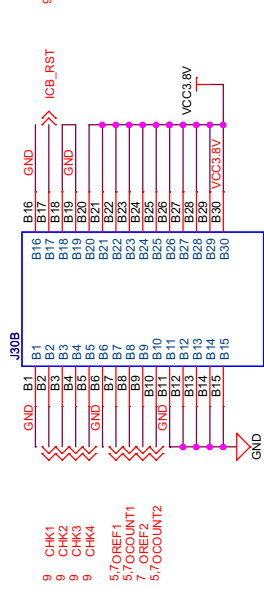
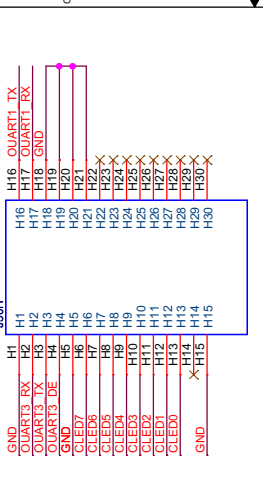
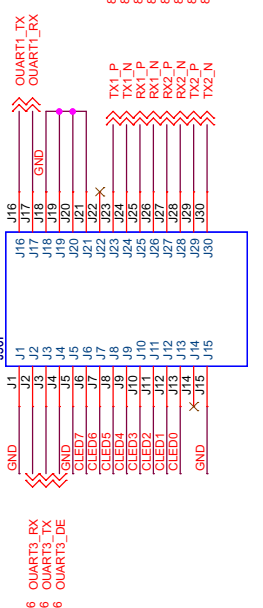
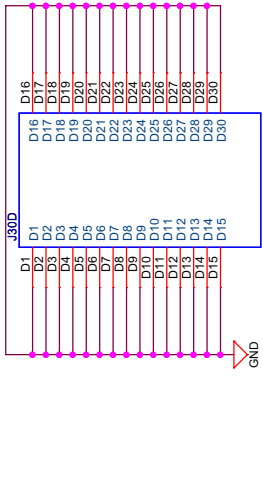
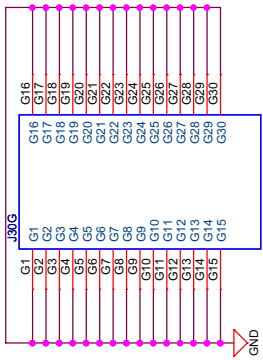
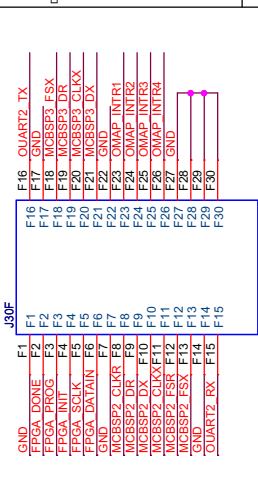
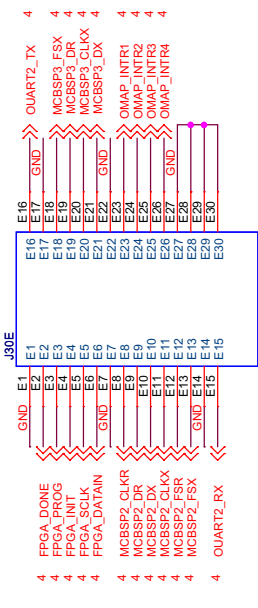
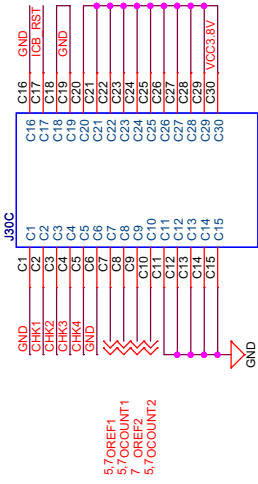




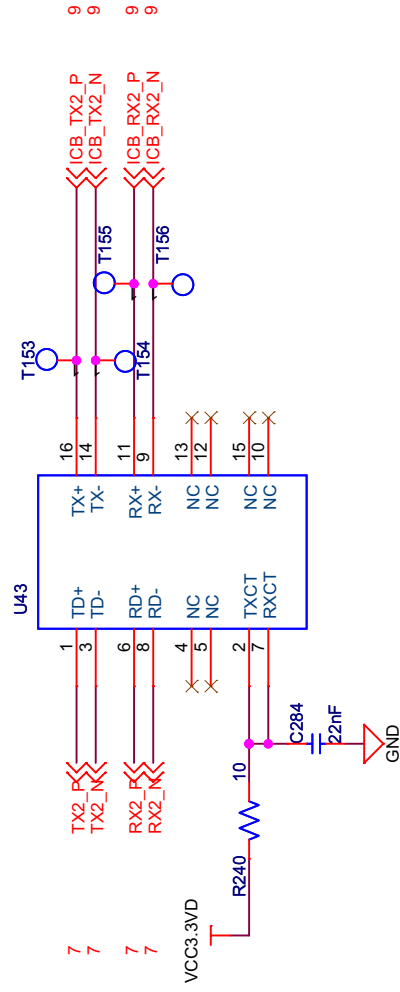
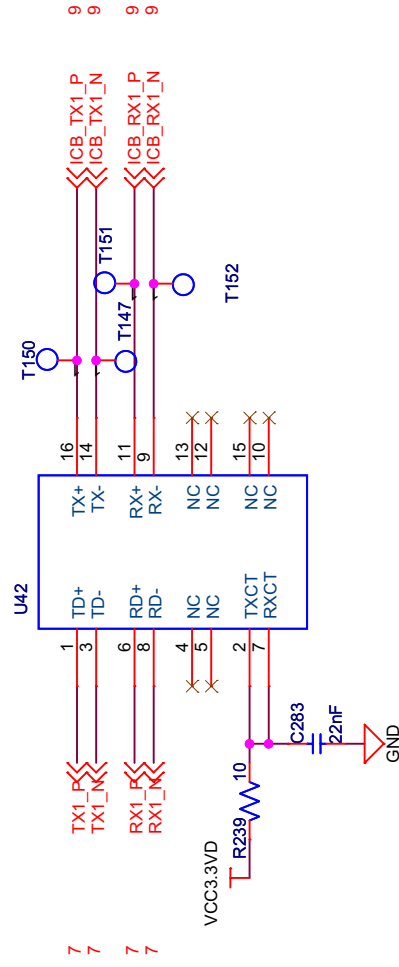


RS485B 2,4  
 RS485A 2,4  
 RXB\_RST 2,7  
 GND  
**to RXB**  
 TXB\_RST 4,7  
**to TXB**

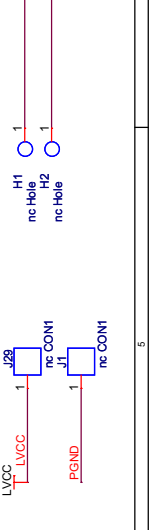
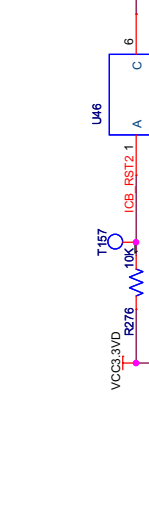
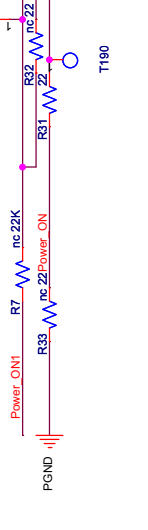
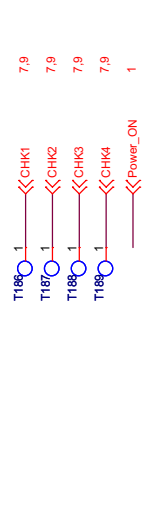
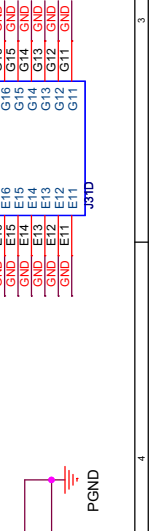
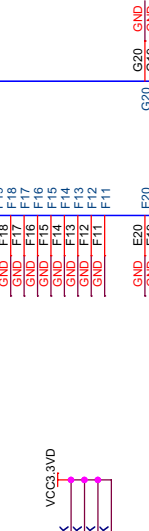
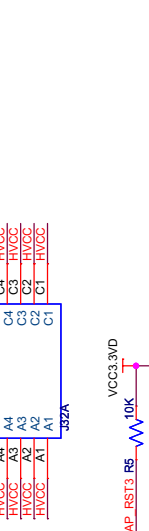
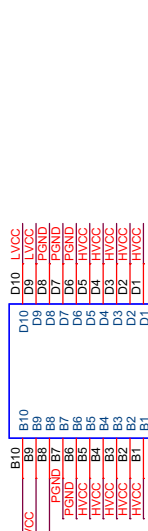
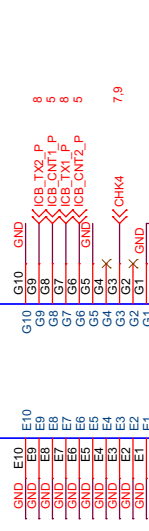
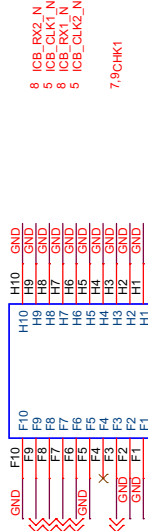
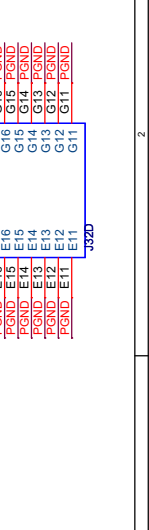
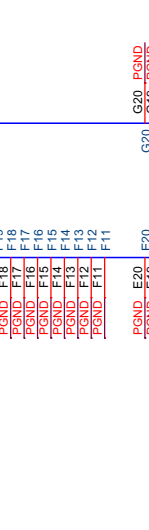
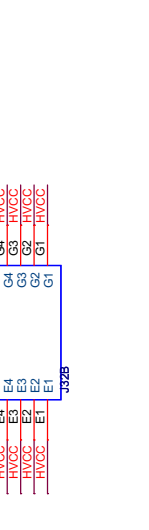
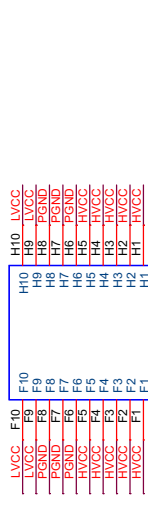
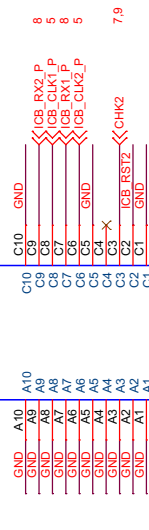
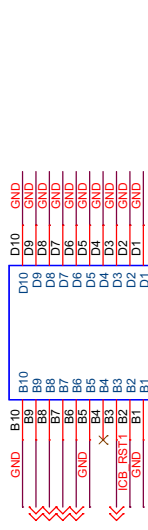
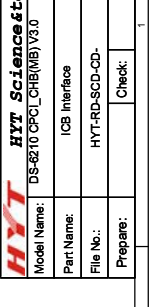
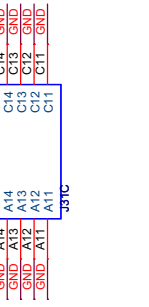
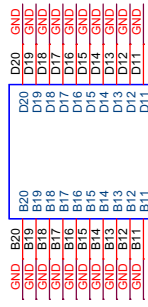
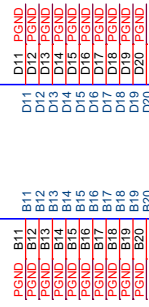
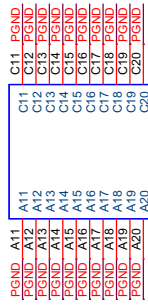
<b>HYT</b>		<b>HYT Science &amp; technology Co. Ltd.</b>	
Model Name:	DS-6210 CPCL_CHE(MB)V3.0	Page:	6 of 9
Part Name:	STM32	Date:	Wednesday, July 20, 2011
File No.:	HYT-RD-SCD-CD-	Rev:	3.0
Prepare:		Check	Approve:

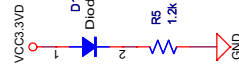
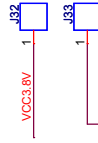
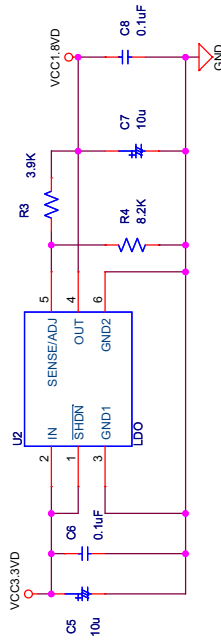
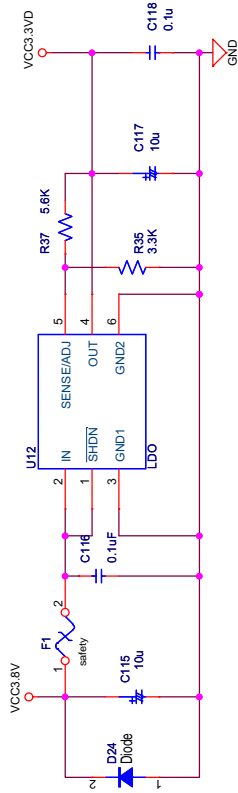


<b>HYT</b>		<b>HYT Science&amp;technology Co.,ltd.</b>	
Model Name:	DS-6210-CPOL_CHB(MB)V3.0	Page:	7 of 9
Part Name:	OMAP-Gpio	Date:	Wednesday, Jul 26, 2011
File No.:	HYT-RD-SCD-CD-	Rev:	3.0
Prepare:		Check:	Approve:

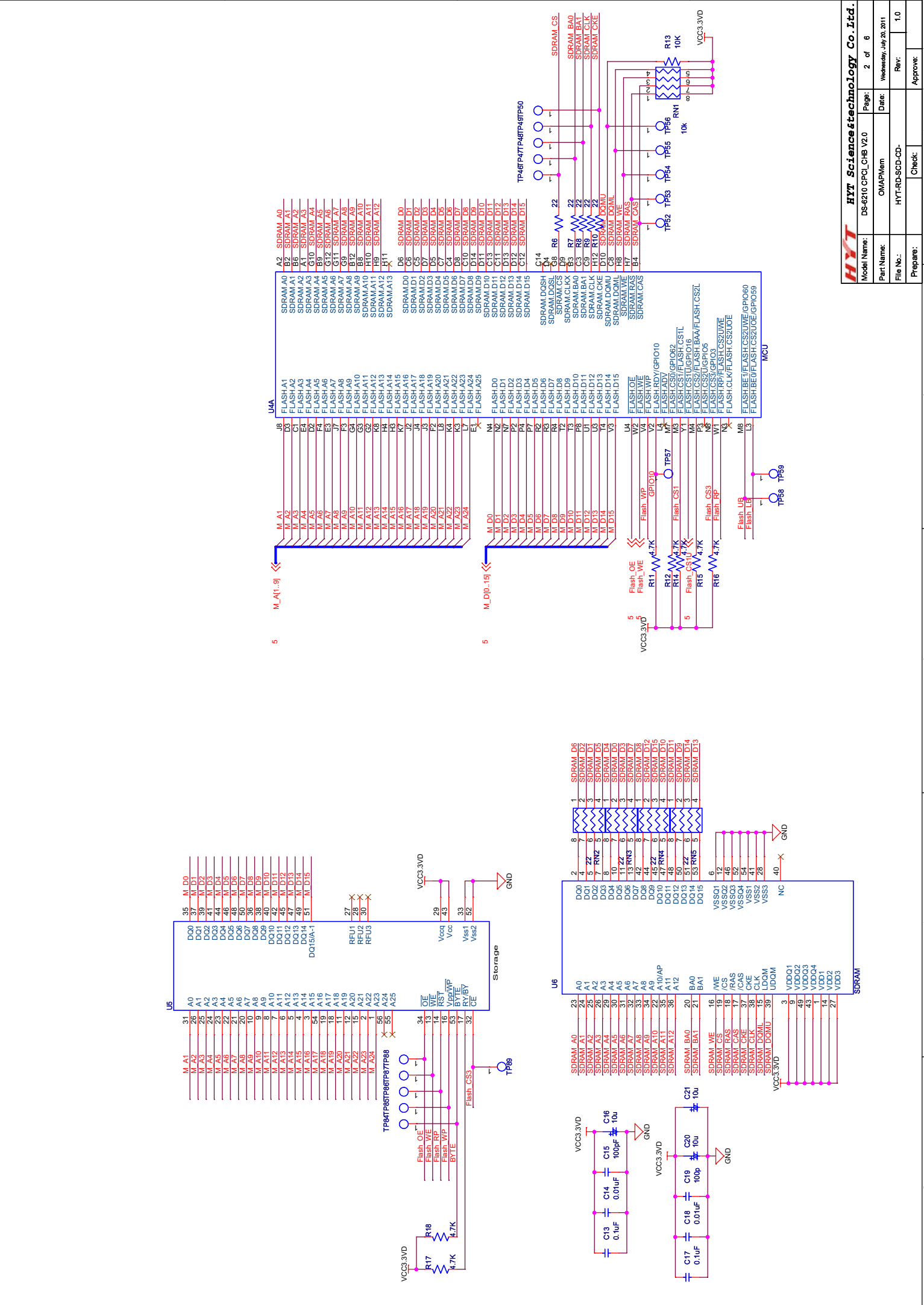


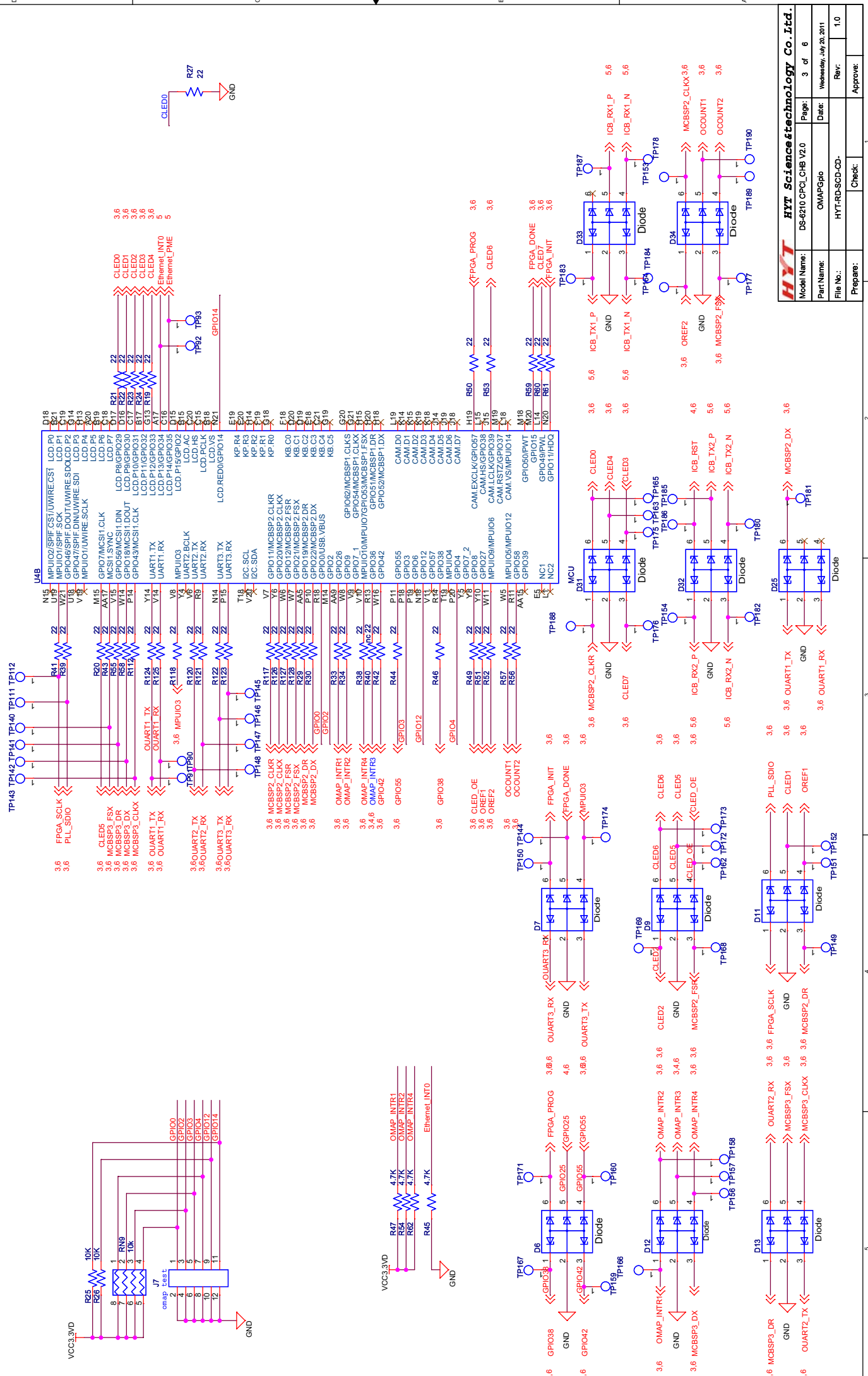
<b>HYT</b>		<b>HYT Science &amp; technology Co. Ltd.</b>	
Model Name:	DS-6210 CPCL_CHB(MB) V3.0	Page:	8 of 9
Part Name:	Ethernet	Date:	Wednesday, July 20, 2011
File No.:	HYT-RD-SCD-CD-	Rev:	3.0
Prepare:		Check:	Approve:





<b>HYT</b>		<b>HYT Science&amp;technology Co.,ltd.</b>	
Model Name:	DS-6210 CPOL_CHB_V2.0	Page:	1 of 6
Part Name:	Power	Date:	Wednesday, Jul 20, 2011
File No.:	HYT-RD-SCD-CD-	Rev:	1.0
Prepare:		Check:	Approve:

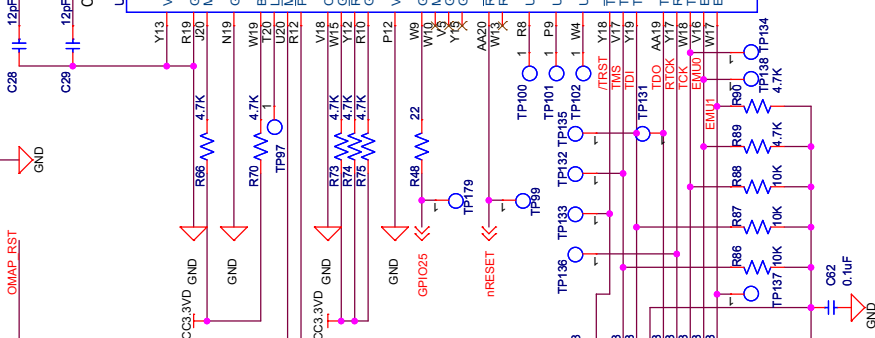
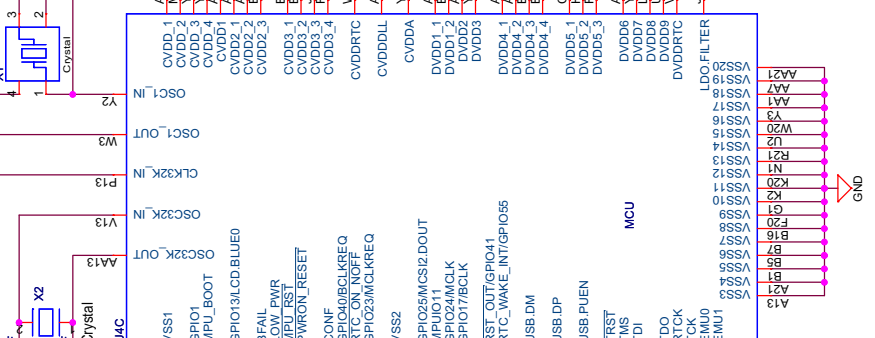
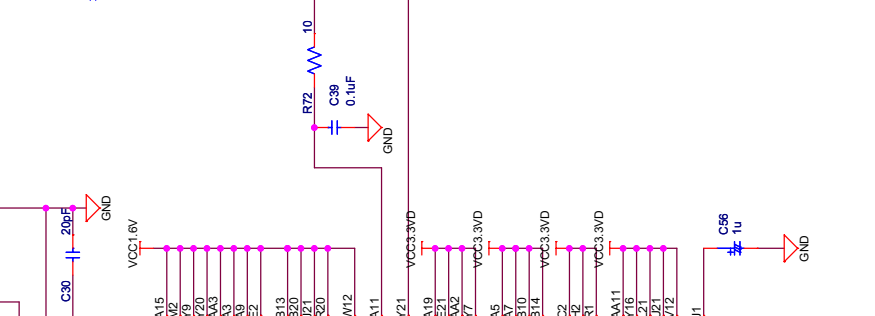
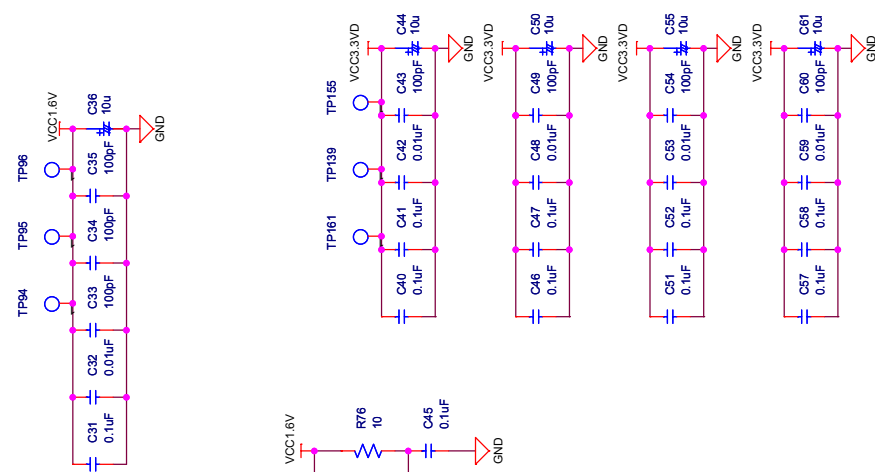
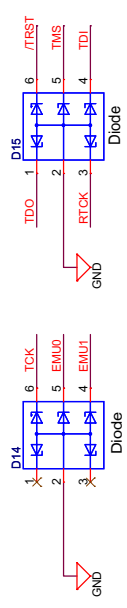
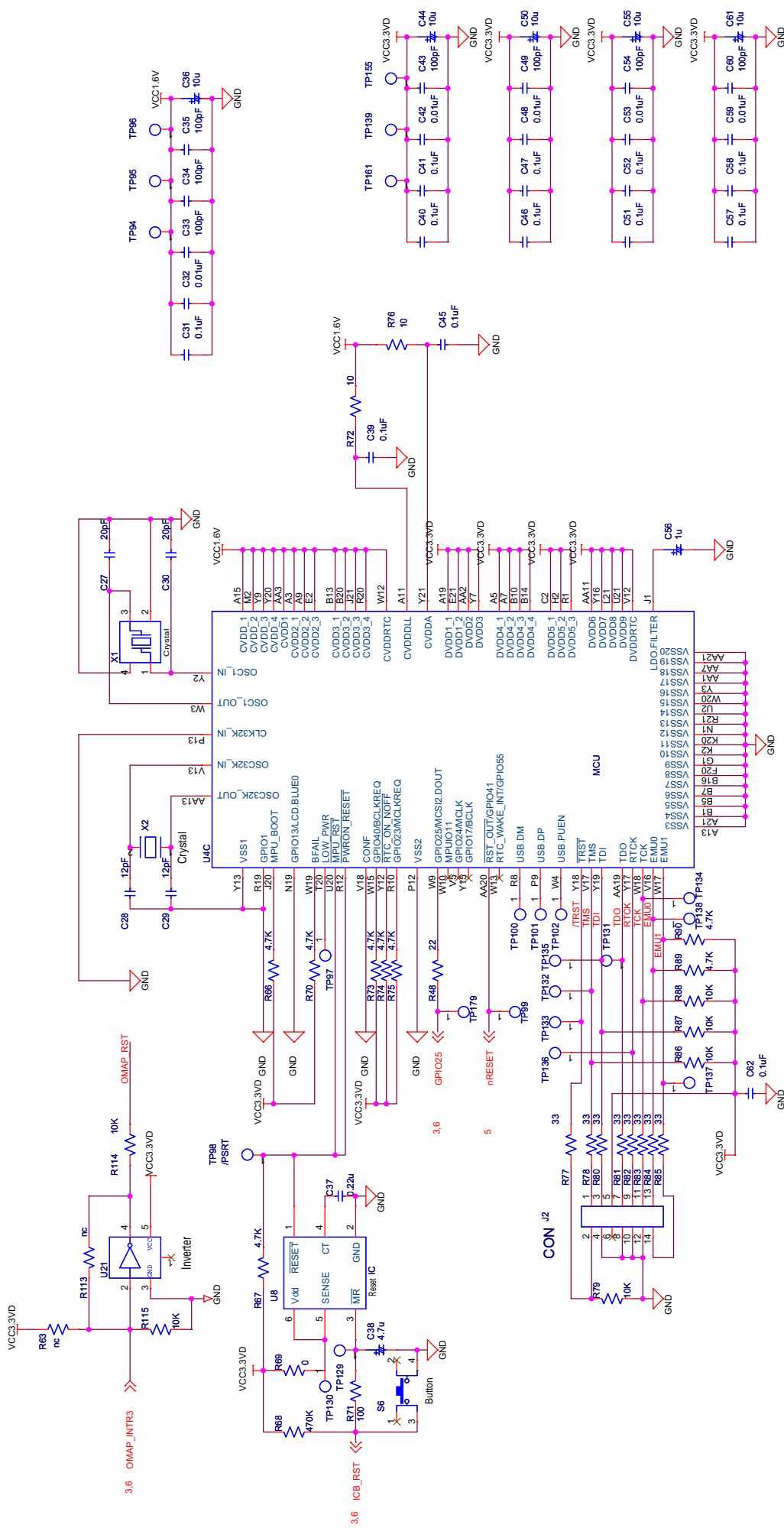




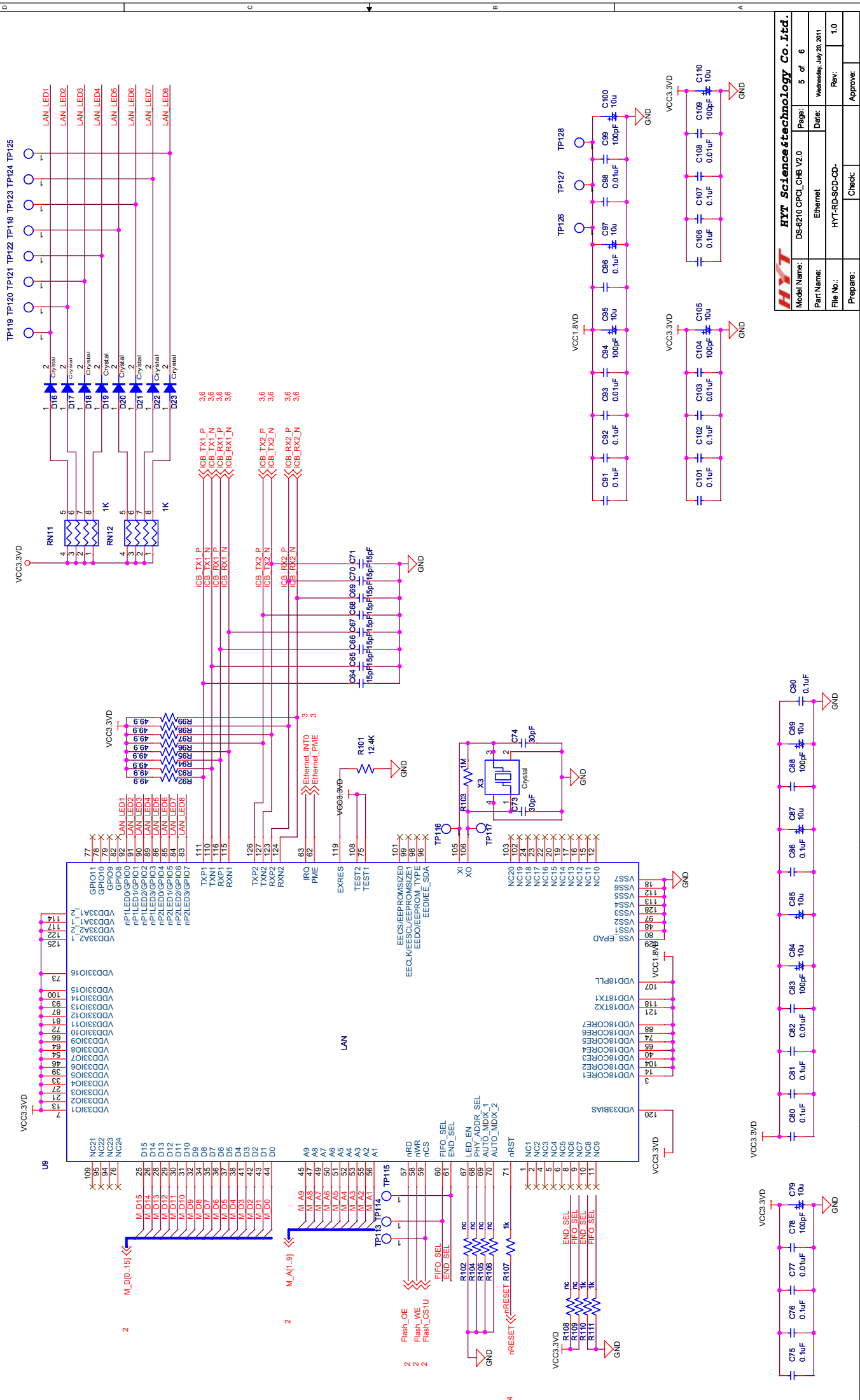
<b>HYT</b>			
Model Name:	DS-6210-CPOL-CHB-V2.0	Page:	3 of 6
Part Name:	OMAPGpio	Date:	Wednesday, Jul 26, 2011
File No.:	HYT-RD-SCD-CD-	Rev:	1.0
Prepare:		Check:	Approve:

D18 B21  
 D19 B22  
 D20 B23  
 D21 B24  
 D22 B25  
 D23 B26  
 D24 B27  
 D25 B28  
 D26 B29  
 D27 B30  
 D28 B31  
 D29 B32  
 D30 B33  
 D31 B34  
 D32 B35  
 D33 B36  
 D34 B37  
 D35 B38  
 D36 B39  
 D37 B40  
 D38 B41  
 D39 B42  
 D40 B43  
 D41 B44  
 D42 B45  
 D43 B46  
 D44 B47  
 D45 B48  
 D46 B49  
 D47 B50  
 D48 B51  
 D49 B52  
 D50 B53  
 D51 B54  
 D52 B55  
 D53 B56  
 D54 B57  
 D55 B58  
 D56 B59  
 D57 B60  
 D58 B61  
 D59 B62  
 D60 B63  
 D61 B64  
 D62 B65  
 D63 B66  
 D64 B67  
 D65 B68  
 D66 B69  
 D67 B70  
 D68 B71  
 D69 B72  
 D70 B73  
 D71 B74  
 D72 B75  
 D73 B76  
 D74 B77  
 D75 B78  
 D76 B79  
 D77 B80  
 D78 B81  
 D79 B82  
 D80 B83  
 D81 B84  
 D82 B85  
 D83 B86  
 D84 B87  
 D85 B88  
 D86 B89  
 D87 B90  
 D88 B91  
 D89 B92  
 D90 B93  
 D91 B94  
 D92 B95  
 D93 B96  
 D94 B97  
 D95 B98  
 D96 B99  
 D97 B100  
 D98 B101  
 D99 B102  
 D100 B103

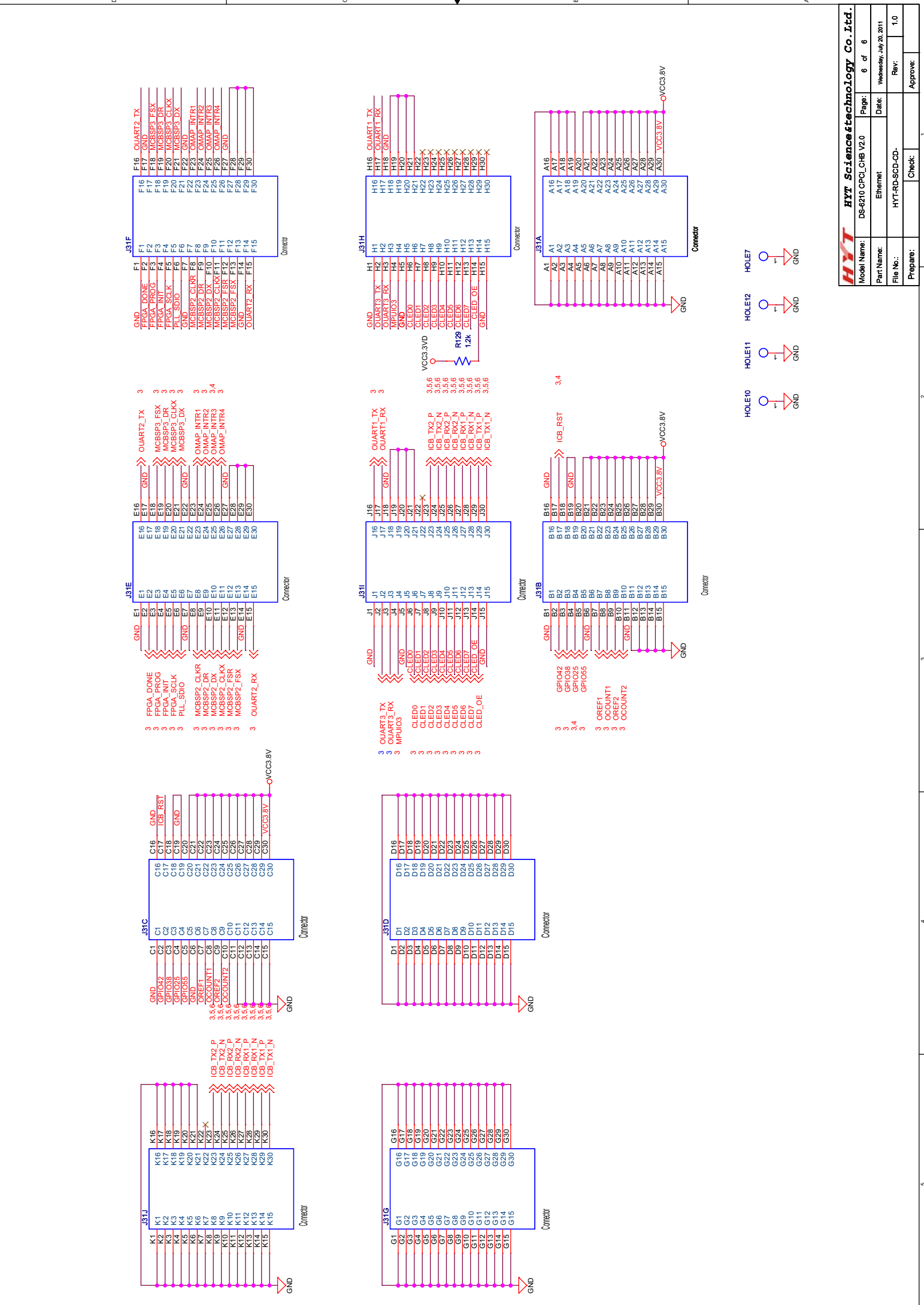


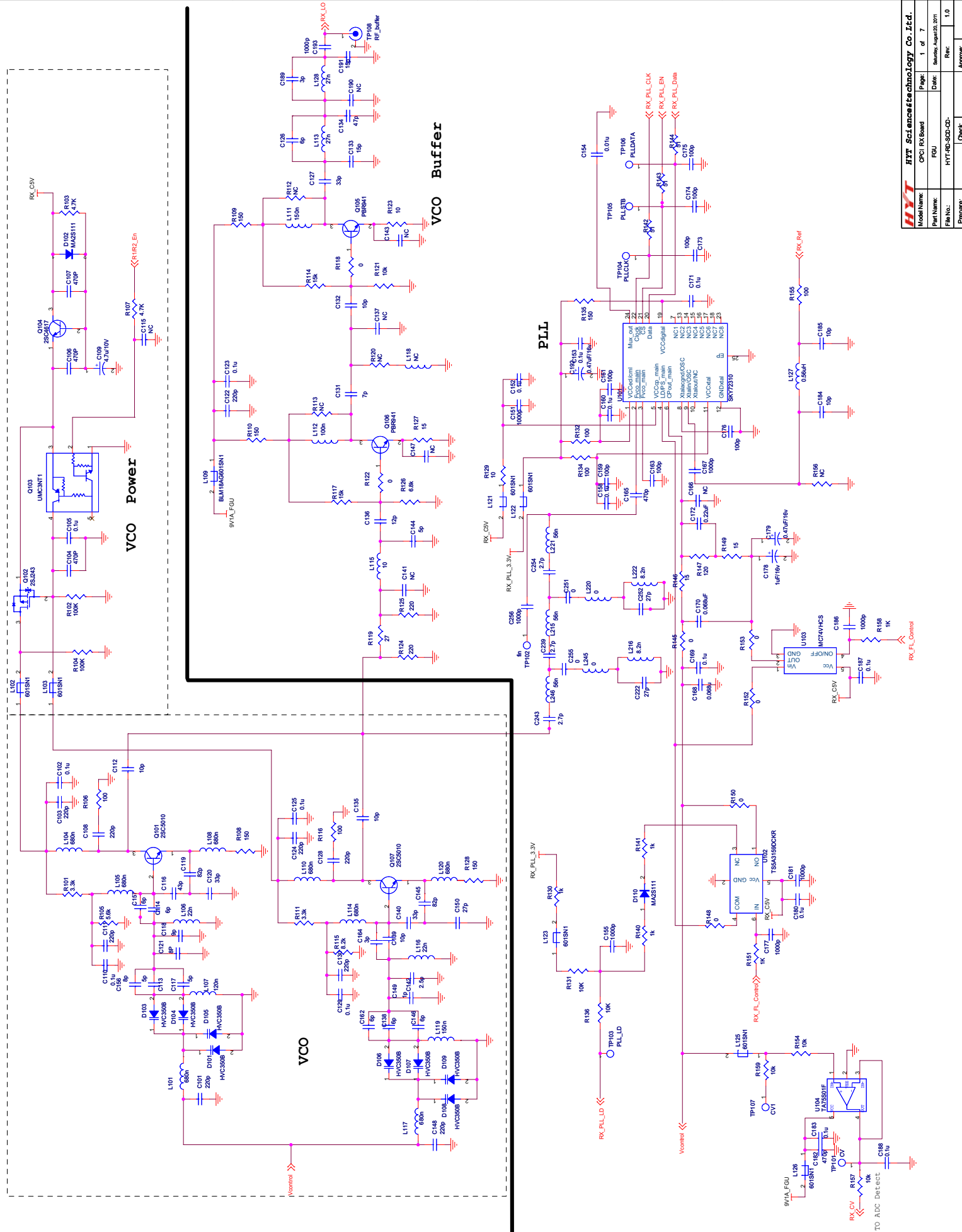


<b>HYT</b>		<b>HYT Science&amp;technology Co.,ltd.</b>	
Model Name:	DS-6210 CPCI_CHB V2.0	Page:	4 of 6
Part Name:	OMAPPwr	Date:	Wednesday, Jul 26, 2011
File No.:	HYT-RC-SCD-CD-	Rev:	1.0
Prepare:		Check:	



<b>HYT</b>			
<b>HYT Science&amp;Technology Co.,ltd.</b>			
Model Name:	DS-6210 CPOL_CHB_V2.0	Page:	5 of 6
Part Name:	Ethernet	Date:	Wednesday, Jul 26, 2011
File No.:	HYT-RD-SCD-CD-	Rev:	1.0
Prepare:		Check:	Approve:

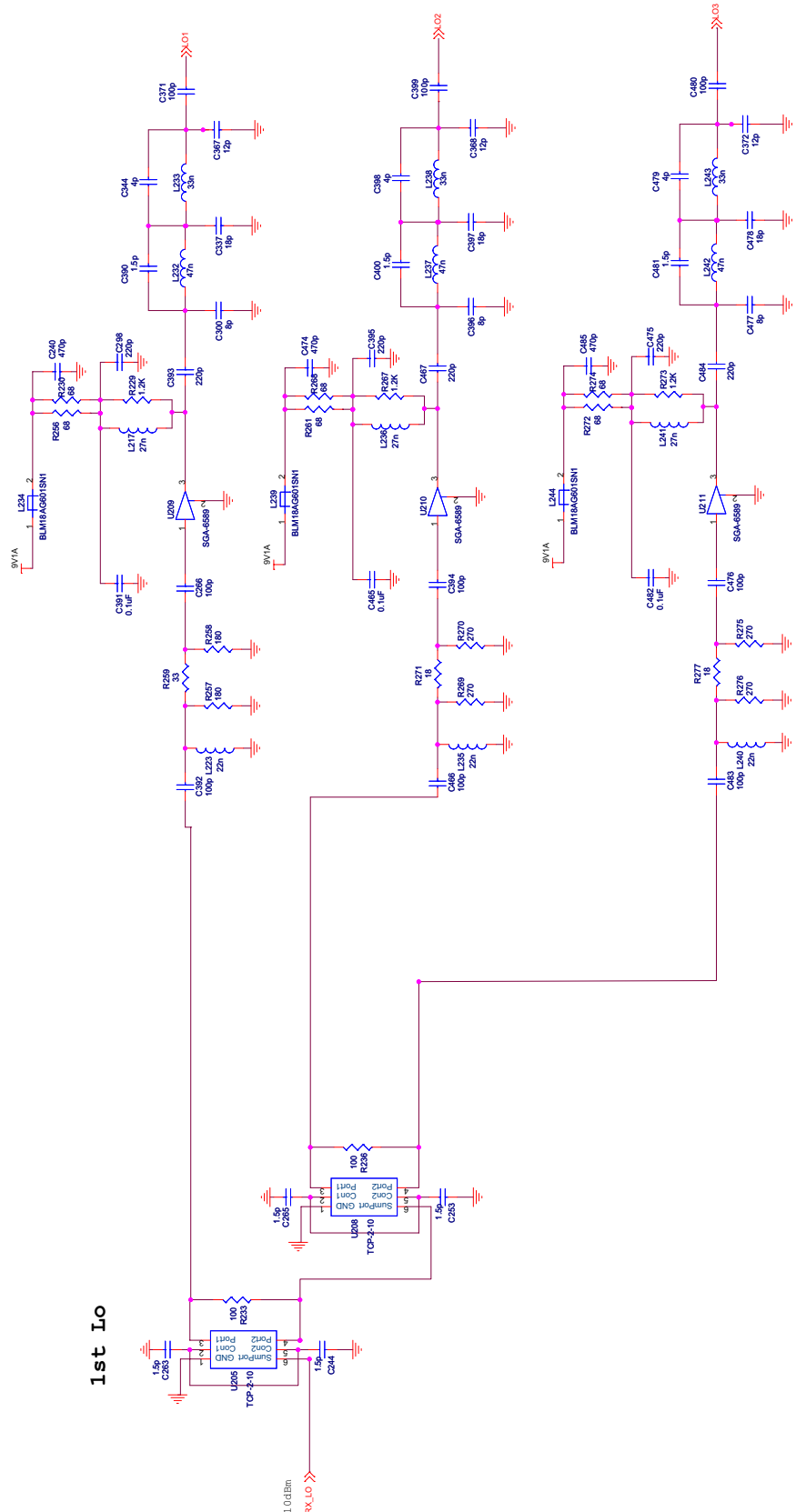




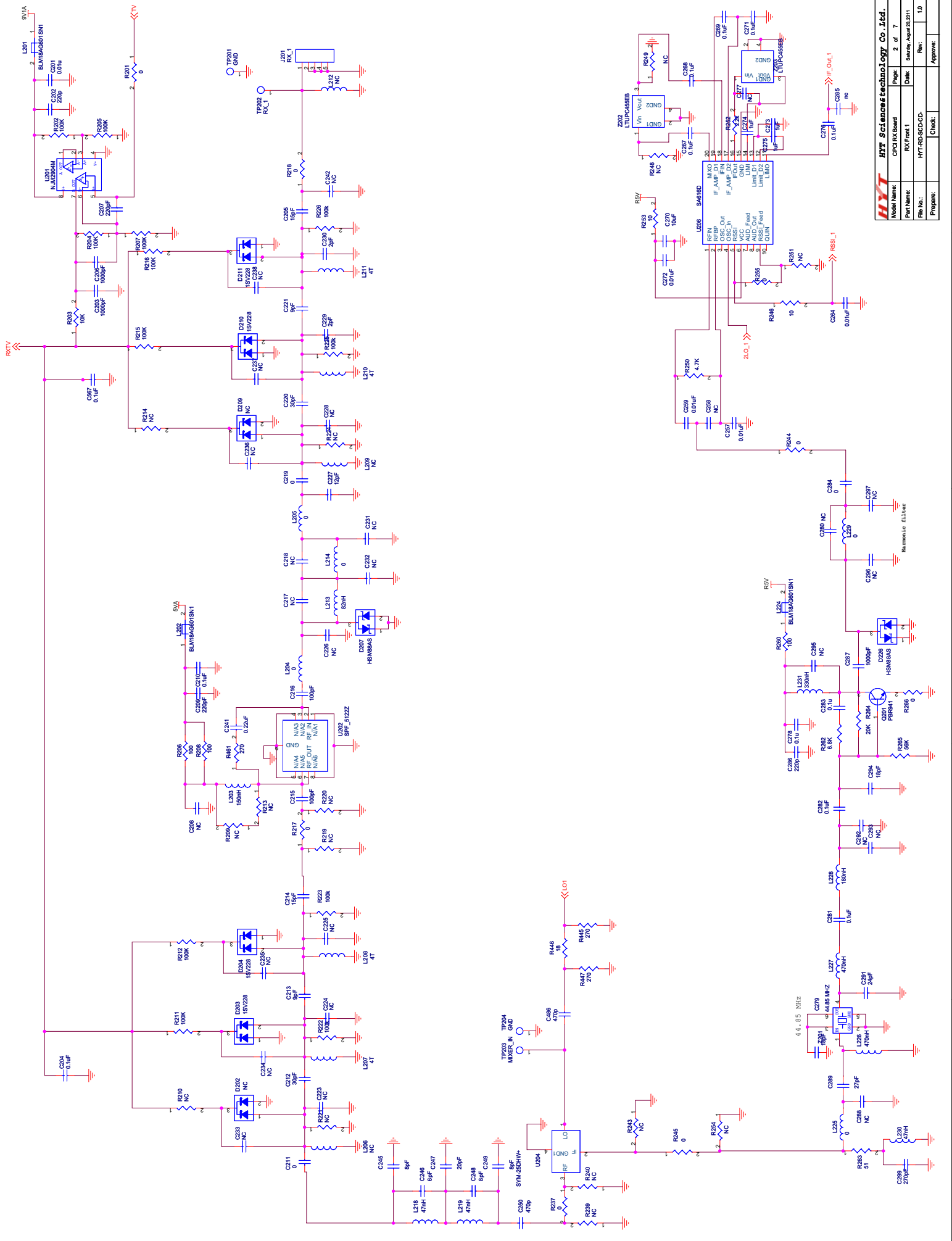
<b>HVT</b>		<b>HVT Science&amp;technology Co. Ltd.</b>	
Model Name:	CPCI RX Board	Page:	1 of 7
Part Name:	FGU	Date:	Sunday, August 20, 2011
File No.:	HVT-PC-SCD-CD	Rev:	1.0
Prepare:		Check:	
Approve:			



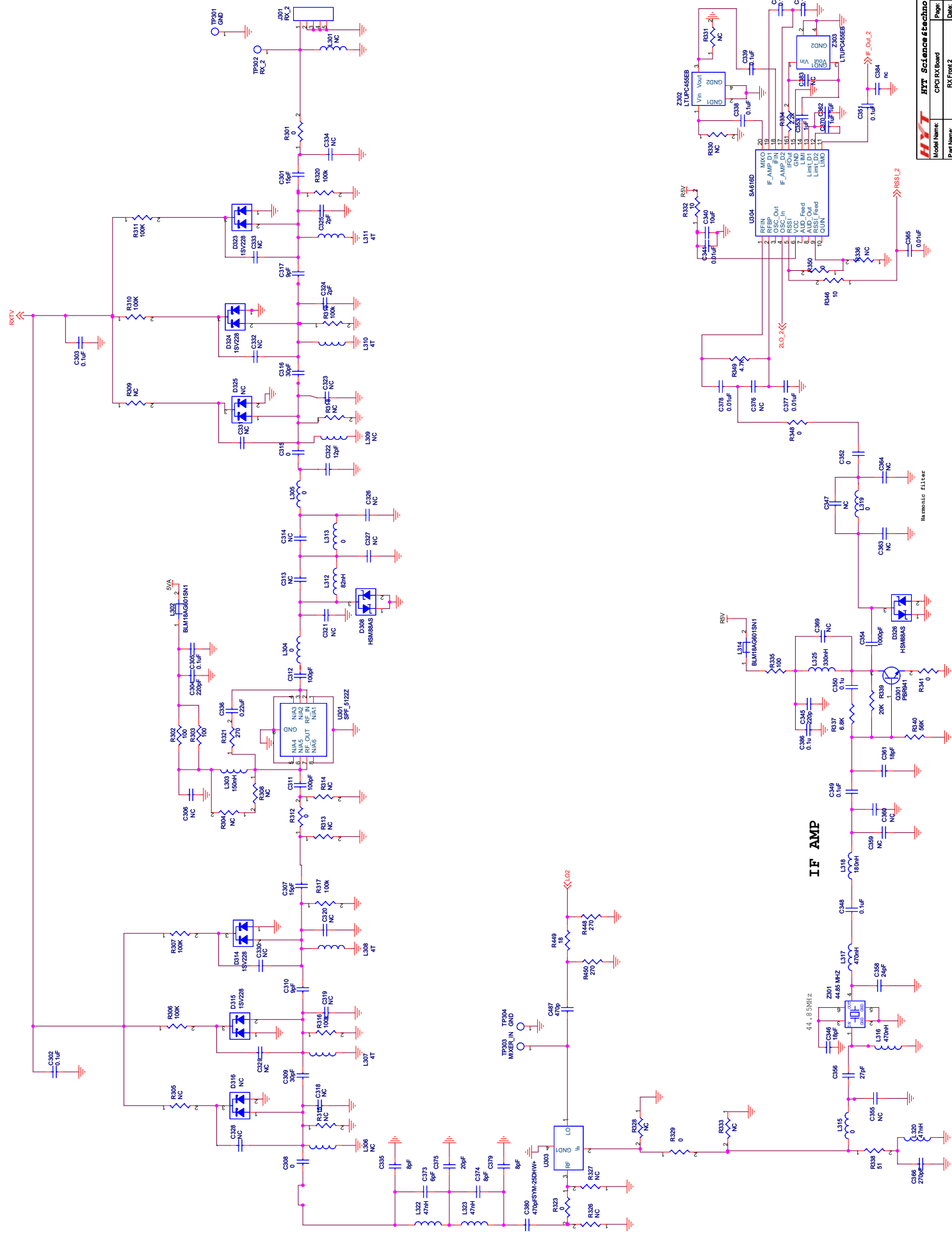
# 1st Io



File	<Title>	Rev	1
Size	Document Number	Rev	1
C	<Doc>	Rev	1
Date	Saturday, August 20, 2011	Sheet	1 of 1



<b>HVT</b> HVT Sciences Technology Co., Ltd.	
Model Name:	CPCJ RX Board
Part Name:	RX Front 1
File No.:	HVT-RD-SDD-CD
Page:	2 of 7
Date:	2024-08-20-11
Rev.:	1.0
Prepare:	Check:
Approve:	



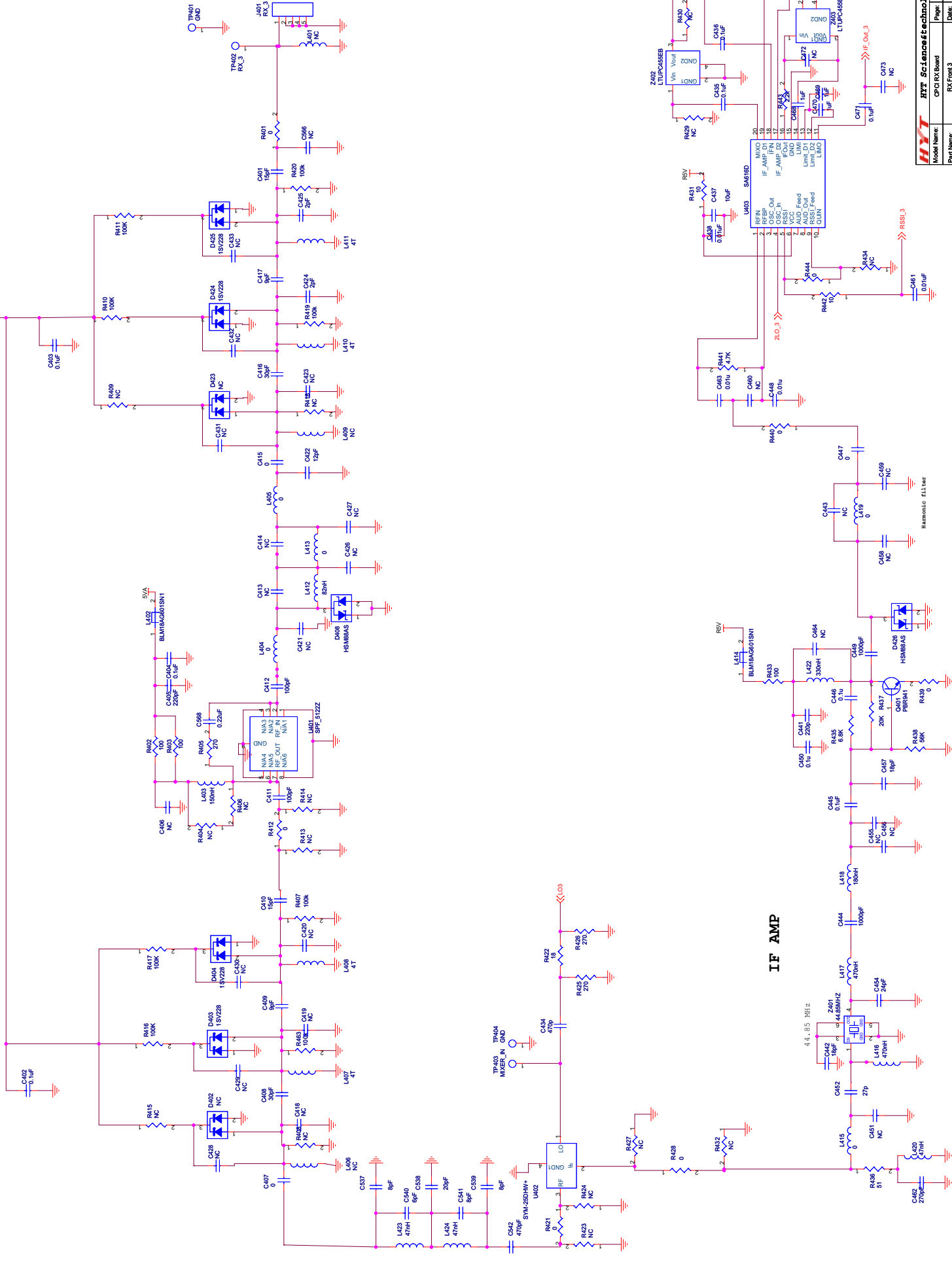
Model Name:	CPCI RX Board
Part Name:	RX Front 2
File No.:	HYY-RS-GCD-CD
Prepare:	Check:
Date:	Rev:
3 of 7	1.0

### IF AMP

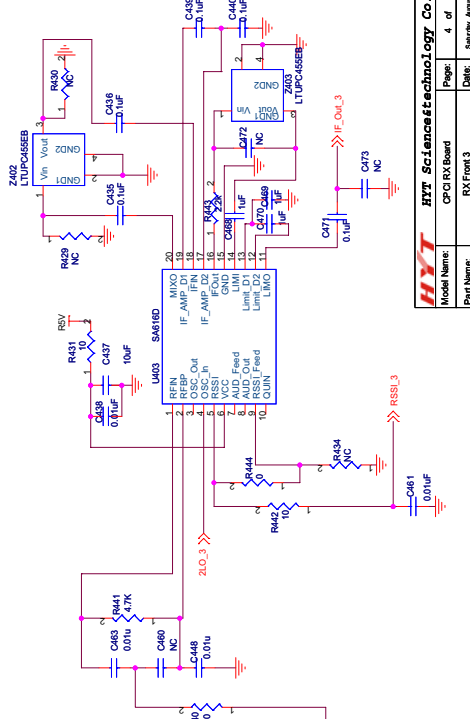
4.4 - 8.5MHz

Harmonic Filter

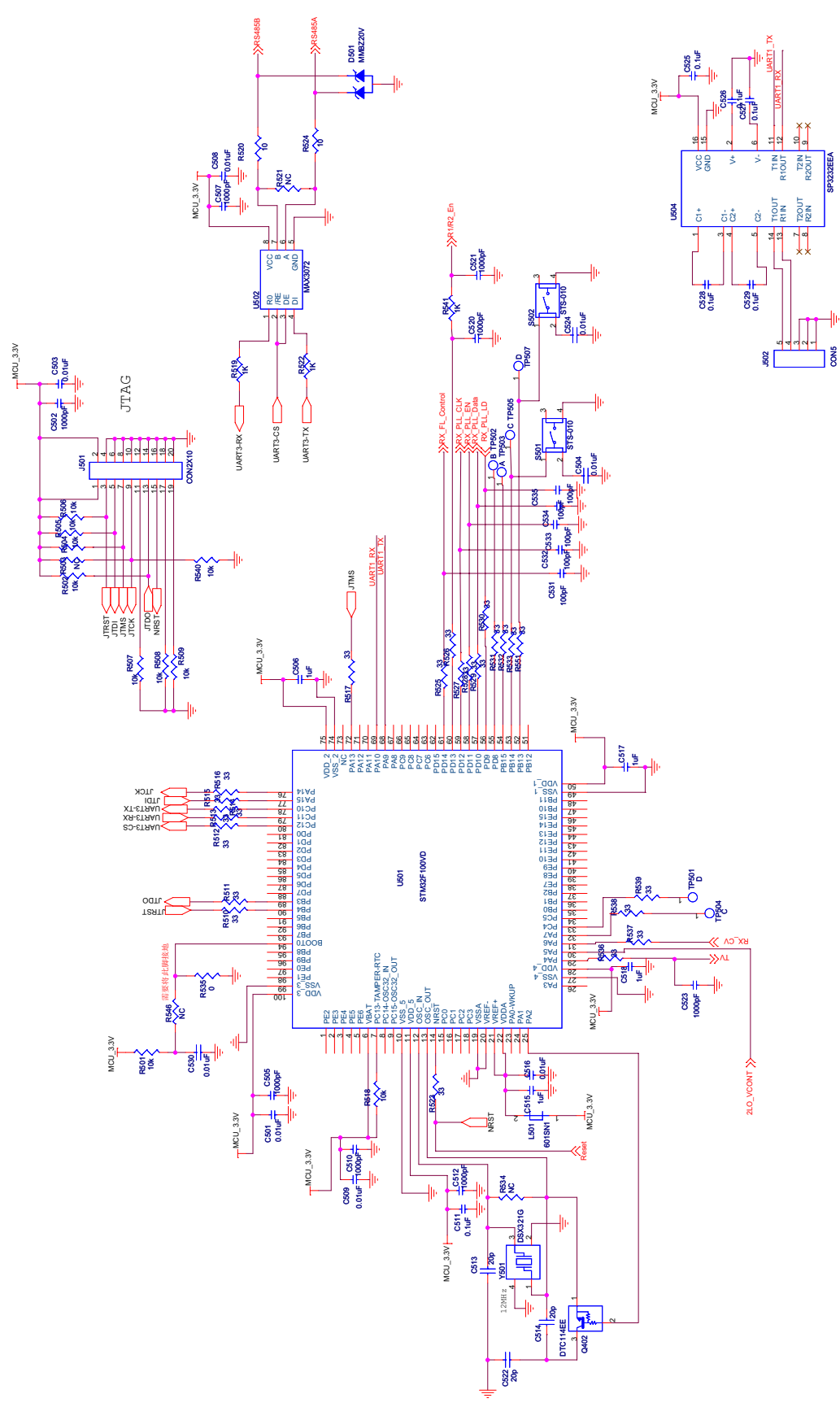
RX TV

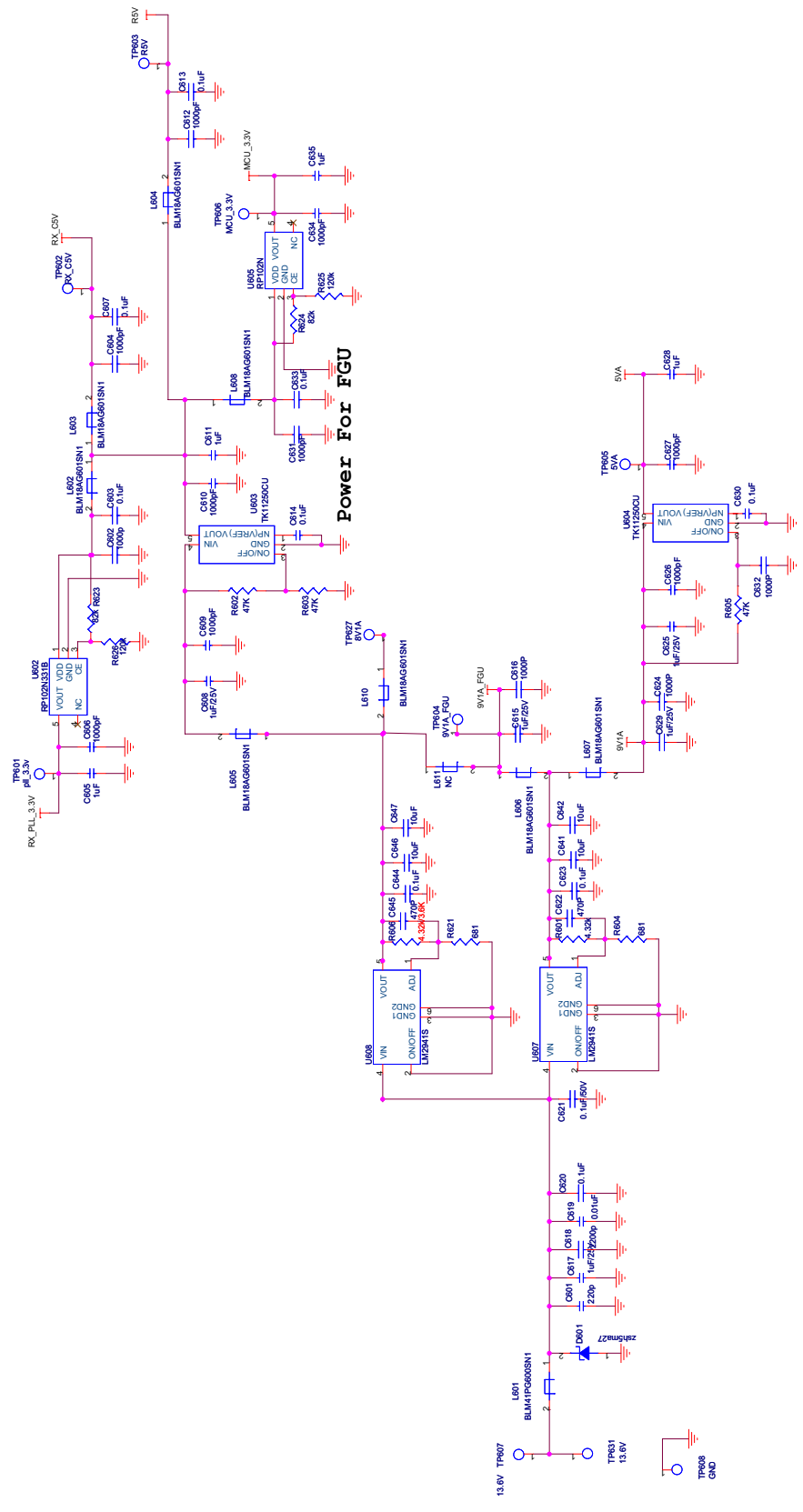


**IF AMP**

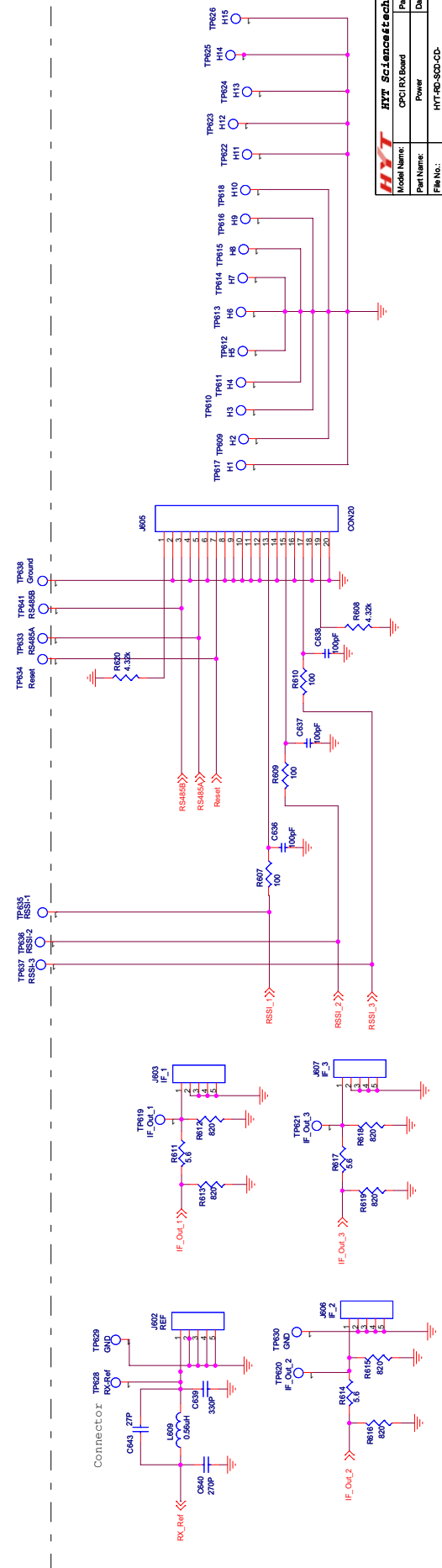


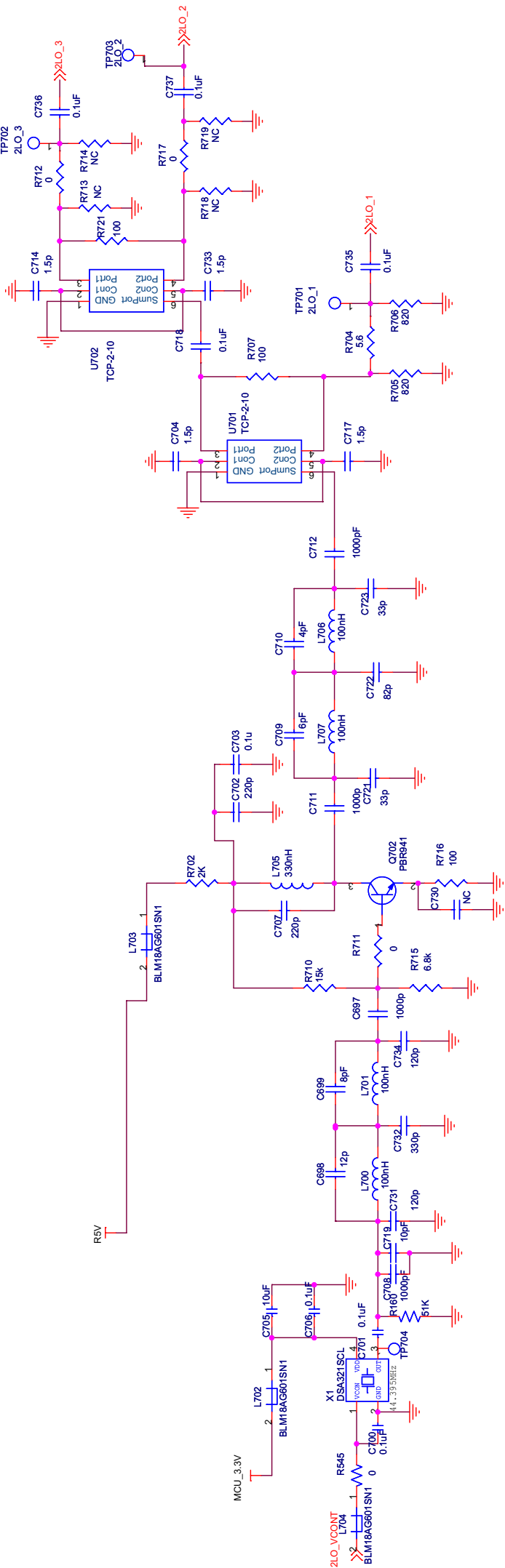




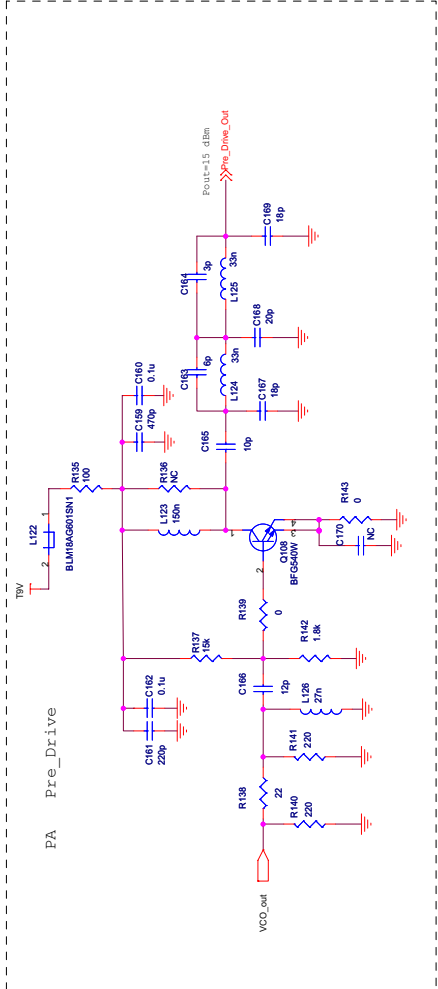
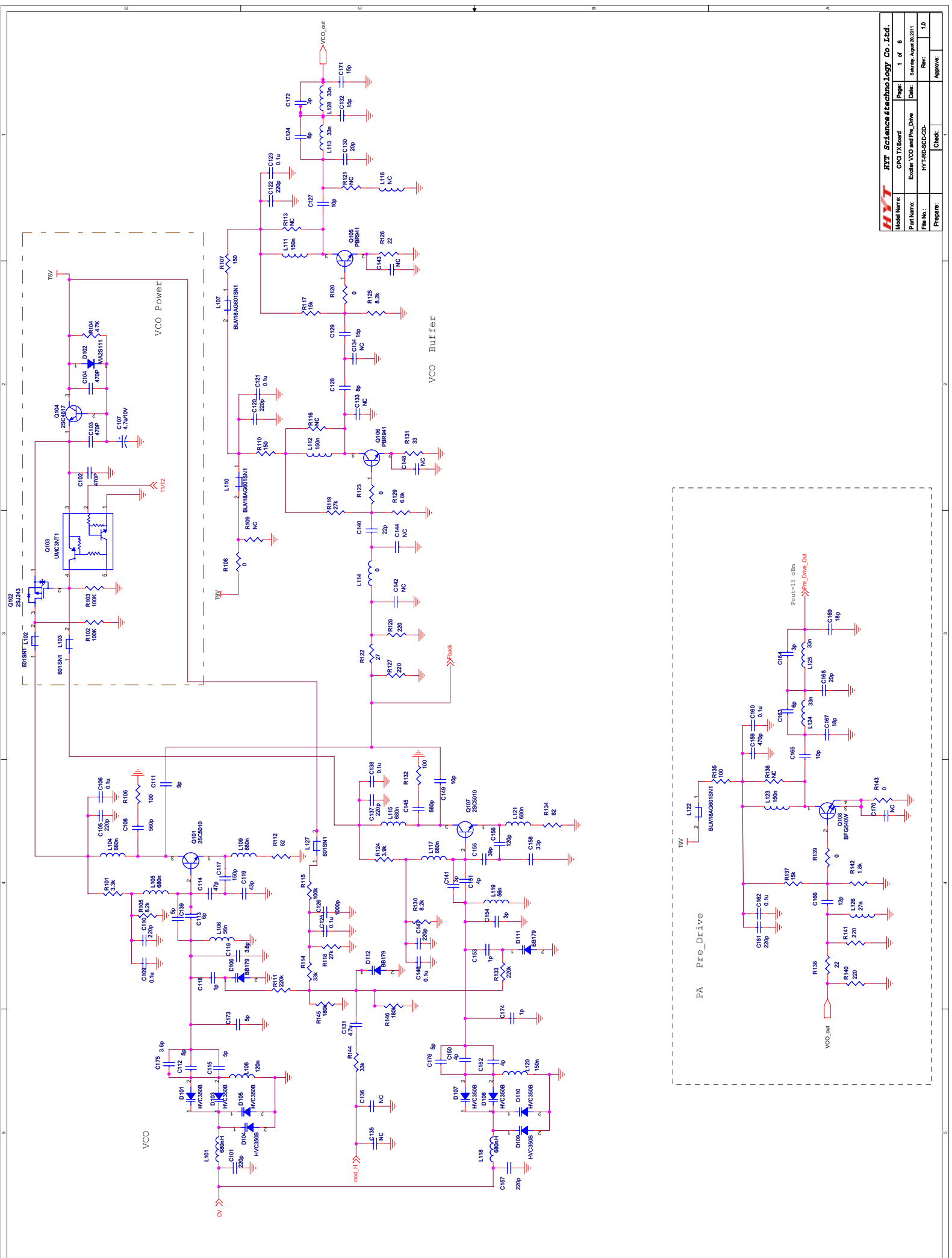


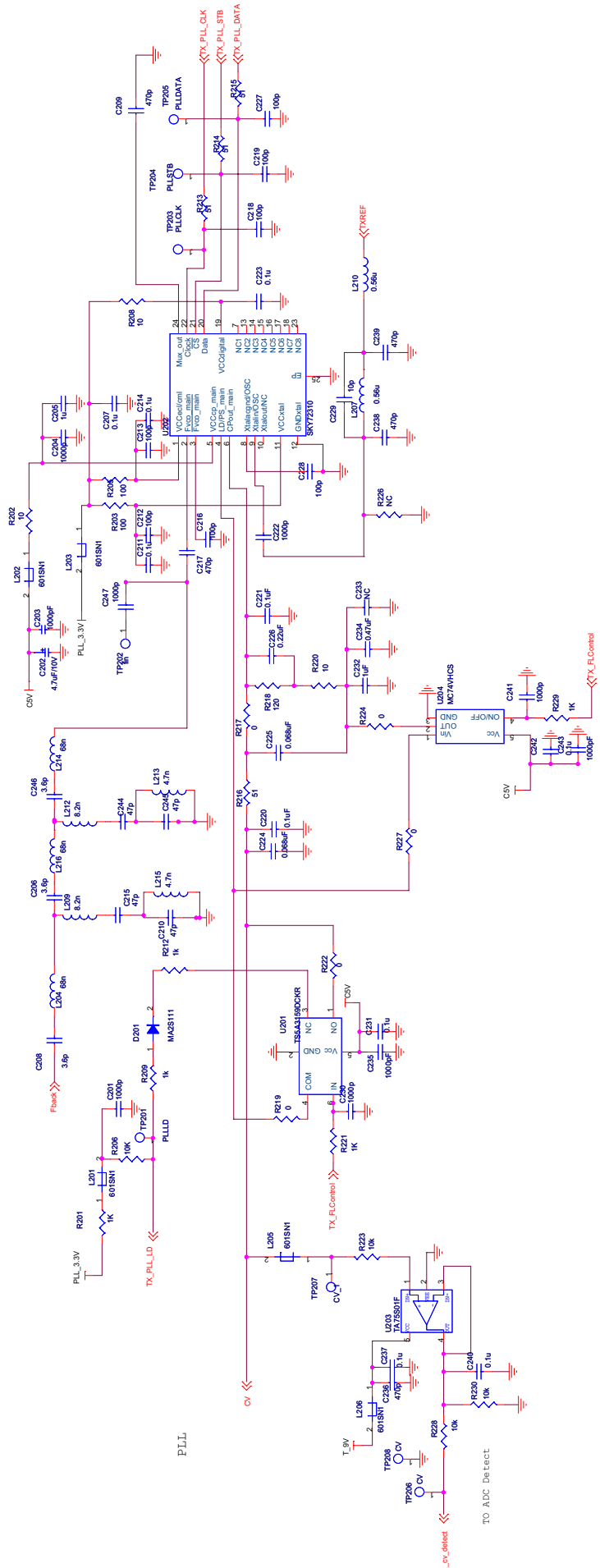
**Power For RX**

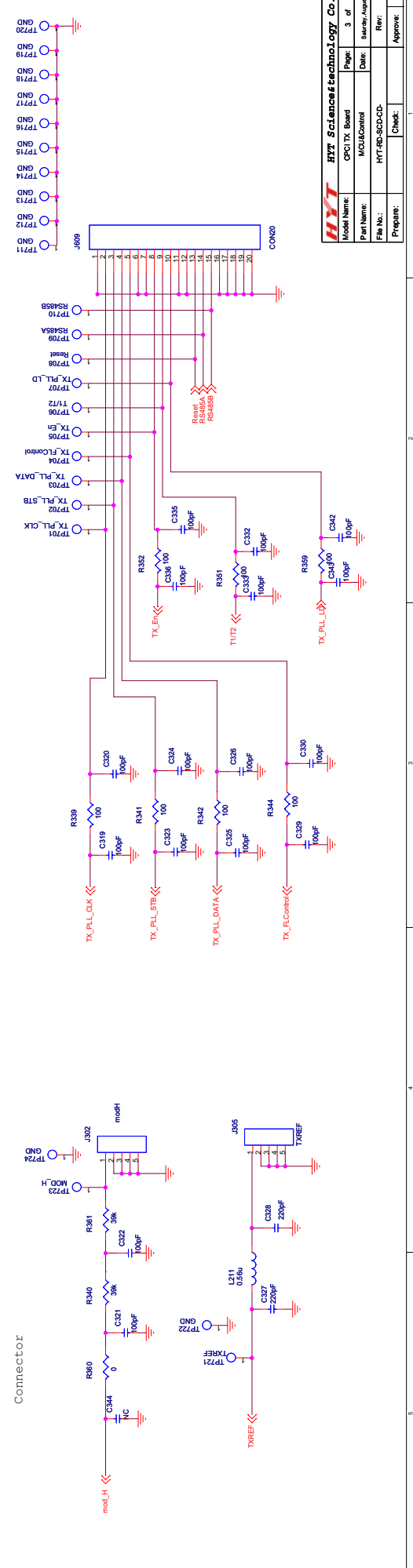
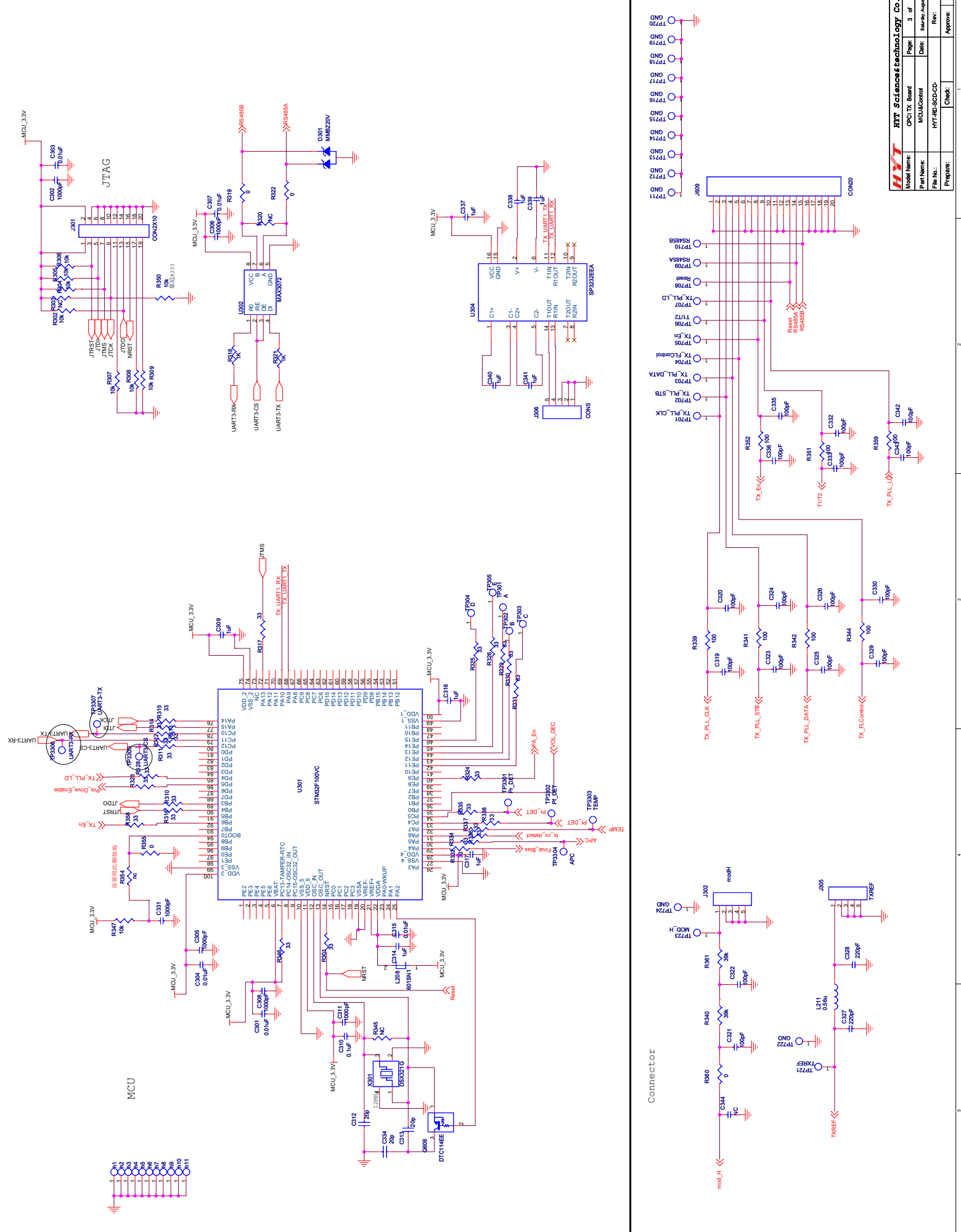




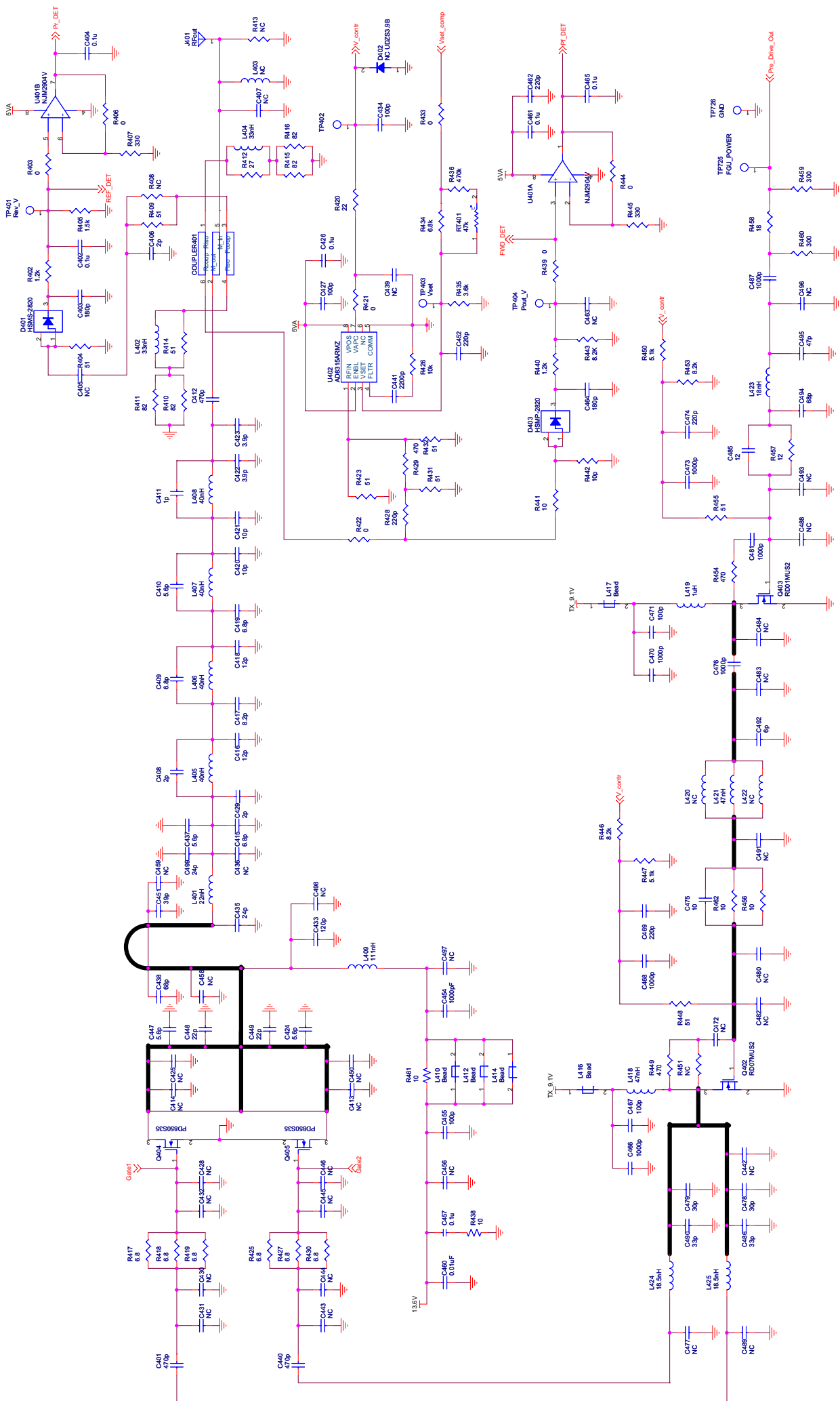
<b>HYT</b> <i>HYT Science &amp; Technology Co. Ltd.</i>	
Model Name:	CPCI RX Board
Page:	7 of 7
Part Name:	2LO
Date:	Saturday, August 20, 2011
File No.:	HYT-RD-SCD-CD-
Rev:	1.0
Prepare:	Check:
Approve:	



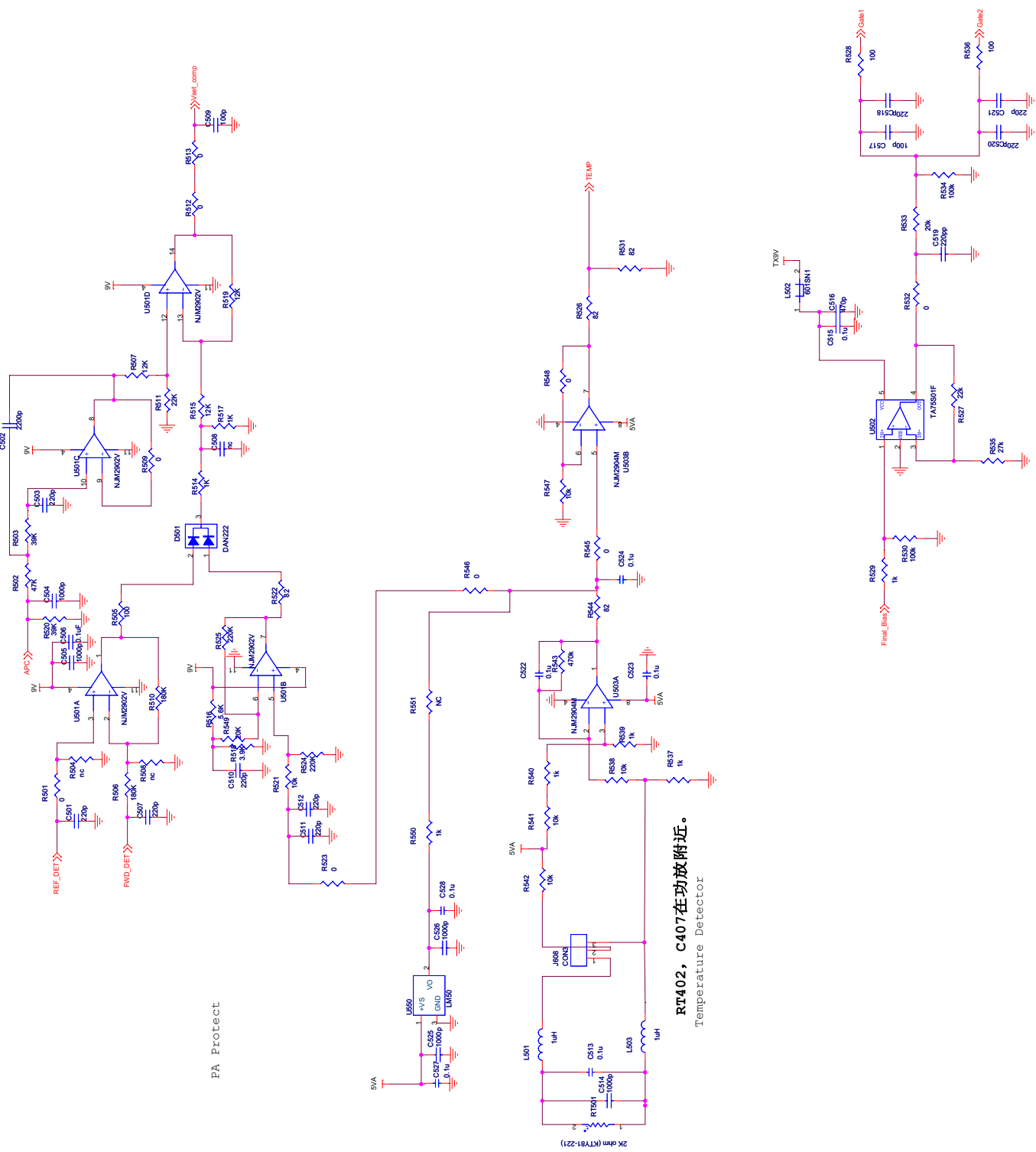




<b>HYT</b>		<b>HYT Science &amp; Technology Co., Ltd.</b>	
Model Name:	CPIC TX Board	Page:	3 of 6
Part Name:	MCUControl	Date:	January, August 2011
File No.:	HYT-RD-SCD-CD	Check:	
Prepare:		Rev:	1.0
		Approve:	



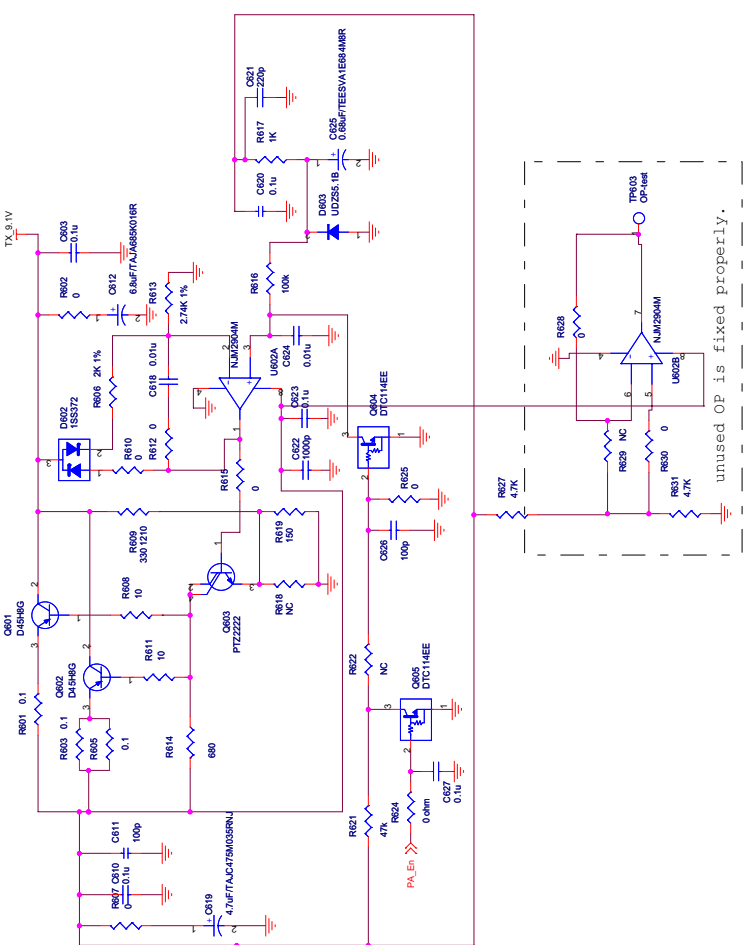
<b>HVT Science &amp; Technology Co., Ltd.</b>	
Model Name: CPCI TX Board	Page: 4 of 6
Part Name: PA	Date: 19/05/2011
File No.: HVT-RO-SCD-CD	Rev: 1.0
Prepared:	Check:
	Approve:



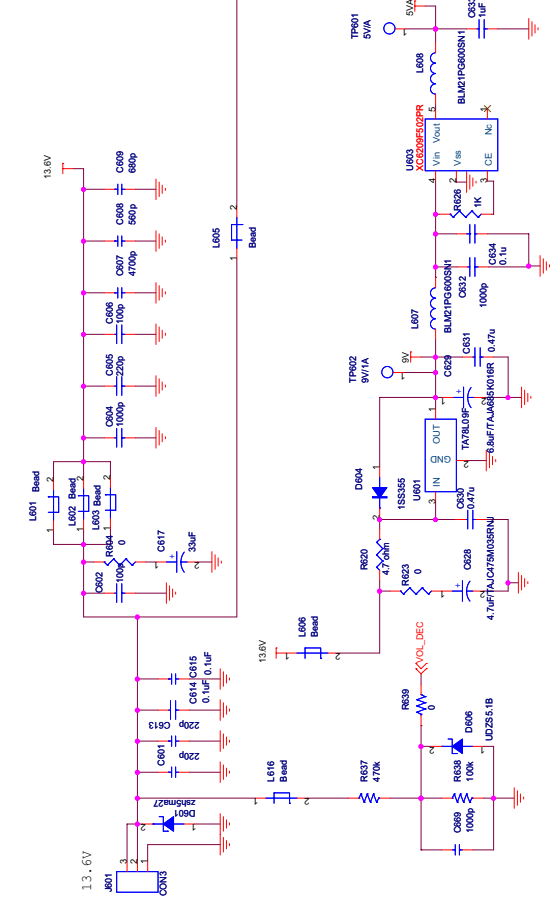
PA Protect

RT402, C407在功放附近。  
Temperature Detector

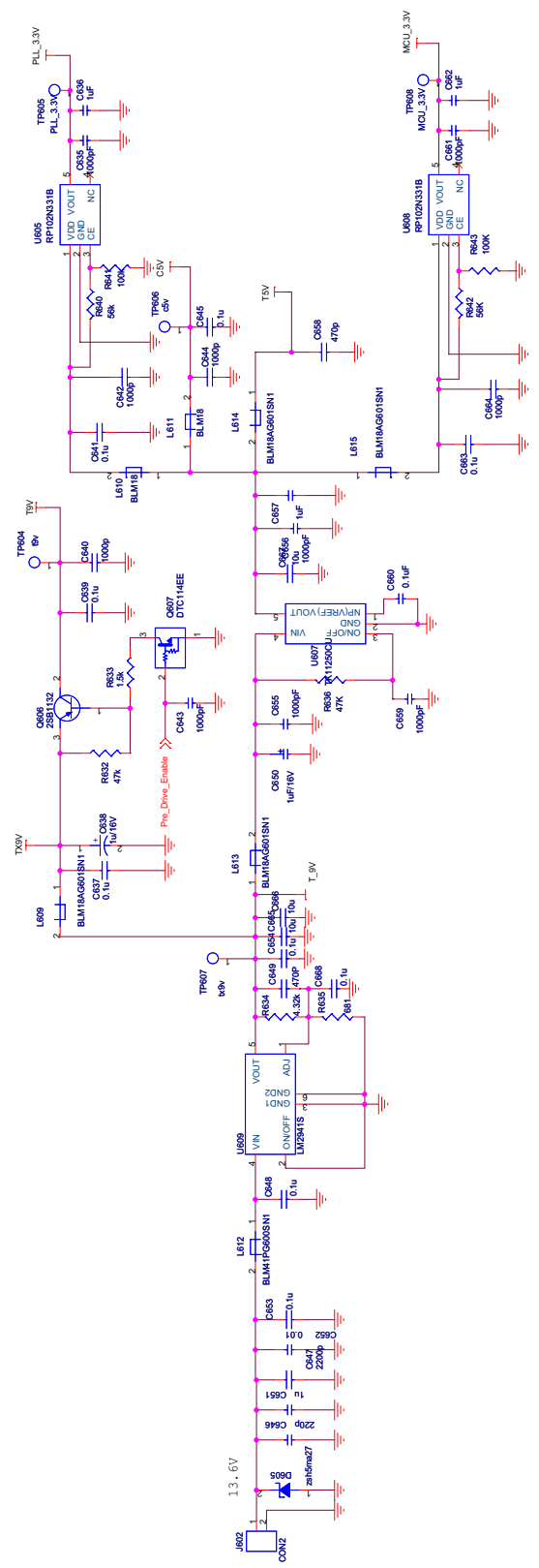




unused Op is fixed properly.

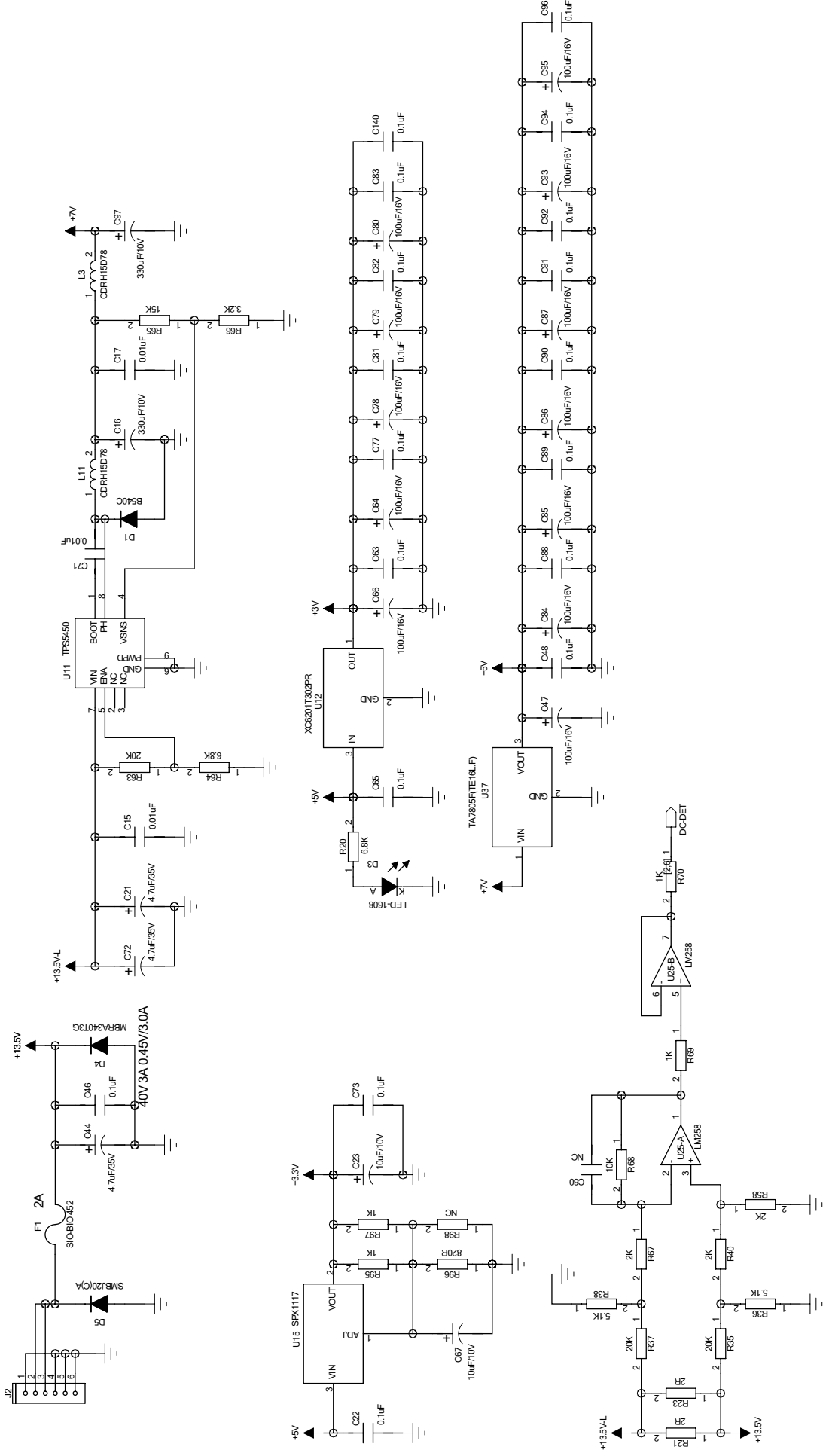


PA Power

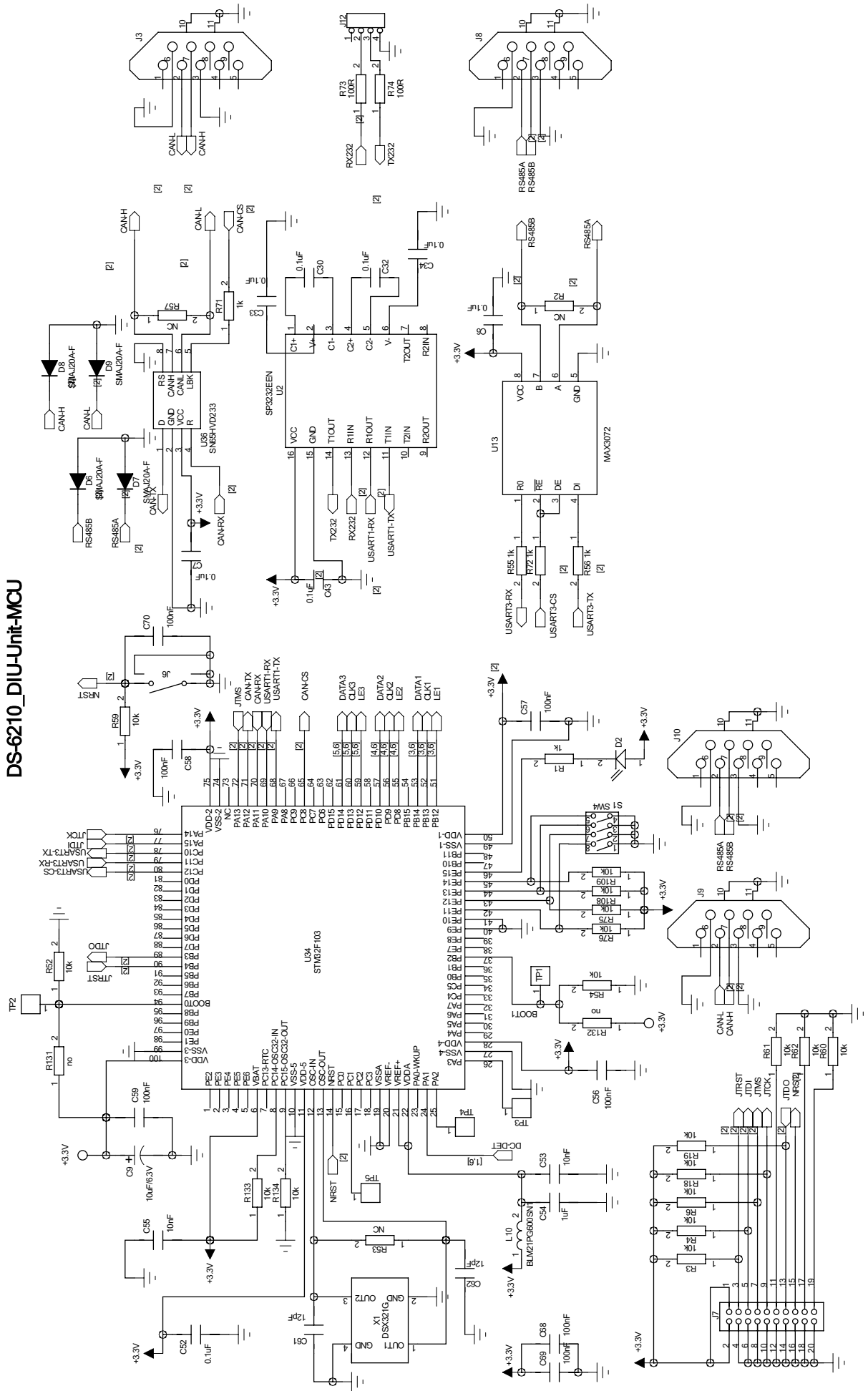


HYT Science & Technology Co. Ltd.	
Model Name:	CPCI TX Board
Part Name:	Power
File No.:	HYT-RD-SCD-CD
Prepare:	Check:
Page:	6 of 6
Date:	Sunday, April 25, 2011
Rev:	1.0
Approve:	

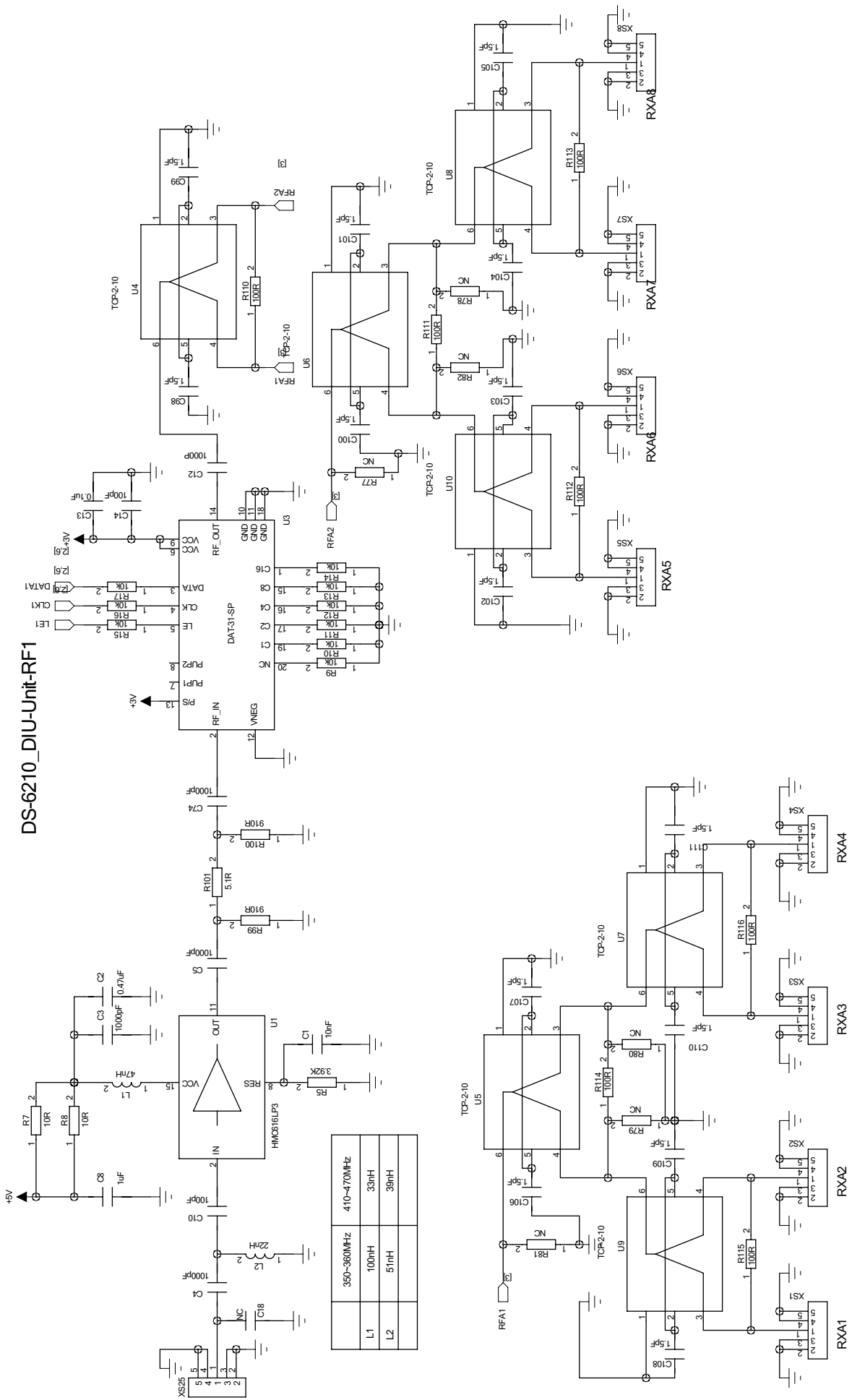
# DS-6210\_DIU-Unit-POWER



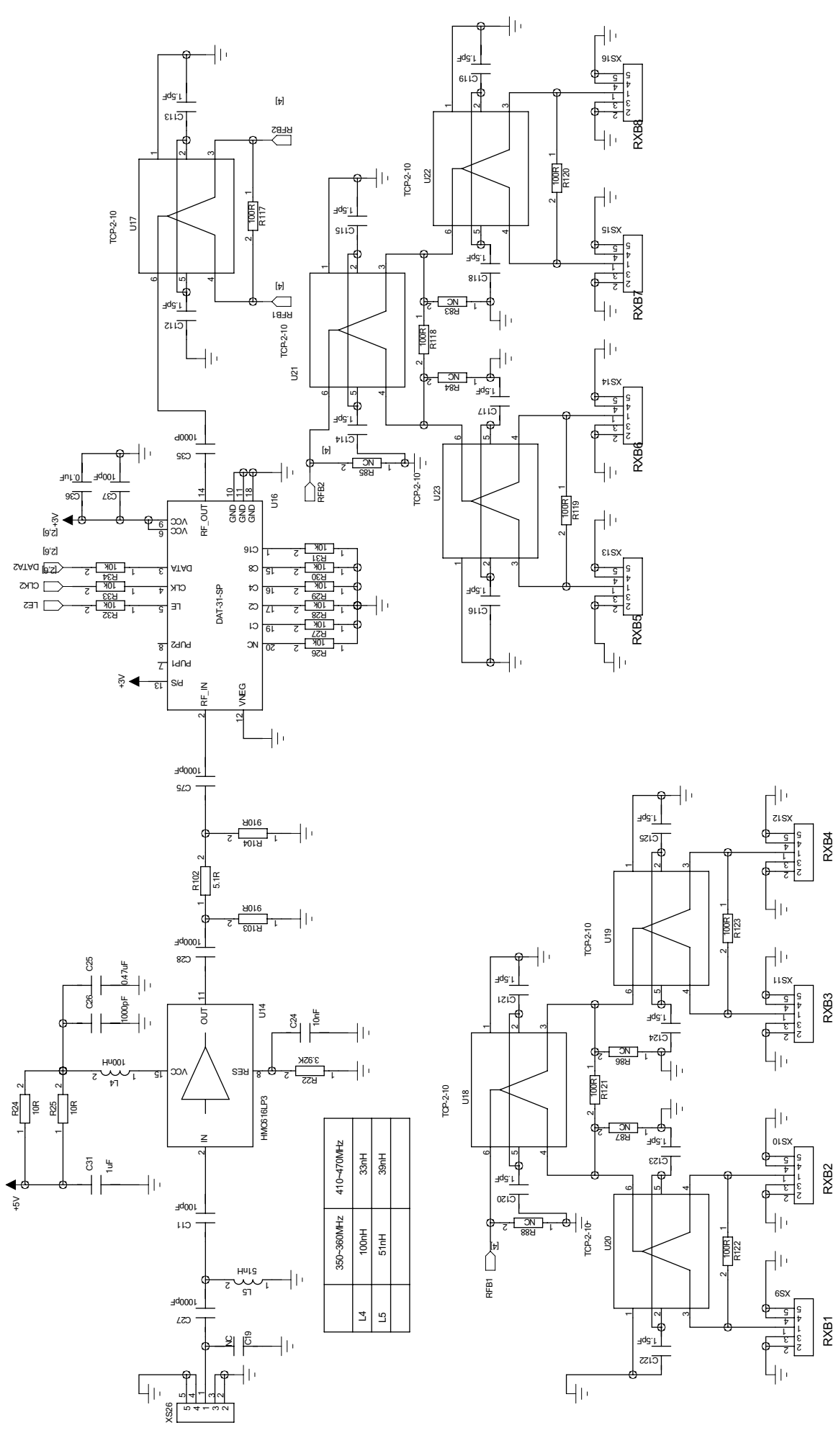
# DS-6210\_DIU-Unit-MCU



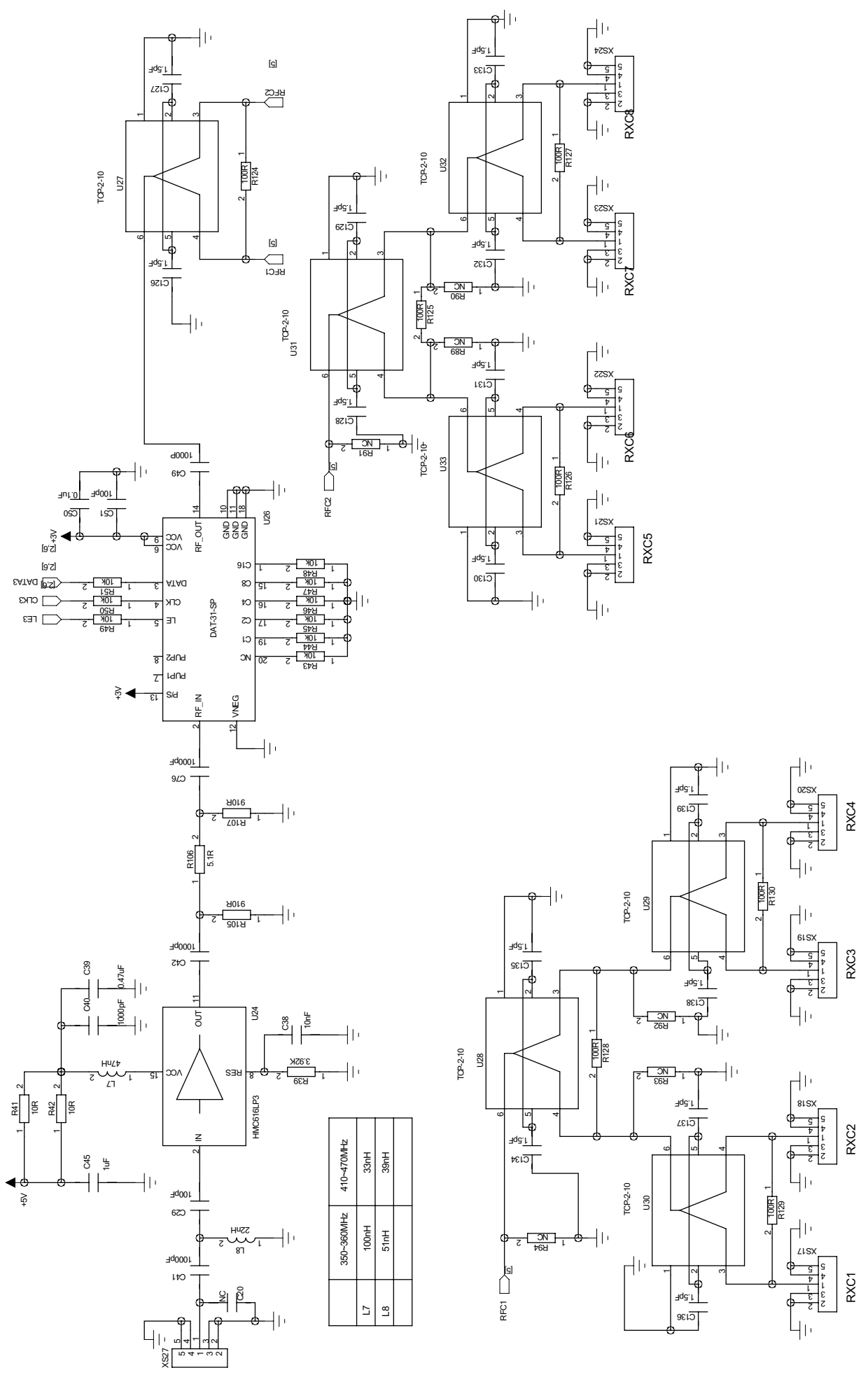
# DS-6210\_DIU-Unit-RF1



	350~360MHz	410~470MHz
L1	100nH	33nH
L2	51nH	39nH

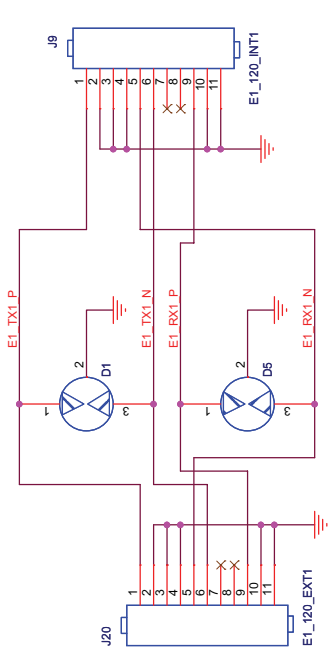


	350-360MHz	410-470MHz
L4	100nH	33nH
L5	51nH	39nH

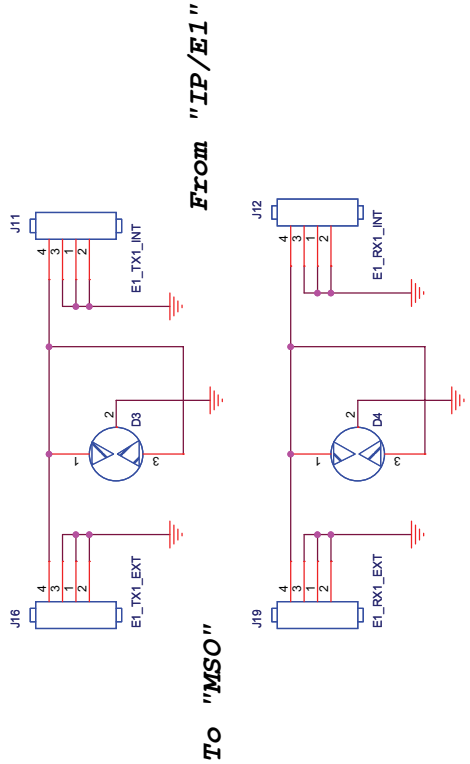


	350-360MHz	410-470MHz
L7	100nH	33nH
L8	51nH	39nH

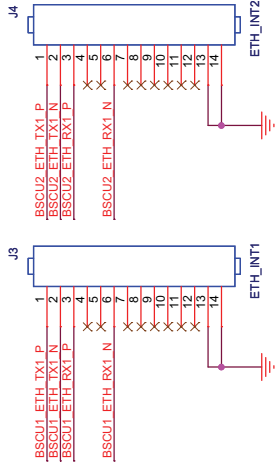
# DS-6210 EIB\_A



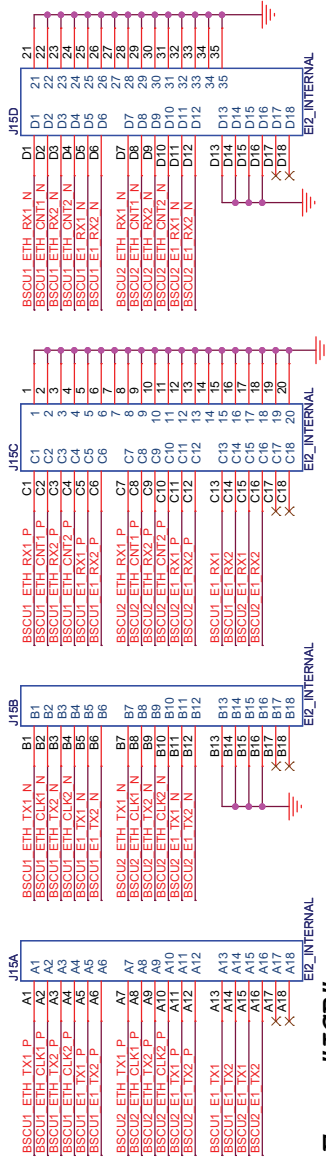
To "MSO" From "IP/E1"



To "MSO" From "IP/E1"

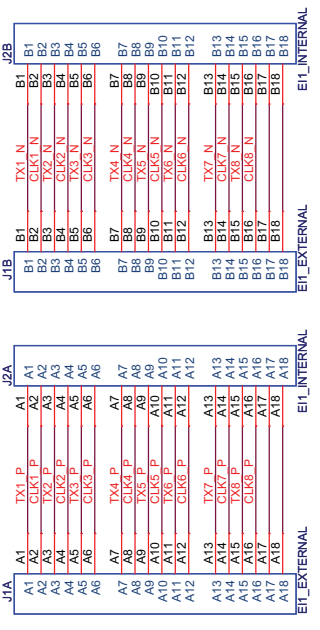


To "IP/E1" or "Router" From "ICB"



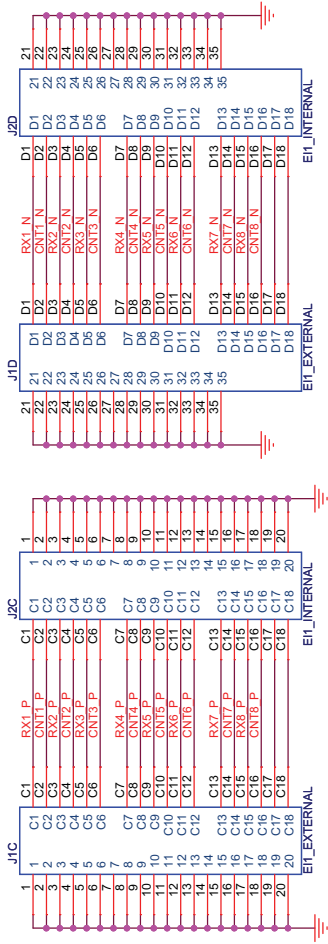
To "IP/E1" or "Router" From "ICB"

# DS-6210 EIB\_B



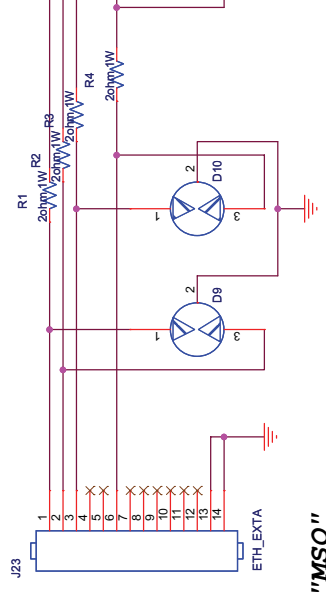
To "MSO"

From "IP/E1"



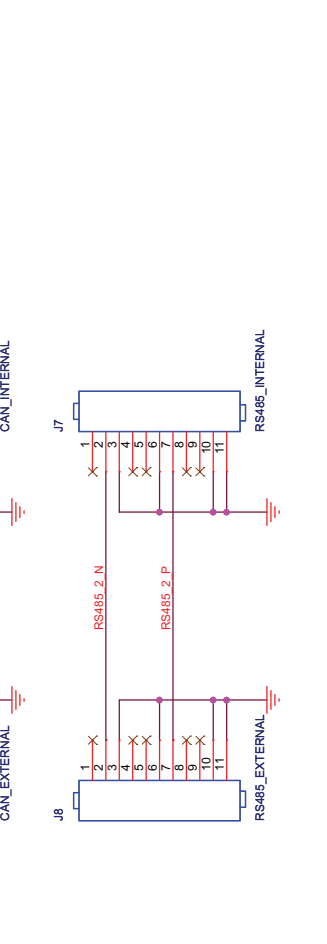
To "MSO"

From "Router"



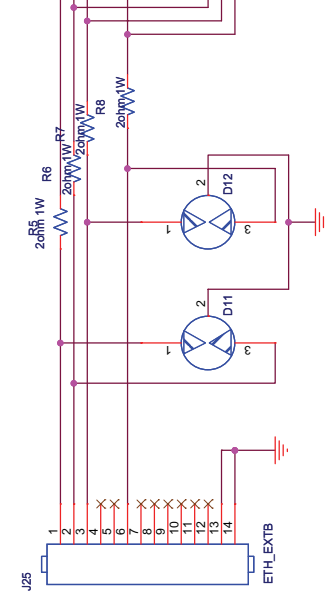
To "MSO"

From "Router"



To "MSO"

From "Router"



To "MSO"

From "Router"





