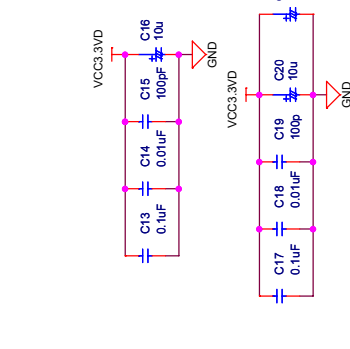
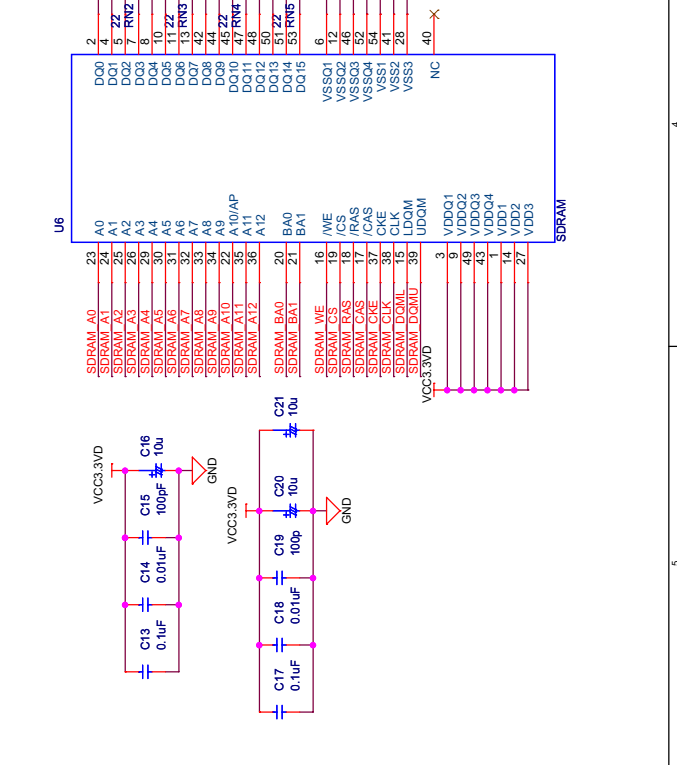
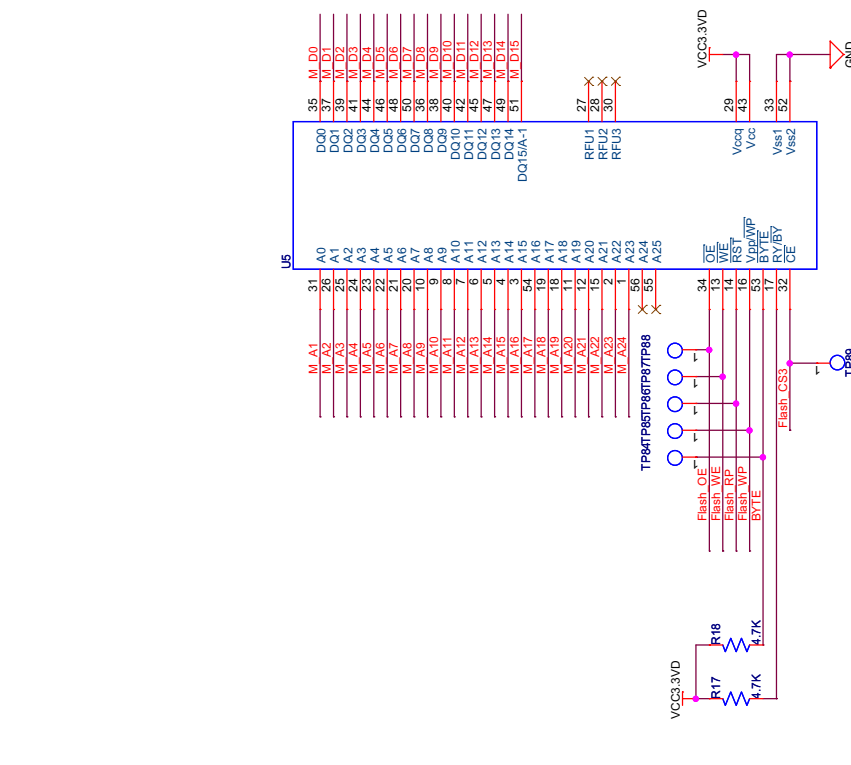
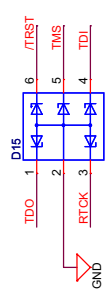
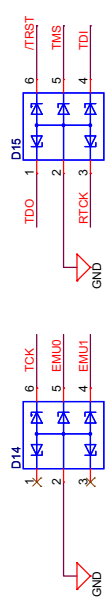
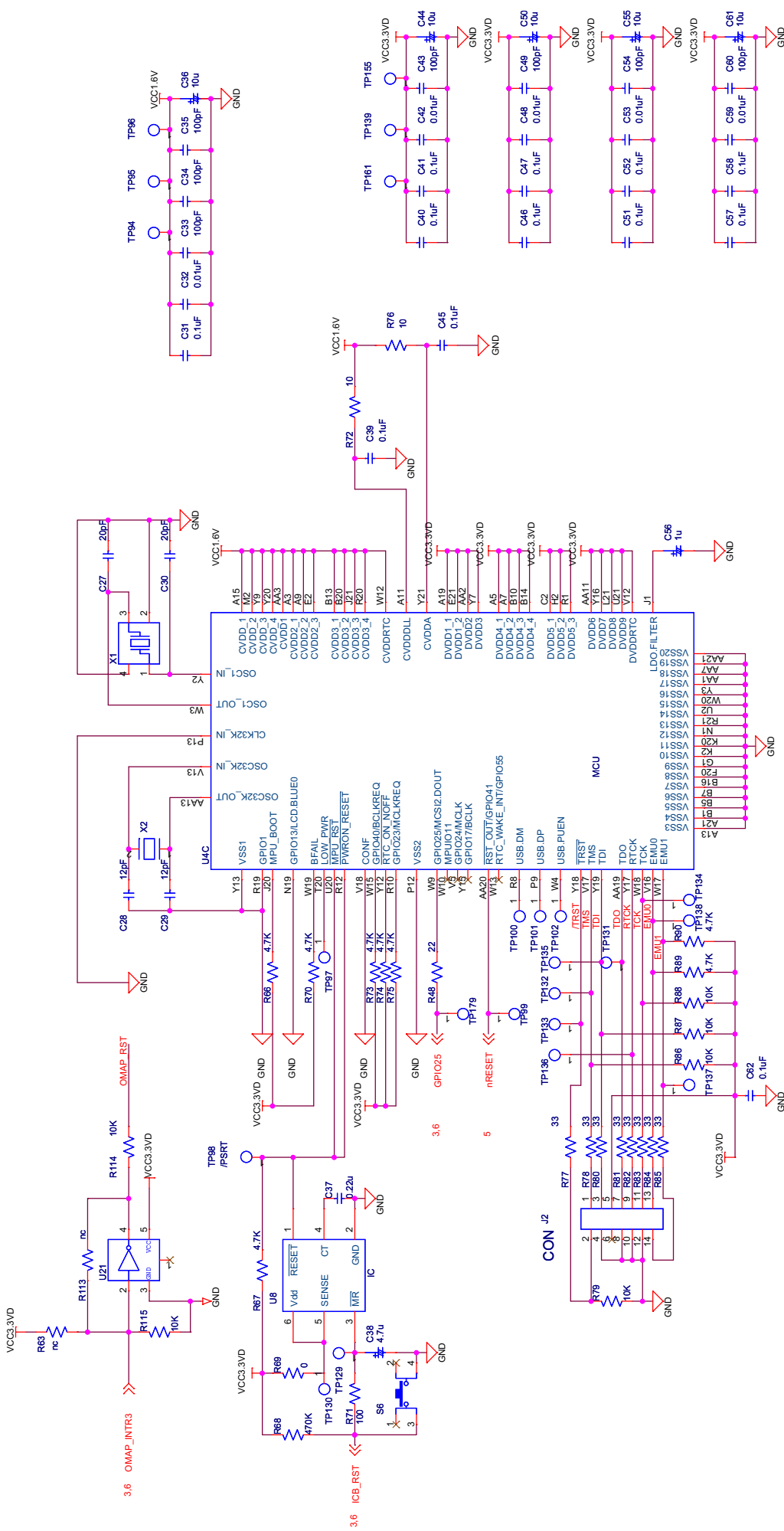


5 M_A1-9j

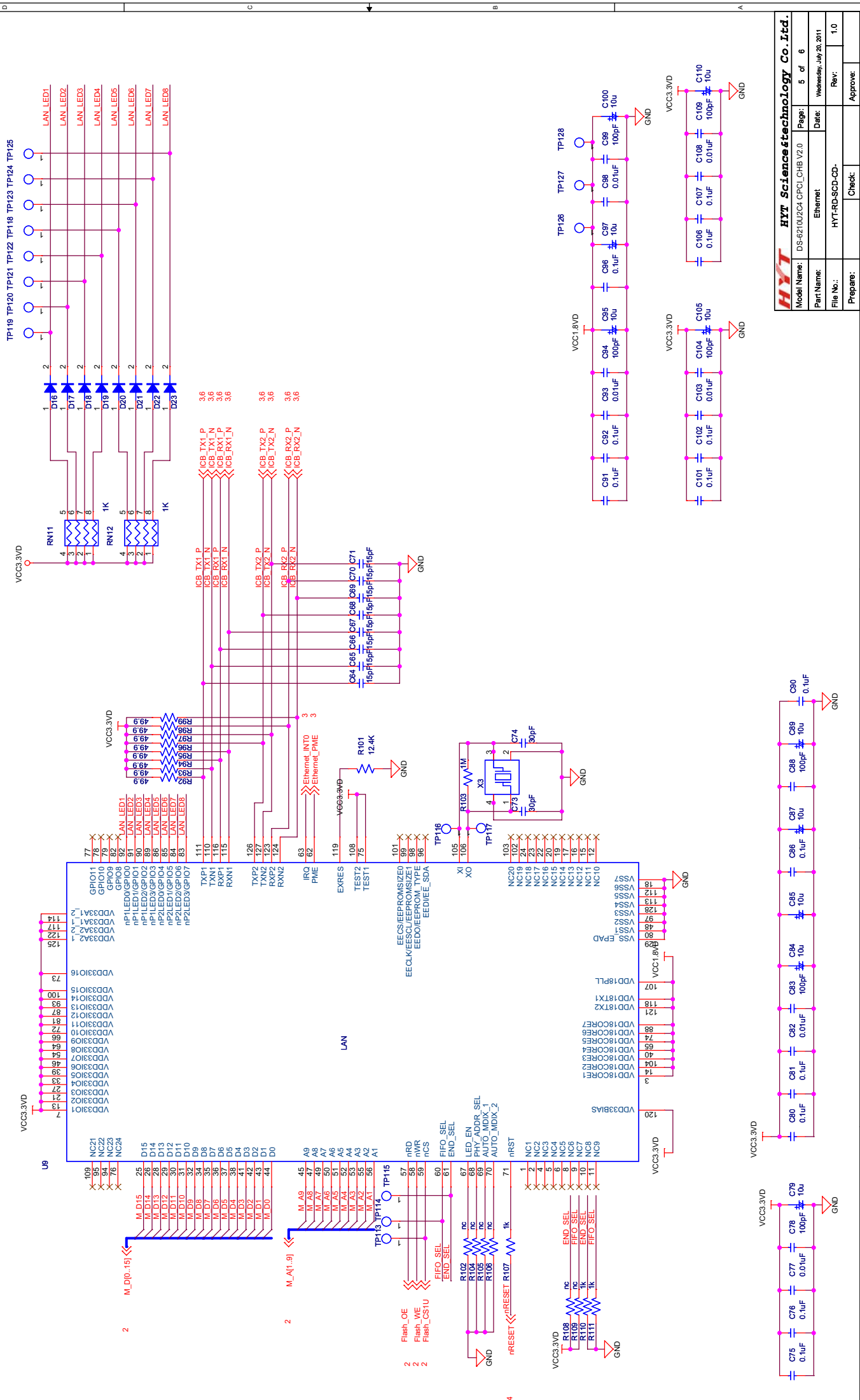
5 M_D10-15j

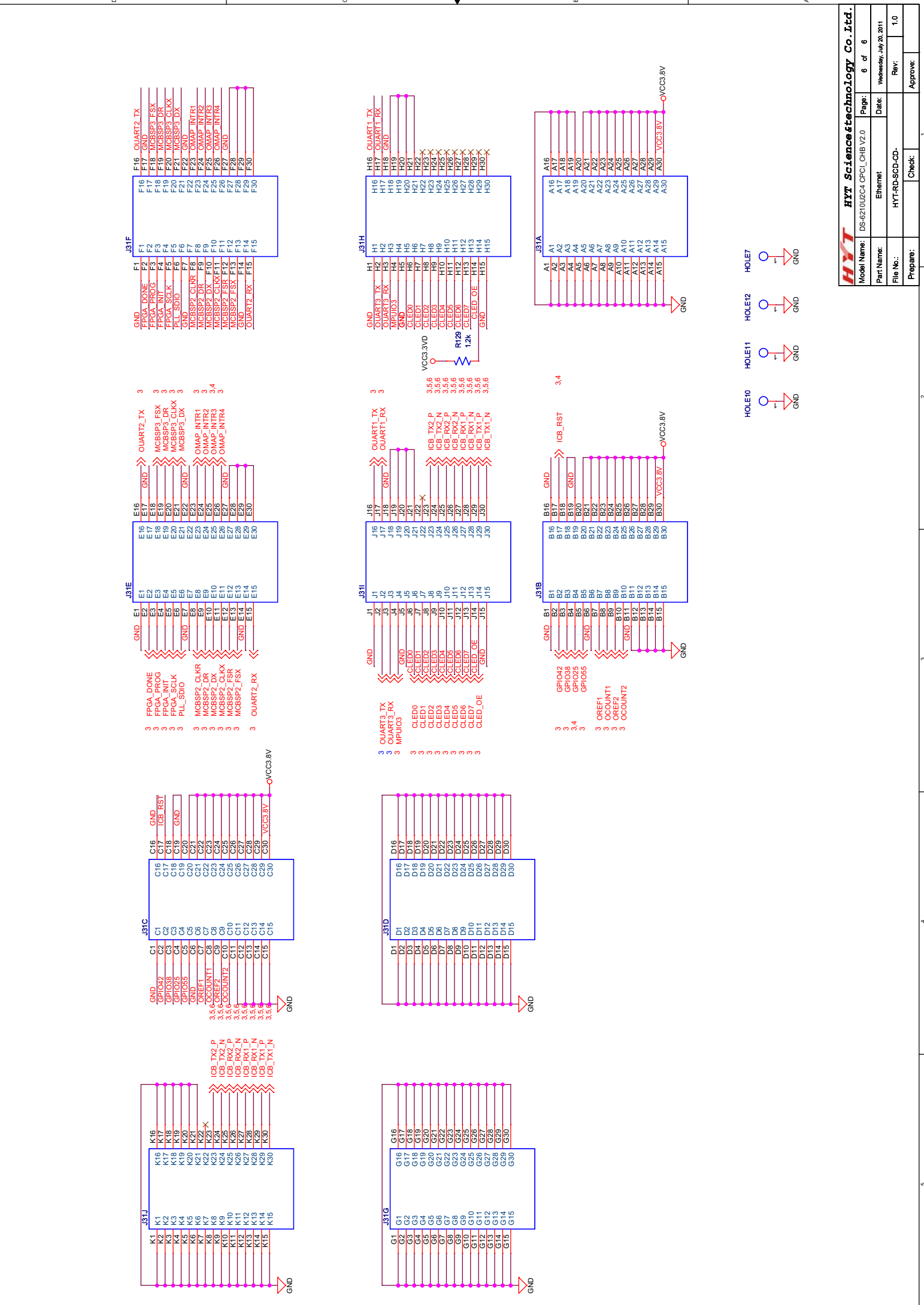


U5	U6
31 M_A1	23 SDRAM A0
32 M_A2	24 SDRAM A1
33 M_A3	25 SDRAM A2
34 M_A4	26 SDRAM A3
35 M_A5	27 SDRAM A4
36 M_A6	28 SDRAM A5
37 M_A7	29 SDRAM A6
38 M_A8	30 SDRAM A7
39 M_A9	31 SDRAM A8
40 M_A10	32 SDRAM A9
41 M_A11	33 SDRAM A10
42 M_A12	34 SDRAM A11
43 M_A13	35 SDRAM A12
44 M_A14	36 SDRAM A13
45 M_A15	37 SDRAM A14
46 M_D0	38 SDRAM A15
47 M_D1	39 SDRAM B0
48 M_D2	40 SDRAM B1
49 M_D3	41 SDRAM B2
50 M_D4	42 SDRAM B3
51 M_D5	43 SDRAM B4
52 M_D6	44 SDRAM B5
53 M_D7	45 SDRAM B6
54 M_D8	46 SDRAM B7
55 M_D9	47 SDRAM B8
56 M_D10	48 SDRAM B9
57 M_D11	49 SDRAM B10
58 M_D12	50 SDRAM B11
59 M_D13	51 SDRAM B12
60 M_D14	52 SDRAM B13
61 M_D15	53 SDRAM B14
62 M_D16	54 SDRAM B15
63 M_D17	55 SDRAM B16
64 M_D18	56 SDRAM B17
65 M_D19	57 SDRAM B18
66 M_D20	58 SDRAM B19
67 M_D21	59 SDRAM B20
68 M_D22	60 SDRAM B21
69 M_D23	61 SDRAM B22
70 M_D24	62 SDRAM B23
71 M_D25	63 SDRAM B24
72 M_D26	64 SDRAM B25
73 M_D27	65 SDRAM B26
74 M_D28	66 SDRAM B27
75 M_D29	67 SDRAM B28
76 M_D30	68 SDRAM B29
77 M_D31	69 SDRAM B30
78 M_D32	70 SDRAM B31
79 M_D33	71 SDRAM B32
80 M_D34	72 SDRAM B33
81 M_D35	73 SDRAM B34
82 M_D36	74 SDRAM B35
83 M_D37	75 SDRAM B36
84 M_D38	76 SDRAM B37
85 M_D39	77 SDRAM B38
86 M_D40	78 SDRAM B39
87 M_D41	79 SDRAM B40
88 M_D42	80 SDRAM B41
89 M_D43	81 SDRAM B42
90 M_D44	82 SDRAM B43
91 M_D45	83 SDRAM B44
92 M_D46	84 SDRAM B45
93 M_D47	85 SDRAM B46
94 M_D48	86 SDRAM B47
95 M_D49	87 SDRAM B48
96 M_D50	88 SDRAM B49
97 M_D51	89 SDRAM B50
98 M_D52	90 SDRAM B51
99 M_D53	91 SDRAM B52
100 M_D54	92 SDRAM B53
101 M_D55	93 SDRAM B54
102 M_D56	94 SDRAM B55
103 M_D57	95 SDRAM B56
104 M_D58	96 SDRAM B57
105 M_D59	97 SDRAM B58
106 M_D60	98 SDRAM B59
107 M_D61	99 SDRAM B60
108 M_D62	100 SDRAM B61
109 M_D63	101 SDRAM B62
110 M_D64	102 SDRAM B63
111 M_D65	103 SDRAM B64
112 M_D66	104 SDRAM B65
113 M_D67	105 SDRAM B66
114 M_D68	106 SDRAM B67
115 M_D69	107 SDRAM B68
116 M_D70	108 SDRAM B69
117 M_D71	109 SDRAM B70
118 M_D72	110 SDRAM B71
119 M_D73	111 SDRAM B72
120 M_D74	112 SDRAM B73
121 M_D75	113 SDRAM B74
122 M_D76	114 SDRAM B75
123 M_D77	115 SDRAM B76
124 M_D78	116 SDRAM B77
125 M_D79	117 SDRAM B78
126 M_D80	118 SDRAM B79
127 M_D81	119 SDRAM B80
128 M_D82	120 SDRAM B81
129 M_D83	121 SDRAM B82
130 M_D84	122 SDRAM B83
131 M_D85	123 SDRAM B84
132 M_D86	124 SDRAM B85
133 M_D87	125 SDRAM B86
134 M_D88	126 SDRAM B87
135 M_D89	127 SDRAM B88
136 M_D90	128 SDRAM B89
137 M_D91	129 SDRAM B90
138 M_D92	130 SDRAM B91
139 M_D93	131 SDRAM B92
140 M_D94	132 SDRAM B93
141 M_D95	133 SDRAM B94
142 M_D96	134 SDRAM B95
143 M_D97	135 SDRAM B96
144 M_D98	136 SDRAM B97
145 M_D99	137 SDRAM B98
146 M_D100	138 SDRAM B99
147 M_D101	139 SDRAM B100
148 M_D102	140 SDRAM B101
149 M_D103	141 SDRAM B102
150 M_D104	142 SDRAM B103
151 M_D105	143 SDRAM B104
152 M_D106	144 SDRAM B105
153 M_D107	145 SDRAM B106
154 M_D108	146 SDRAM B107
155 M_D109	147 SDRAM B108
156 M_D110	148 SDRAM B109
157 M_D111	149 SDRAM B110
158 M_D112	150 SDRAM B111
159 M_D113	151 SDRAM B112
160 M_D114	152 SDRAM B113
161 M_D115	153 SDRAM B114
162 M_D116	154 SDRAM B115
163 M_D117	155 SDRAM B116
164 M_D118	156 SDRAM B117
165 M_D119	157 SDRAM B118
166 M_D120	158 SDRAM B119
167 M_D121	159 SDRAM B120
168 M_D122	160 SDRAM B121
169 M_D123	161 SDRAM B122
170 M_D124	162 SDRAM B123
171 M_D125	163 SDRAM B124
172 M_D126	164 SDRAM B125
173 M_D127	165 SDRAM B126
174 M_D128	166 SDRAM B127
175 M_D129	167 SDRAM B128
176 M_D130	168 SDRAM B129
177 M_D131	169 SDRAM B130
178 M_D132	170 SDRAM B131
179 M_D133	171 SDRAM B132
180 M_D134	172 SDRAM B133
181 M_D135	173 SDRAM B134
182 M_D136	174 SDRAM B135
183 M_D137	175 SDRAM B136
184 M_D138	176 SDRAM B137
185 M_D139	177 SDRAM B138
186 M_D140	178 SDRAM B139
187 M_D141	179 SDRAM B140
188 M_D142	180 SDRAM B141
189 M_D143	181 SDRAM B142
190 M_D144	182 SDRAM B143
191 M_D145	183 SDRAM B144
192 M_D146	184 SDRAM B145
193 M_D147	185 SDRAM B146
194 M_D148	186 SDRAM B147
195 M_D149	187 SDRAM B148
196 M_D150	188 SDRAM B149
197 M_D151	189 SDRAM B150
198 M_D152	190 SDRAM B151
199 M_D153	191 SDRAM B152
200 M_D154	192 SDRAM B153
201 M_D155	193 SDRAM B154
202 M_D156	194 SDRAM B155
203 M_D157	195 SDRAM B156
204 M_D158	196 SDRAM B157
205 M_D159	197 SDRAM B158
206 M_D160	198 SDRAM B159
207 M_D161	199 SDRAM B160
208 M_D162	200 SDRAM B161
209 M_D163	201 SDRAM B162
210 M_D164	202 SDRAM B163
211 M_D165	203 SDRAM B164
212 M_D166	204 SDRAM B165
213 M_D167	205 SDRAM B166
214 M_D168	206 SDRAM B167
215 M_D169	207 SDRAM B168
216 M_D170	208 SDRAM B169
217 M_D171	209 SDRAM B170
218 M_D172	210 SDRAM B171
219 M_D173	211 SDRAM B172
220 M_D174	212 SDRAM B173
221 M_D175	213 SDRAM B174
222 M_D176	214 SDRAM B175
223 M_D177	215 SDRAM B176
224 M_D178	216 SDRAM B177
225 M_D179	217 SDRAM B178
226 M_D180	218 SDRAM B179
227 M_D181	219 SDRAM B180
228 M_D182	220 SDRAM B181
229 M_D183	221 SDRAM B182
230 M_D184	222 SDRAM B183
231 M_D185	223 SDRAM B184
232 M_D186	224 SDRAM B185
233 M_D187	225 SDRAM B186
234 M_D188	226 SDRAM B187
235 M_D189	227 SDRAM B188
236 M_D190	228 SDRAM B189
237 M_D191	229 SDRAM B190
238 M_D192	230 SDRAM B191
239 M_D193	231 SDRAM B192
240 M_D194	232 SDRAM B193
241 M_D195	233 SDRAM B194
242 M_D196	234 SDRAM B195
243 M_D197	235 SDRAM B196
244 M_D198	236 SDRAM B197
245 M_D199	237 SDRAM B198
246 M_D200	238 SDRAM B199
247 M_D201	239 SDRAM B200
248 M_D202	240 SDRAM B201
249 M_D203	241 SDRAM B202
250 M_D204	242 SDRAM B203
251 M_D205	243 SDRAM B204
252 M_D206	244 SDRAM B205
253 M_D207	245 SDRAM B206
254 M_D208	246 SDRAM B207
255 M_D209	247 SDRAM B208
256 M_D210	248 SDRAM B209
257 M_D211	249 SDRAM B210
258 M_D212	250 SDRAM B211
259 M_D213	251 SDRAM B212
260 M_D214	252 SDRAM B213
261 M_D215	253 SDRAM B214
262 M_D216	254 SDRAM B215
263 M_D217	255 SDRAM B216
264 M_D218	256 SDRAM B217
265 M_D219	257 SDRAM B218
266 M_D220	258 SDRAM B219
267 M_D221	259 SDRAM B220
268 M_D222	260 SDRAM B221
269 M_D223	261 SDRAM B222
270 M_D224	262 SDRAM B223
271 M_D225	263 SDRAM B224
272 M_D226	264 SDRAM B225
273 M_D227	265 SDRAM B226
274 M_D228	266 SDRAM B227
275 M_D229	267 SDRAM B228
276 M_D230	268 SDRAM B229
277 M_D231	269 SDRAM B230
278 M_D232	270 SDRAM B231
279 M_D233	271 SDRAM B232
280 M_D234	272 SDRAM B233
281 M_D235	273 SDRAM B234
282 M_D236	274 SDRAM B235
283 M_D237	275 SDRAM B236
284 M_D238	276 SDRAM B237
285 M_D239	277 SDRAM B238
286 M_D240	278 SDRAM B239
287 M_D241	279 SDRAM B240
288 M_D242	280 SDRAM B241
289 M_D243	281 SDRAM B242
290 M_D244	282 SDRAM B243
291 M_D245	283 SDRAM B244
292 M_D246	284 SDRAM B245
293 M_D247	285 SDRAM B246
294 M_D248	286 SDRAM B247
295 M_D249	287 SDRAM B248
296 M_D250	288 SDRAM B249
297 M_D251	289 SDRAM B250
298 M_D252	290 SDRAM B251
299 M_D253	291 SDRAM B252
300 M_D254	292 SDRAM B253
301 M_D255	293 SDRAM B254
302 M_D256	294 SDRAM B255
303 M_D257	295 SDRAM B256
304 M_D258	296 SDRAM B257
305 M_D259	297 SDRAM B258
306 M_D260	298 SDRAM B259
307 M_D261	299 SDRAM B260
308 M_D262	300 SDRAM B261
309 M_D263	301 SDRAM B262
310 M_D264	302 SDRAM B263
311 M_D265	303 SDRAM B264
312 M_D266	304 SDRAM B265
313 M_D267	305 SDRAM B266
314 M_D268	306 SDRAM B267
315 M_D269	307 SDRAM B268
316 M_D270	308 SDRAM B269
317 M_D271	309 SDRAM B270
318 M_D272	310 SDRAM B271
319 M_D273	311 SDRAM B272
320 M_D274	312 SDRAM B273
321 M_D275	313 SDRAM B274
322 M_D276	314 SDRAM B275
323 M_D277	315 SDRAM B276
324 M_D278	316 SDRAM B277
325 M_D279	317 SDRAM B278
326 M_D280	318 SDRAM B279
327 M_D281	319 SDRAM B280
328 M_D282	320 SDRAM B281
329 M_D283	321 SDRAM B282
330 M_D284	322 SDRAM B283
331 M_D285	323 SDRAM B284
332 M_D286	324 SDRAM B285
333 M_D287	325 SDRAM B286
334 M_D288	326 SDRAM B287
335 M_D289	327 SDRAM B288
336 M_D290	328 SDRAM B289
337 M_D291	329 SDRAM B290
338 M_D292	330 SDRAM B291
339 M_D293	331 SDRAM B292
340 M_D294	332 SDRAM B293
341 M_D295	333 SDRAM B294
342 M_D296	334 SDRAM B295
343 M_D297	335 SDRAM B296
344 M_D298	336 SDRAM B297
345 M_D299	337 SDRAM B298
346 M_D300	338 SDRAM B299
347 M_D301	339 SDRAM B300
348 M_D302	340 SDRAM B301
349 M_D303	341 SDRAM B302
350 M_D304	342 SDRAM B303
351 M_D305	343 SDRAM B304
352 M_D306	344 SDRAM B305
353 M_D307	345 SDRAM B306
354 M_D308	346 SDRAM B307
355 M_D309	347 SDRAM B308
356 M_D310	348 SDRAM B309
357 M_D311	349 SDRAM B310
358 M_D312	350 SDRAM B311
359 M_D313	351 SDRAM B312
360 M_D314	352 SDRAM B313
361 M_D315	353 SDRAM B314
362 M_D316	354 SDRAM B315
363 M_D317	355 SDRAM B316
364 M_D318	356 SDRAM B317
365 M_D319	357 SDRAM B318
366 M_D320	358 SDRAM B319
367 M_D321	359 SDRAM B320
368 M_D322	360 SDRAM B321
369 M_D323	361 SDRAM B322
370 M_D324	362 SDRAM B323
371 M_D325	363 SDRAM B324
372 M_D326	364 SDRAM B325
373 M_D327	365 SDRAM B326
374 M_D328	366 SDRAM B327
375 M_D329	367 SDRAM B328
376 M_D330	368 SDRAM B329
377 M_D331	369 SDRAM B330
378 M_D332	370 SDRAM B331
379 M_D333	371 SDRAM B332
380 M_D334	372 SDRAM B333
381 M_D335	373 SDRAM B334
382 M_D336	374 SDRAM B335
383 M_D337	375 SDRAM B336
384 M_D338	376 SDRAM B337
385 M_D339	377 SDRAM B338
386 M_D340	378 SDRAM B339
387 M_D341	379 SDRAM B340
388 M_D342	380 SDRAM B341
389 M_D343	381 SDRAM B342
390 M_D344	382 SDRAM B343
391 M_D345	383 SDRAM B344
392 M_D346	384 SDRAM B345
393 M_D347	385 SDRAM B346
394 M_D348	386 SDRAM B347
395 M_D349	387 SDRAM B348
396 M_D350	388 SDRAM B349
397 M_D351	389 SDRAM B350
398 M_D352	390 SDRAM B351
399 M_D353	391 SDRAM B352
400 M_D354	392



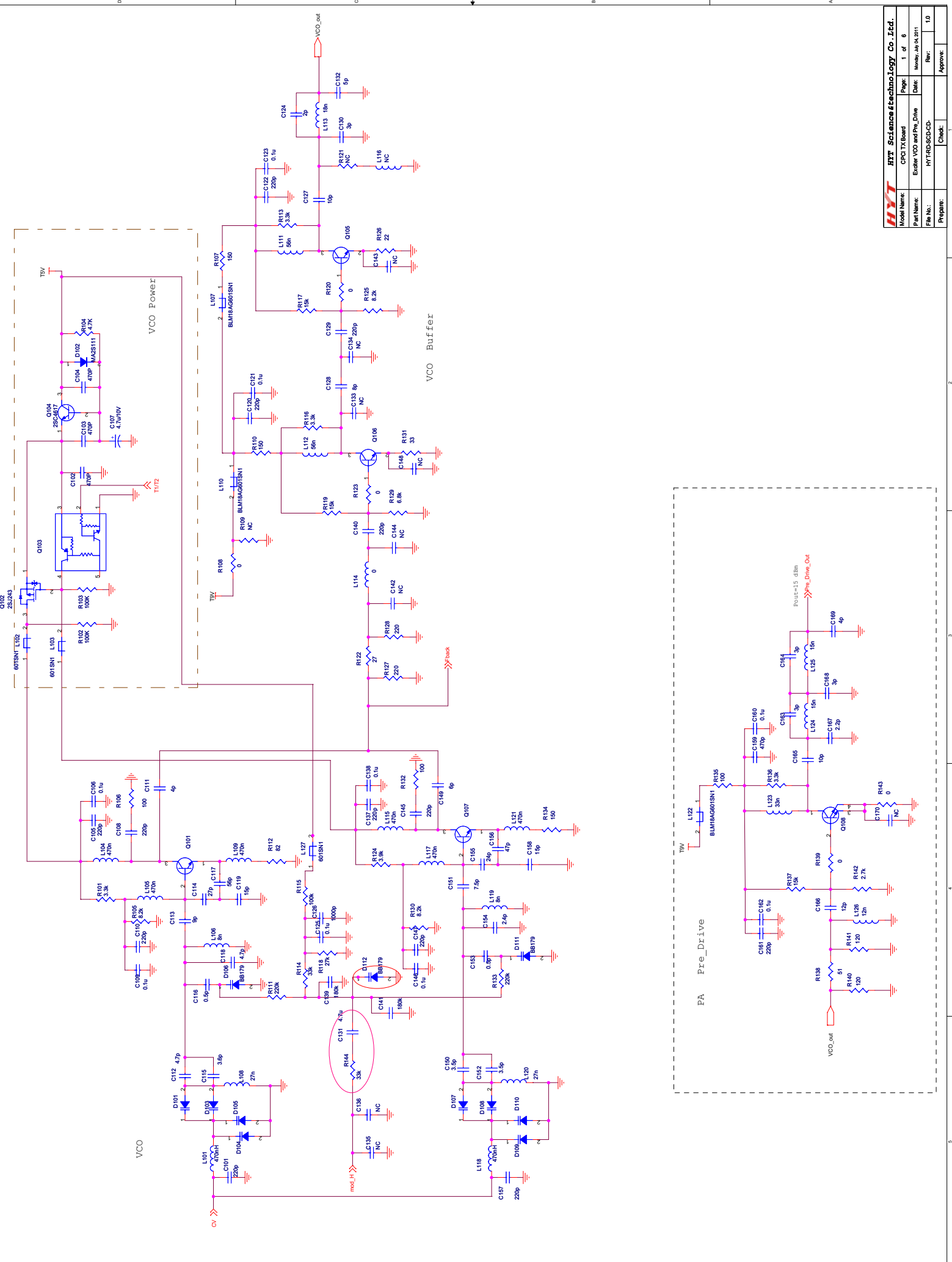
HYT		HYT Science&technology Co.,ltd.	
Model Name:	DS-6210U2C4 GPC1_CHB V2.0	Page:	4 of 6
Part Name:	OMAPPwr	Date:	Wednesday, Jul 26, 2011
File No.:	HYT-RC-SCD-CD-	Rev:	1.0
Prepare:		Check:	

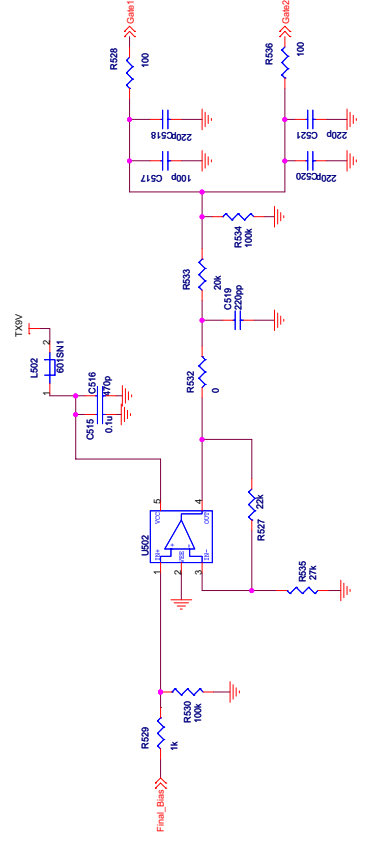
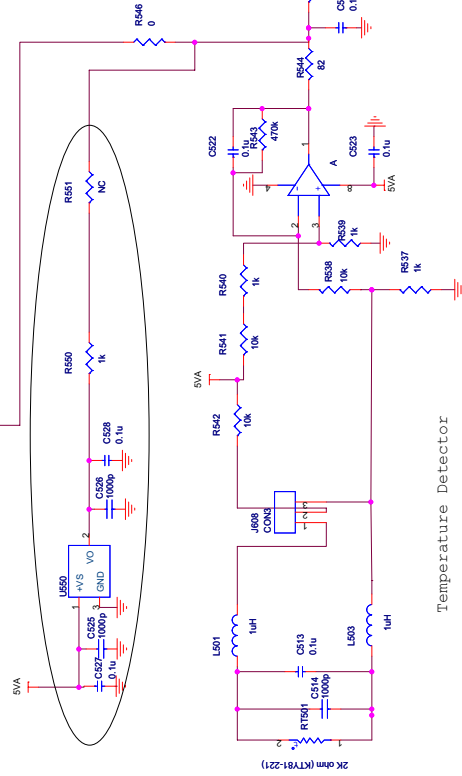
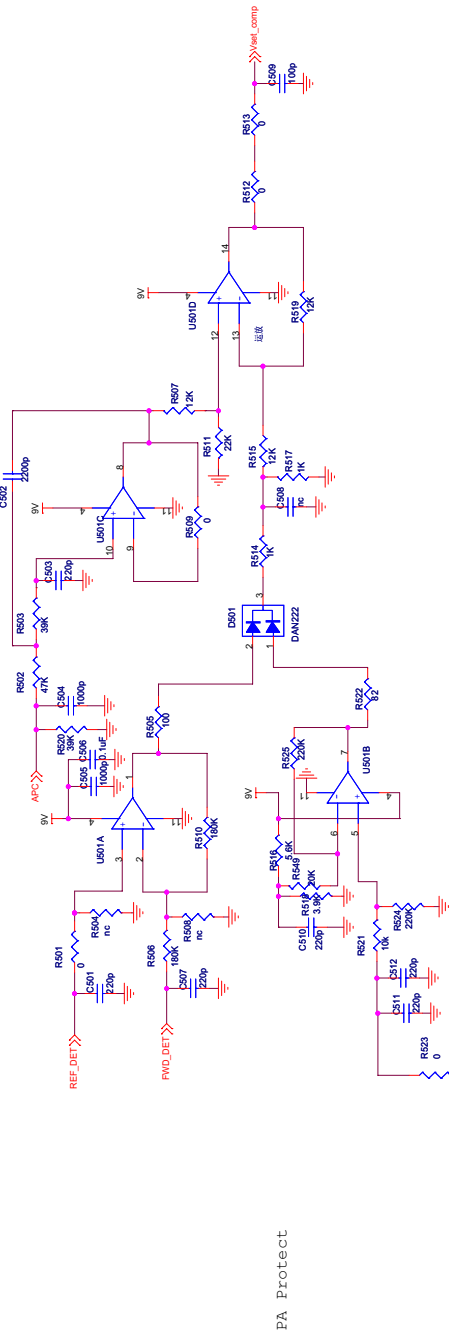


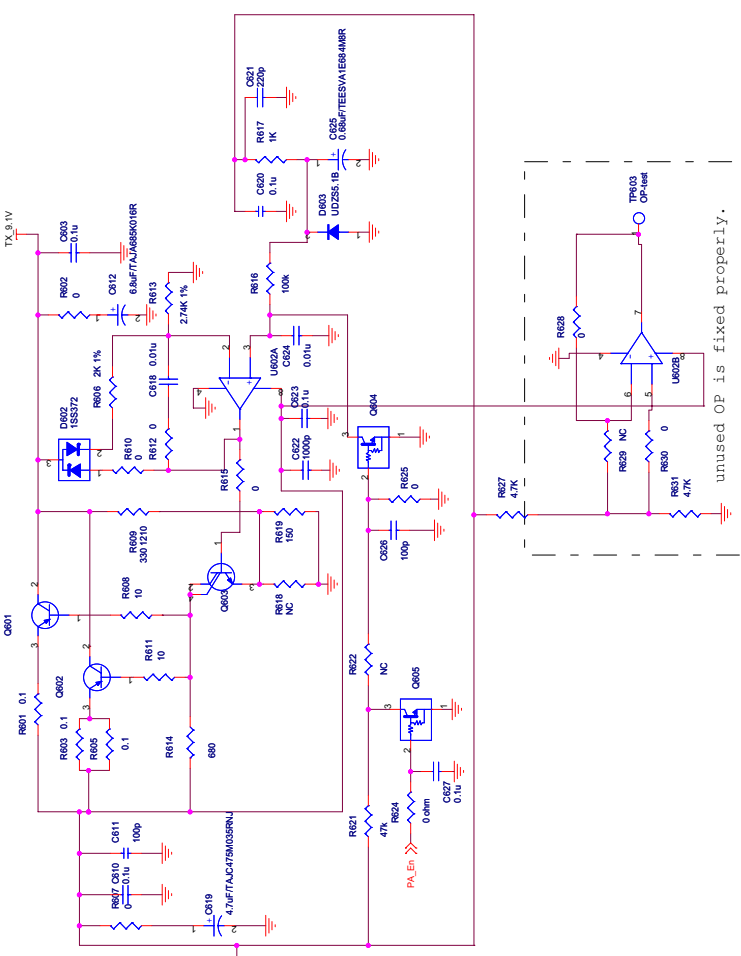


1
2
3
4
5

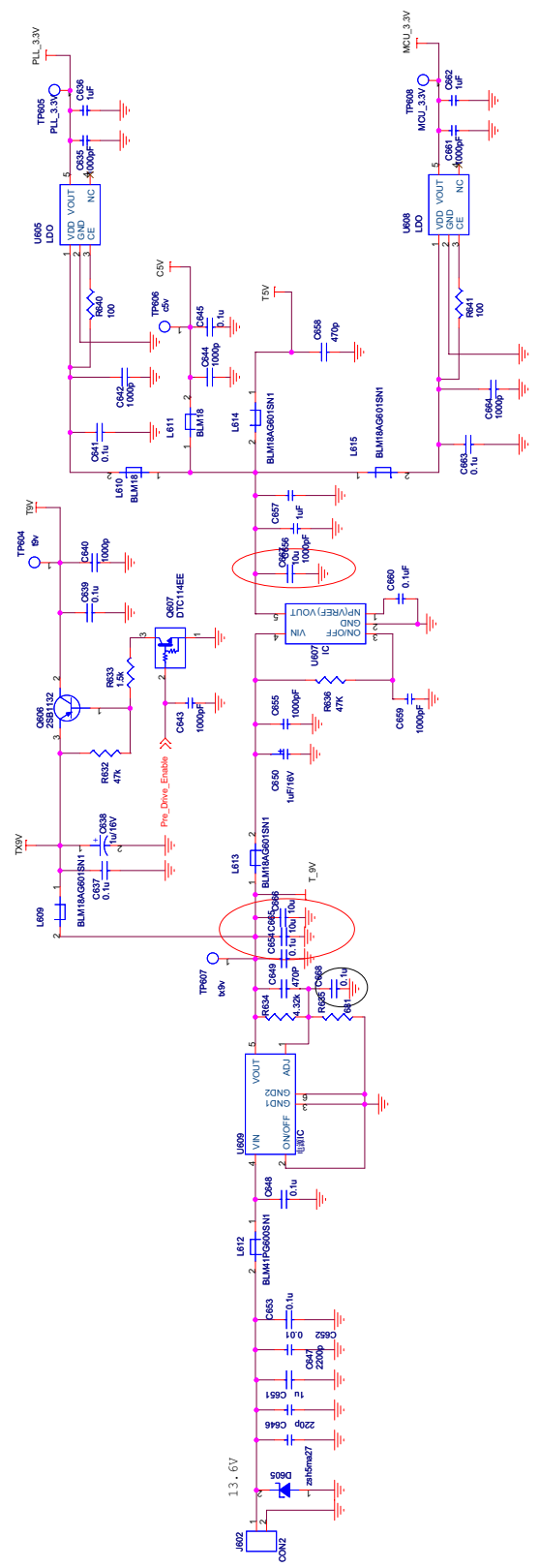
1
2
3
4
5



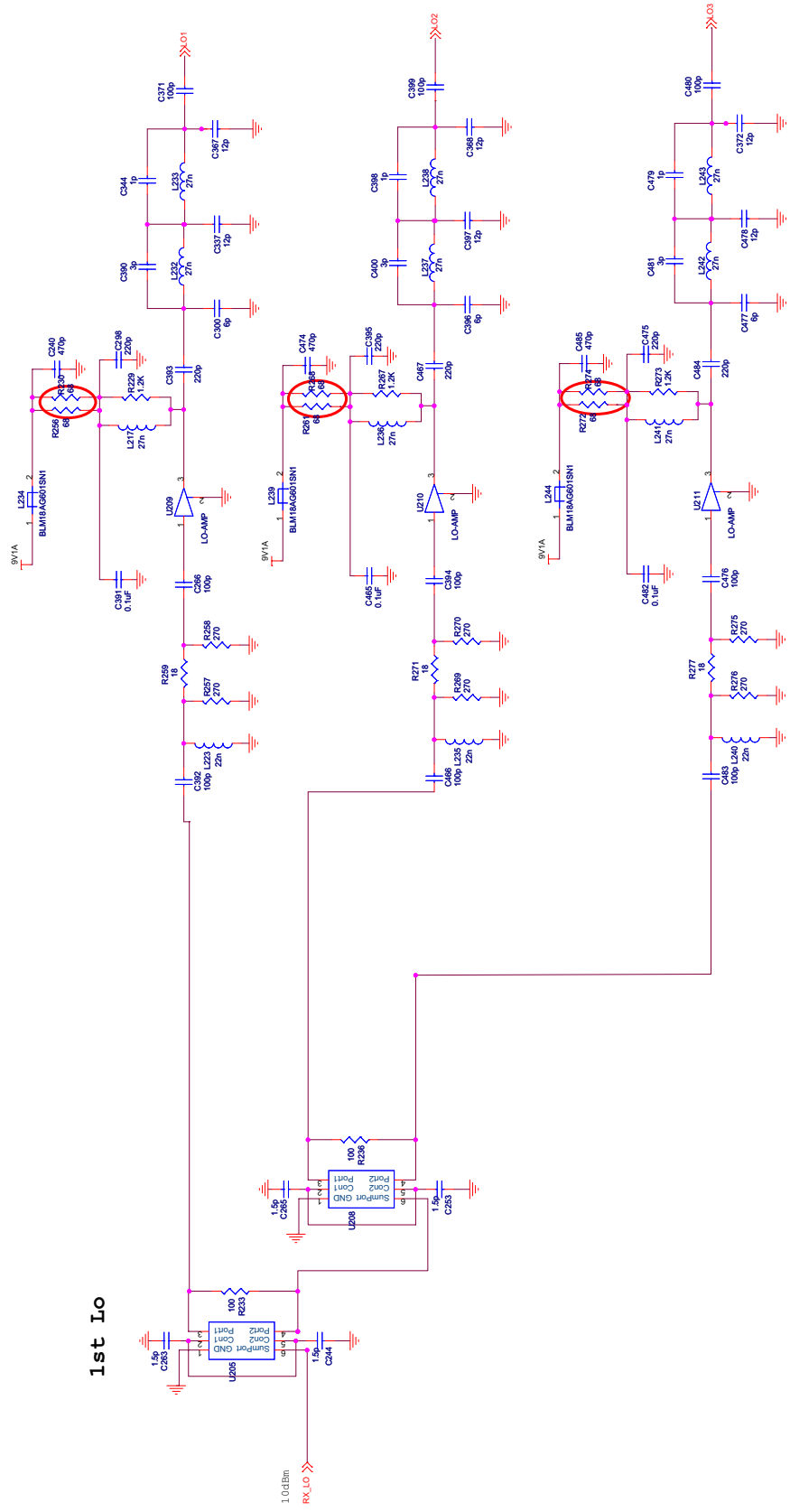


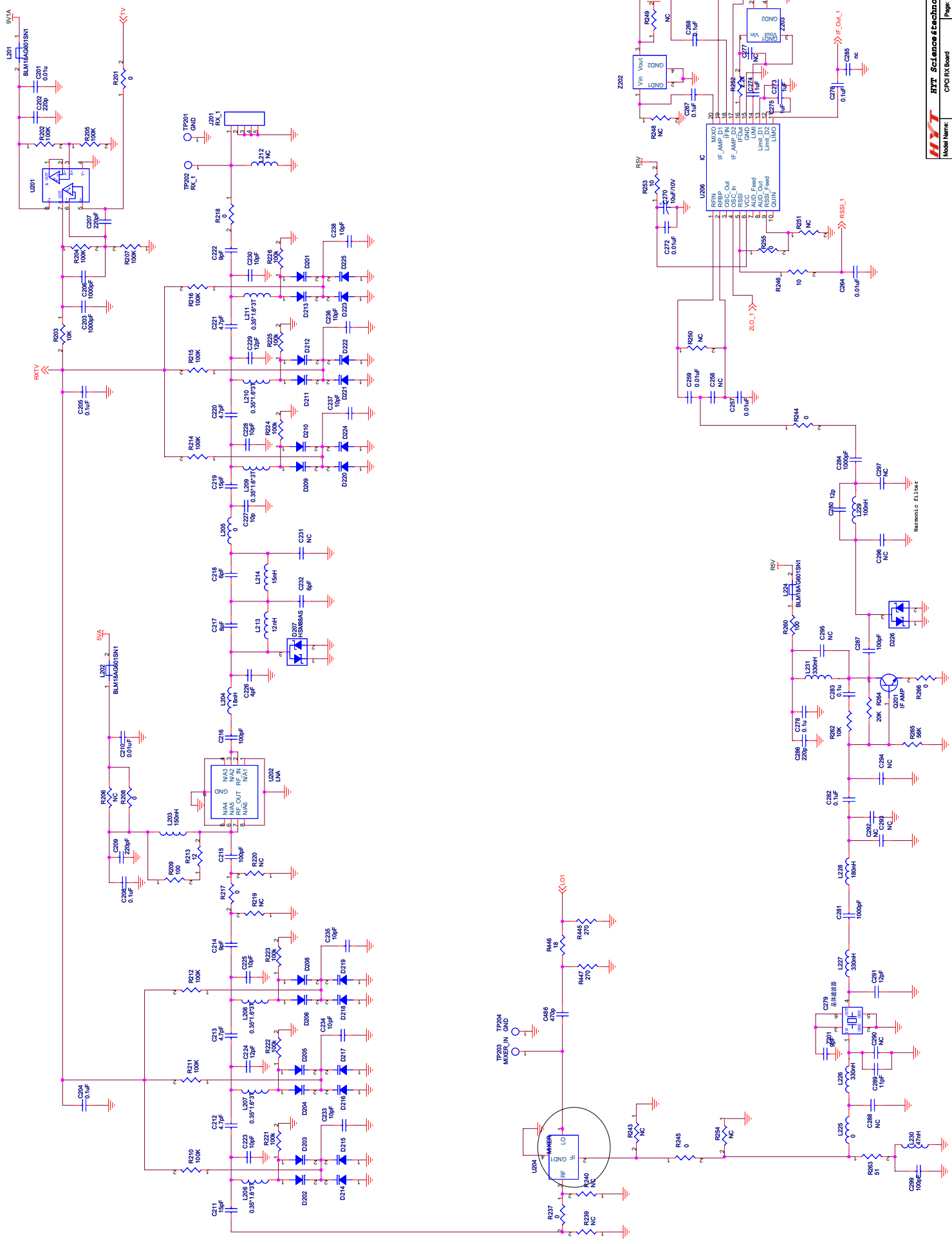


PA Power

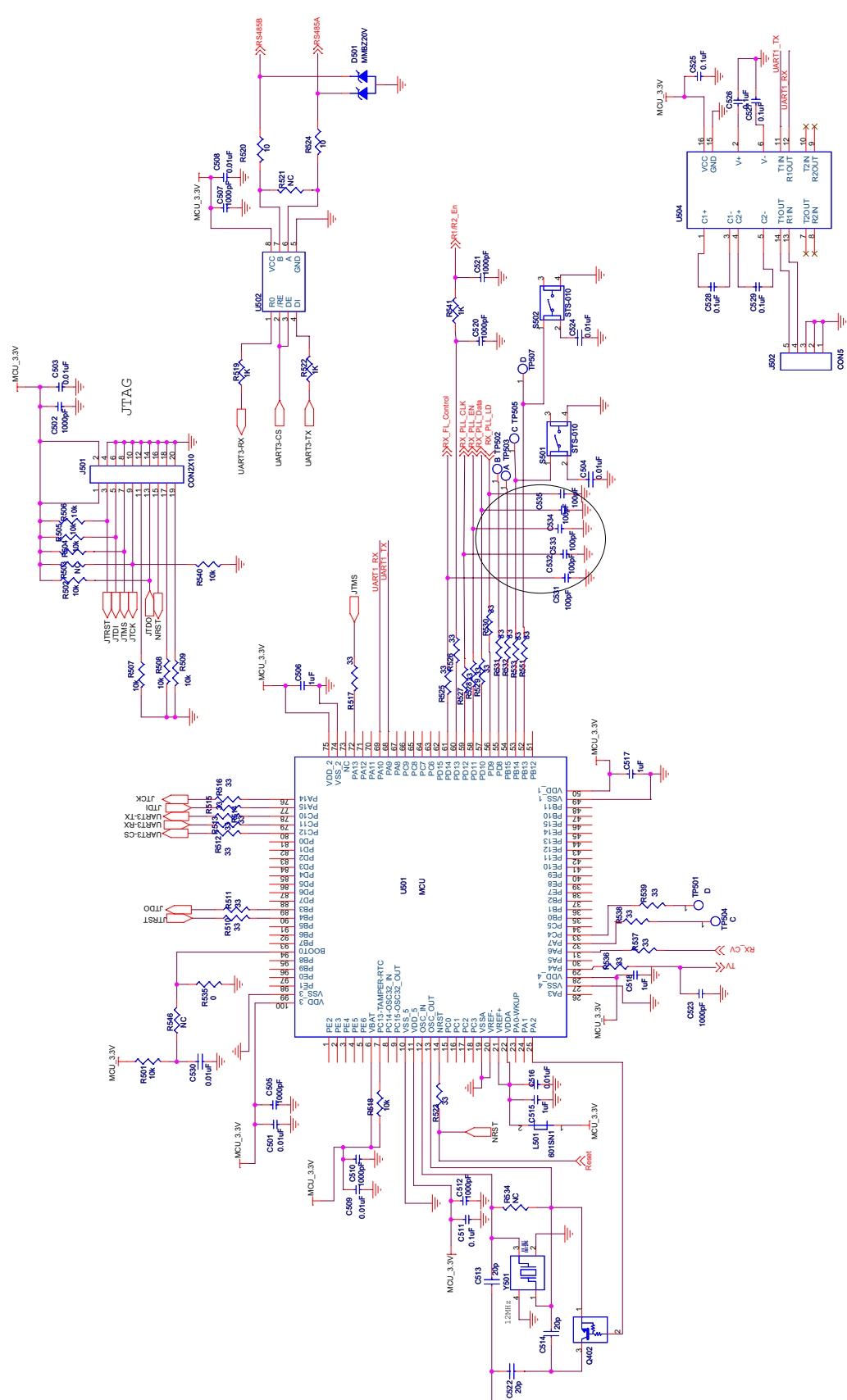


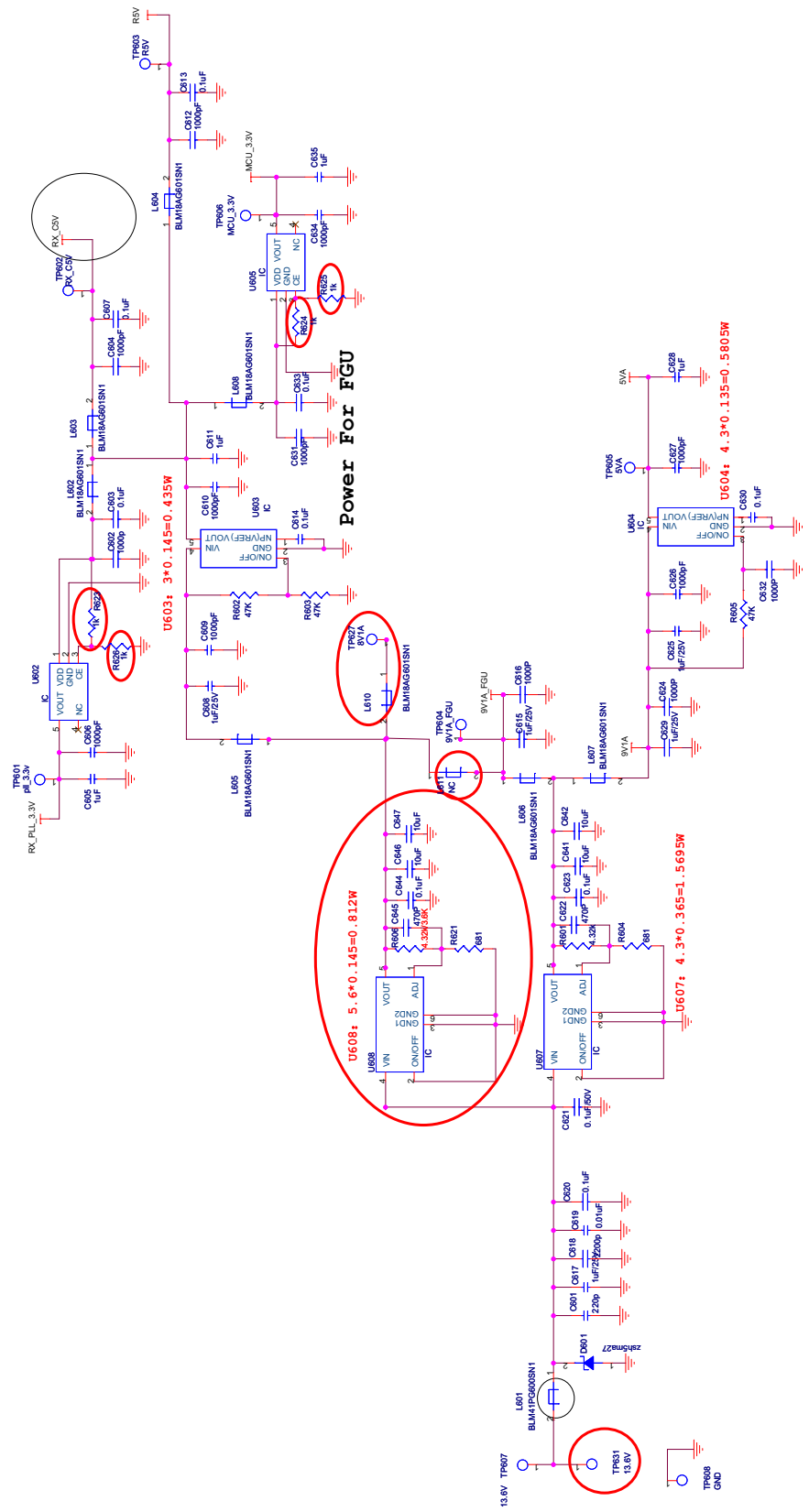
1st Lo



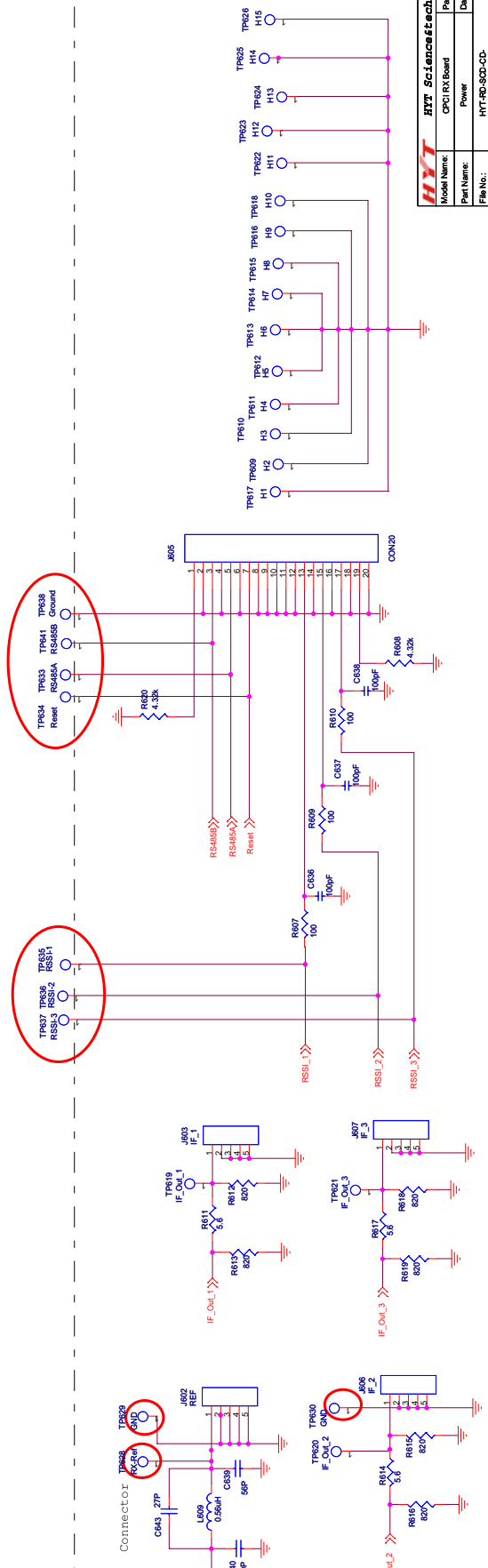


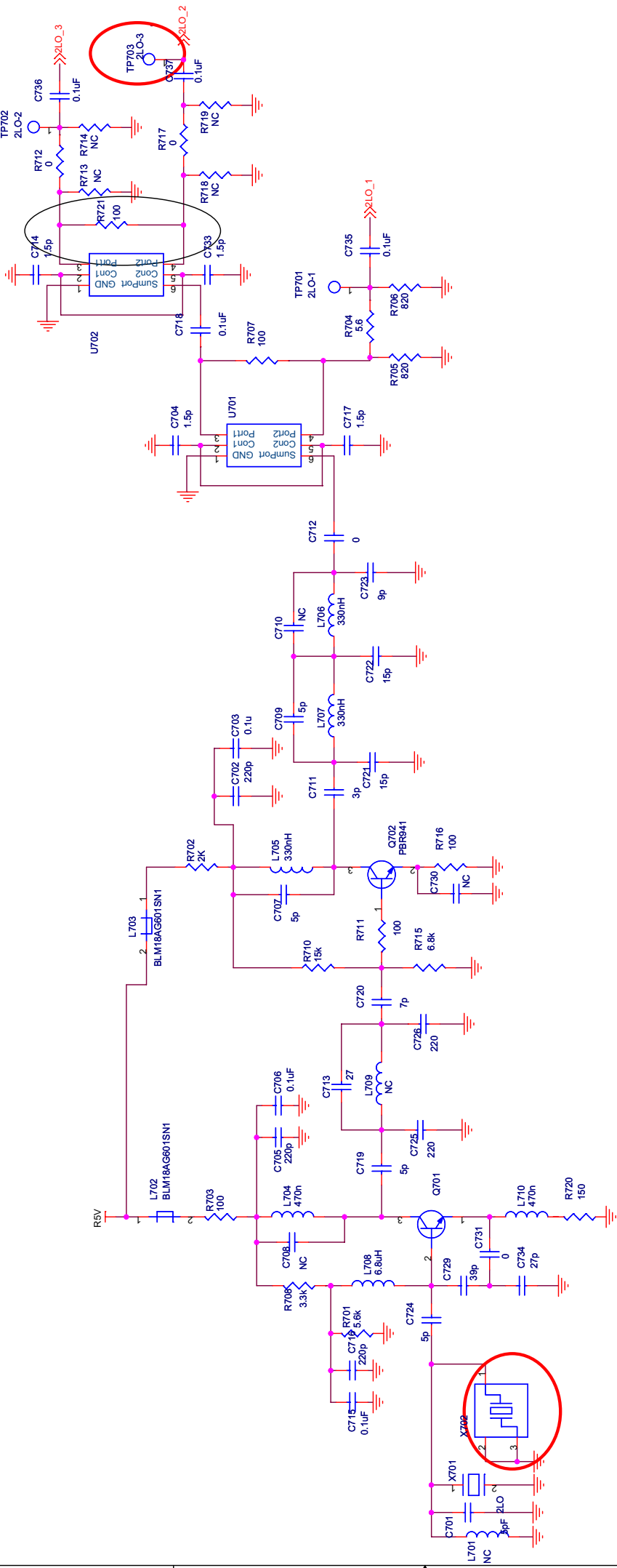
HVT HVT Science & Technology Co. Ltd.	
Model Name:	CPIC RX Board
Part Name:	RX Front 1
File No.:	HYFRD-SDD-CD
Prepares:	Check:
Page:	2 of 7
Date:	Wednesday, March 30, 2011
Rev:	1.0
Approve:	





Power For RX





HYT Science & Technology Co. Ltd.

Model Name:	CPCI RX Board	Page:	7 of 7
Part Name:	2LO	Date:	Friday, April 01, 2011
File No.:	HYT-RD-SCD-CD-	Rev:	1.0
Prepare:		Check:	
Approve:			