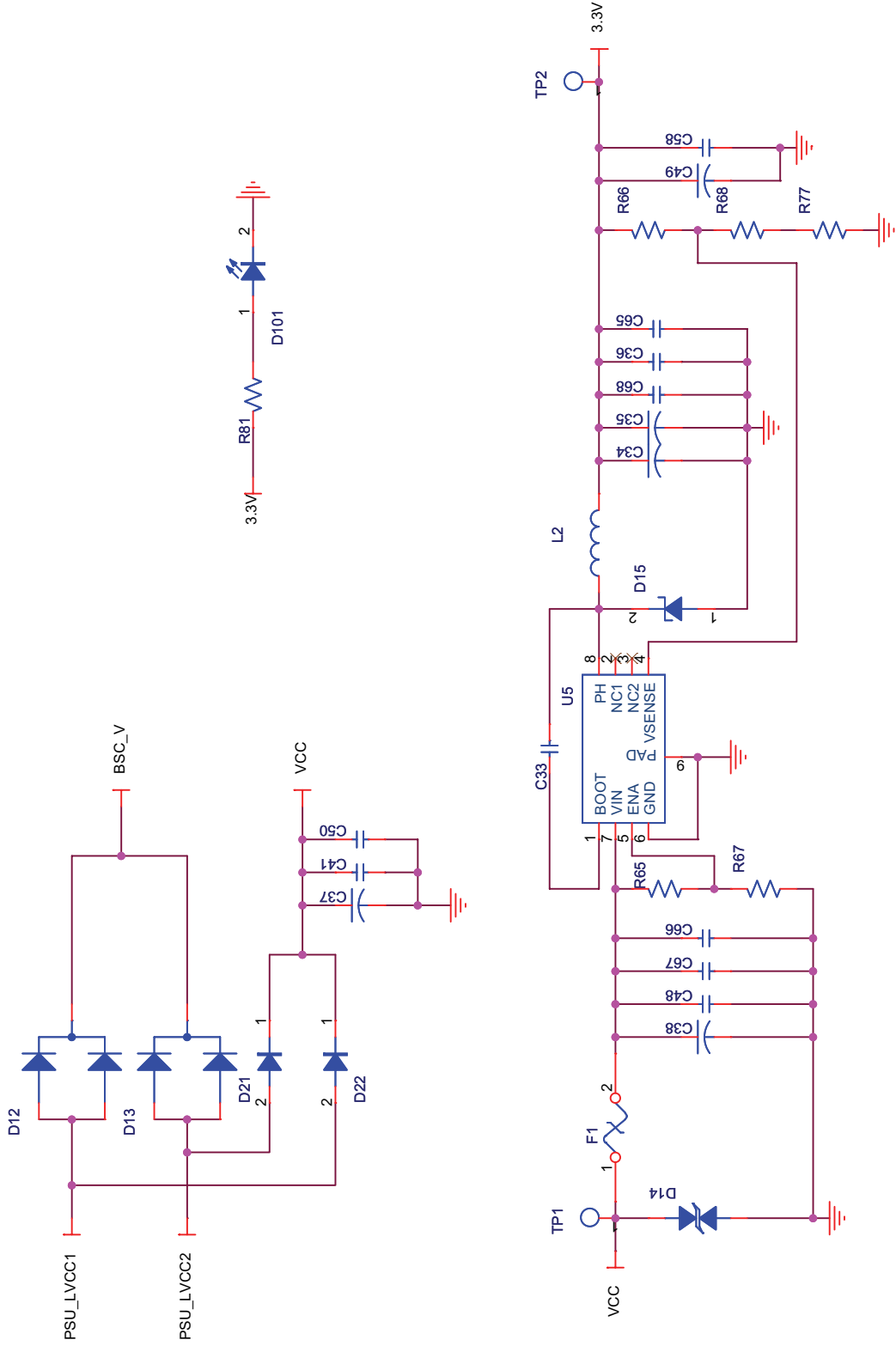
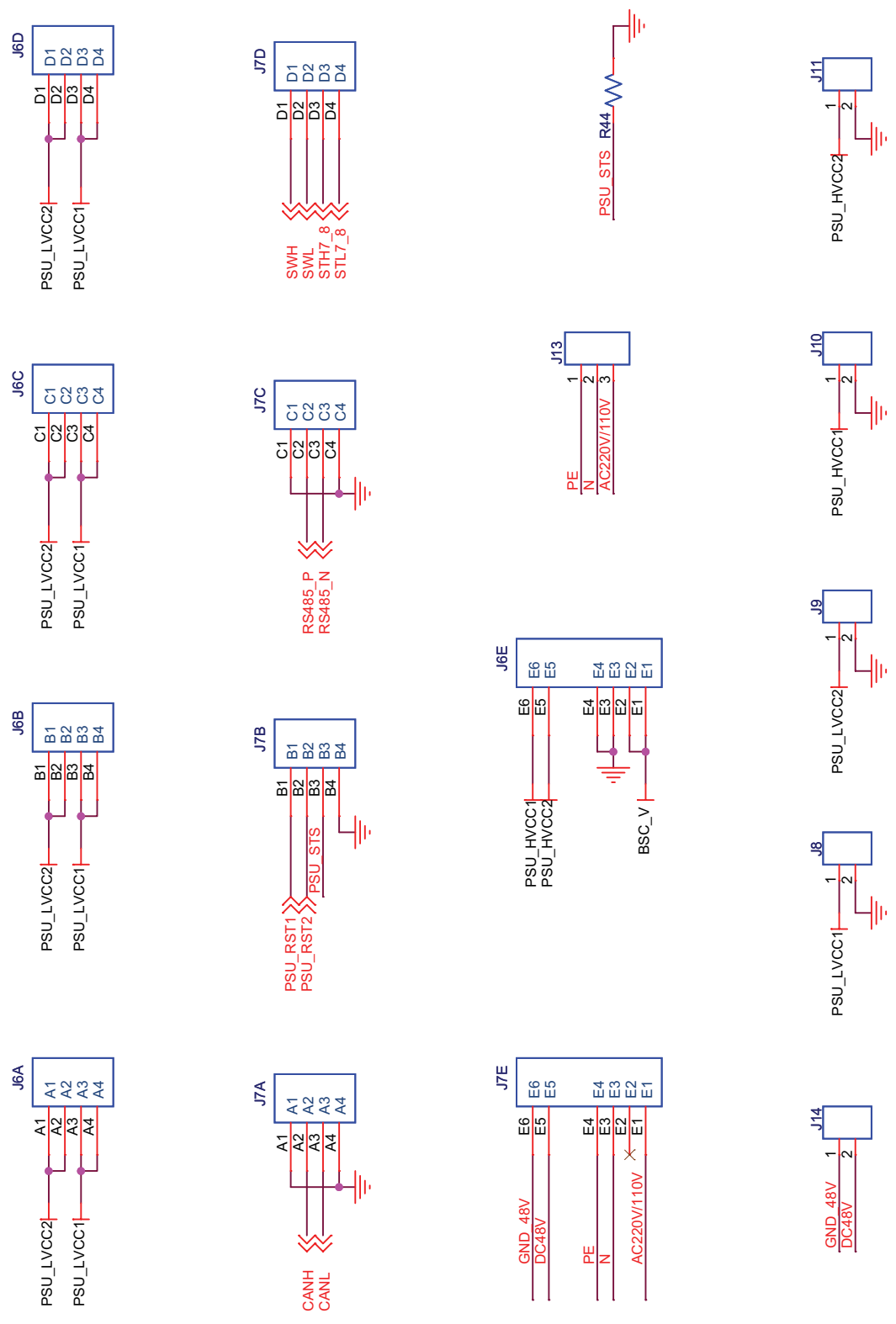


3.Schematic Diagram

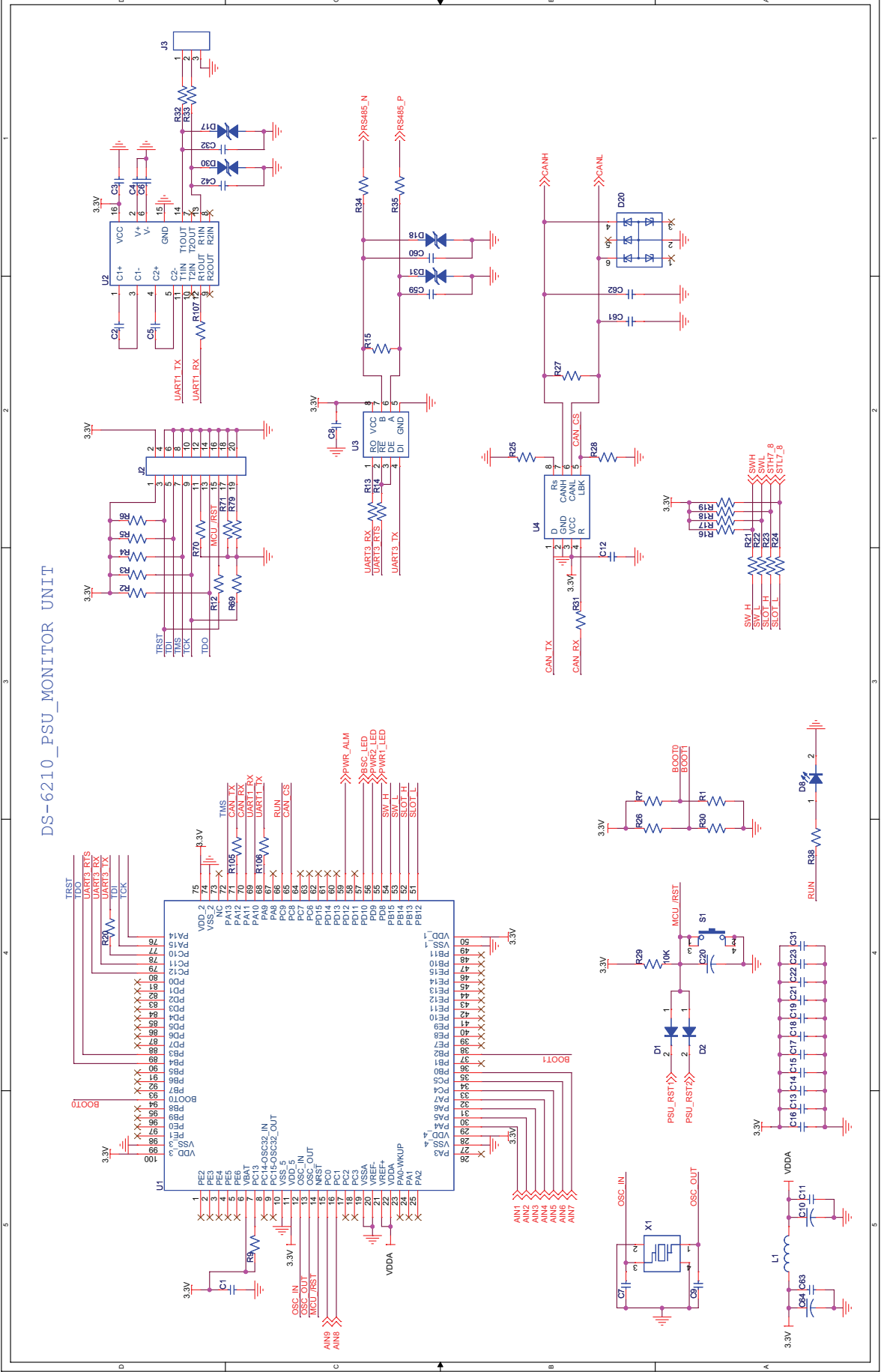
DS-6210_PSU_MONITOR UNIT



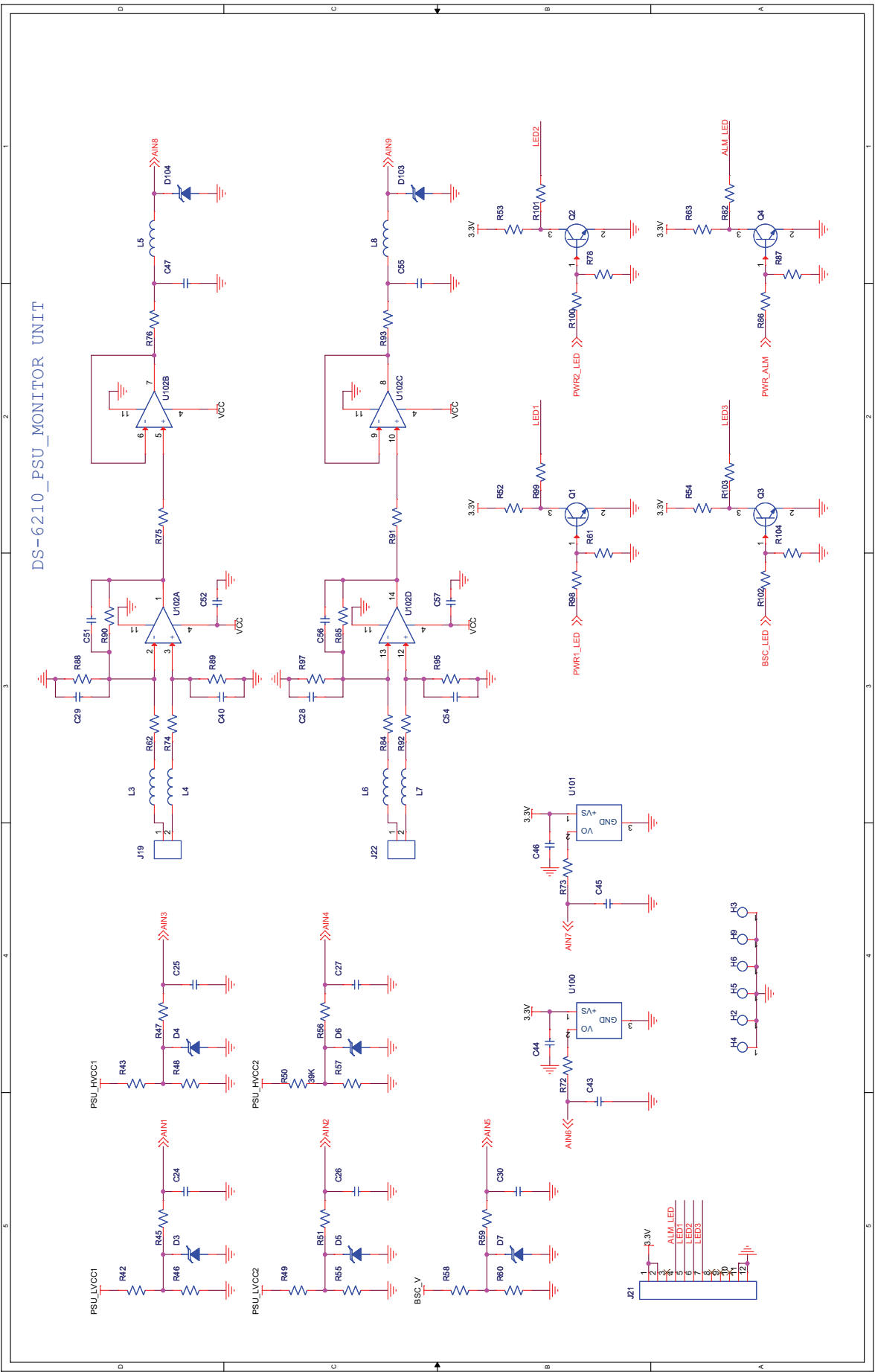
DS-6210_PSU_MONITOR UNIT



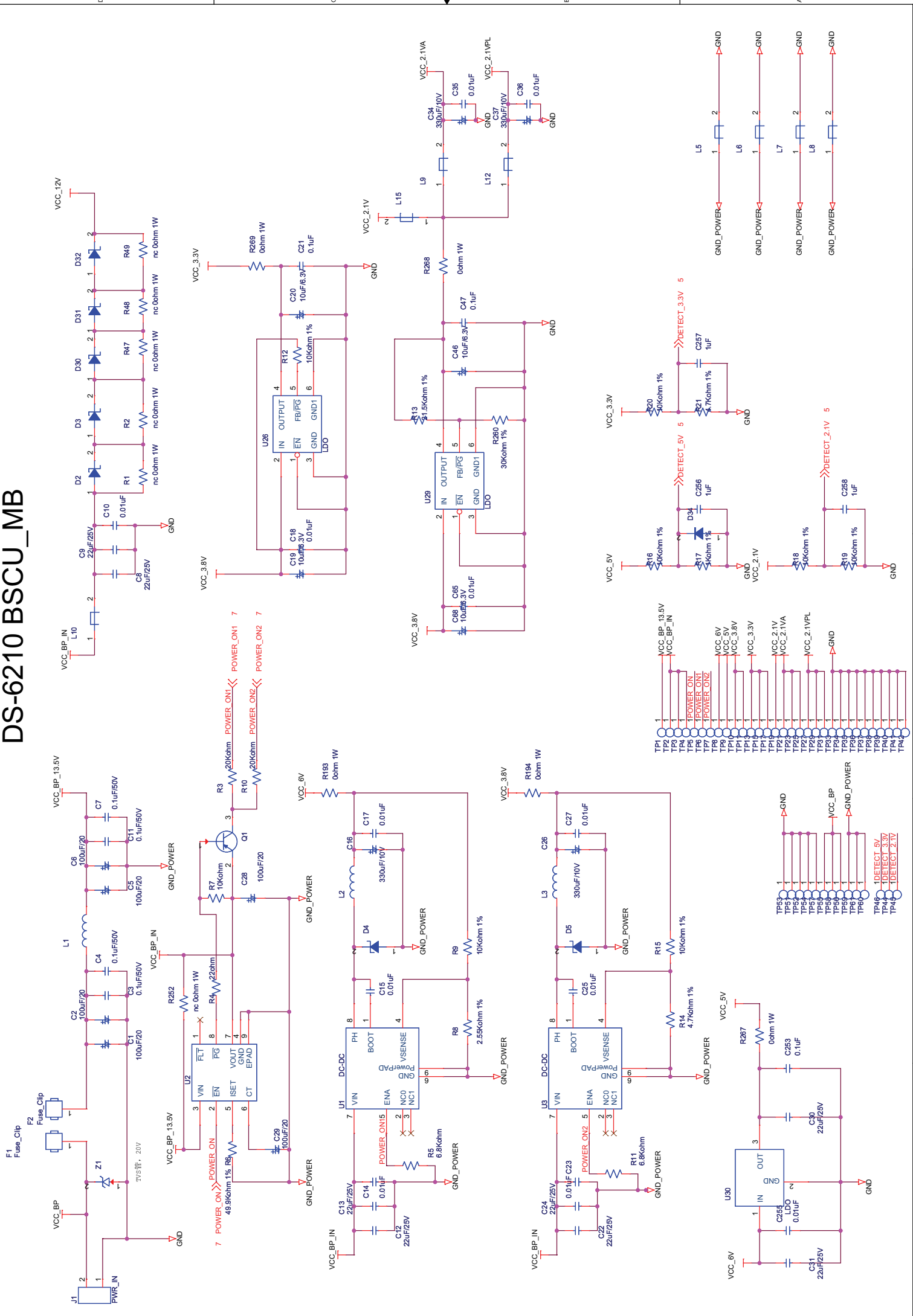
DS-6210_PSU_MONITOR_UNIT

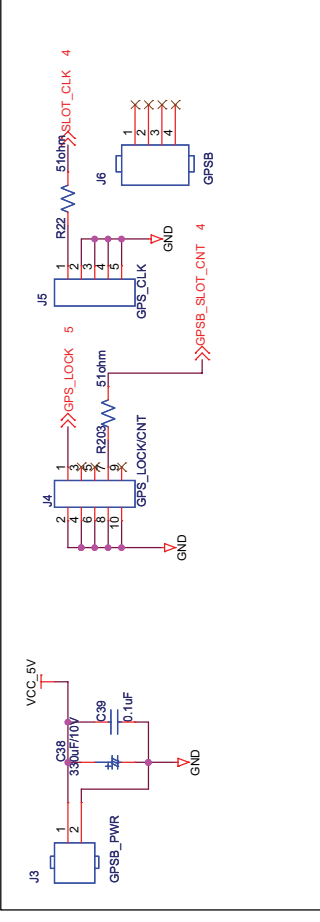


DS-6210_PSU_MONITOR_UNIT

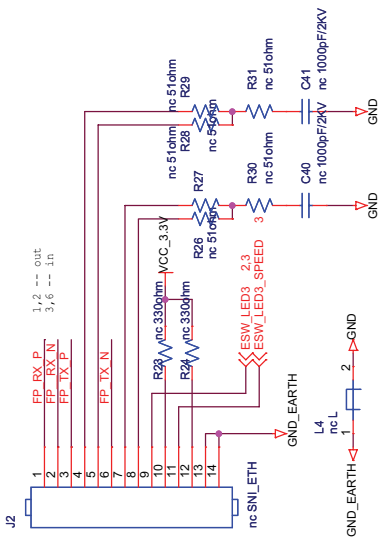


DS-6210 BSCU_MB

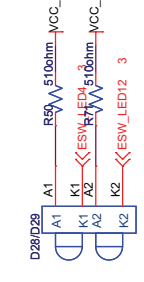
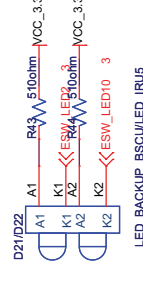
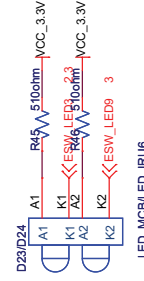
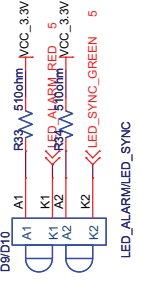
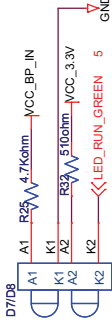
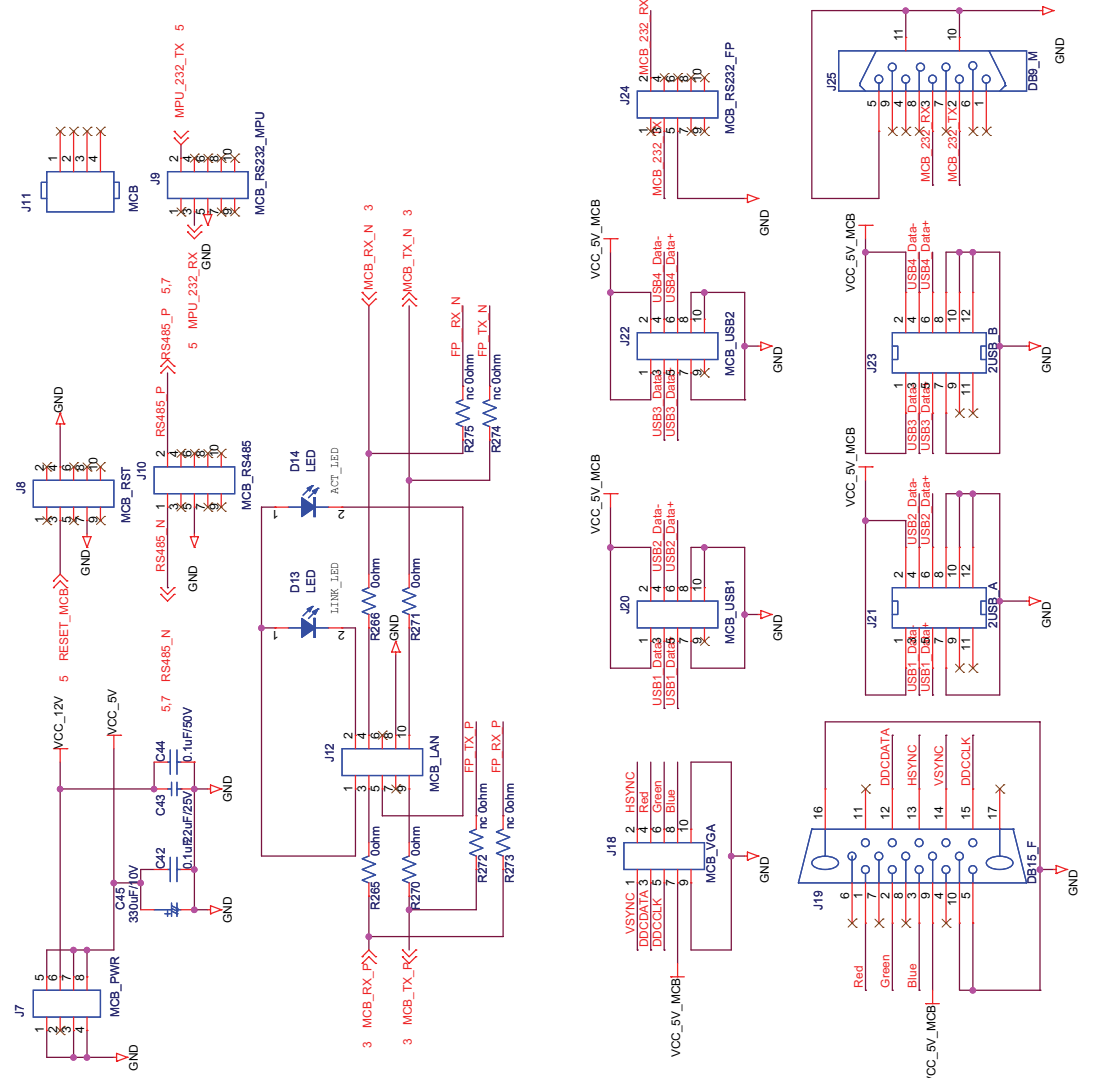




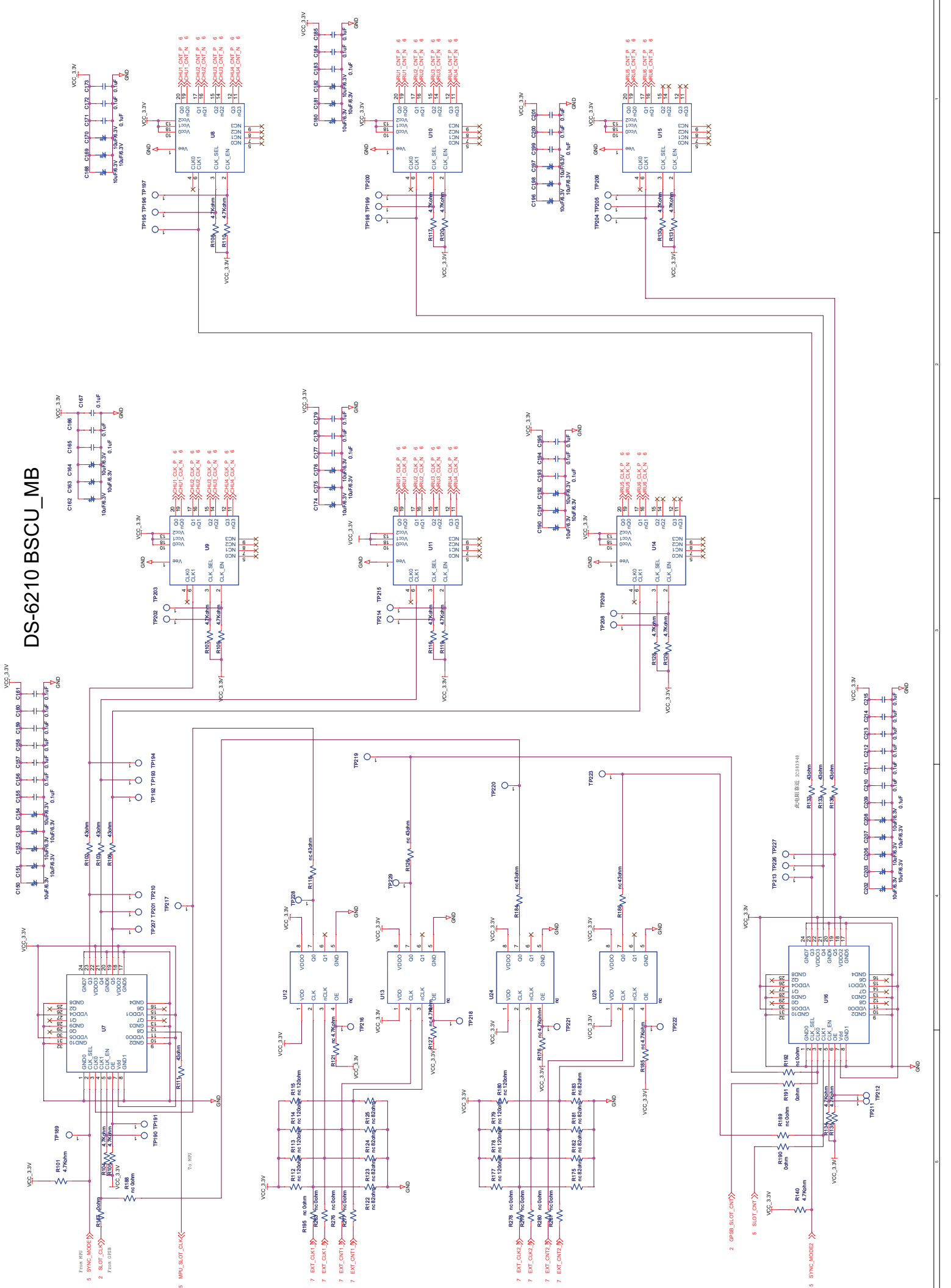
DS-6210 BSCU_MB



MCB



DS-6210 BSCU_MB



From MPU

5 SYNC_MODEB
2 SLOT_CLK

From DSP

5 MPU_SLOT_CLK

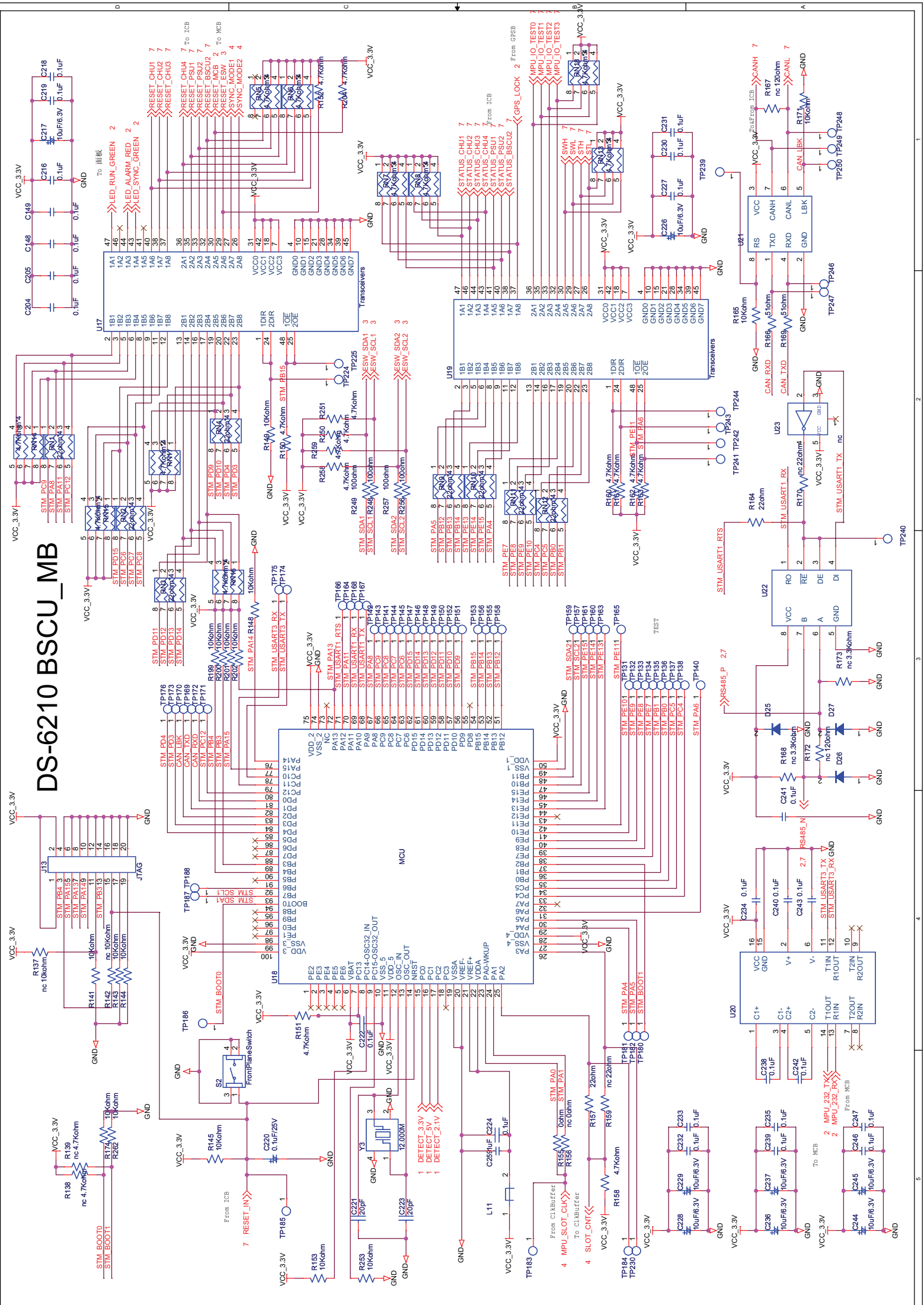
2 SPT_SLOT_CMT

6 SLOT_CLK

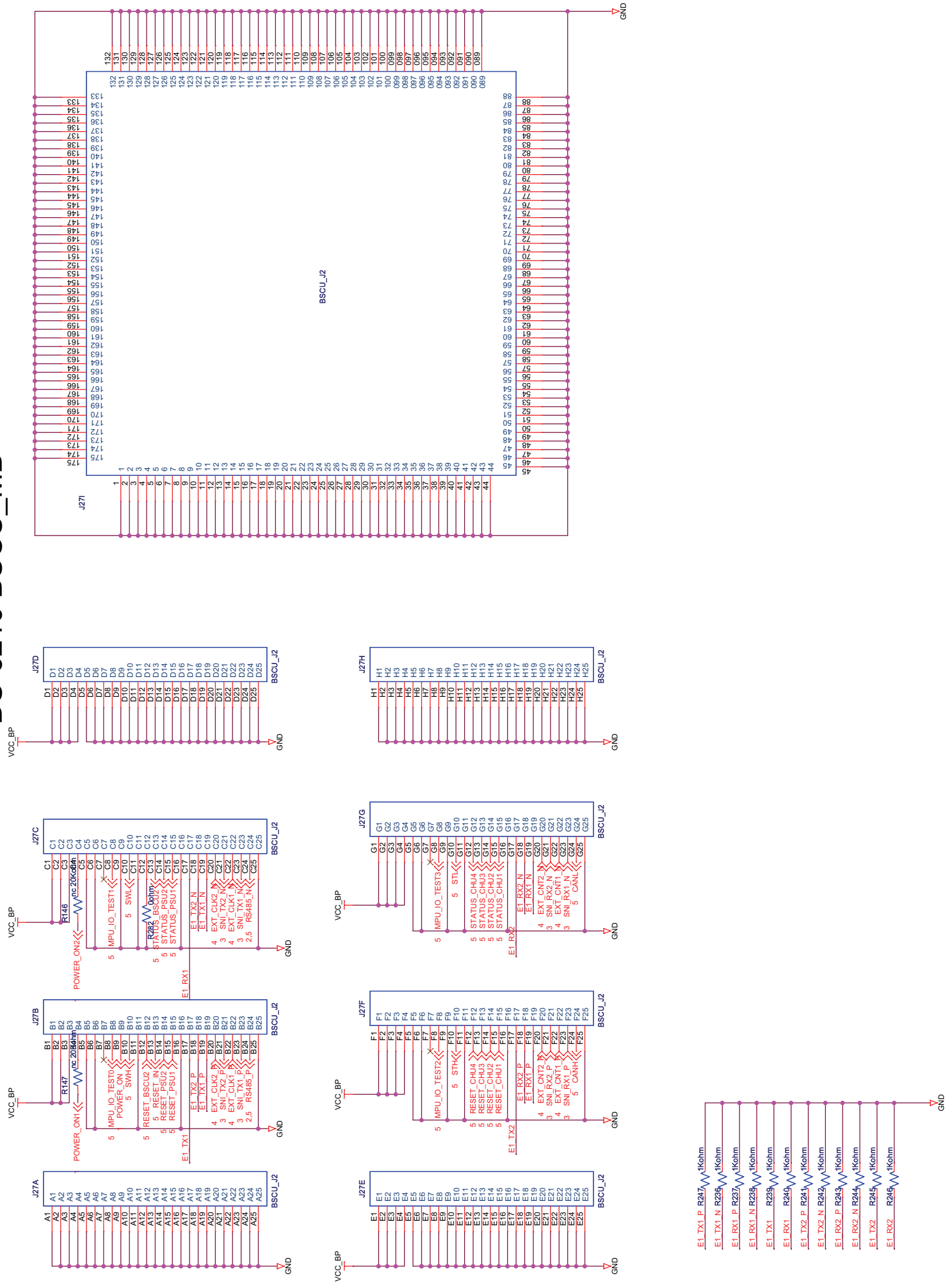
5 SYNC_MODEB

4

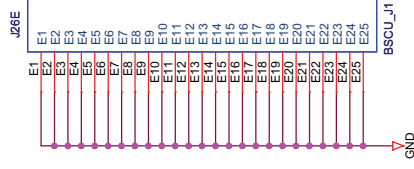
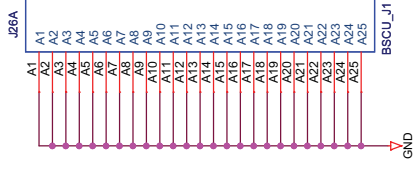
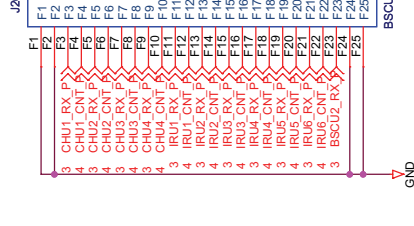
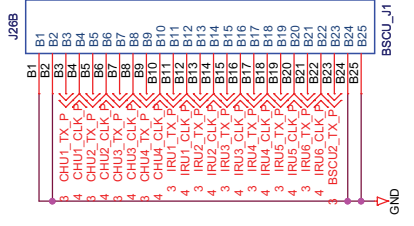
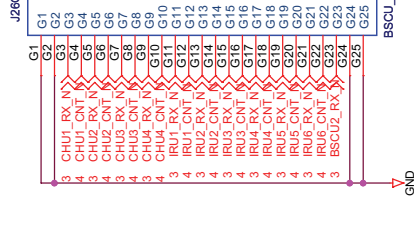
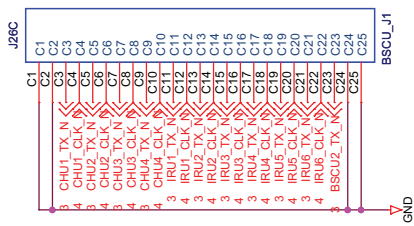
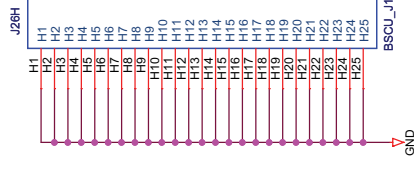
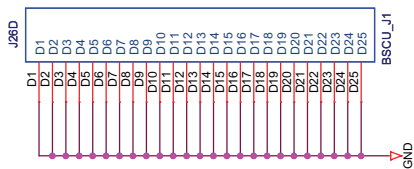
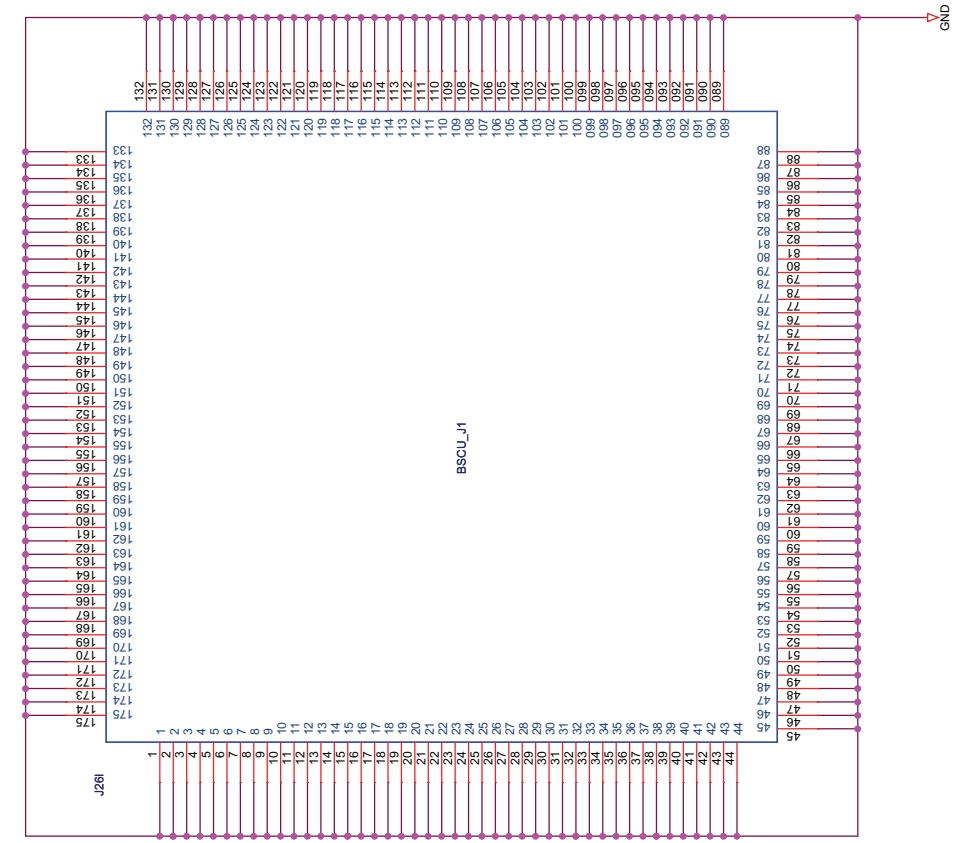
DS-6210 BSCU_MB

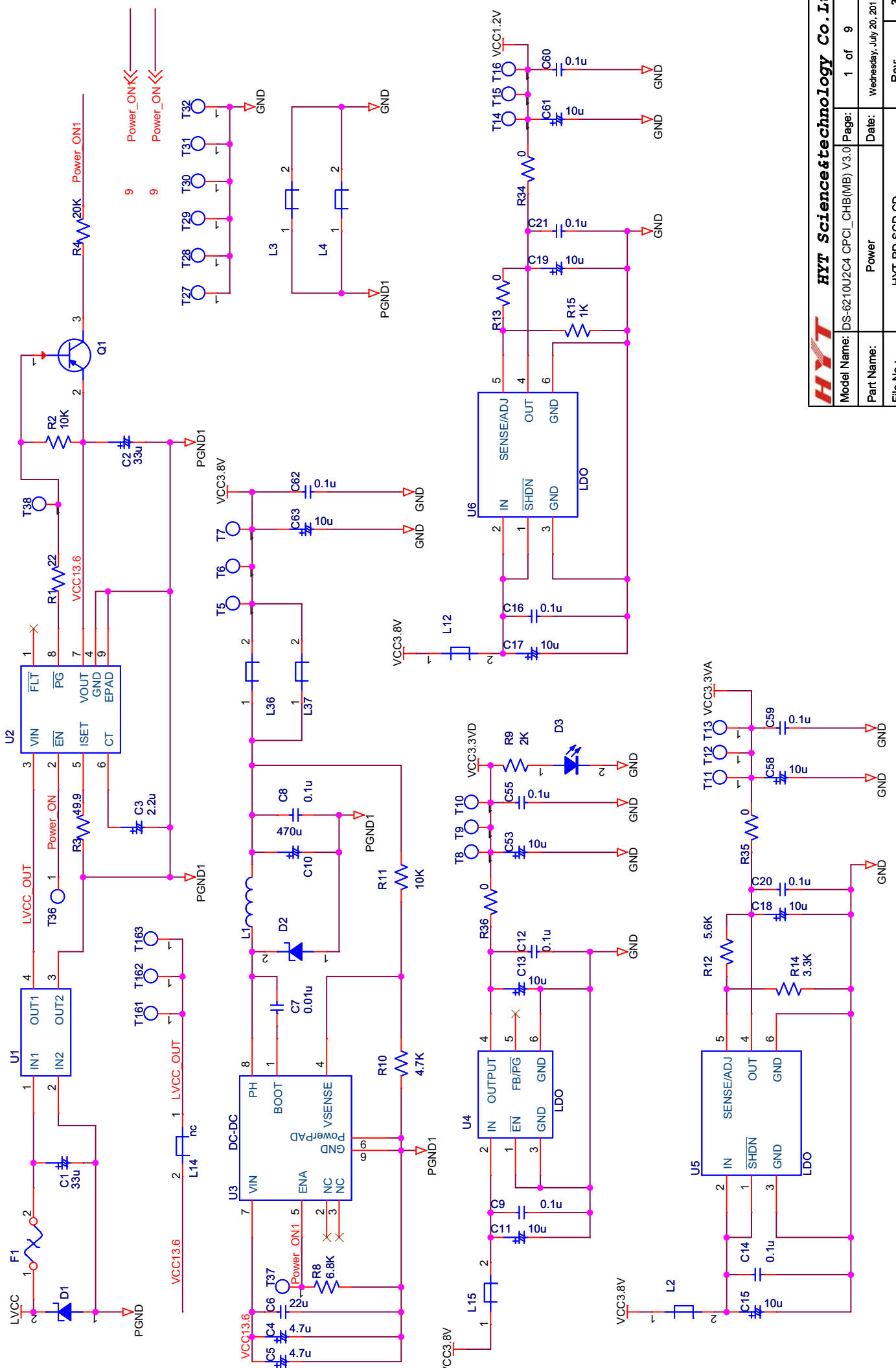


DS-6210 BSCU_MB

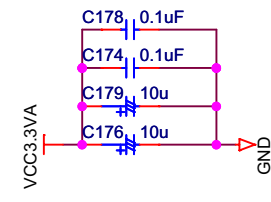
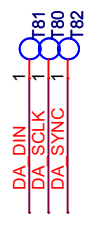
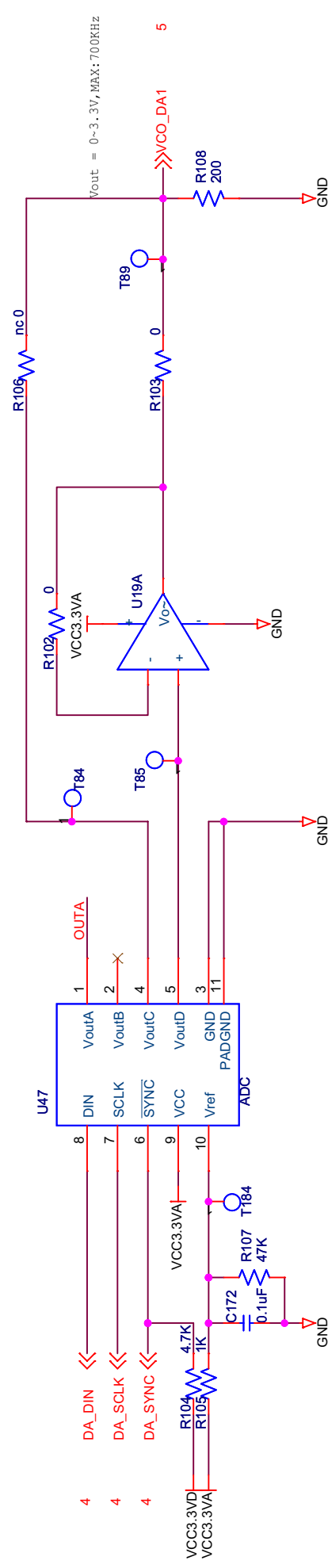


DS-6210 BSCU_MB

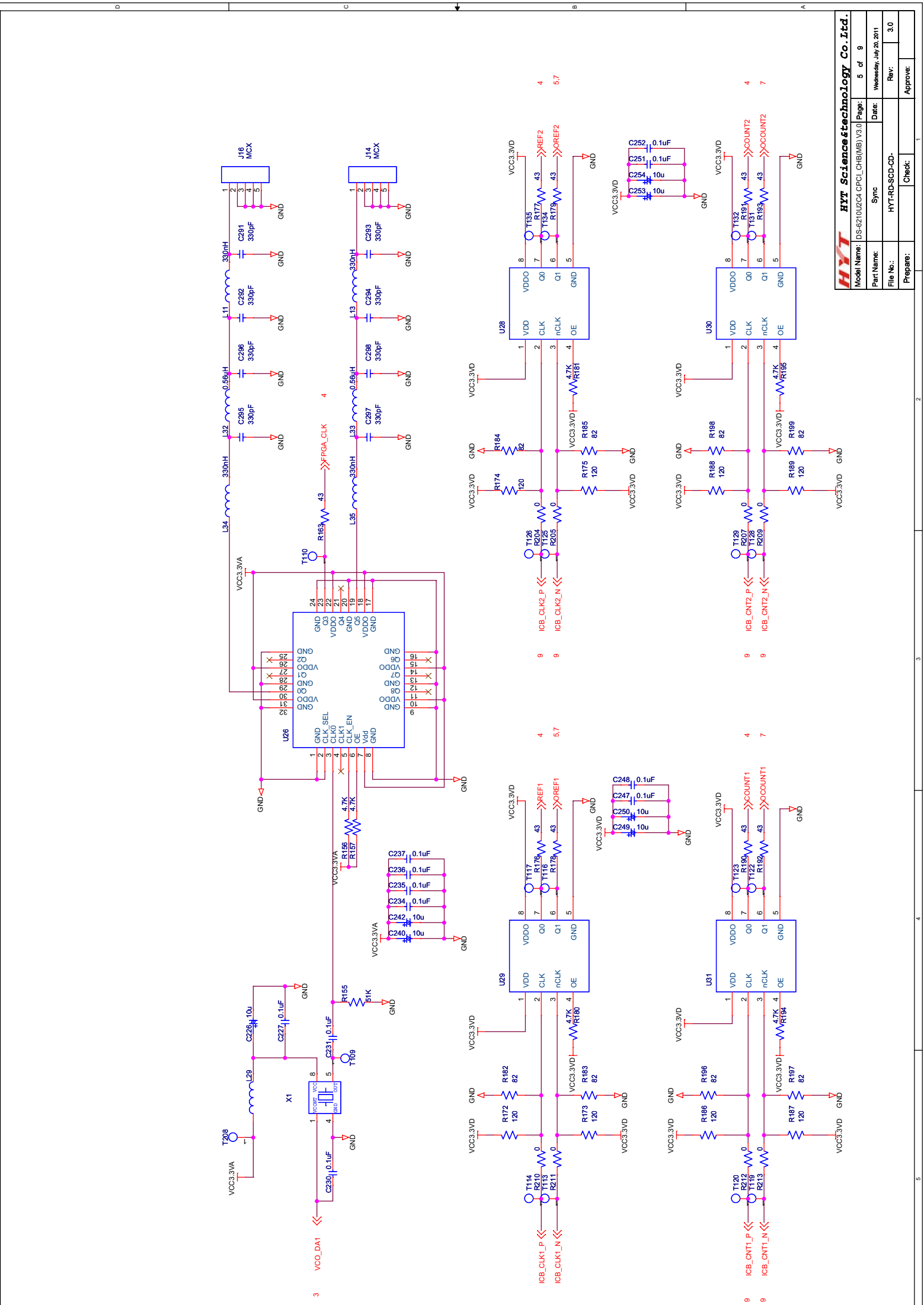


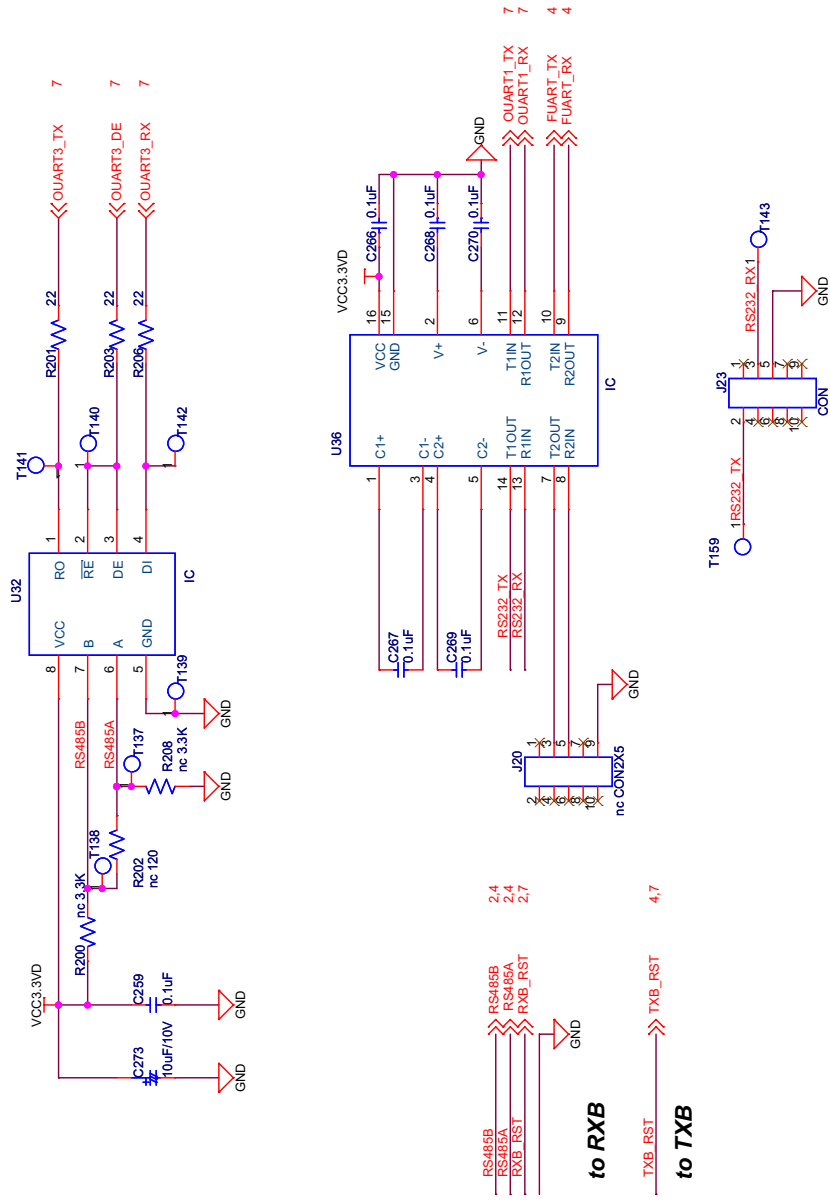


HYT Science&technology Co. Ltd.	
Model Name: DS-6210U2C4 CPCL_CHB(MB) V3.0	Page: 1 of 9
Part Name: Power	Date: Wednesday, July 20, 2011
File No.: HYT-RD-SCD-CD-	Rev: 3.0
Prepare:	Check:
Approve:	



HYT HYT Science & technology Co. Ltd.	
Model Name: DS-6210U2C4 CPCI_CHB(MB) V3.0	Page: 3 of 9
Part Name: DA	Date: Wednesday, July 20, 2011
File No.: HYT-RD-SCD-CD-	Rev: 3.0
Prepare:	Check:
Approve:	Approve:



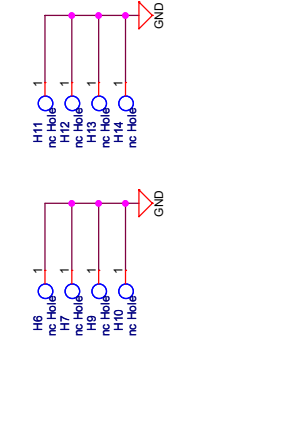
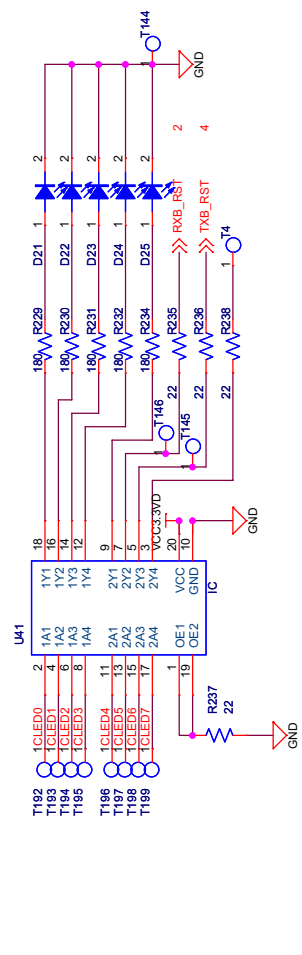
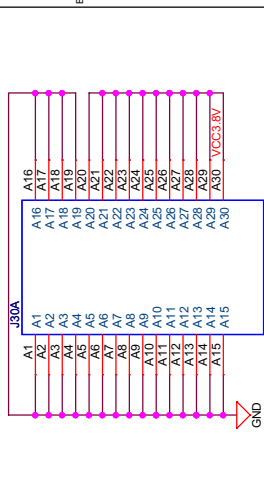
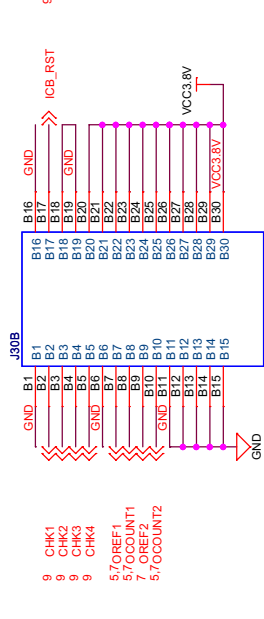
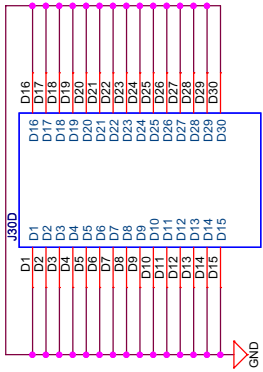
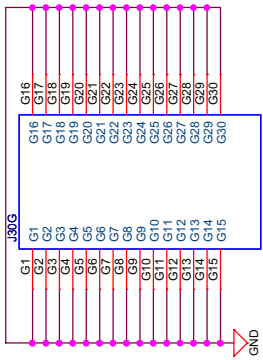
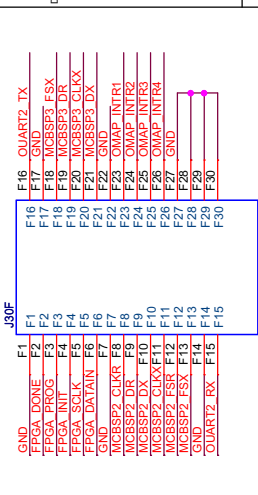
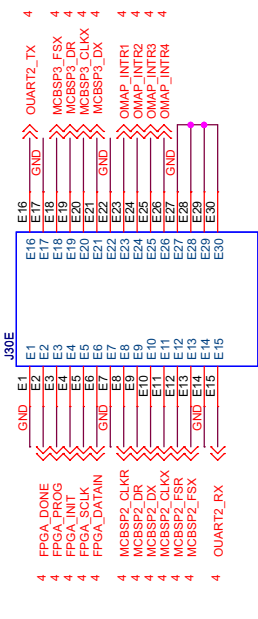
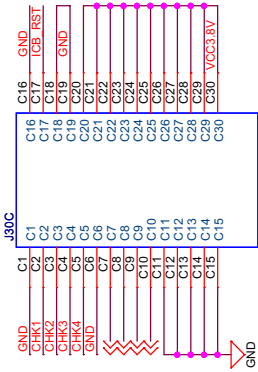
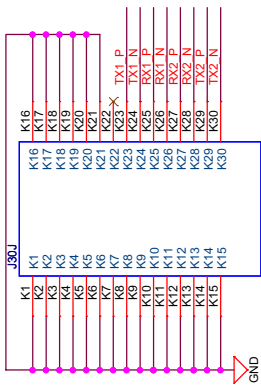


RS485B 2,4
 RS485A 2,4
 RXB_RST 2,7
 TXB_RST 4,7

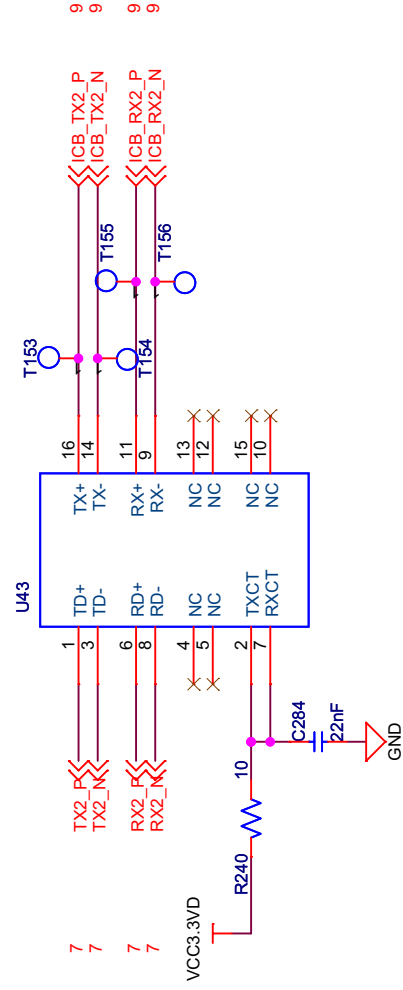
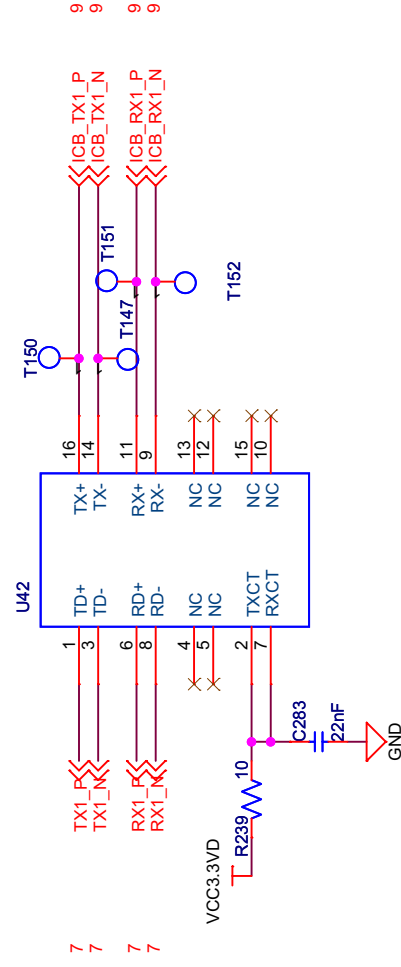
to RXB

to TXB

HYT Science & technology Co. Ltd.	
Model Name: DS-6210U2C4 CPCL_CHBI(MB) V3.0	Page: 6 of 9
Part Name: STM32	Date: Wednesday, July 20, 2011
File No.: HYT-RD-SCD-CD-	Rev: 3.0
Prepare:	Check
Approve:	Approve:



HYT		HYT Science&technology Co.,ltd.	
Model Name:	DS-6210UC4_CPC1_CHB(MB)V3.0	Page:	7 of 9
Part Name:	OMAPGpio	Date:	Wednesday, July 26, 2011
File No.:	HYT-RD-SCD-CD-	Rev:	3.0
Prepare:		Check:	Approve:



HYT		HYT Science & technology Co. Ltd.	
Model Name:	DS-6210U2C4 CPC1_CHB(MB) V3.0	Page:	8 of 9
Part Name:	Ethernet	Date:	Wednesday, July 20, 2011
File No.:	HYT-RD-SCD-CD-	Rev:	3.0
Prepare:		Check:	Approve:

