

# Preface

Thanks for your favor in our product. To derive optimum performance from the product, please read this manual carefully before use.

This manual is applicable to the following product:

ADA-01 Wireless Audio Adapter

## Disclaimer

Hytera Communications Corporation Limited (the Company) endeavors to achieve the accuracy and completeness of this manual, but no warranty of accuracy or reliability is given. All the specifications and designs are subject to change without notice due to continuous technology development. No part of this manual may be copied, modified, translated, or distributed in any manner without the express written permission of us.

We do not guarantee, for any particular purpose, the accuracy, validity, timeliness, legitimacy or completeness of the Third Party products and contents involved in this manual.

If you have any suggestions or would like to learn more details, please visit our website at:

<http://www.hytera.com>.

## Instructions

- Ensure the distance between the wireless devices and the mobile radio is within 10 meters during operation.
- Only use the wireless devices if traffic conditions permit safe use and check if local laws and regulations restrict the use of wireless devices while driving.
- Do not use the wireless earpiece during lightning storm to avoid malfunction.

### **FCC Warning:**

This device complies with Part 15 of the FCC Rules. Operation is subject to the following two conditions: (1) this device may not cause harmful interference, and (2) this device must accept any interference received, including interference that may cause undesired operation.

Changes or modifications not expressly approved by the party responsible for compliance could void the user's authority to operate the equipment.

NOTE: This equipment has been tested and found to comply with the limits for a Class B digital device, pursuant to Part 15 of the FCC Rules. These limits are designed to provide reasonable protection against harmful interference in a residential installation. This equipment generates, uses and can radiate radio frequency energy and, if not installed and used in accordance with the

instructions, may cause harmful interference to radio communications. However, there is no guarantee that interference will not occur in a particular installation. If this equipment does cause harmful interference to radio or television reception, which can be determined by turning the equipment off and on, the user is encouraged to try to correct the interference by one or more of the following measures:

- Reorient or relocate the receiving antenna.
- Increase the separation between the equipment and receiver.
- Connect the equipment into an outlet on a circuit different from that to which the receiver is connected.
- Consult the dealer or an experienced radio/TV technician for help.

#### RF Exposure Statement

To maintain compliance with FCC's RF Exposure guidelines, This equipment should be installed and operated with minimum distance between 20cm the radiator your body: Use only the supplied antenna.

#### **IC Caution:**

**RSS-Gen** Issue 4, November 13, 2014"&"CNR-Gen 4e édition Novembre 13, 2014

- English:

This device complies with Industry Canada licence-exempt RSS standard(s).

Operation is subject to the following two conditions: (1) This device may not cause interference, and (2) This device must accept any interference, including interference that may cause undesired operation of the device.

- French:

Le présent appareil est conforme aux CNR d'Industrie Canada applicables aux appareils radio exempts de licence. L'exploitation est autorisée aux deux conditions suivantes:

(1) l'appareil ne doit pas produire de brouillage, et

(2) l'utilisateur de l'appareil doit accepter tout brouillage radioélectrique subi, même si le brouillage est susceptible d'en compromettre le fonctionnement.

# 1. Items in the Package

Please unpack carefully and make sure all items listed below are received. If any item is missing or damaged, please contact your dealer.

No.	Name	Qty.
1	Wireless Audio Adapter	1
2	Owner's Manual	1



## Note

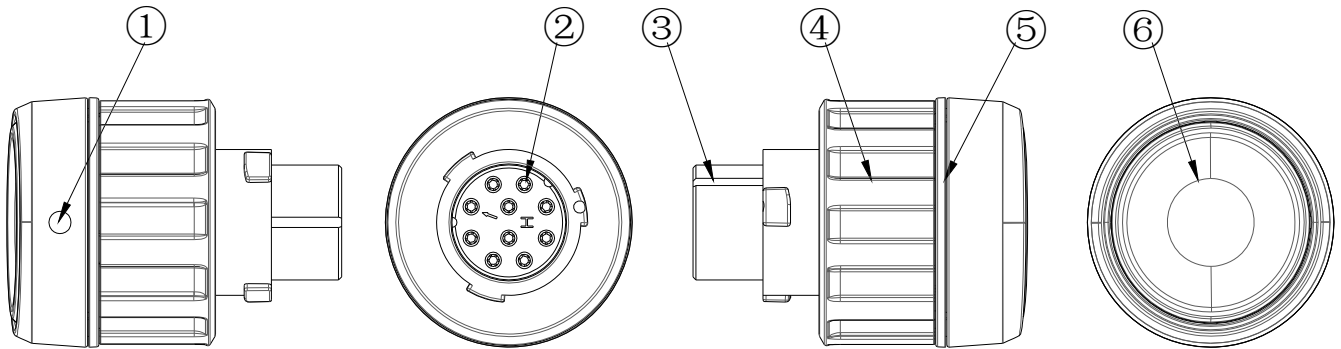
Wireless ring PTT mentioned in this manual is an optional accessory. Please contact us or your local dealer for details.

**C €2200**

## 2. Product Overview

This exquisite and low-powered wireless audio adapter is applicable to MD65X/MD78X conventional mobile radios with firmware version of V7.00.10.000 and above.

### 2.1 Product Controls



No.	Part Name	No.	Part Name
1	Indication Point	4	Lock Knob
2	POGO Pin	5	LED Indicator
3	Aviation Connector	6	PTT (Push-to-talk)/Multi-functional Key

### 2.2 LED Indicator

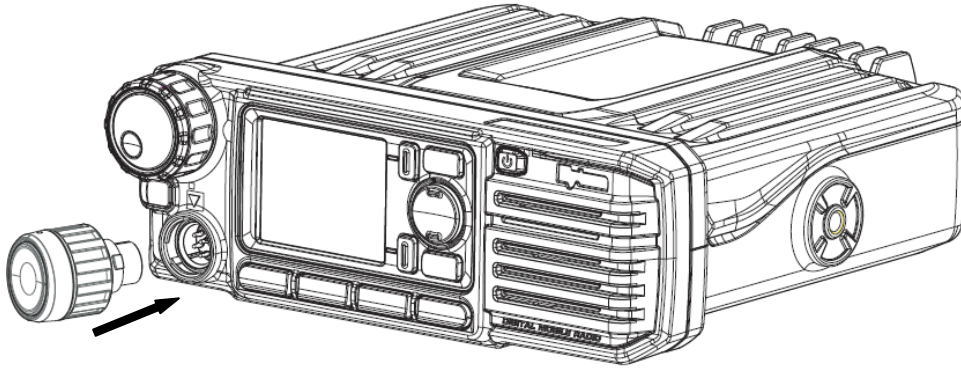
LED Indication	Wireless Audio Adapter Status
The LED indicator flashes red and blue alternatively.	Pairing
The LED Indicator glows red.	Transmitting
The LED indicator flashes blue twice rapidly.	Connected with no voice
The LED indicator flashes blue once rapidly.	Connected with voice
The LED indicator flashes blue slowly.	Paired but not connected

<b>LED Indication</b>	<b>Wireless Audio Adapter Status</b>
The LED Indicator glows blue.	Waiting for pairing and connection of the wireless ring PTT

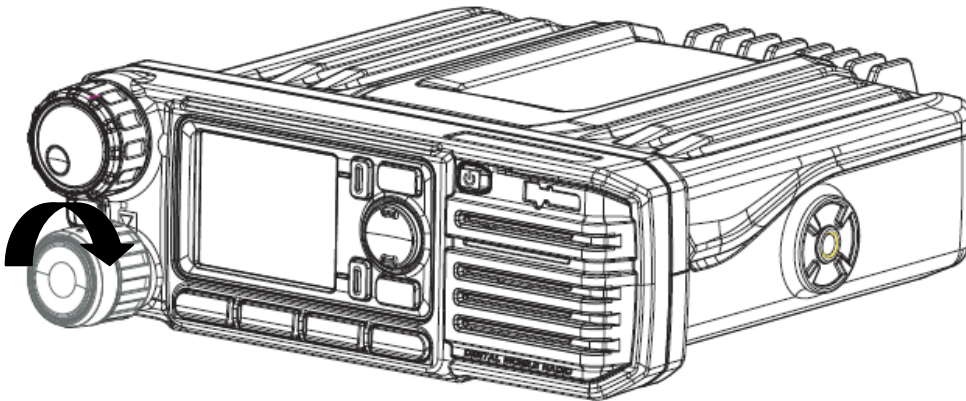
## 3. Before Use

### 3.1 Installing Wireless Audio Adapter

**Step 1** Make the indication point face upward, adjust the lock knob and fix the wireless audio adapter into the remote speaker microphone connector properly.



**Step 2** Rotate the lock knob clockwise to fasten it.



## 4. Basic Operations

### 4.1 Powering On/Off

#### Power On

Turn on the mobile radio.

The LED indicator flashes after the wireless audio adapter is powered on. Please refer to [2.2 LED Indicator](#) for details.

#### Power Off

Turn off the mobile radio.

### 4.2 Pairing with and Connecting to the Adapter

Pairing and connection involve the following situations. Please pair and connect the devices per actual needs before use. Afterwards, the devices will be connected automatically upon power-on.

Wireless Device mentioned in this manual can be the wireless devices of the Company or other companies, such as wireless earpiece, wireless remote speaker microphone, etc.



When the wireless audio adapter is connected to Wireless Device and wireless ring PTT, if any device needs to be changed, the devices must be connected again following the steps below.

#### 4.2.1 Using Wireless Audio Adapter with Wireless Device

- Step 1** Turn off other devices connected to wireless audio adapter and Wireless Device.
- Step 2** Turn on the mobile radio.
- Step 3** Long press the PTT/Multi-functional Key of the wireless audio adapter until the LED indicator flashes red and blue alternatively to enter pairing mode.
- Step 4** Wireless Device enters pairing mode.

After successful pairing, Wireless Device will be connected to the wireless audio adapter automatically. After successful connection, the LED indicator of the wireless audio adapter will glow blue (waiting for pairing and connection of wireless ring PTT). About three minutes later, the LED indicator of the wireless audio adapter will flash blue rapidly.



## 4.2.2 Using Wireless Audio Adapter with Wireless Device and Wireless Ring PTT

**Step 1** Turn off other devices connected to wireless audio adapter, Wireless Device and wireless ring PTT.

**Step 2** Turn off the wireless ring PTT.

**Step 3** Turn on the mobile radio.

**Step 4** Long press the PTT/Multi-functional Key of the wireless audio adapter until the LED indicator flashes red and blue alternatively to enter pairing mode.

**Step 5** Wireless Device enters pairing mode.

After successful pairing, Wireless Device will be connected to the wireless audio adapter automatically. After successful connection, the LED indicator of the wireless audio adapter will glow blue (waiting for pairing and connection of wireless ring PTT).

**Step 6** Long press the + key and – key of the wireless ring PTT until the LED indicator glows blue to enter pairing mode. After successful pairing, the wireless ring PTT will be connected to the wireless audio adapter automatically.

After successful connection, the LED indicators of the wireless audio adapter and the wireless ring PTT will flash blue rapidly.

## 4.2.3 Using Wireless Audio Adapter with Wireless Ring PTT

**Step 1** Turn off other devices connected to wireless audio adapter and wireless ring PTT.

**Step 2** Turn off the wireless ring PTT.

**Step 3** Turn on the mobile radio.

**Step 4** Long press the PTT/Multi-functional key of the wireless audio adapter until the LED indicator flashes red and blue alternatively, then short press the PTT/Multi-functional key for three times until the LED indicator glows blue to enter wireless ring PTT pairing mode.

**Step 5** Long press the + key and – key of the wireless ring PTT until the LED indicator glows blue to enter pairing mode.

After successful pairing, Wireless Device will be connected to the wireless audio adapter automatically. After successful connection, the LED indicators of the wireless audio adapter and the wireless ring PTT will flash blue rapidly.

## 4.3 Transmitting

Hold down the PTT/Multi-functional key of the wireless audio adapter to transmit.

## 5. Troubleshooting

Phenomena	Analysis	Solution
Fail to reconnect automatically.	The device may be out of communication range.	Make sure the device is within communication range and pair again. (Max communication distance is 10 meters when there is no obstacle. Communication distance will be shortened when there is obstacle.)
Noise in communication.		
LED indicator does not glow red when holding down the PTT key.	The device may be out of communication range.	Make sure the device is within communication range.

If the above solutions cannot fix your problems, or you may have some other queries, please contact us or your local dealer for more technical support.

## 6. Care and Cleaning

To guarantee optimal performance as well as a long service life of the product, please follow the tips below.

### Product Care

- Do not pierce or scrape the product.
- Keep the product far away from substances that can corrode the circuit.

### Product Cleaning

#### Caution

Turn of the wireless audio adapter before cleaning.

- Clean up the dust and fine particles on the product surface and charging piece with a clean and dry lint-free cloth or a brush regularly.
- Use neutral cleanser and a non-woven fabric to clean the keys and front case after long-time use. Do not use chemical preparations such as stain removers, alcohol, sprays or oil preparations, so as to avoid surface case damage.
- Make sure the product is completely dry before use.